



US00D701016S

(12) **United States Design Patent**
Rupp

(10) **Patent No.:** **US D701,016 S**
(45) **Date of Patent:** **** Mar. 18, 2014**

(54) **CHEESE IN FORM OF A TRIANGULAR PYRAMID**

(75) Inventor: **Ludwig Rupp**, Lochau (AT)

(73) Assignee: **Rupp AG** (AT)

(**) Term: **14 Years**

(21) Appl. No.: **29/414,573**

(22) Filed: **Feb. 29, 2012**

D94,174	S	*	12/1934	Vogt	D9/714
2,819,167	A	*	1/1958	Irmscher	426/83
2,952,394	A	*	9/1960	Schneider	229/113
2,992,829	A	*	7/1961	Hopkins	273/157 R
D192,941	S	*	5/1962	Schneider	D9/707
3,032,251	A	*	5/1962	Jarund	229/116
3,074,612	A	*	1/1963	Schneider	426/85
D199,935	S	*	12/1964	Dykes	D9/707
3,223,532	A	*	12/1965	Pinkalla et al.	426/602
3,347,363	A	*	10/1967	Dykes et al.	206/436
3,379,360	A	*	4/1968	Crossley	383/66
3,404,988	A	*	10/1968	Rausing	426/115

(Continued)

Related U.S. Application Data

(62) Division of application No. 29/363,465, filed on Jun. 9, 2010.

Foreign Application Priority Data

Dec. 10, 2009 (EM) 001184956-0001

(51) **LOC (10) Cl.** **01-01**

(52) **U.S. Cl.**
USPC **D1/101**

(58) **Field of Classification Search**

USPC D1/100-199; D7/602, 672-677;
D28/88, 8.1; D11/33, 63, 67, 70, 84,
D11/108, 115, 103, 56, 49, 82, 134, 157,
D11/158; D21/803, 386; D24/101, 104;
D19/42; D30/160; 273/261; 426/76,
426/87, 89, 90, 91, 92, 100, 101, 103, 104,
426/105, 132, 134, 138, 139, 421, 515, 122,
426/144, 660, 512, 393, 635, 805, 94-95,
426/128, 293, 383, 438-439, 446, 450,
426/502-504, 516, 543, 549-550, 556, 249,
426/250, 802

See application file for complete search history.

(56) **References Cited**

U.S. PATENT DOCUMENTS

D14,842 S * 3/1884 Griscom, Jr. D24/100

FOREIGN PATENT DOCUMENTS

EP	0482574	*	4/1992
EP	0577989	*	1/1994
JP	61105664	*	6/1998

Primary Examiner — Barbara Fox

(74) *Attorney, Agent, or Firm* — Workman Nydegger

(57) **CLAIM**

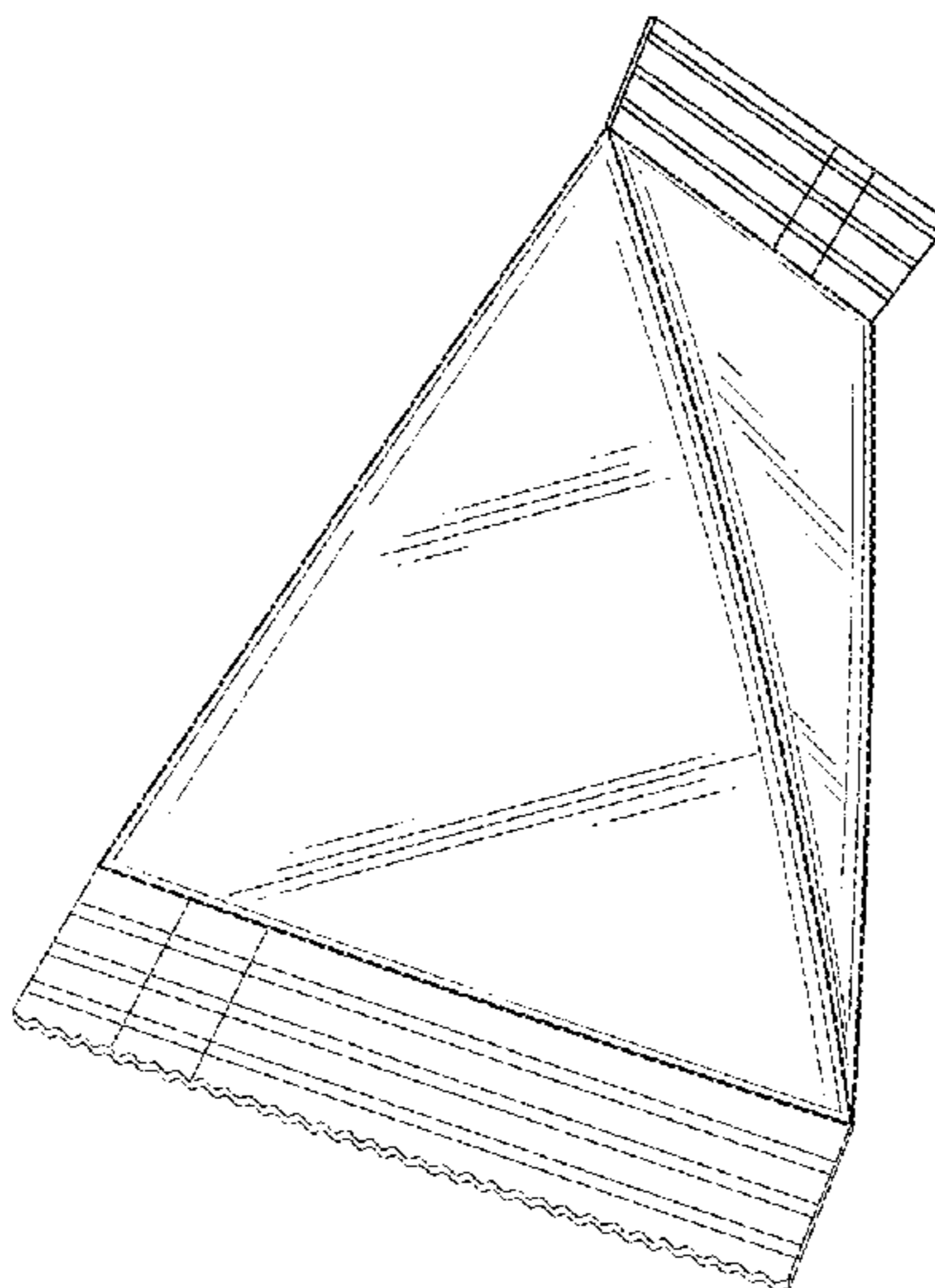
The ornamental design for cheese in form of a triangular pyramid, as shown and described.

DESCRIPTION

FIG. 1 is a perspective view of cheese in form of a triangular pyramid showing the new design;
FIG. 2 is another perspective view thereof;
FIG. 3 is another perspective view thereof;
FIG. 4 is a front elevational view thereof;
FIG. 5 is a rear elevational view thereof;
FIG. 6 is a top view thereof;
FIG. 7 is another front view thereof; and,
FIG. 8 is a right side view thereof.

The broken lines shown in the drawings represent portions of the cheese in form of a triangular pyramid which form no part of the claimed design.

1 Claim, 4 Drawing Sheets



(56)

References Cited

U.S. PATENT DOCUMENTS

3,420,366	A *	1/1969	Doyle	206/436	D368,152	S *	3/1996	Cahill et al.	D1/199
3,648,319	A *	3/1972	Mitchell	15/118	5,690,331	A *	11/1997	Sides	273/146
3,659,360	A *	5/1972	Zeischegg	434/403	D412,537	S *	8/1999	Underwood	D21/373
3,662,486	A *	5/1972	Freedman	446/120	D414,903	S *	10/1999	Baiera et al.	D30/160
3,734,388	A *	5/1973	Hopkins	383/210	D427,260	S *	6/2000	Burr	D21/684
3,791,570	A *	2/1974	Hopkins	383/210	D432,011	S *	10/2000	Millon	D9/697
3,887,190	A *	6/1975	Ameri	273/264	6,214,392	B1 *	4/2001	Ramirez	426/106
3,923,238	A *	12/1975	Thomas	229/198.2	6,629,603	B1 *	10/2003	Fontaine	206/438
3,925,959	A *	12/1975	Dykes et al.	53/451	6,735,809	B2 *	5/2004	Parks	15/118
4,334,871	A *	6/1982	Roane	434/211	D497,238	S *	10/2004	Maniak	D1/129
4,515,370	A *	5/1985	Garcia	273/258	7,247,075	B2 *	7/2007	von Oech	446/92
4,659,086	A *	4/1987	Colborne	273/242	D639,016	S *	6/2011	Rea et al.	D1/199
4,723,382	A *	2/1988	Lalvani	52/81.1	7,967,510	B2 *	6/2011	Martuch	383/207
5,026,068	A *	6/1991	Weisser	273/241	D644,101	S *	8/2011	Caldwell et al.	D9/430
5,076,793	A *	12/1991	Aghevli et al.	434/196	8,408,793	B2 *	4/2013	Martuch	383/207
5,188,285	A *	2/1993	Nilsson et al.	229/242	2005/0158442	A1 *	7/2005	Westermann et al.	426/582
5,249,966	A *	10/1993	Hiiigli	434/211	2006/0034551	A1 *	2/2006	Linneweil	383/61.2
5,409,235	A *	4/1995	Ameri	273/242	2008/0037912	A1 *	2/2008	Martuch	383/205
D367,672	S *	3/1996	Hahn	D19/49	2009/0263546	A1 *	10/2009	Rea et al.	426/83
					2010/0176007	A1 *	7/2010	Rea et al.	206/5
					2012/0273560	A1 *	11/2012	Rupp	229/87.05

* cited by examiner

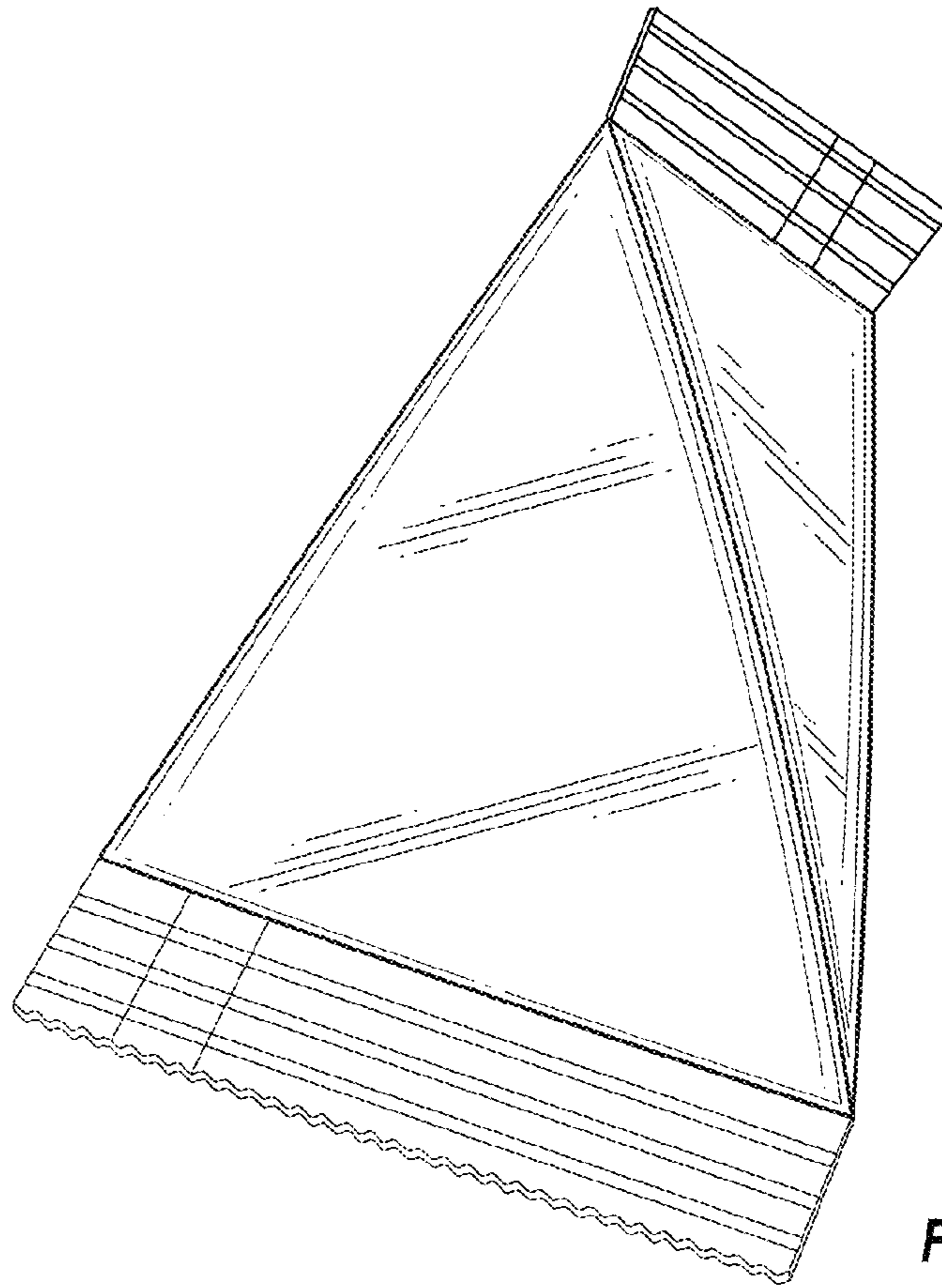


FIG. 1

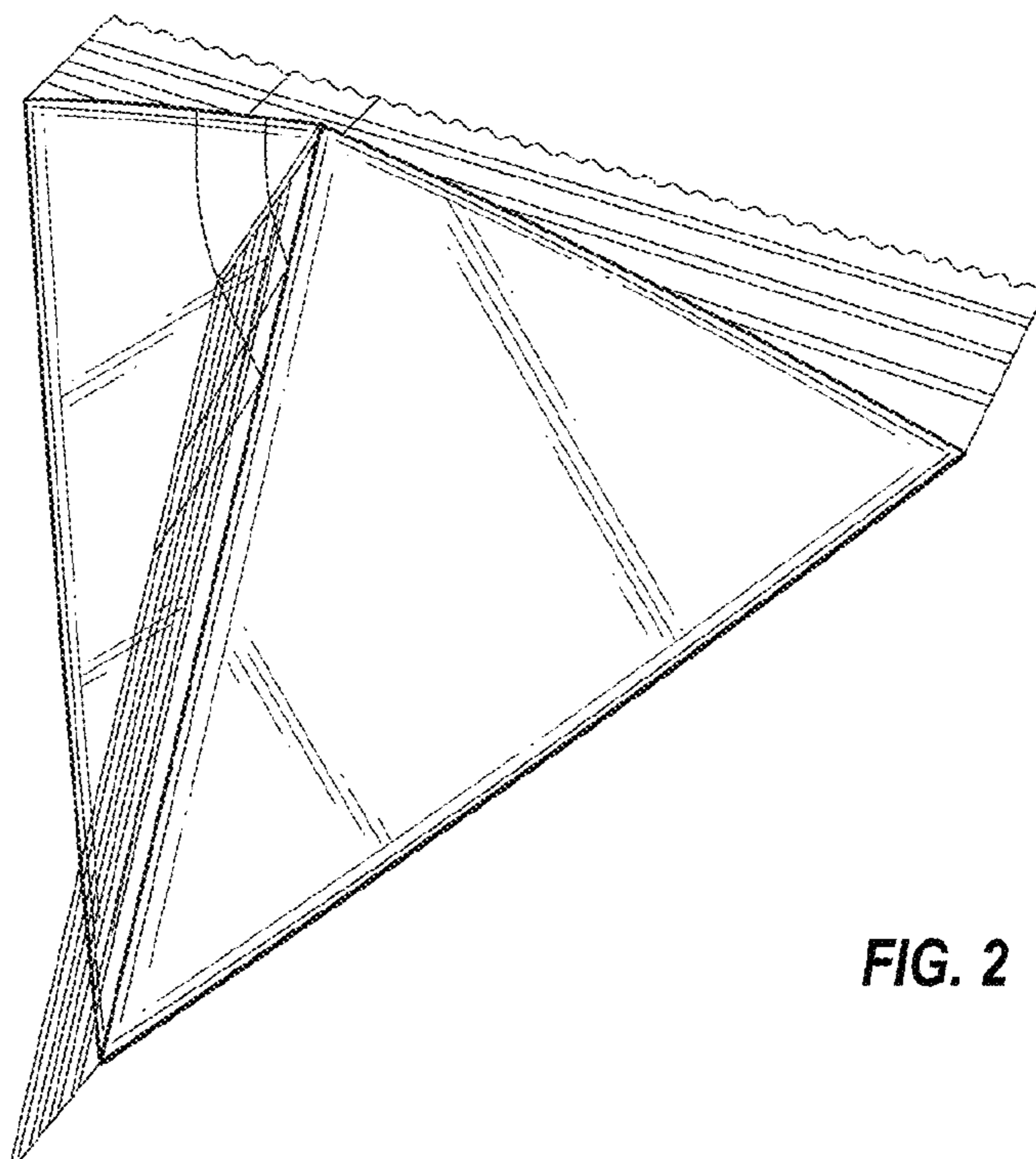


FIG. 2

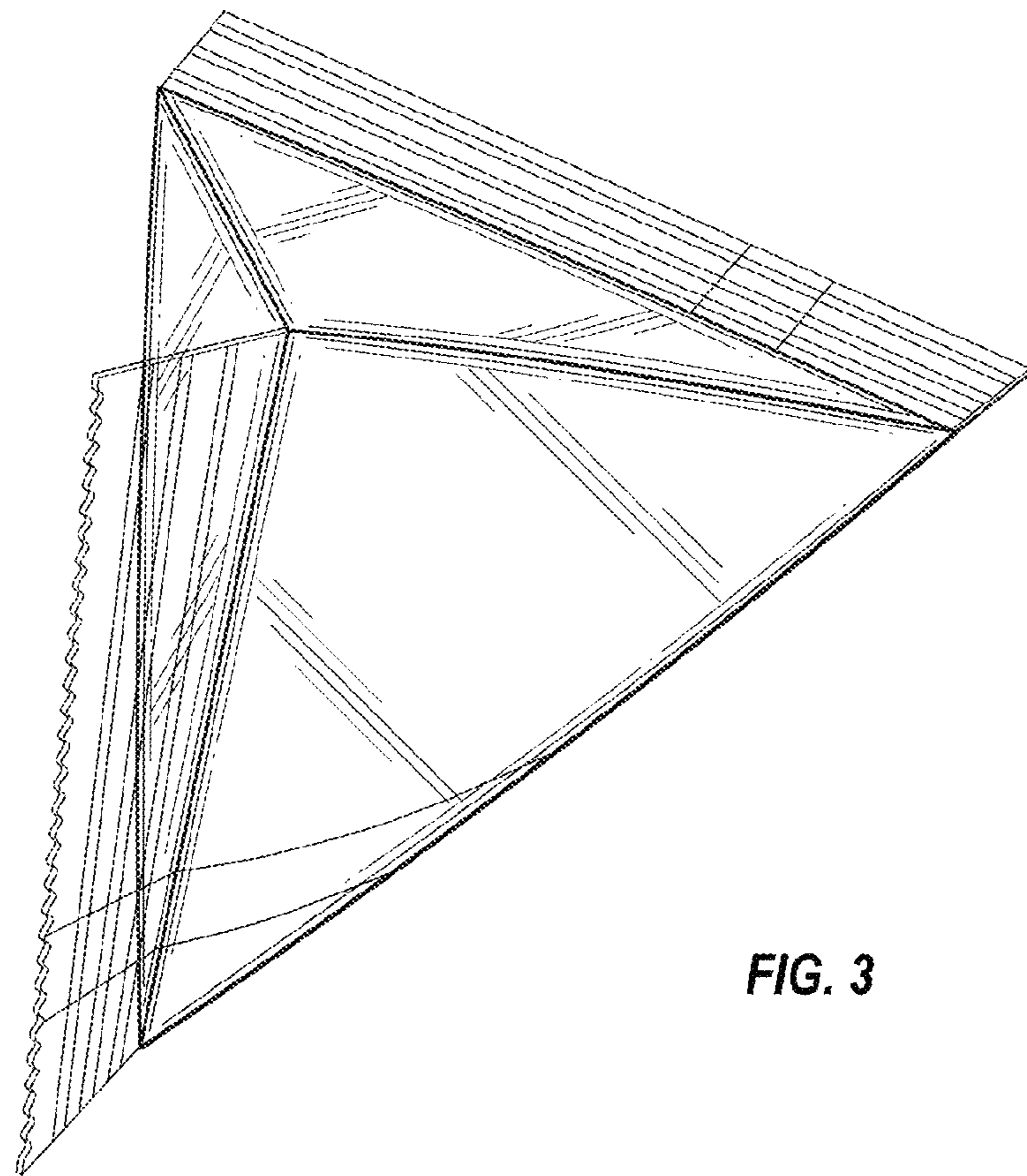


FIG. 3

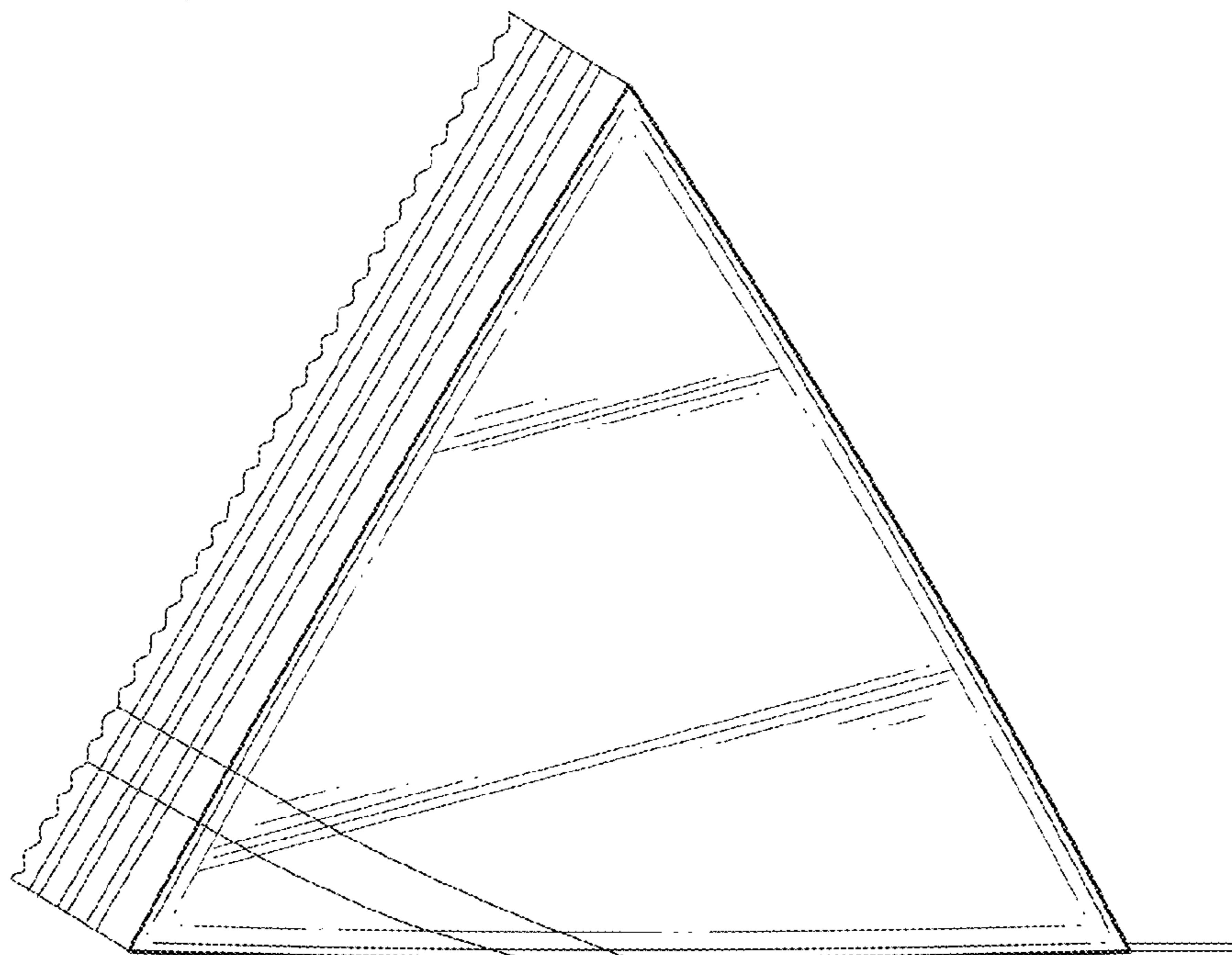


FIG. 4

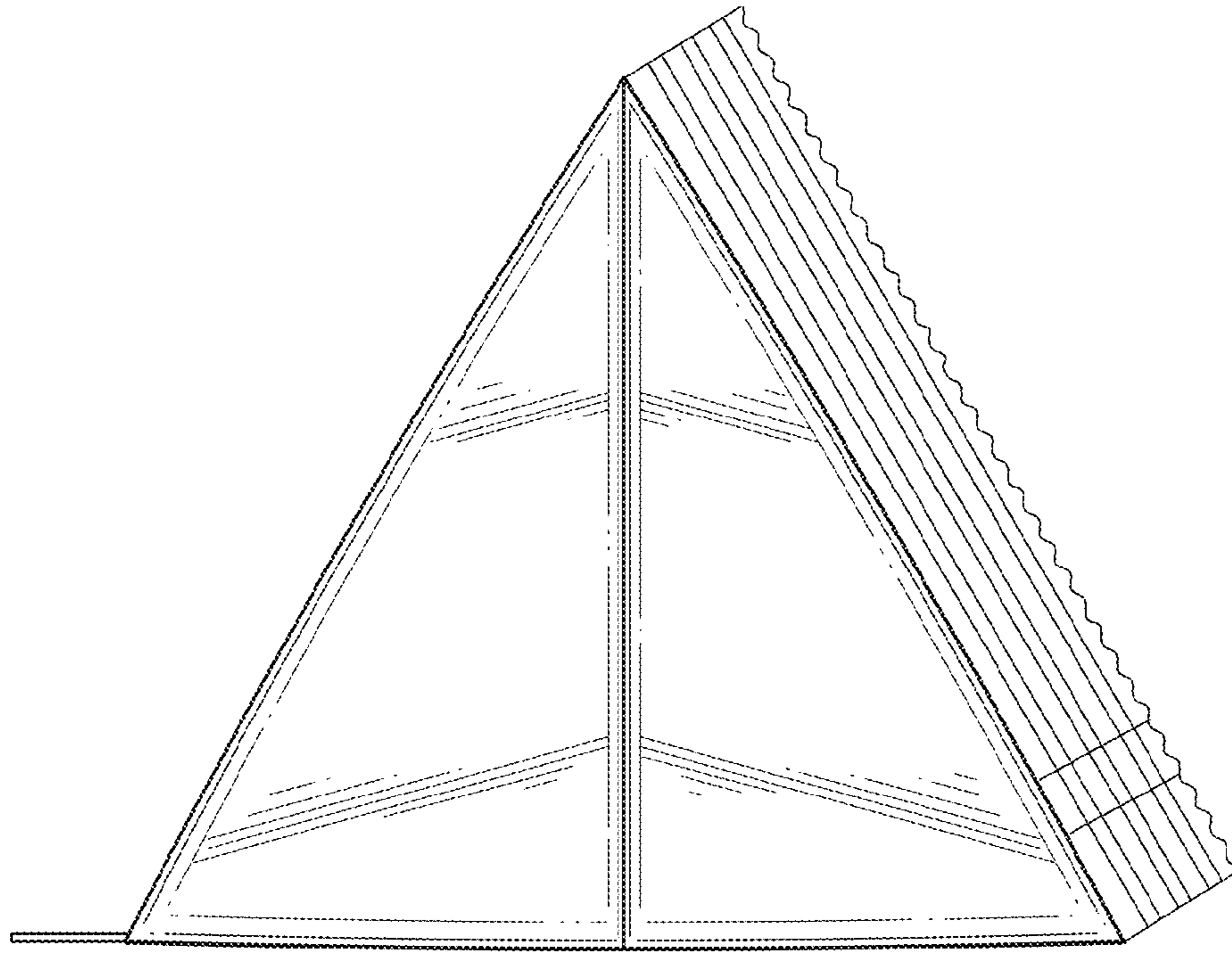


FIG. 5

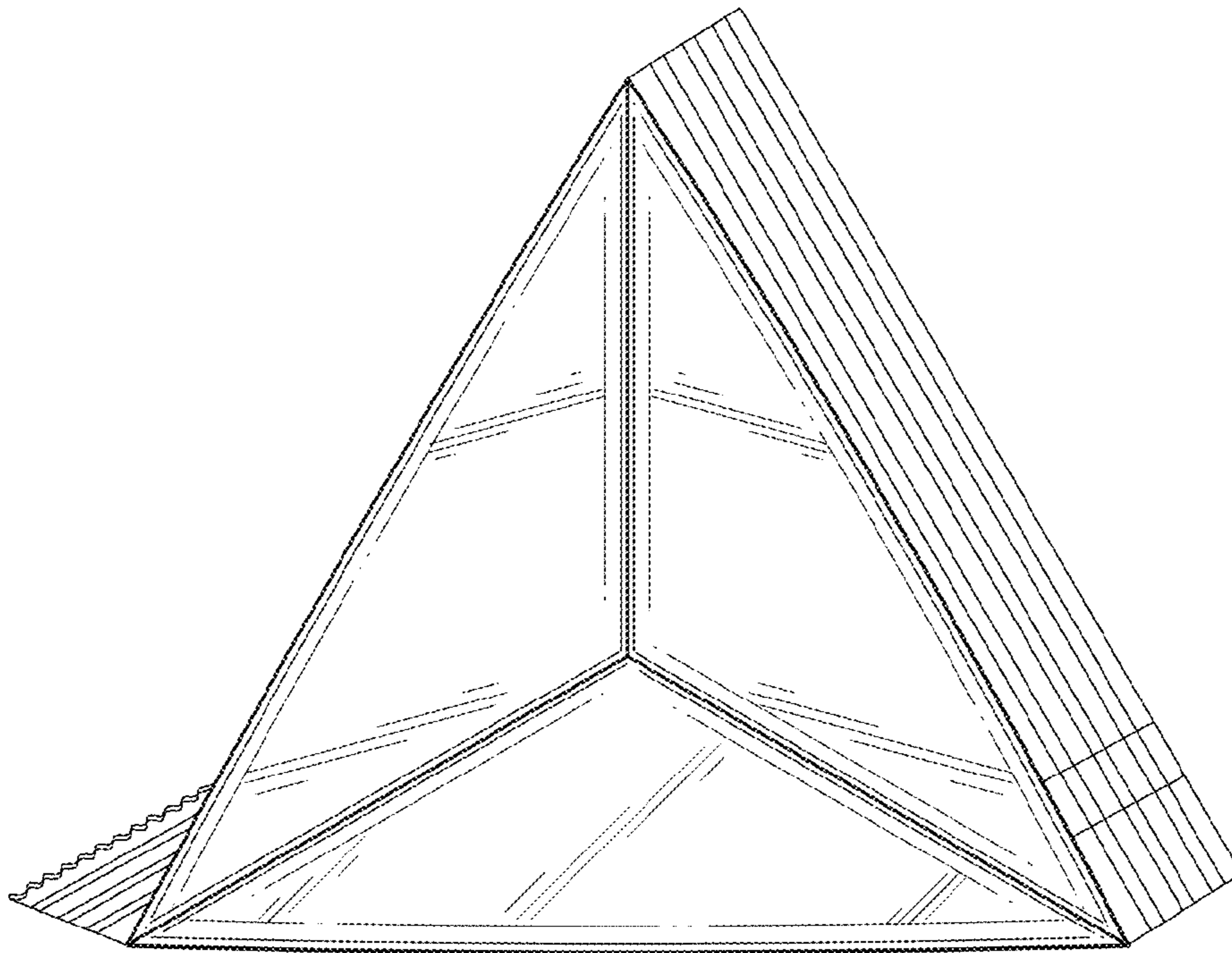


FIG. 6

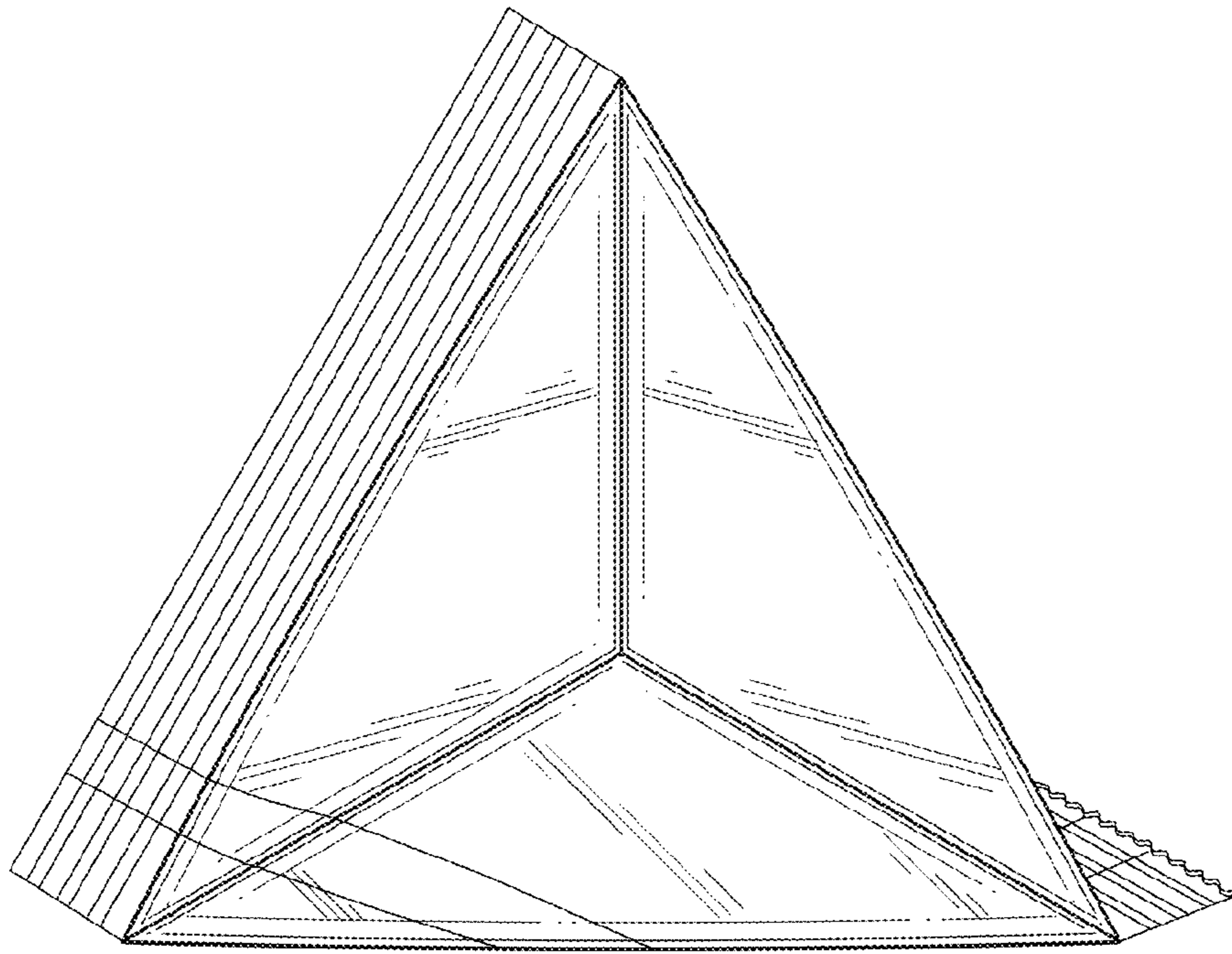


FIG. 7

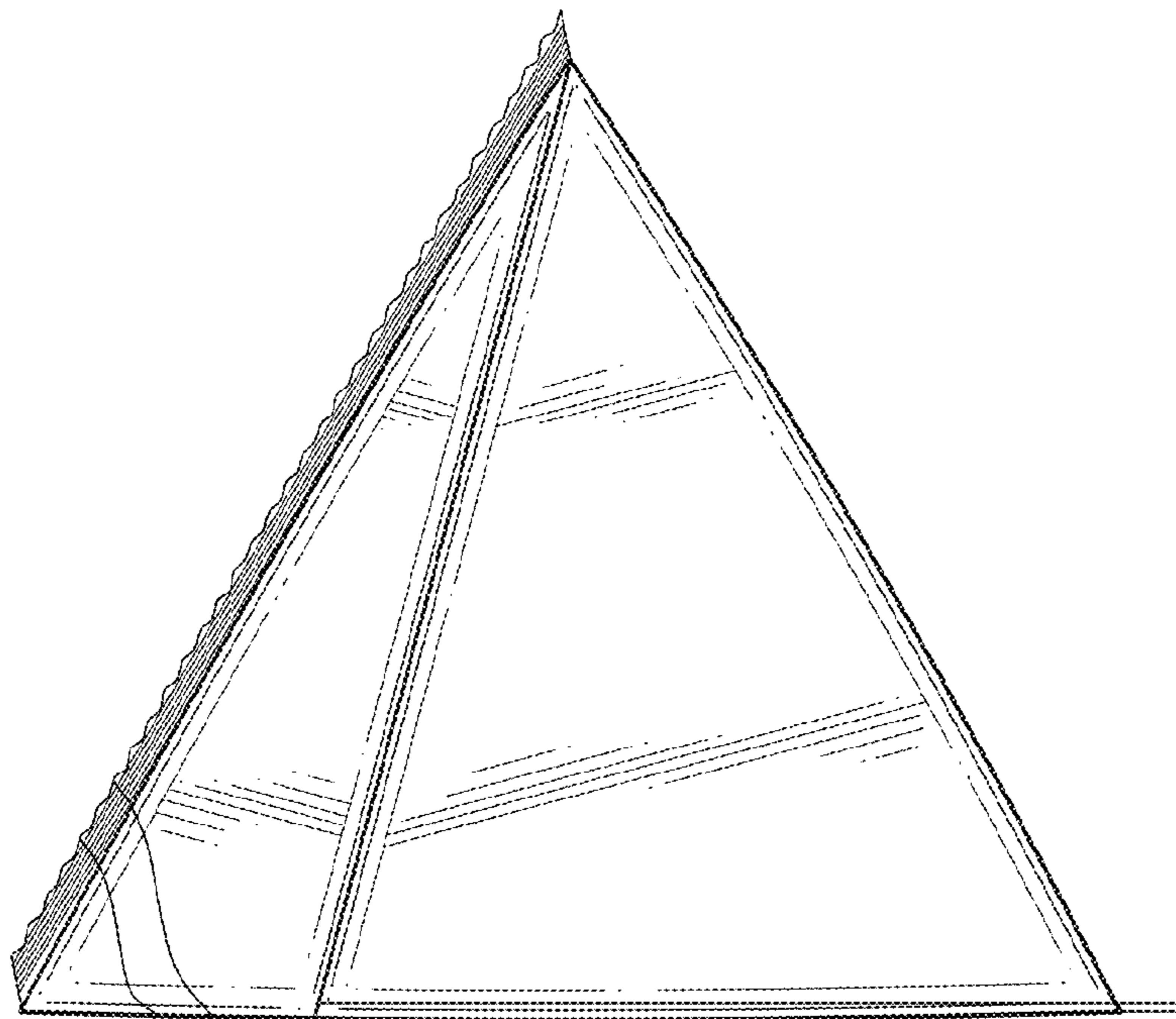


FIG. 8