



US00D701015S

(12) **United States Design Patent**
Specht

(10) **Patent No.:** **US D701,015 S**
(45) **Date of Patent:** **** Mar. 11, 2014**

(54) **CONVEYOR**

(71) Applicant: **D'Artecon Sagl**, Arcegnò (CH)

(72) Inventor: **Dieter Specht**, Arcegnò (CH)

(73) Assignee: **D'Artecon Sagl**, Arcegnò (CH)

(**) Term: **14 Years**

(21) Appl. No.: **29/438,386**

(22) Filed: **Nov. 29, 2012**

(30) **Foreign Application Priority Data**

May 30, 2012 (WO) DM/078 464

(51) **LOC (10) Cl.** **09-02**

(52) **U.S. Cl.**
USPC **D34/29**

(58) **Field of Classification Search**
USPC D34/29, 35; D25/119, 120, 123, 124,
D25/125; 52/800.12; 198/851, 837, 838;
D8/349

See application file for complete search history.

(56) **References Cited**

U.S. PATENT DOCUMENTS

D238,510 S *	1/1976	Tabler	D34/29
D305,366 S *	1/1990	Ripley	D25/119
D345,427 S *	3/1994	Moss et al.	D25/119
D464,783 S *	10/2002	Abbestam	D34/29
D549,996 S *	9/2007	Guiles et al.	D6/495
D635,692 S *	4/2011	Wirthgen	D25/119
D655,884 S *	3/2012	Spies et al.	D34/35
D660,544 S *	5/2012	Onayama	D34/29
D673,343 S *	12/2012	Thiele	D34/29

* cited by examiner

Primary Examiner — Cynthia Ramirez

(74) *Attorney, Agent, or Firm* — Young & Thompson

(57) **CLAIM**

The ornamental design for a conveyor, as shown and described.

DESCRIPTION

FIG. 1 is a top plan view of a first embodiment of a conveyor showing the new design;

FIG. 2 is a top plan view of a second embodiment of a conveyor showing the new design;

FIG. 3 is a bottom plan view of the first embodiment of a conveyor showing the new design;

FIG. 4 is a bottom plan view of the second embodiment of a conveyor showing the new design;

FIG. 5 is a side elevation view of the first embodiment of a conveyor showing the new design;

FIG. 6 is a side elevation view of the second embodiment of a conveyor showing the new design; and,

FIG. 7 is an opposite side elevation view of the first embodiment of a conveyor showing the new design as compared to FIG. 5;

FIG. 8 is an opposite side elevation view of the second embodiment of a conveyor showing the new design as compared to FIG. 6;

FIG. 9 is rear elevation view of the first embodiment of a conveyor showing the new design;

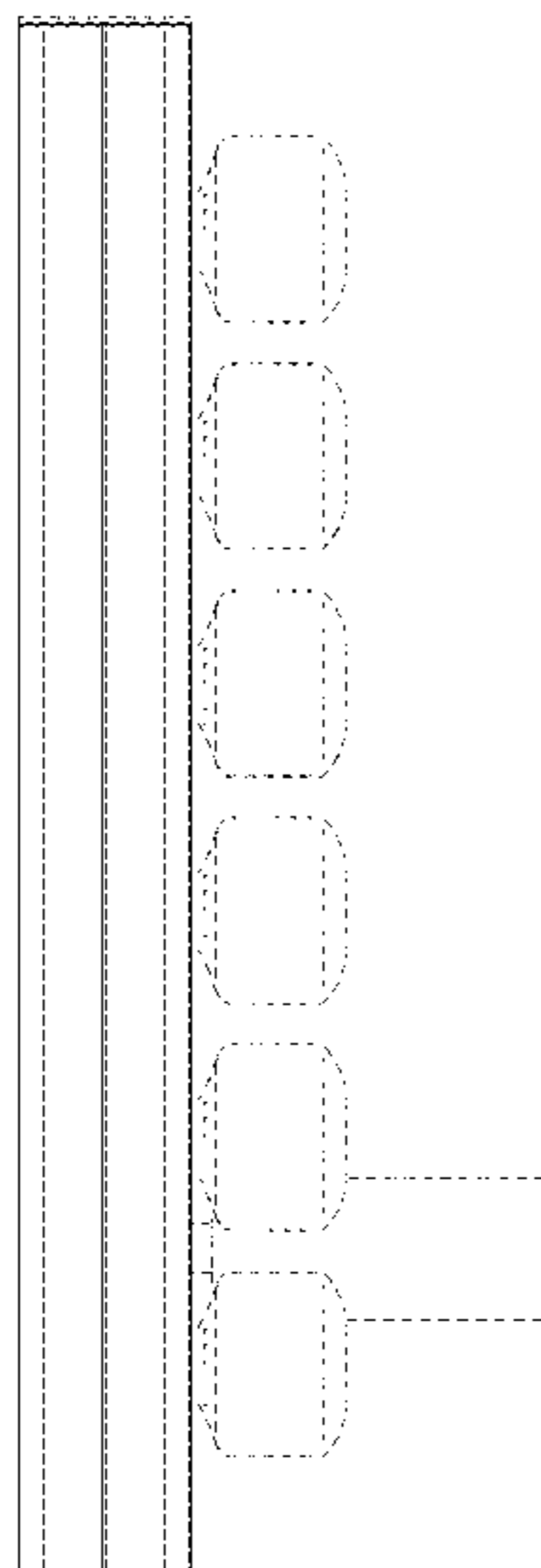
FIG. 10 is rear elevation view of the second embodiment of a conveyor showing the new design;

FIG. 11 is a rear, side, and top perspective view of the first embodiment of a conveyor showing the new design; and,

FIG. 12 is a front, side, and top perspective view of the second embodiment of a conveyor showing the new design.

The broken lines shown in the figures illustrate environmental structure only and form no part of the claimed design.

1 Claim, 5 Drawing Sheets



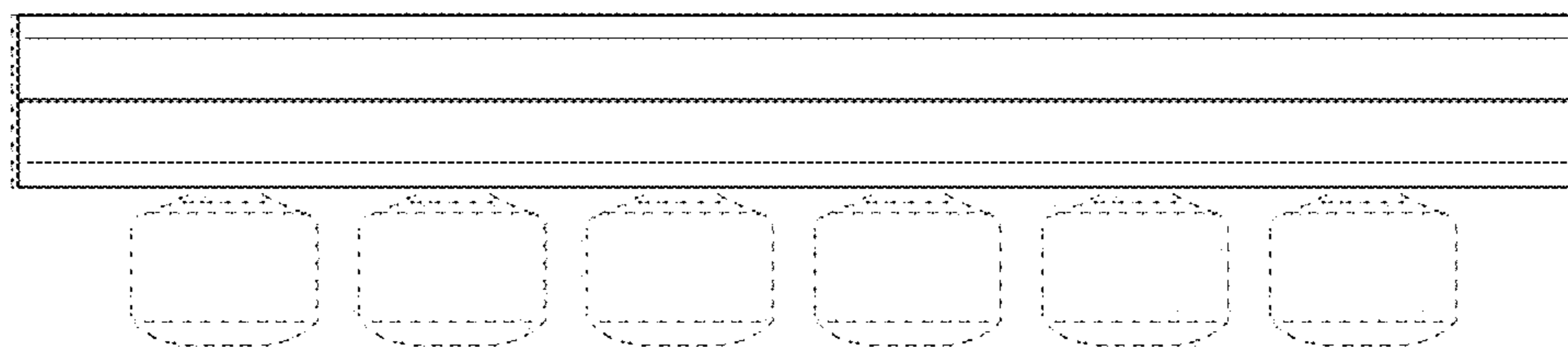


Fig. 2

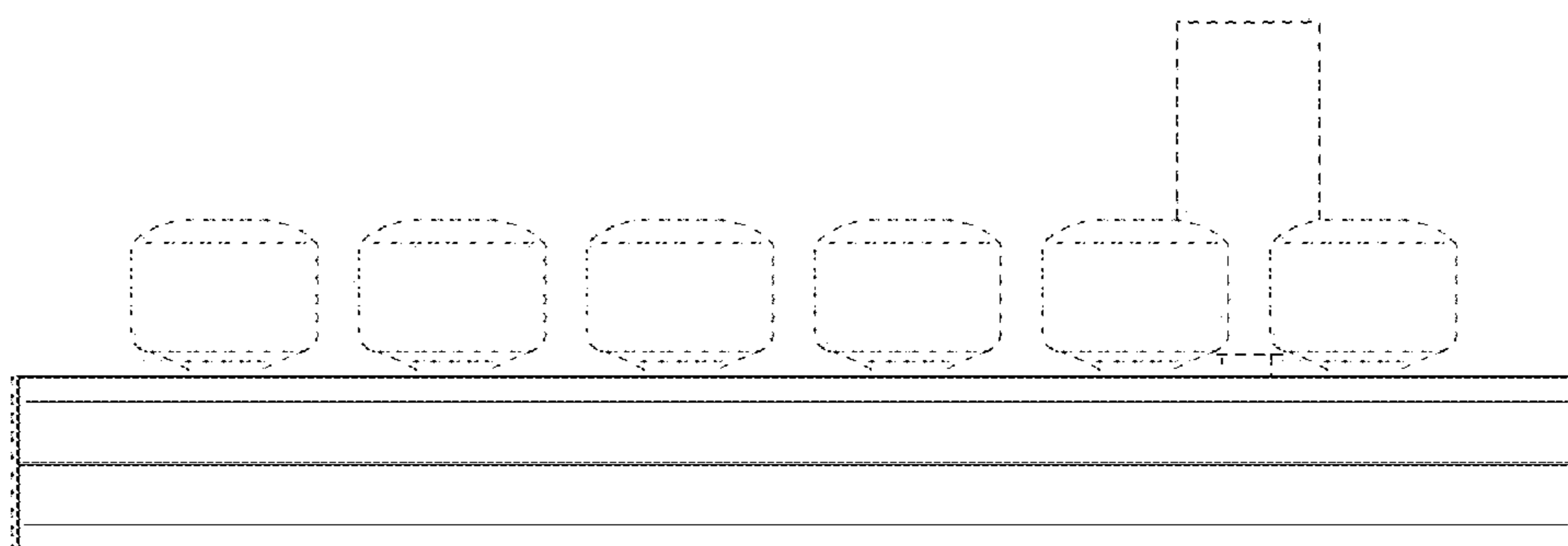


Fig. 1

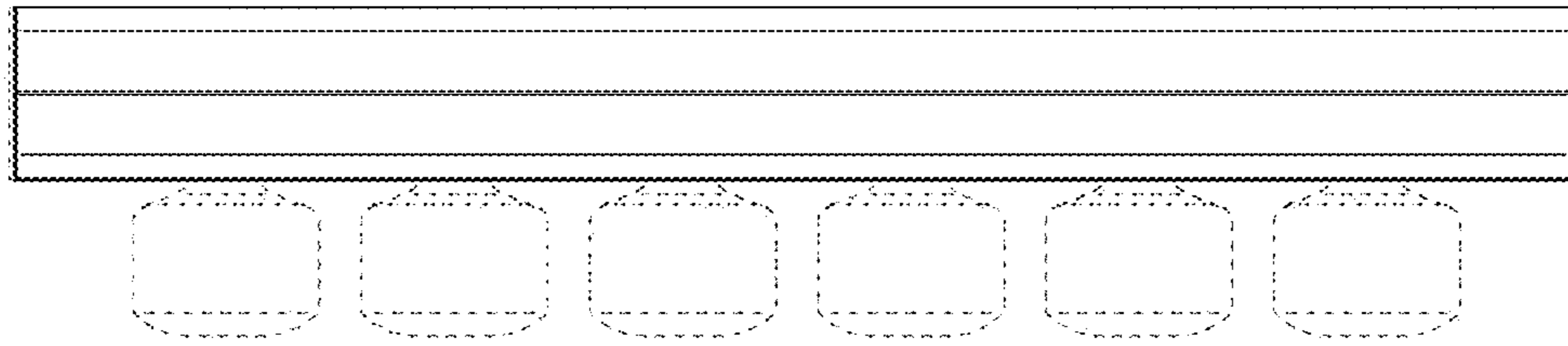


Fig. 3

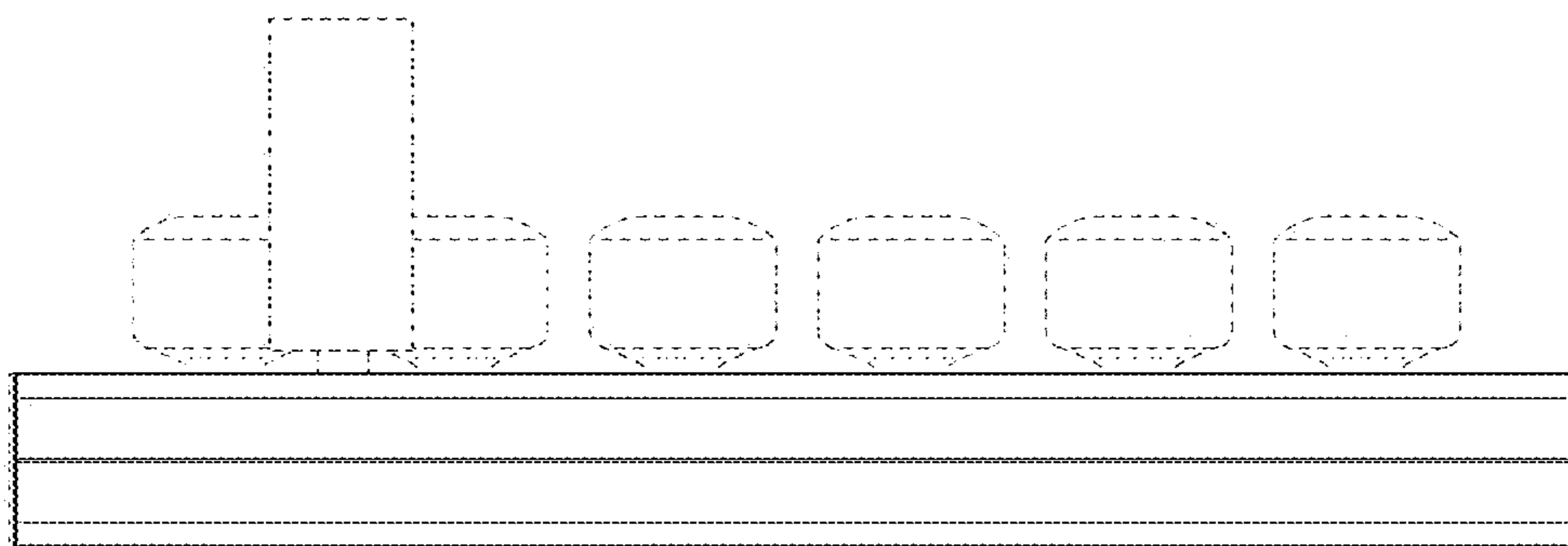


Fig. 4

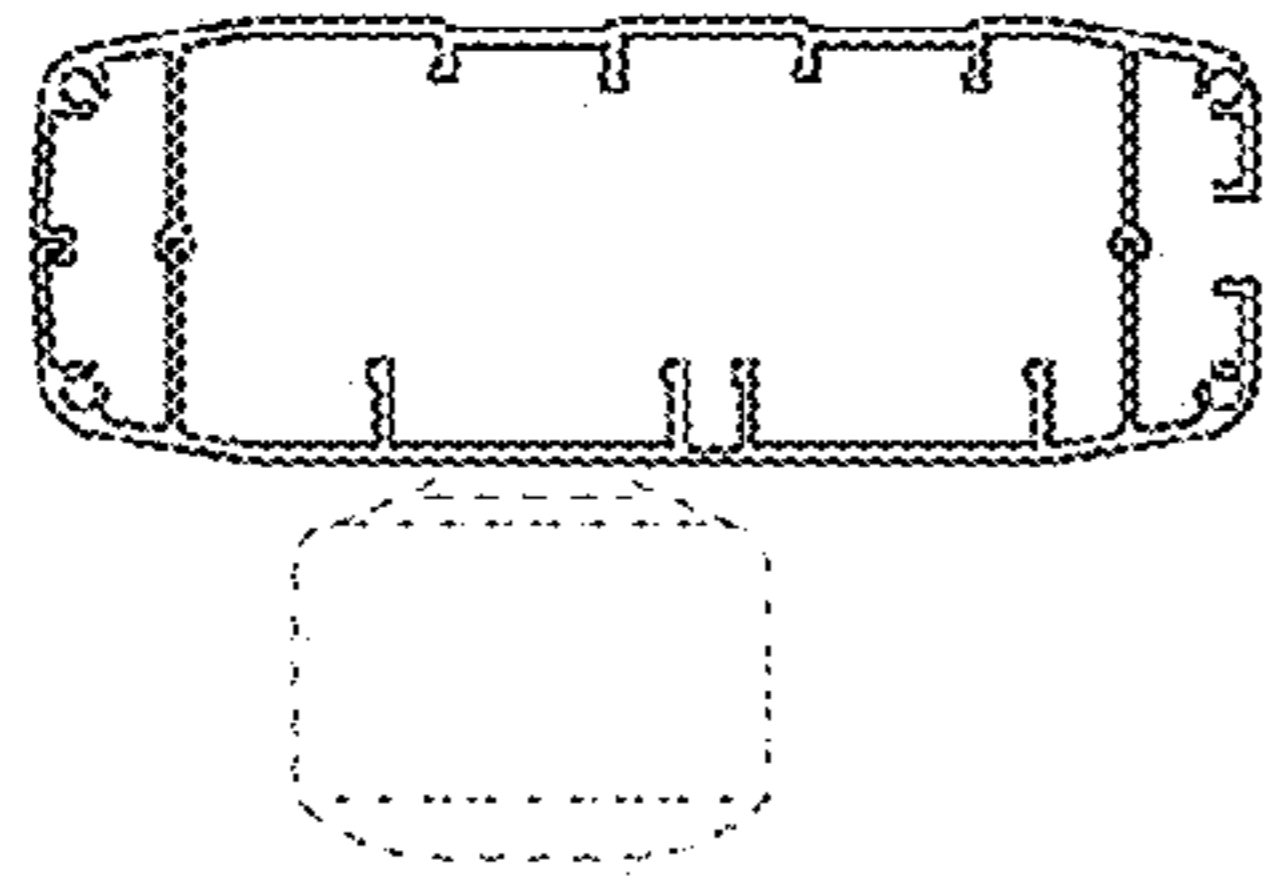


Fig. 5

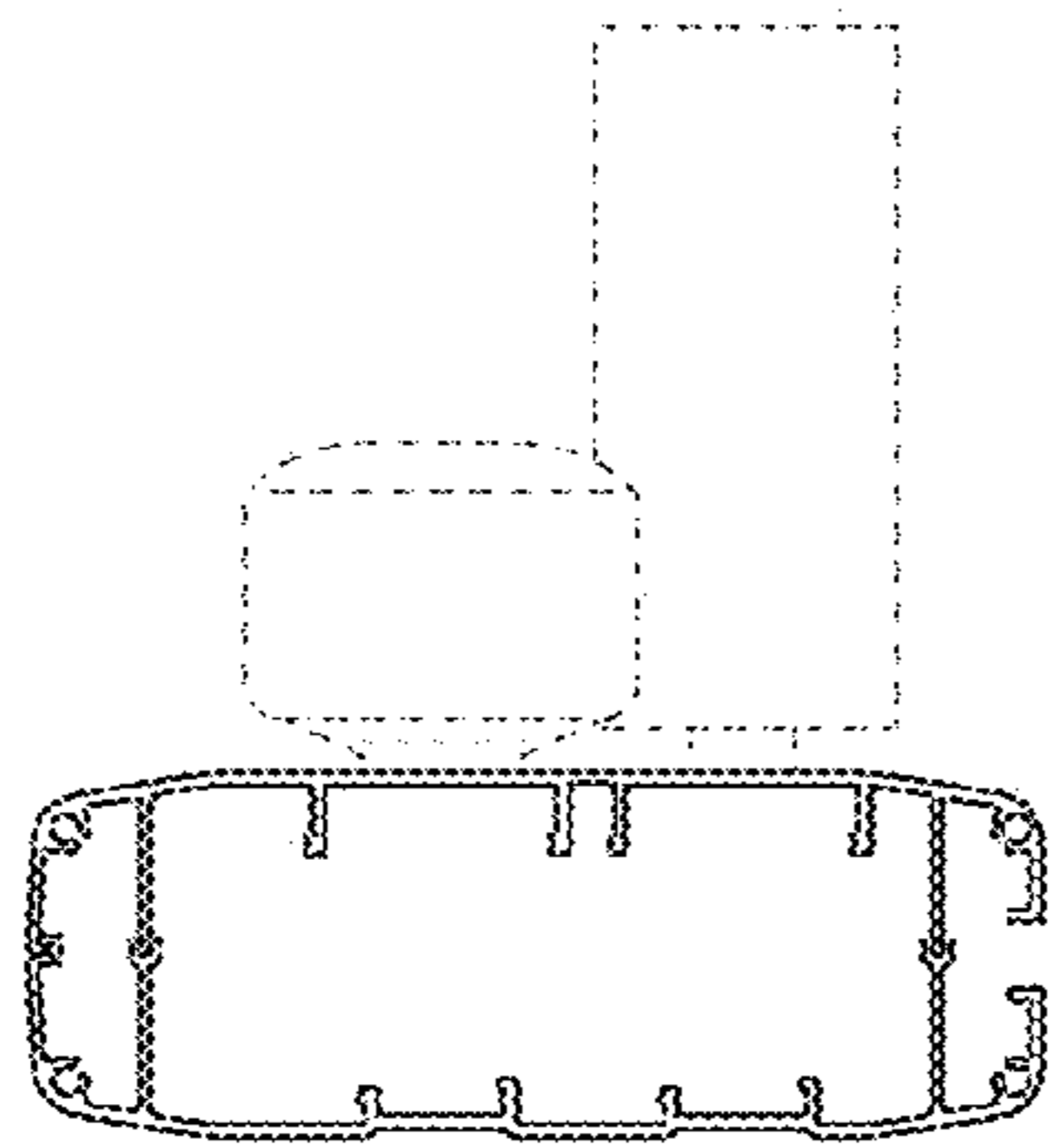


Fig. 6

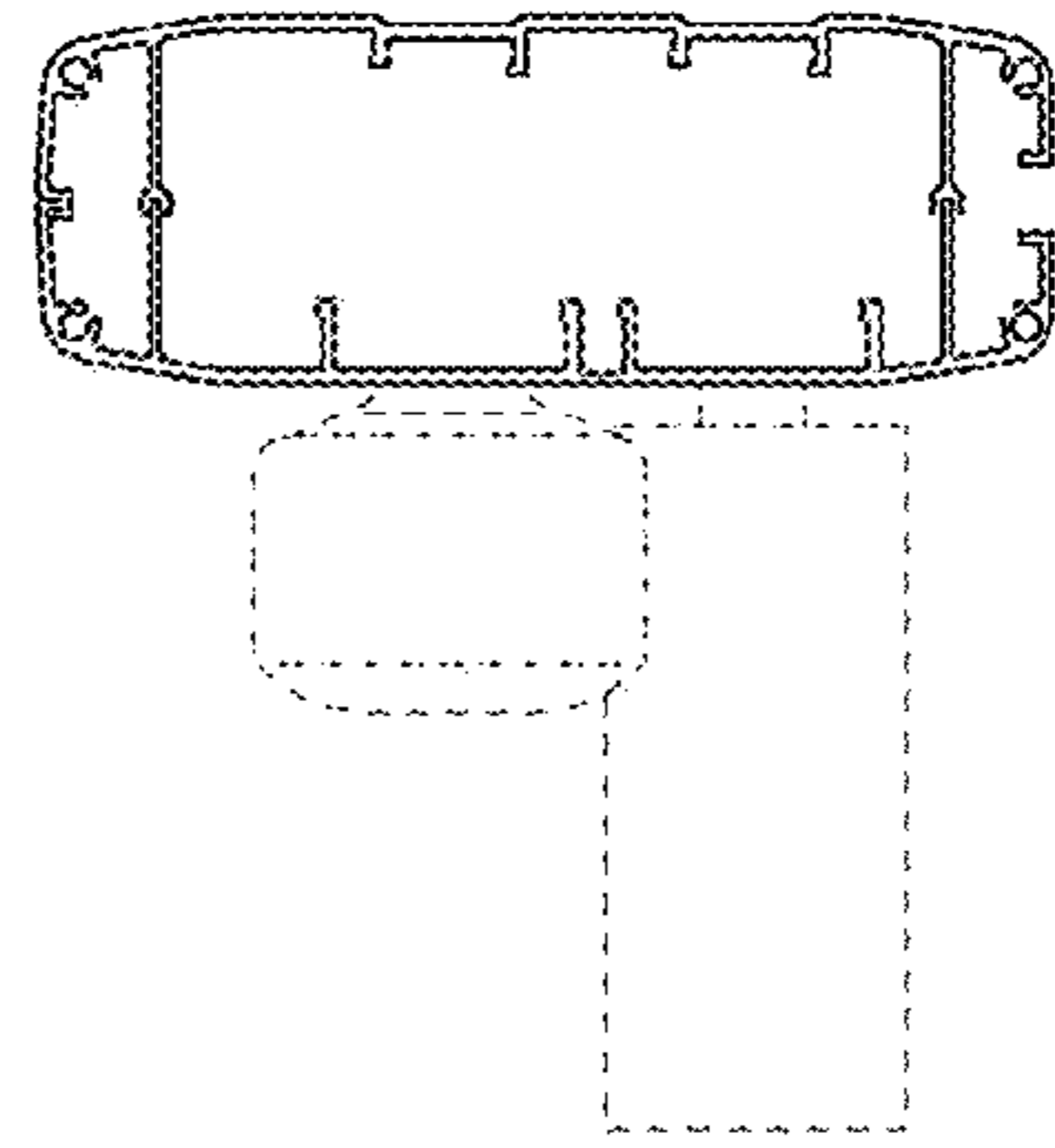


Fig. 7

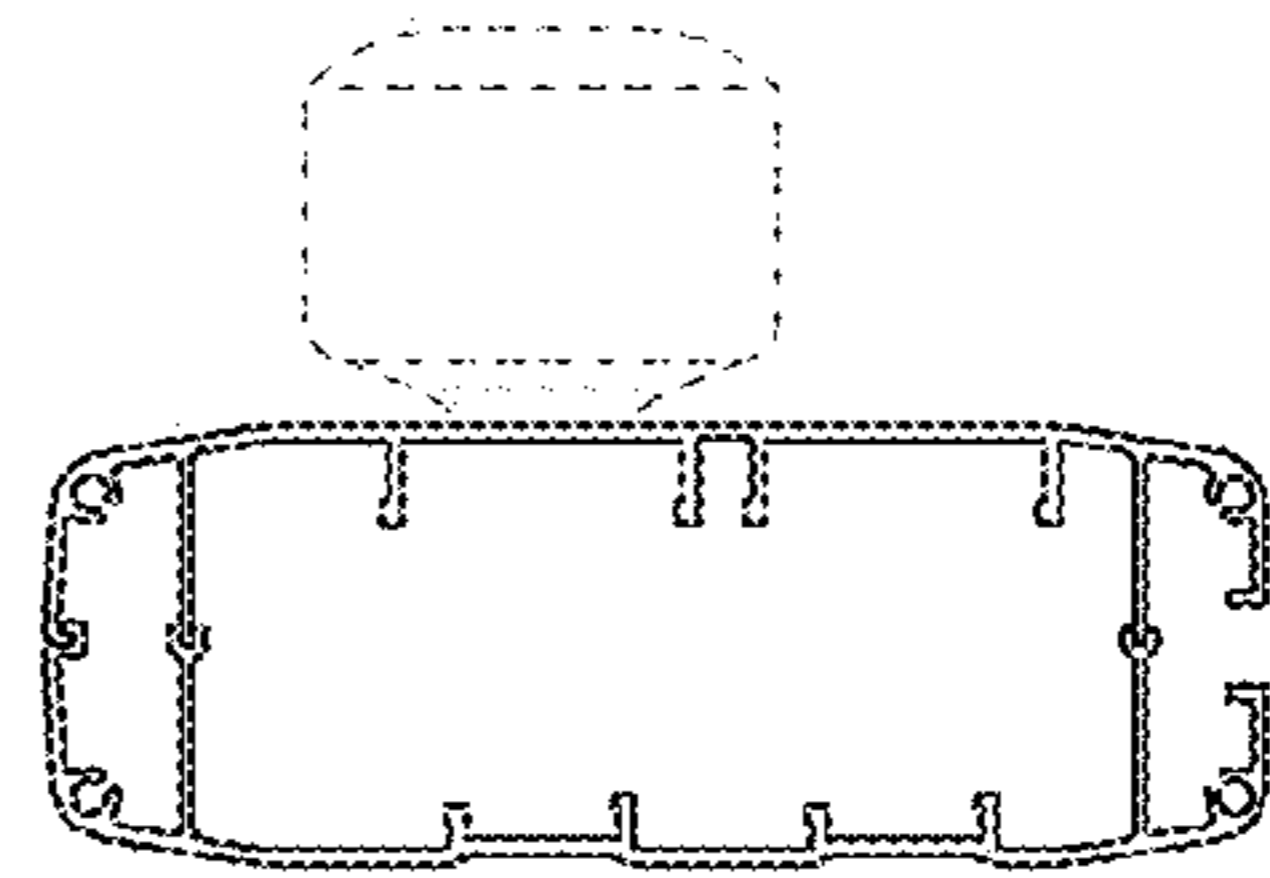


Fig. 8

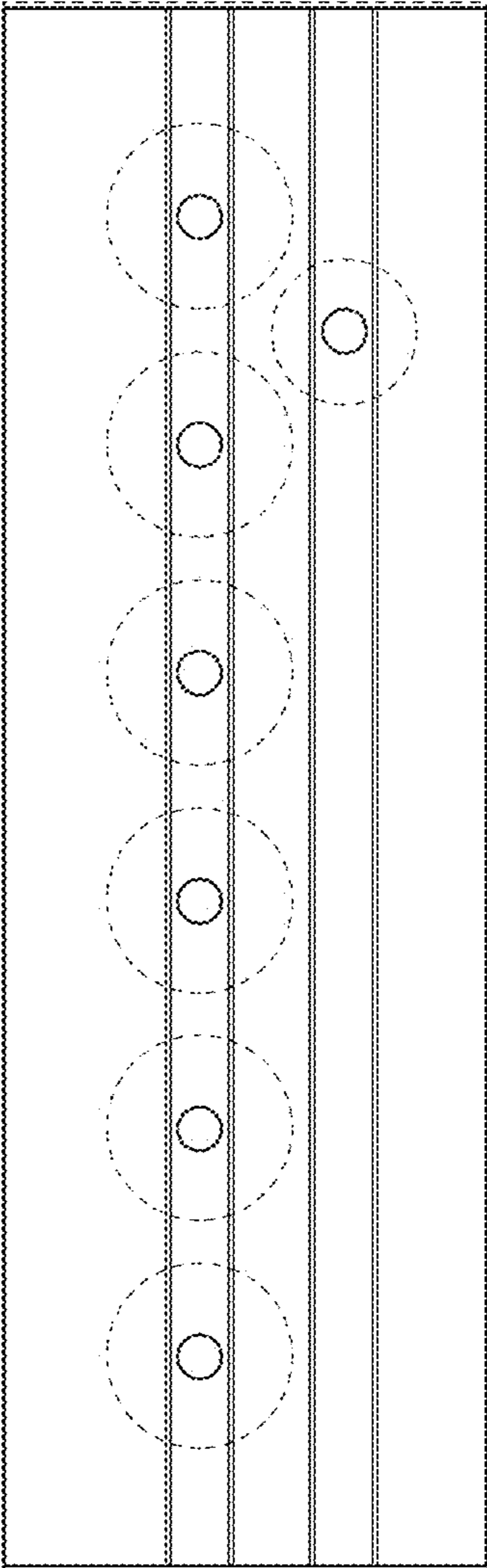


Fig. 9

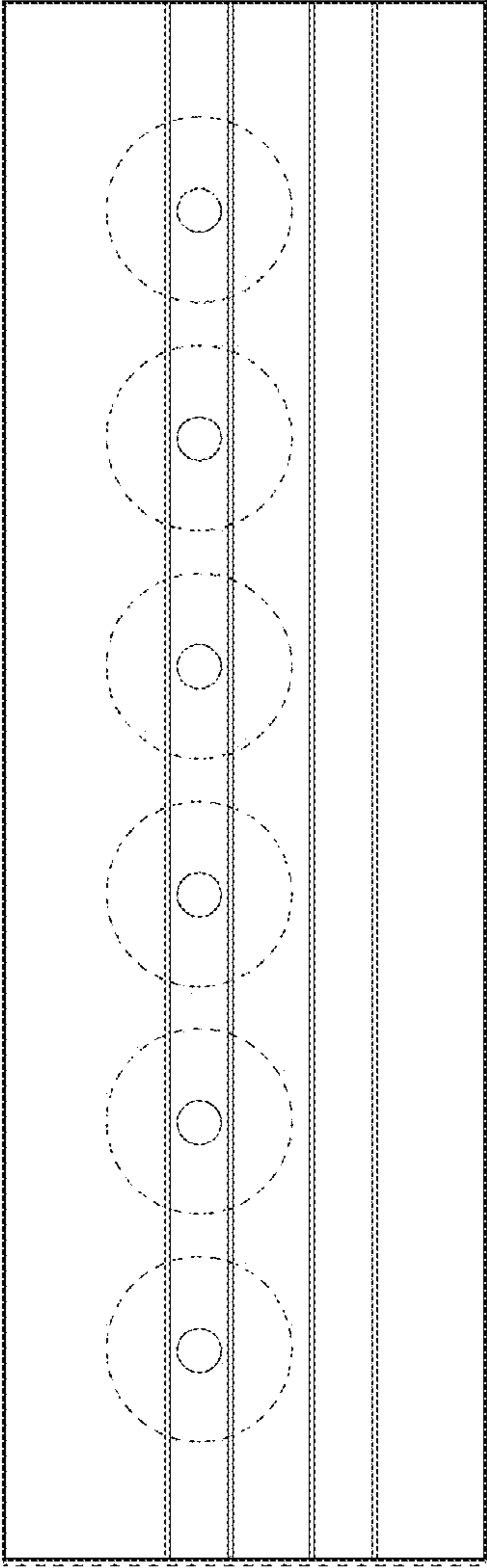


Fig. 10

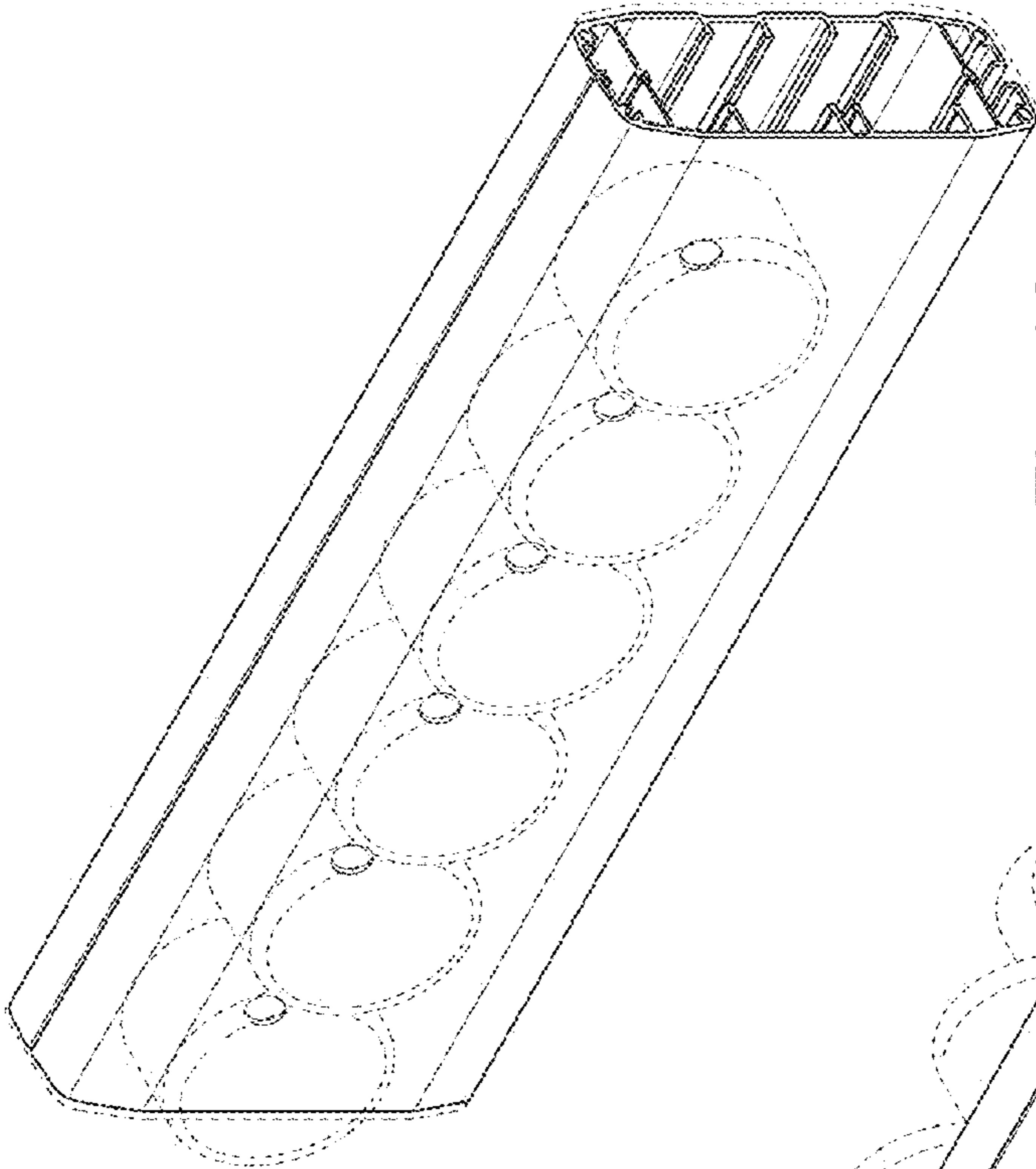


Fig. 12

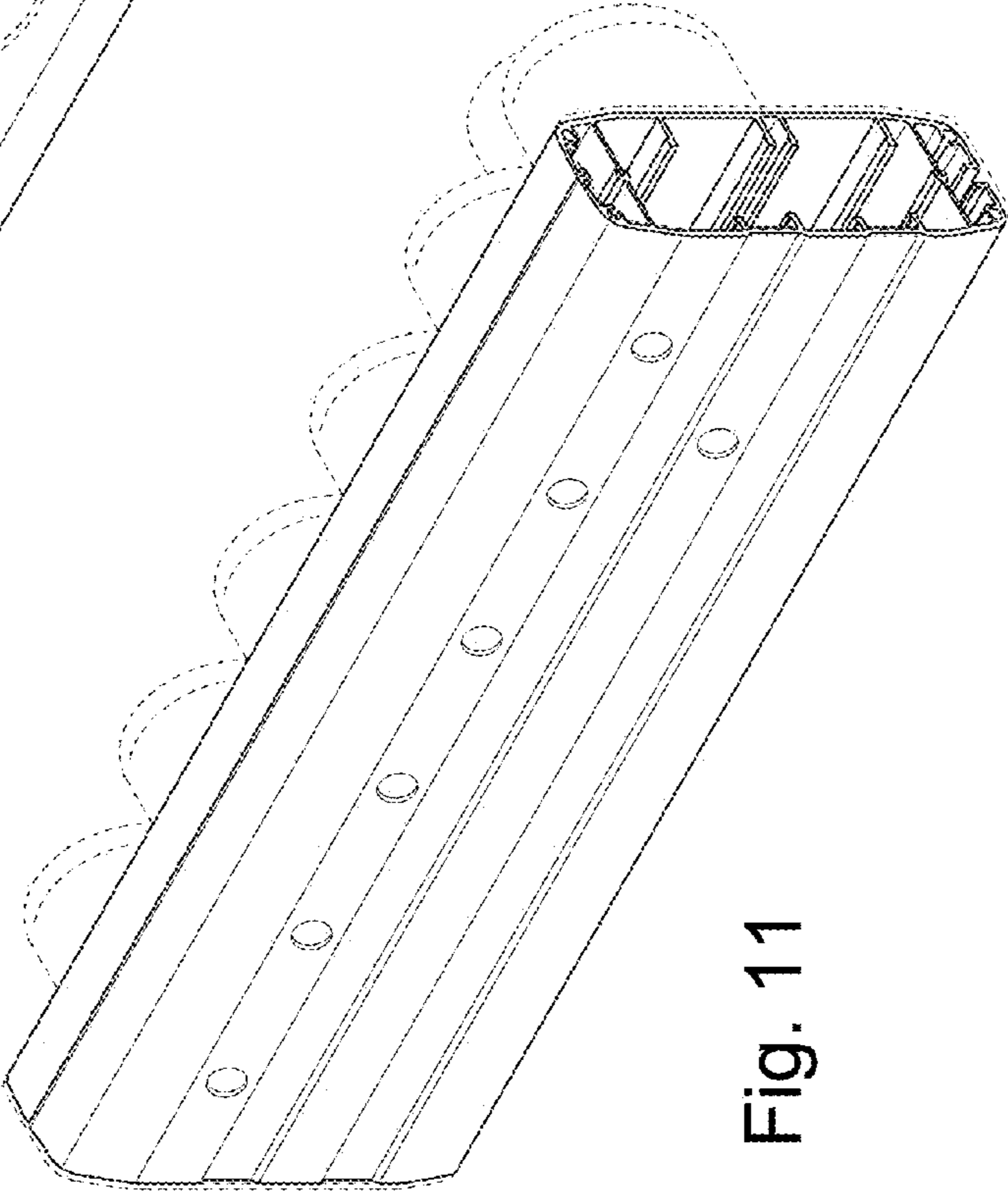


Fig. 11