



US00D701013S

(12) **United States Design Patent**  
**Libman et al.**

(10) **Patent No.:** **US D701,013 S**  
(45) **Date of Patent:** **\*\* Mar. 11, 2014**

- (54) **MOP**
- (75) Inventors: **Robert J. Libman**, Arcola, IL (US);  
**Marco Bizzotto**, Padua (IT)
- (73) Assignee: **The Libman Company**, Arcola, IL (US)
- (\*\*) Term: **14 Years**
- (21) Appl. No.: **29/413,941**
- (22) Filed: **Feb. 22, 2012**
- (51) **LOC (10) Cl.** ..... **04-01**
- (52) **U.S. Cl.**  
USPC ..... **D32/50; D32/51**
- (58) **Field of Classification Search**  
USPC ..... D32/50-52, 40, 44, 45; 473/301, 302;  
15/143.1, 119.2, 120.1, 120.2, 116.1,  
15/116.2, 150, 209.1-210.1;  
401/137-140; 16/430  
See application file for complete search history.

6,260,226	B1	7/2001	Specht	
6,487,745	B2	12/2002	Specht	
D506,050	S *	6/2005	Lalanne et al.	D32/45
7,039,969	B2	5/2006	Zorzo	
D549,414	S *	8/2007	Van Landingham, Jr.	D32/50
D563,068	S *	2/2008	Jiang et al.	D32/50
D585,612	S *	1/2009	Soller et al.	D32/50
D585,615	S *	1/2009	enyuva	D32/50
D586,513	S	2/2009	PZW Pho	
D588,770	S *	3/2009	Koenig et al.	D32/50
D597,718	S	8/2009	McNeil et al.	
D625,480	S *	10/2010	Raven	D32/50
D638,186	S *	5/2011	Yoon	D32/50
D653,827	S *	2/2012	Lee	D32/50
D654,238	S *	2/2012	Lee	D32/50

(Continued)

**OTHER PUBLICATIONS**

UltraMax Flat Mop, Vileda, [www.vileda.ca/en/mops/flat/ultramax.aspx](http://www.vileda.ca/en/mops/flat/ultramax.aspx), retrieved from Internet Apr. 27, 2012.  
Fibro Contact Flat Mop, Vileda, [www.vileda.ca/en/mops/flat/](http://www.vileda.ca/en/mops/flat/), retrieved from Internet Apr. 27, 2012.

(Continued)

*Primary Examiner* — John Windmuller  
(74) *Attorney, Agent, or Firm* — Banner & Witcoff, Ltd.

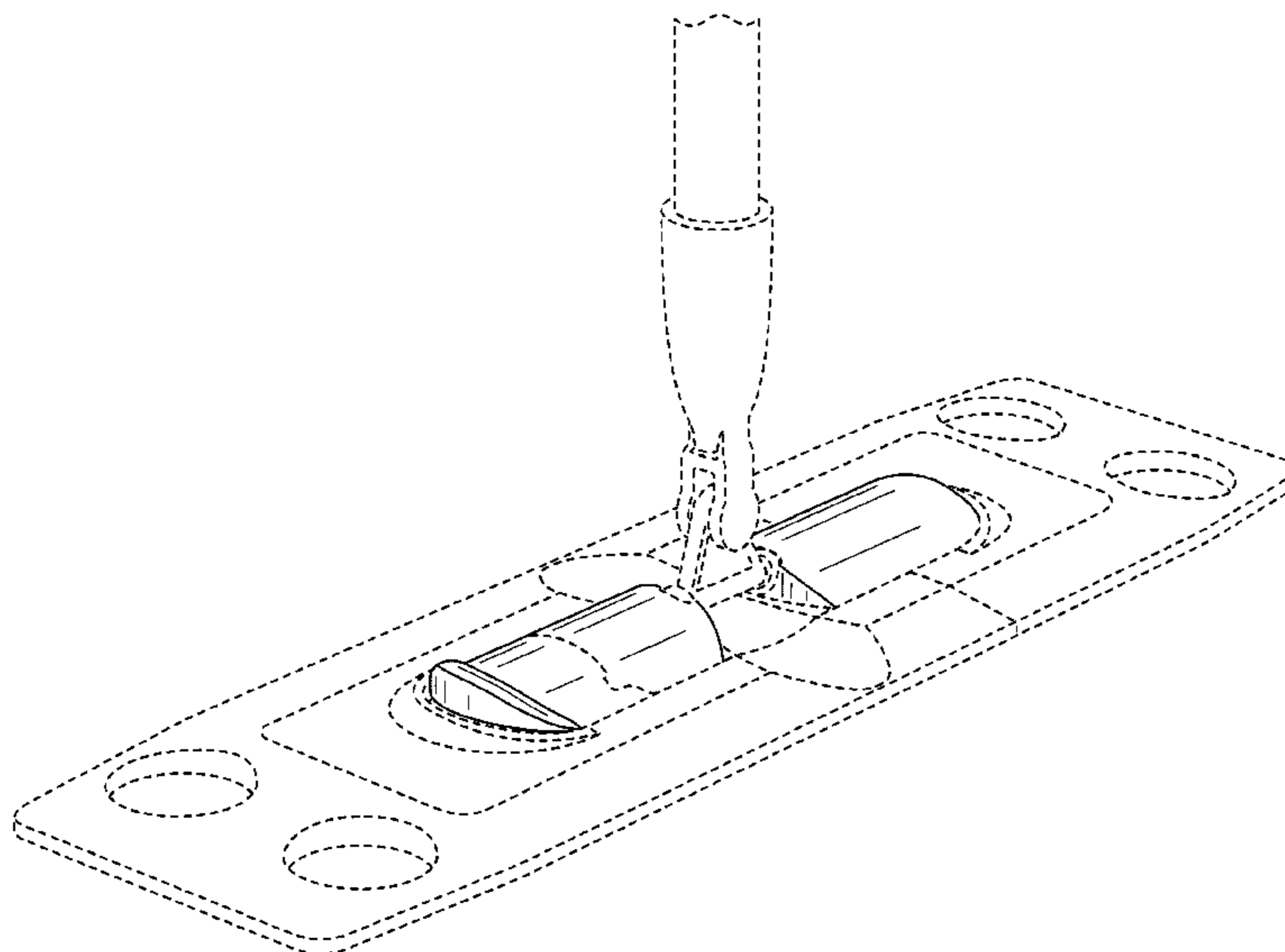
(57) **CLAIM**  
The ornamental design for a mop, as shown and described.

**DESCRIPTION**

FIG. 1 is a top, front, left perspective view of a mop showing our new design;  
FIG. 2 is a front view thereof;  
FIG. 3 is a rear view thereof;  
FIG. 4 is a left side view thereof;  
FIG. 5 is a right side view thereof; and,  
FIG. 6 is an alternate perspective view thereof showing our new design in an exemplary environment.  
The broken lines are for environmental purposes only and form no part of the claimed design.

**1 Claim, 5 Drawing Sheets**

- (56) **References Cited**
- U.S. PATENT DOCUMENTS
- 2,347,169 A \* 4/1944 Bennett ..... 15/229.4
- D277,039 S 1/1985 Miyoshi et al.
- D297,275 S 8/1988 Cook
- 4,912,804 A 4/1990 Pasbol
- 4,914,778 A 4/1990 Thompson
- 5,253,387 A 10/1993 Kresse et al.
- 5,361,447 A 11/1994 Ophardt
- 5,390,390 A 2/1995 Kresse et al.
- 5,397,622 A 3/1995 Thomas
- 5,398,492 A 3/1995 Thomas
- 5,442,830 A 8/1995 Ohm
- 5,452,491 A 9/1995 Thompson
- D366,740 S \* 1/1996 Clausen et al. .... D32/50
- D394,529 S \* 5/1998 Glisch ..... D32/25
- D402,776 S \* 12/1998 Carlson ..... D32/50
- 5,864,914 A 2/1999 Salmon
- 5,915,437 A \* 6/1999 Petner ..... 15/228



(56)

**References Cited**

U.S. PATENT DOCUMENTS

D657,928	S *	4/2012	Byrne	.....	D32/50
D661,036	S *	5/2012	Raven	.....	D32/45
D673,748	S *	1/2013	Snyder et al.	.....	D32/50
2004/0253041	A1 *	12/2004	Hall et al.	.....	401/140
2005/0254882	A1 *	11/2005	Hofte et al.	.....	401/140
2006/0070196	A1 *	4/2006	Lacotta et al.	.....	15/118
2006/0204316	A1 *	9/2006	Sacks	.....	401/139

OTHER PUBLICATIONS

ProMist Flat Mop, Vileda, [www.vileda.ca/en/mops/flat/promist.aspx](http://www.vileda.ca/en/mops/flat/promist.aspx), retrieved from Internet Apr. 27, 2012.

Ultramax Plus Flat Mop, Vileda, [www.vileda.ca/en/mops/flat/ultramax-plus.aspx](http://www.vileda.ca/en/mops/flat/ultramax-plus.aspx), retrieved from Internet Apr. 27, 2012.

Profi Floor Mop With Micro Duo Pad, Leifheit, [www.leifheitus.com/Profi-Floor-Mop-With-Micro-Duo-Pad-plu55049.html](http://www.leifheitus.com/Profi-Floor-Mop-With-Micro-Duo-Pad-plu55049.html), retrieved from Internet Apr. 30, 2012.

\* cited by examiner

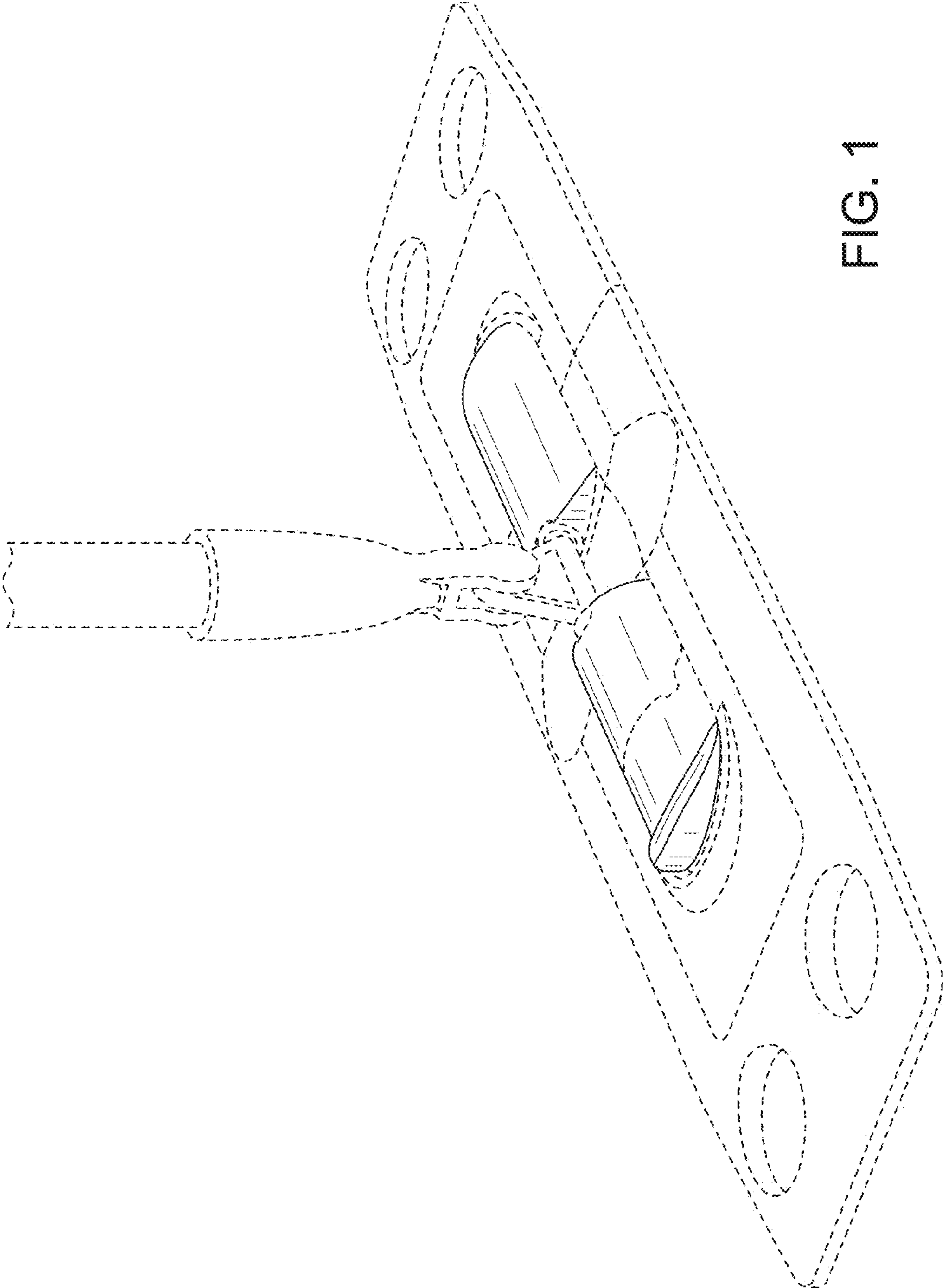


FIG. 1

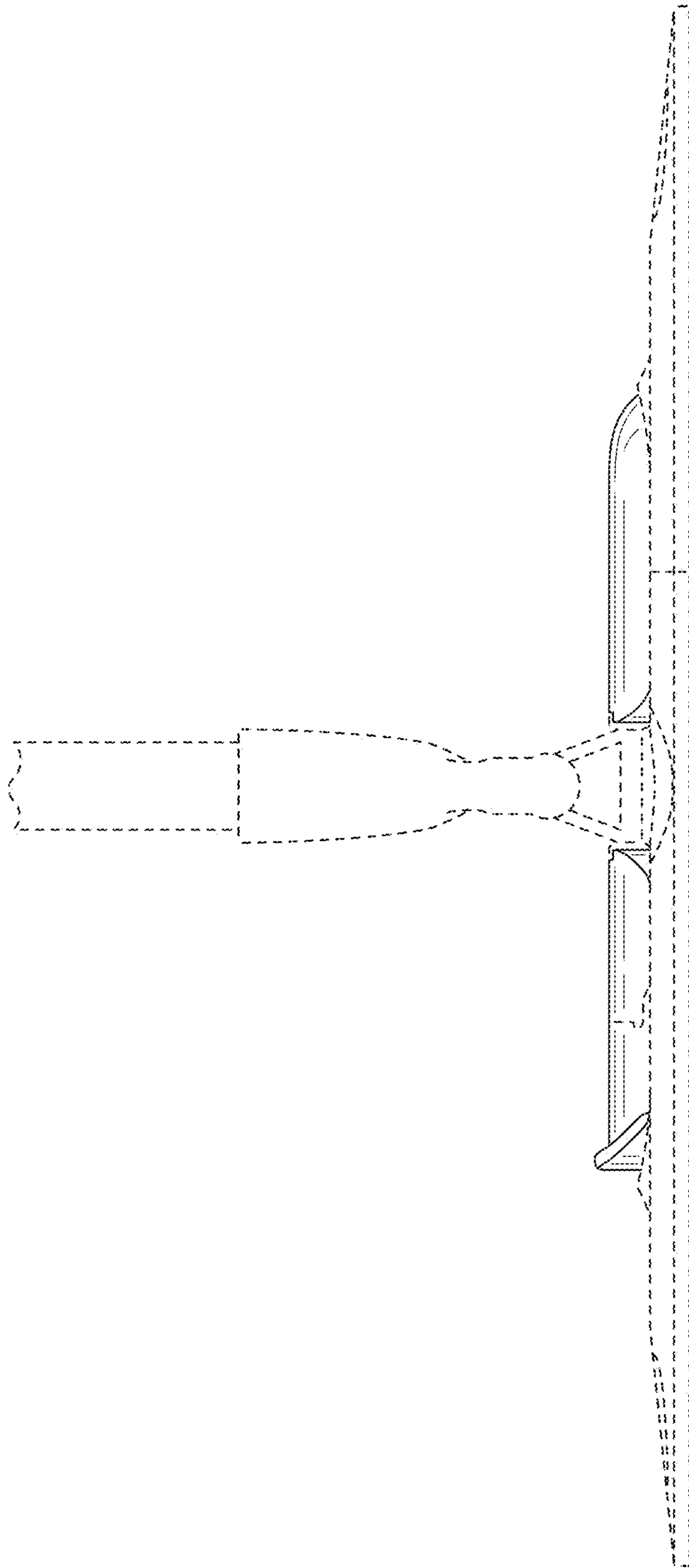


FIG. 2

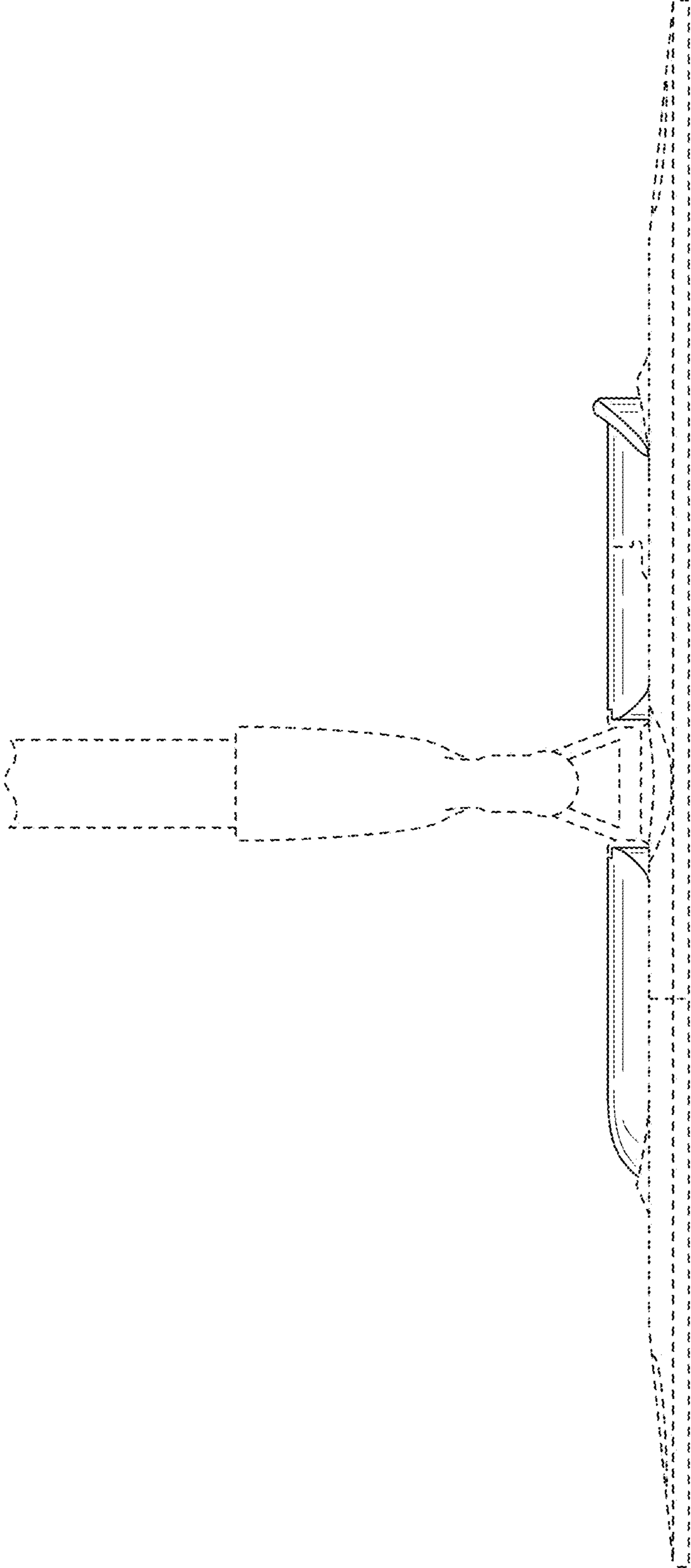


FIG. 3

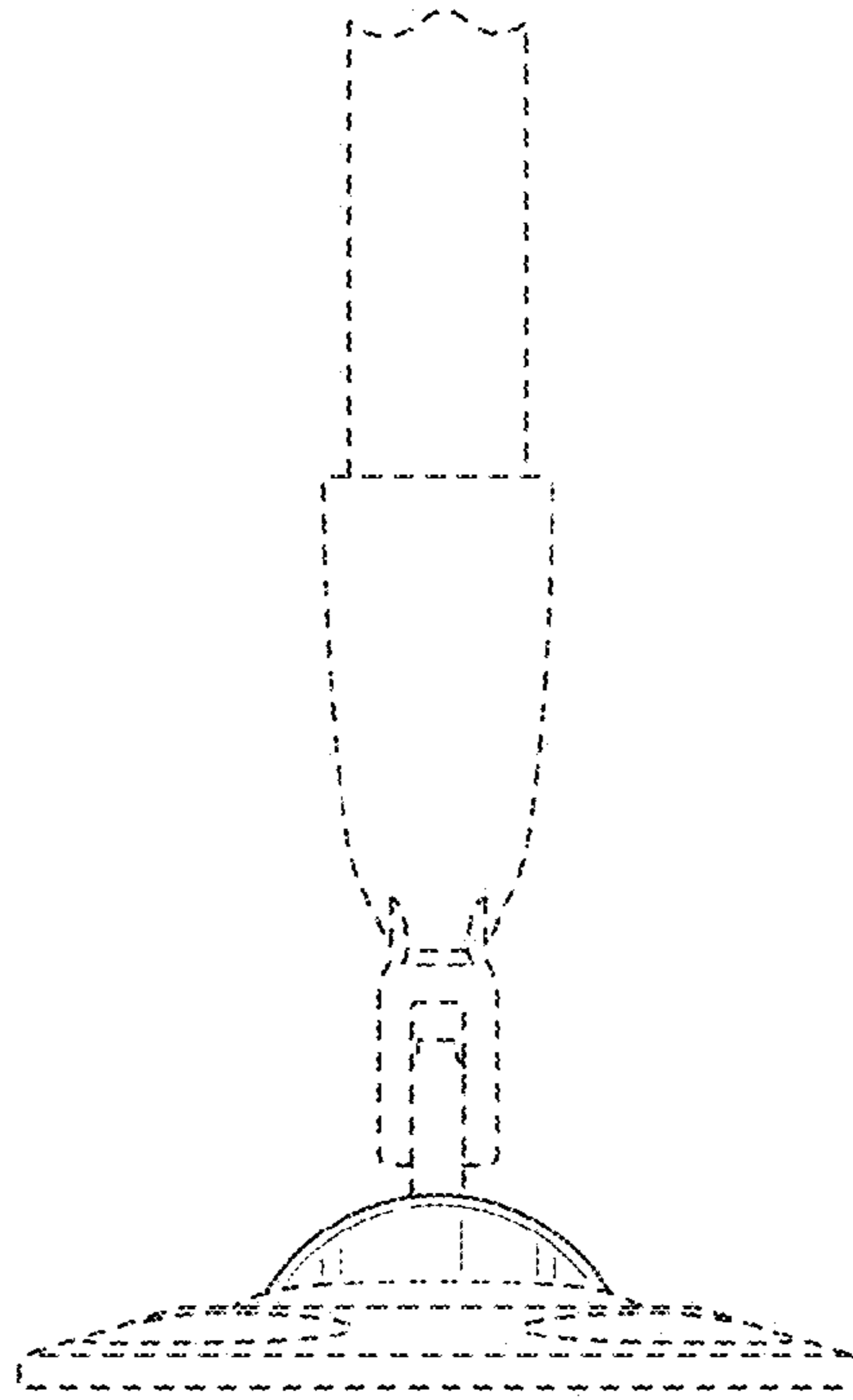


FIG. 4

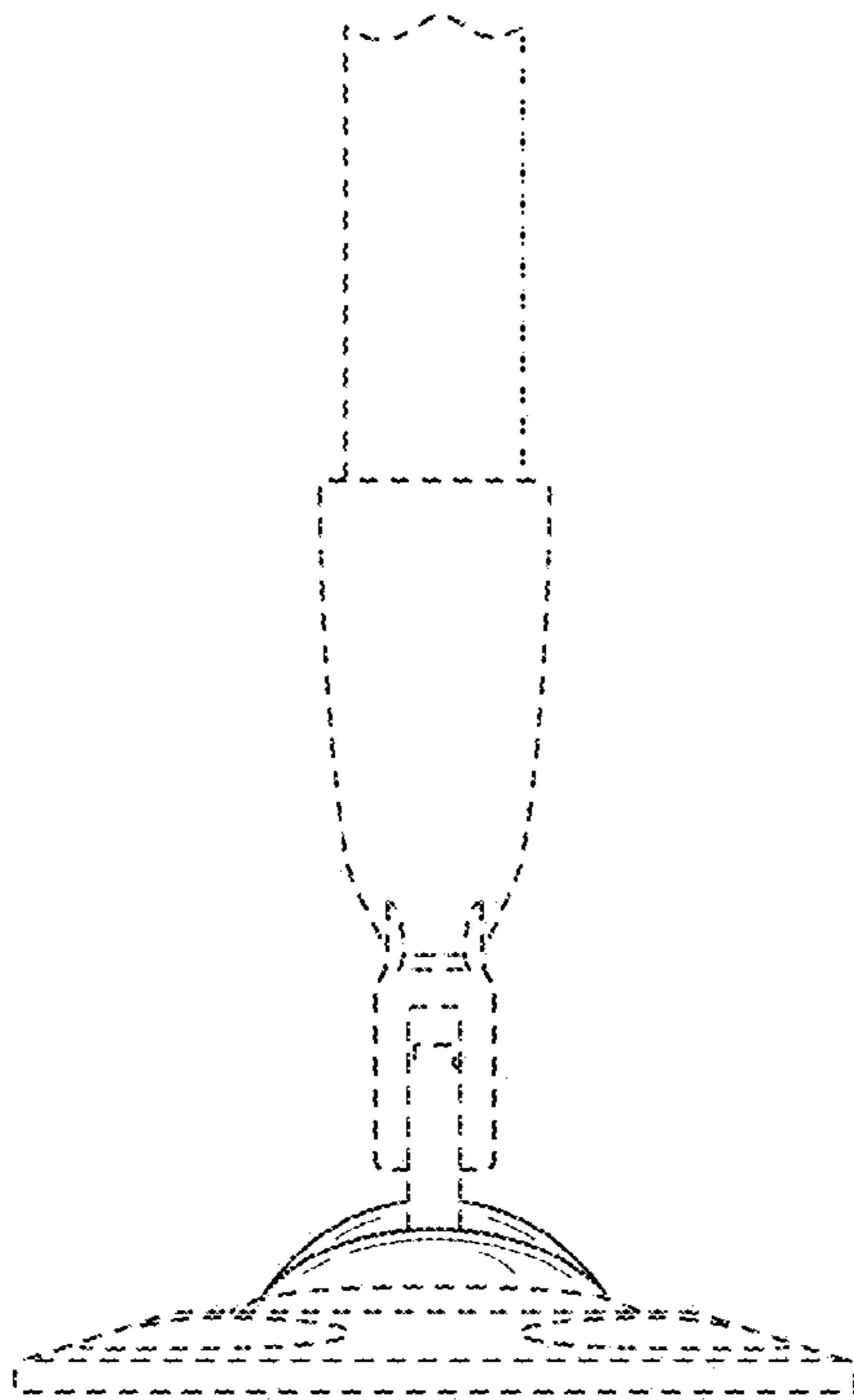


FIG. 5

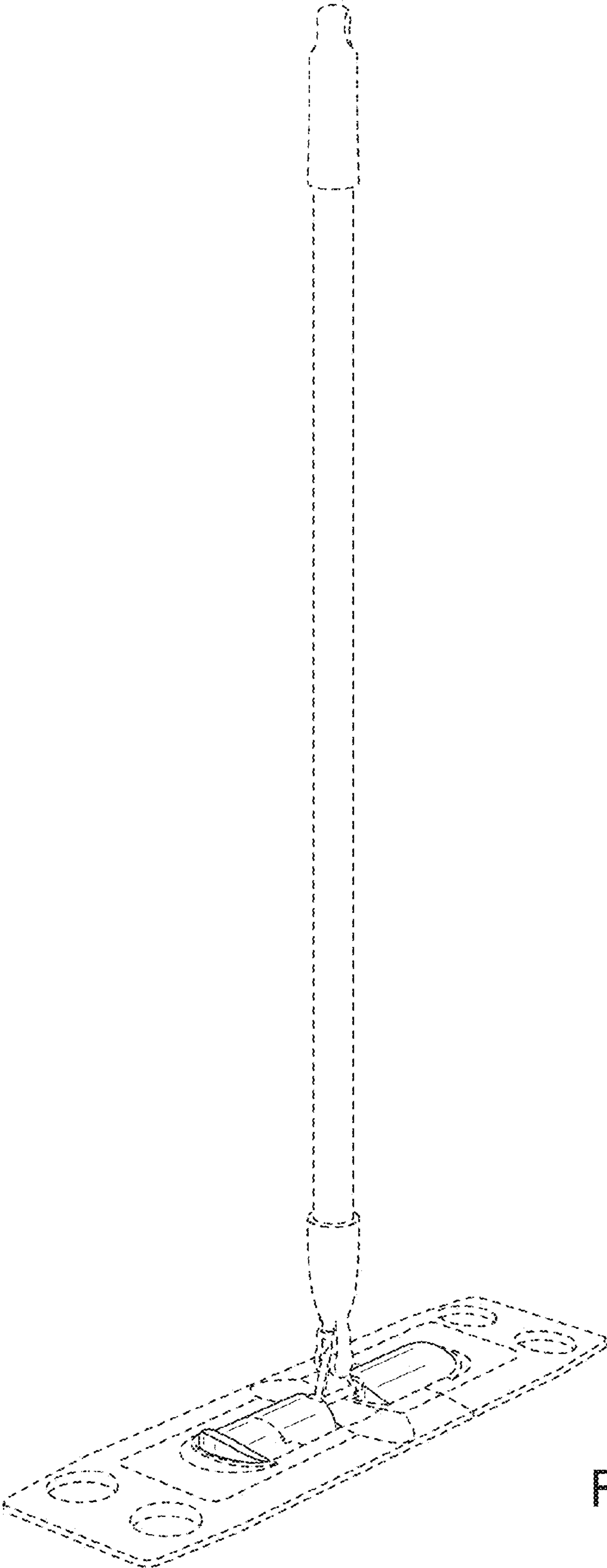


FIG. 6