



US00D701012S

(12) **United States Design Patent**  
**Monteith**

(10) **Patent No.:** **US D701,012 S**  
(45) **Date of Patent:** **\*\* Mar. 11, 2014**

(54) **CLEANING ASSEMBLY**

(71) Applicant: **Stuart Hamilton Monteith**, Auckland (NZ)

(72) Inventor: **Stuart Hamilton Monteith**, Auckland (NZ)

(\*\*) Term: **14 Years**

(21) Appl. No.: **29/462,940**

(22) Filed: **Aug. 9, 2013**

7,159,265	B2	1/2007	Soller et al.	
7,386,913	B2	6/2008	Jackson	
D572,871	S *	7/2008	Erken .....	D32/50
7,735,182	B2	6/2010	Morris et al.	
8,321,987	B2 *	12/2012	Bagley .....	15/145
2004/0016073	A1	1/2004	Knutson	
2004/0064910	A1	4/2004	Young	
2005/0273960	A1	12/2005	Dillon	
2006/0101600	A1	5/2006	Weaver	
2007/0151059	A1	7/2007	Petner et al.	
2008/0016638	A1	1/2008	Morris et al.	
2009/0255076	A1	10/2009	Bagley	
2011/0225755	A1	9/2011	Carlson et al.	

**Related U.S. Application Data**

(63) Continuation of application No. 12/879,479, filed on Sep. 10, 2010.

(51) **LOC (10) Cl.** ..... **04-01**

(52) **U.S. Cl.**  
USPC ..... **D32/40**

(58) **Field of Classification Search**  
USPC ..... D32/40, 41; 15/176.1, 145, 228, 147.1  
See application file for complete search history.

(56) **References Cited**

**U.S. PATENT DOCUMENTS**

1,211,485	A *	1/1917	Phare .....	15/147.1
2,326,879	A *	8/1943	Neuhausen .....	15/202
2,789,839	A	4/1957	Siebert	
2,864,110	A *	12/1958	Usher .....	15/144.4
4,247,216	A	1/1981	Pansini	
4,642,837	A	2/1987	Nichols et al.	
4,754,516	A	7/1988	Tremblay	
5,375,286	A	12/1994	Harrah	
6,058,548	A	5/2000	Footer et al.	
6,155,620	A	12/2000	Armstrong	
6,332,235	B1 *	12/2001	Lye .....	15/244.1
6,438,784	B1	8/2002	Yu	
6,854,919	B2	2/2005	Neumann et al.	

**OTHER PUBLICATIONS**

New Zealand Examination—579625—Sep. 17, 2010.

\* cited by examiner

*Primary Examiner* — Robin V Webster

(74) *Attorney, Agent, or Firm* — Young & Thompson

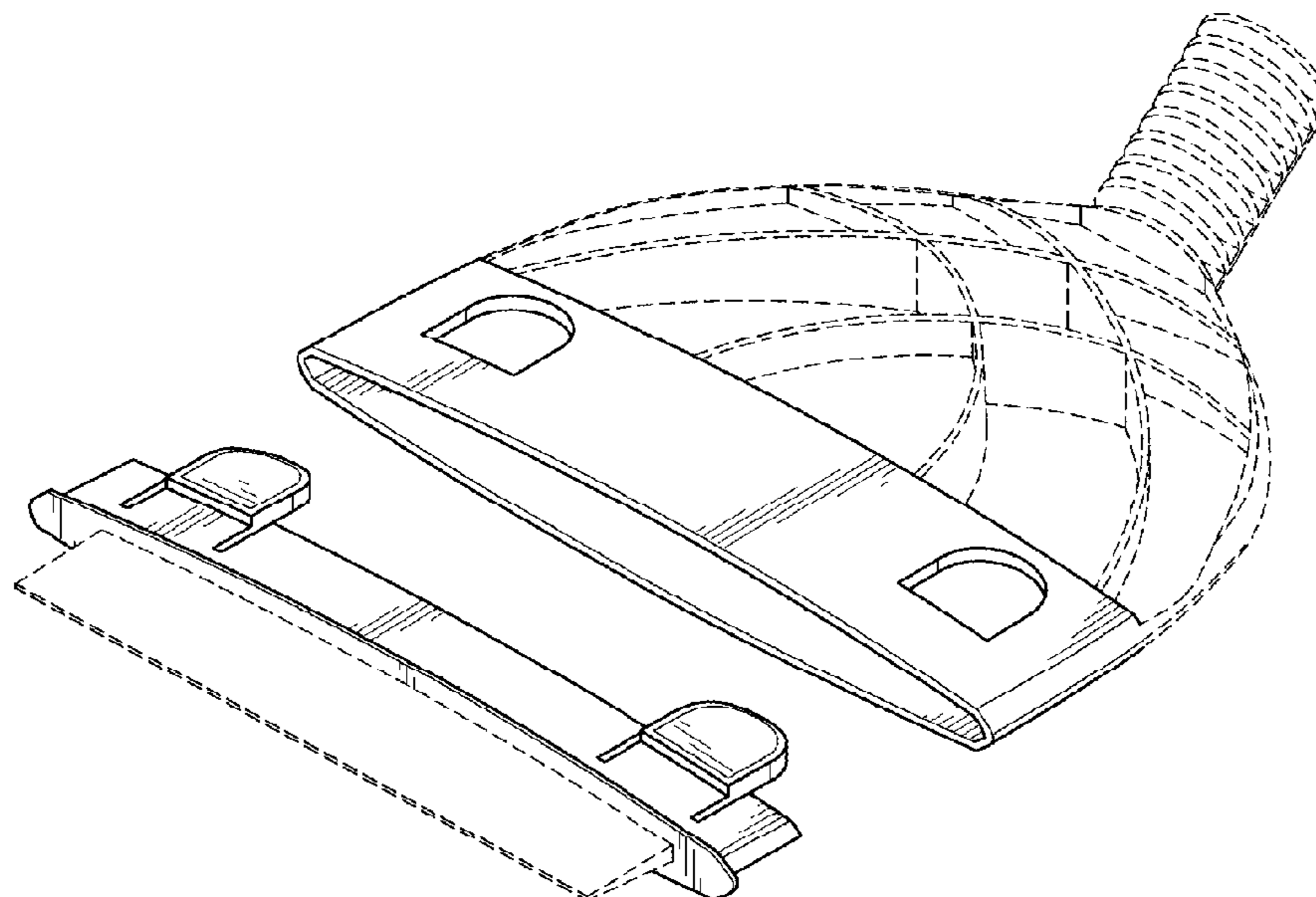
(57) **CLAIM**

The ornamental design for a cleaning assembly, as shown and described.

**DESCRIPTION**

FIG. 1 is an exploded perspective view of front, left, and top of cleaning assembly;  
FIG. 2 is an exploded top view thereof;  
FIG. 3 is an exploded bottom view thereof;  
FIG. 4 is a front view thereof;  
FIG. 5 is a rear view thereof;  
FIG. 6 is an exploded left side view thereof; and,  
FIG. 7 is an exploded right side view thereof.  
The broken lines shown in the figures represent unclaimed portions of the cleaning assembly and form no part of the claimed design.

**1 Claim, 3 Drawing Sheets**



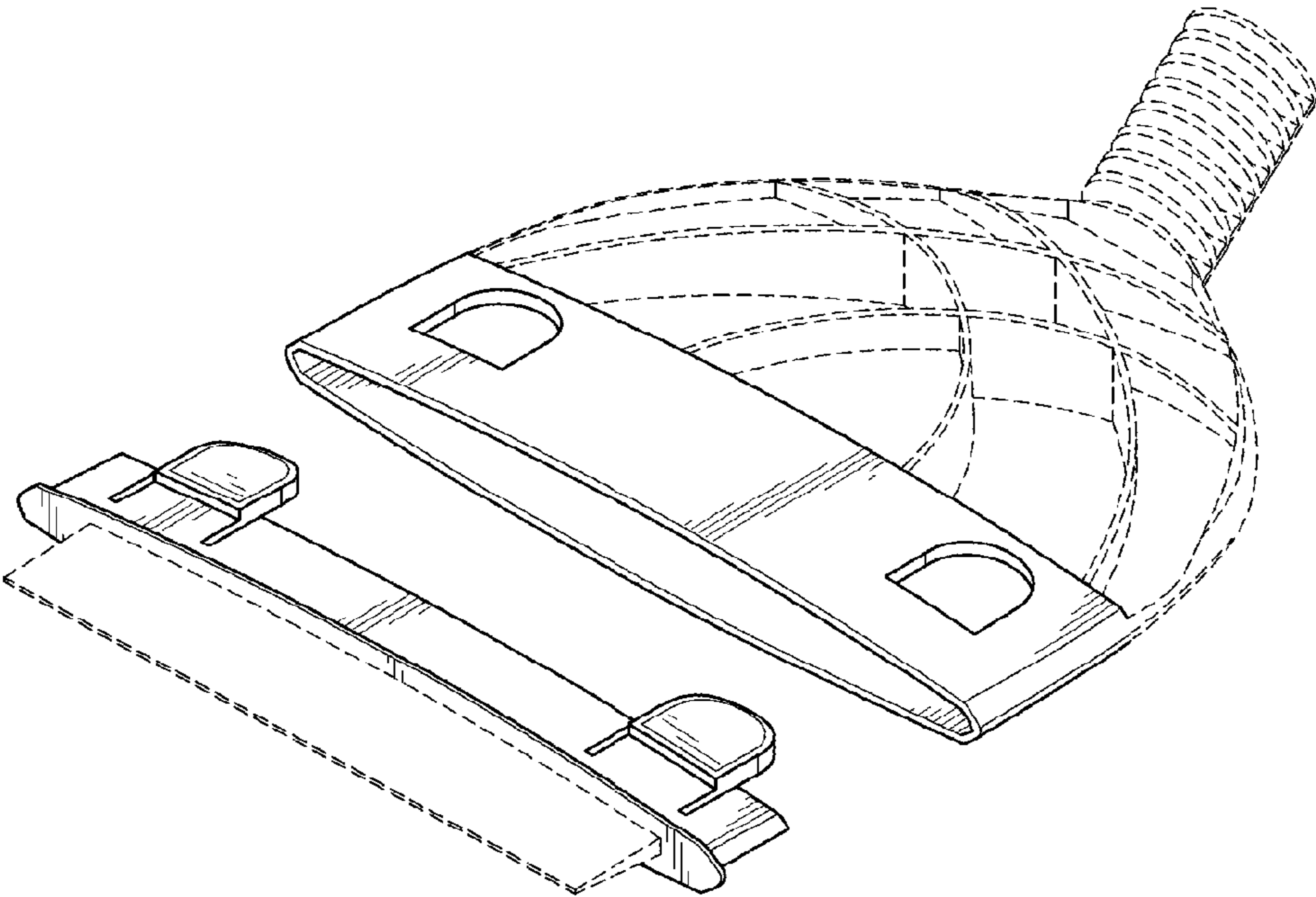


FIG. 1

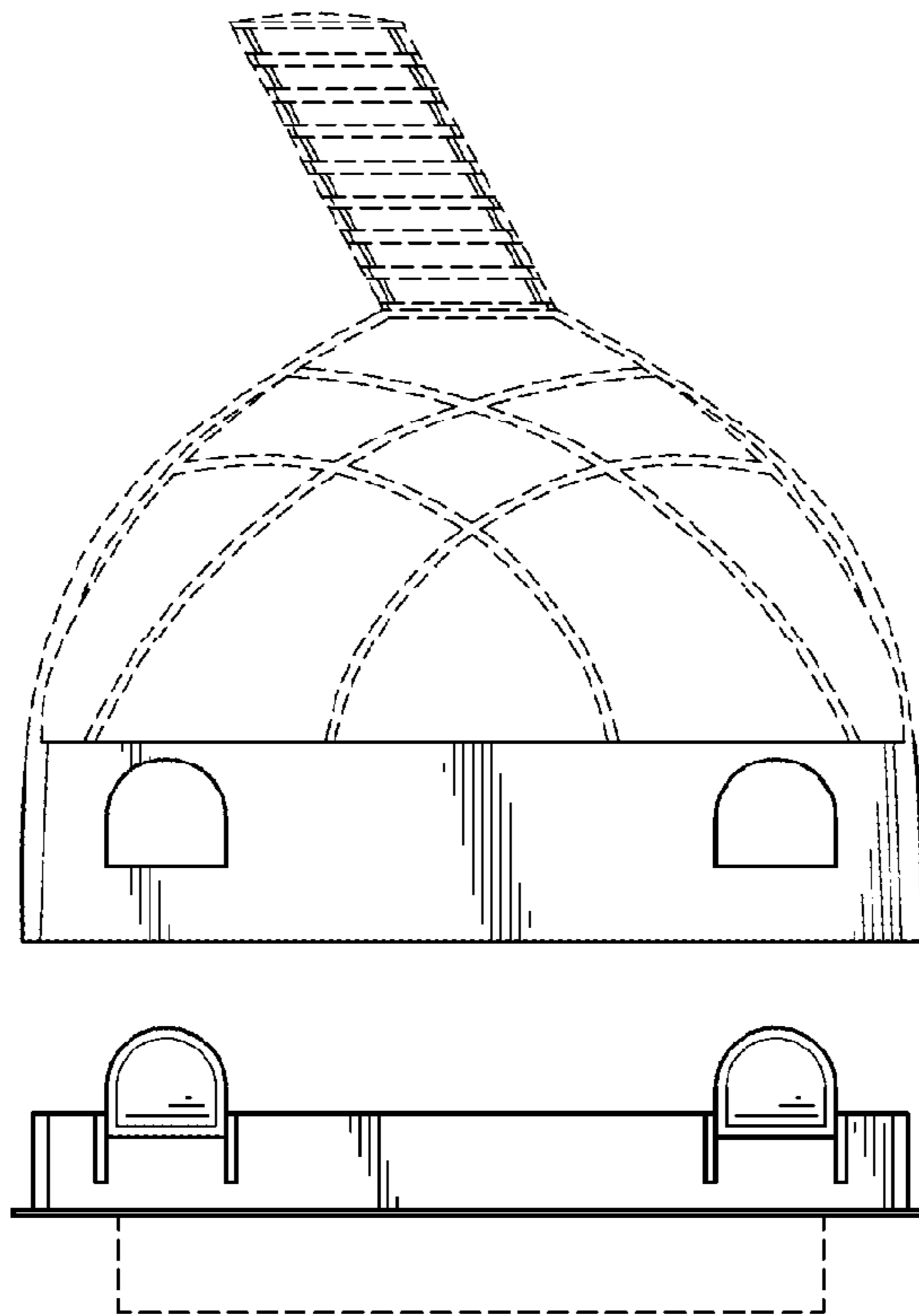


FIG. 2

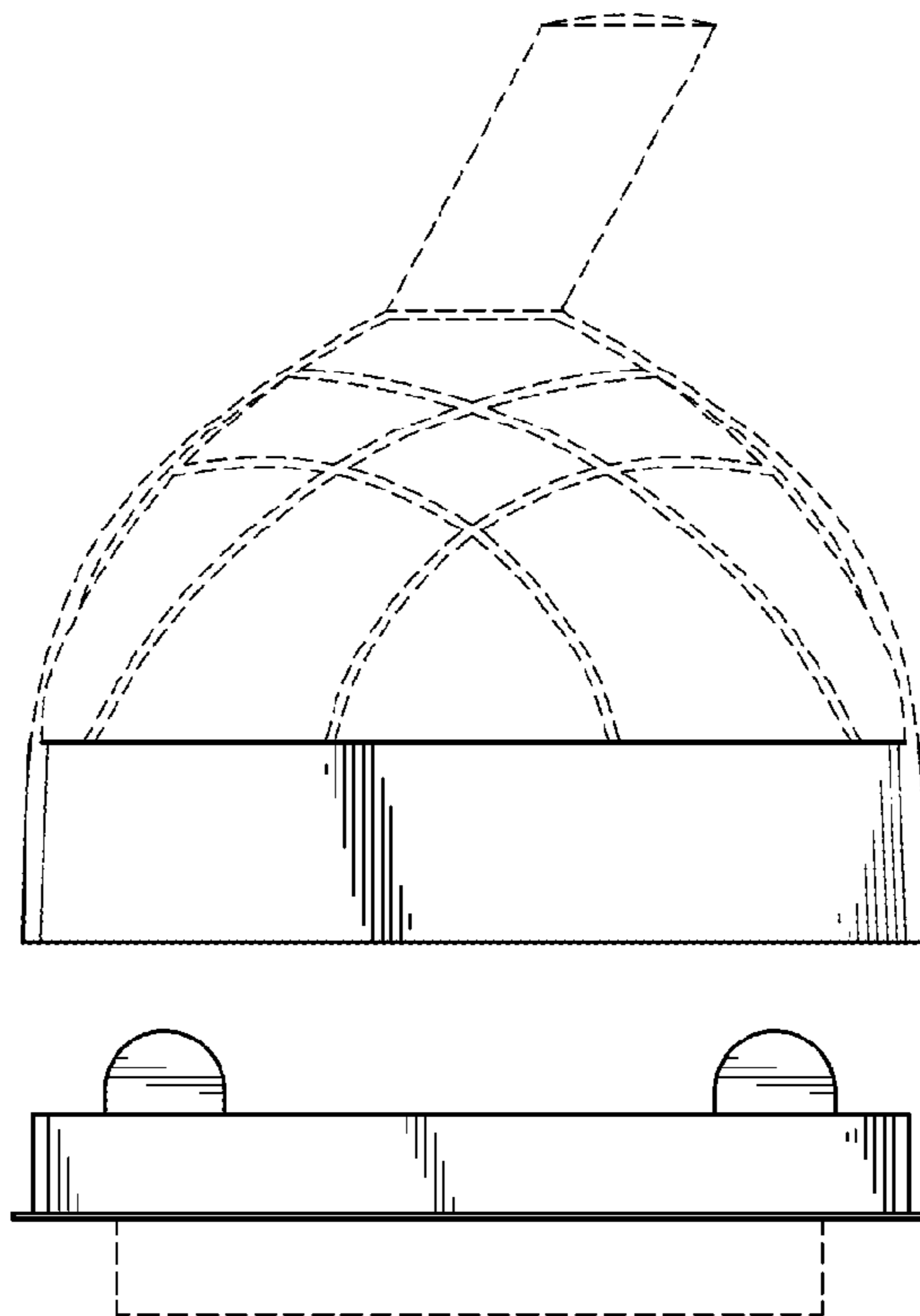


FIG. 3

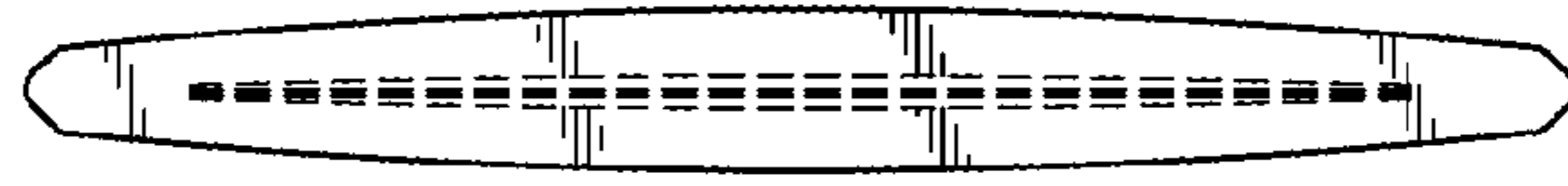


FIG. 4



FIG. 5

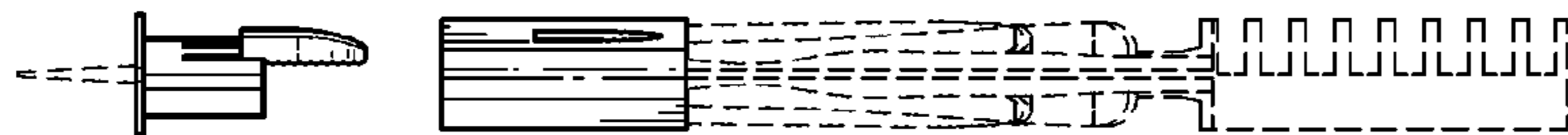


FIG. 6

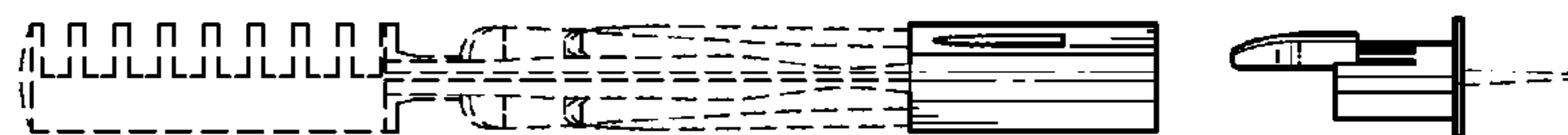


FIG. 7