



US00D701011S

(12) **United States Design Patent**
Miller et al.

(10) **Patent No.:** **US D701,011 S**
(45) **Date of Patent:** **** Mar. 11, 2014**

(54) **FLOOR CLEANER ACCESSORY TOOL**

(71) Applicant: **BISSELL Homecare, Inc.**, Grand Rapids, MI (US)

(72) Inventors: **Dave Miller**, Zeeland, MI (US);
Christopher John Reinke, Saint Joseph, MI (US)

(73) Assignee: **BISSELL Homecare, Inc.**, Grand Rapids, MI (US)

(**) Term: **14 Years**

(21) Appl. No.: **29/455,461**

(22) Filed: **May 21, 2013**

(51) **LOC (10) Cl.** **15-05**

(52) **U.S. Cl.**
USPC **D32/32**

(58) **Field of Classification Search**
USPC D32/17, 22, 31-33, 50; 15/415.1-422,
15/1, 400, 414, 328, 329, 320, 22, 353,
15/361, 410, 383, 363, 327.1, 405, 246.2,
15/246.3, 4, 412, 396-399, 393, 98; 285/7
See application file for complete search history.

(56) **References Cited**

U.S. PATENT DOCUMENTS

D239,243 S * 3/1976 Hachtmann et al. D32/32
D296,372 S * 6/1988 Toney et al. D32/32
D306,788 S * 3/1990 McAllister et al. D32/32

D347,504 S * 5/1994 Furcron et al. D32/33
5,640,739 A * 6/1997 Campbell 15/321
5,655,255 A * 8/1997 Kelly 15/322
5,752,289 A * 5/1998 Collins 15/421
D419,733 S * 1/2000 Medema D32/32
D538,986 S * 3/2007 Ingram D32/32
D590,111 S * 4/2009 Wiljanen et al. D32/32
D590,112 S * 4/2009 Sun D32/32
D590,113 S * 4/2009 Benacquisto D32/32
D621,112 S * 8/2010 Benacquisto D32/33
D674,978 S * 1/2013 Hill et al. D32/32
2013/0019430 A1* 1/2013 Ruiz et al. 15/246.3

* cited by examiner

Primary Examiner — Ruth McInroy

(74) *Attorney, Agent, or Firm* — McGarry Bair PC

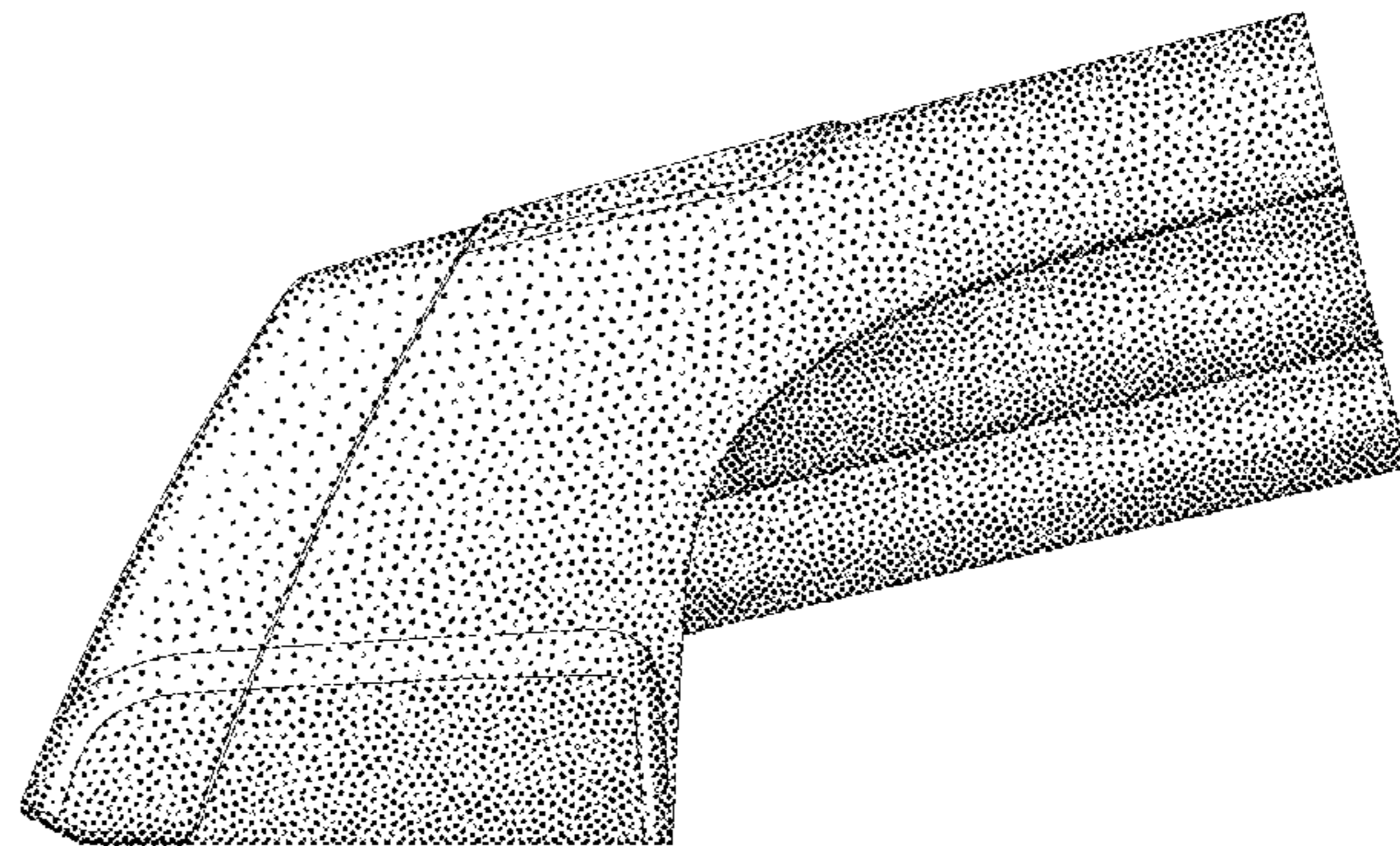
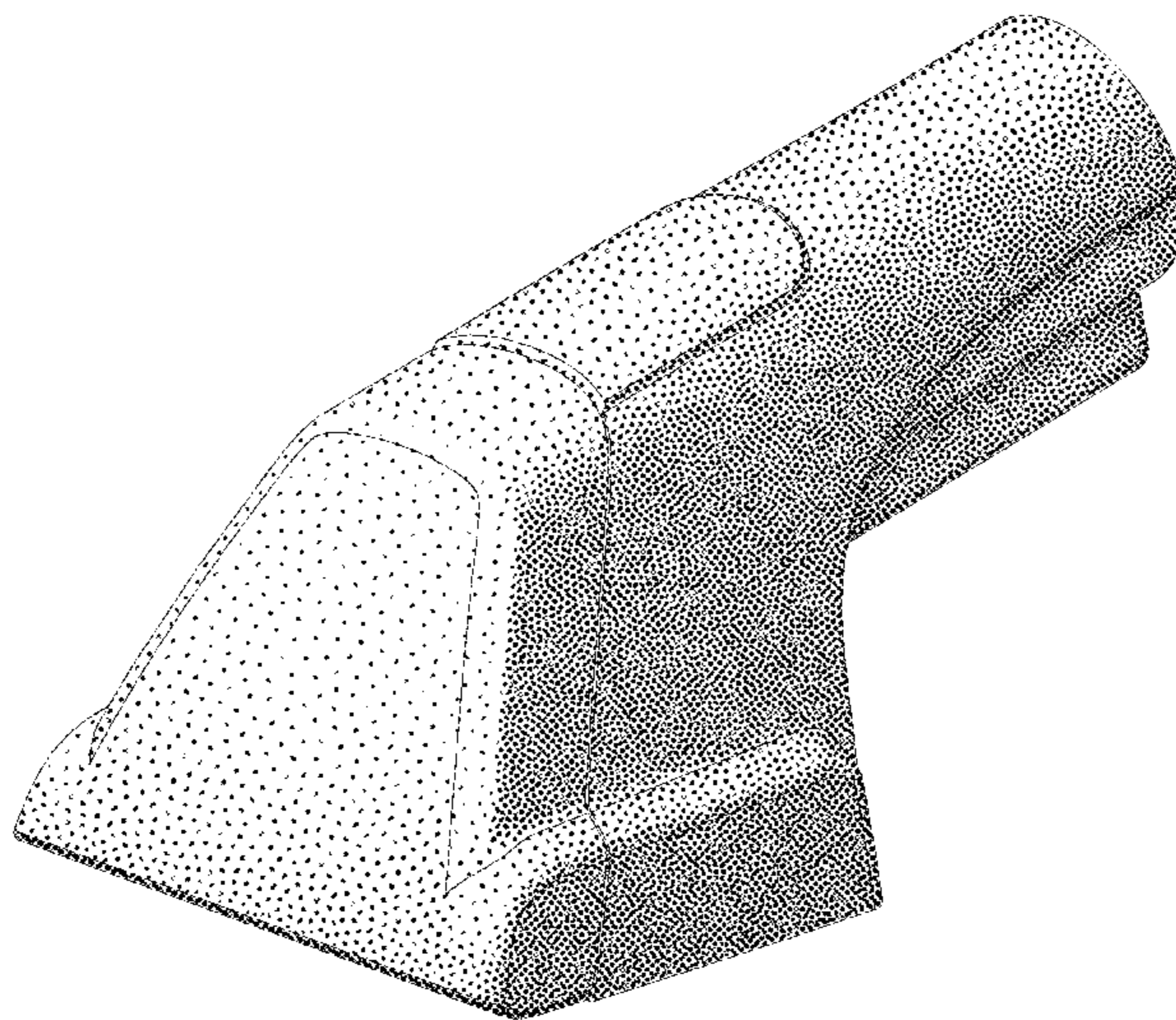
(57) **CLAIM**

The ornamental design for a floor cleaner accessory tool, as shown and described.

DESCRIPTION

FIG. 1 is a front, right perspective view a floor cleaner accessory tool showing our new design;
FIG. 2 is a front view thereof;
FIG. 3 is a rear view thereof;
FIG. 4 is a right side view thereof, the left side being a mirror image; and,
FIG. 5 is a top view thereof.

1 Claim, 4 Drawing Sheets



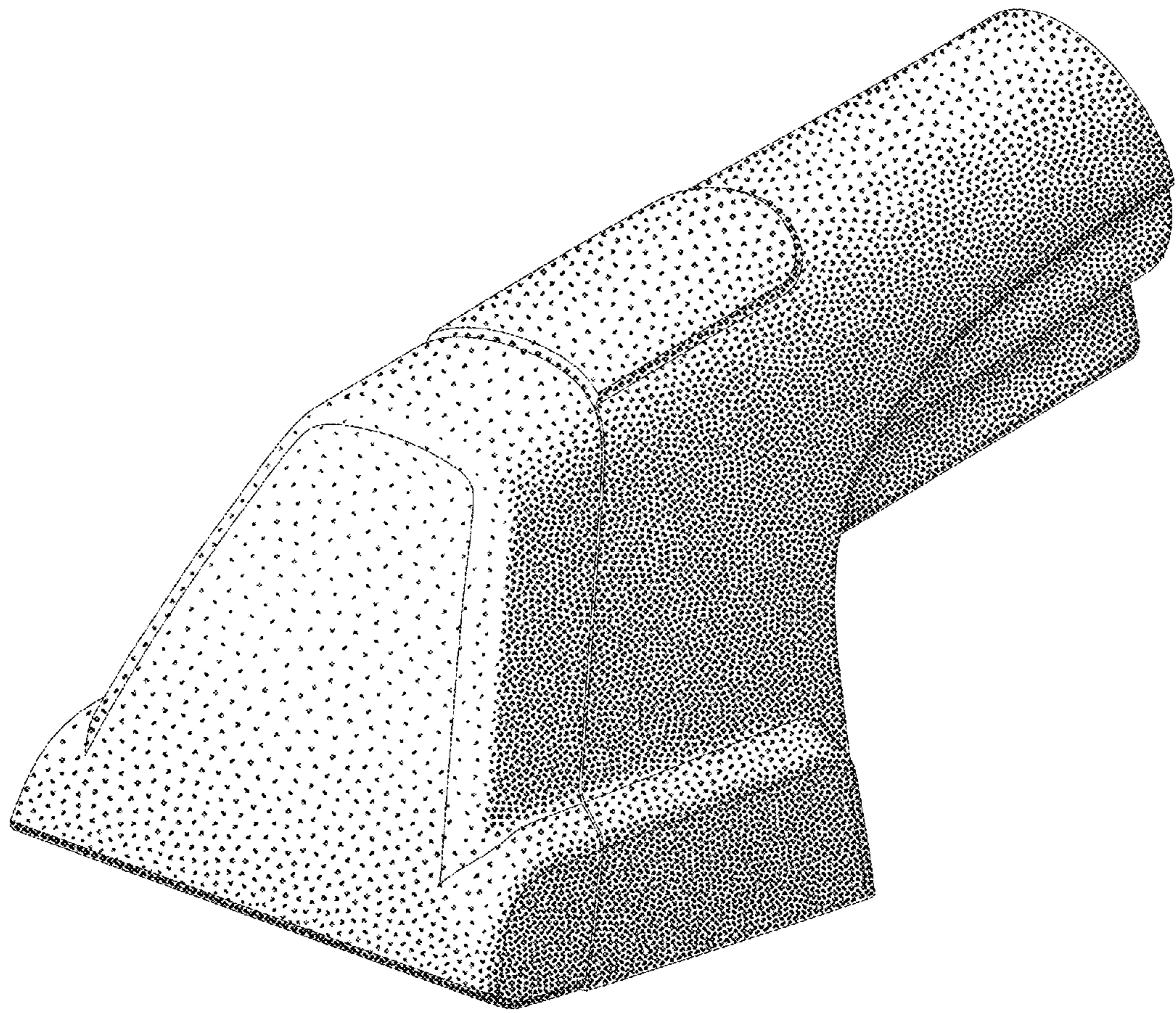


FIG. 1

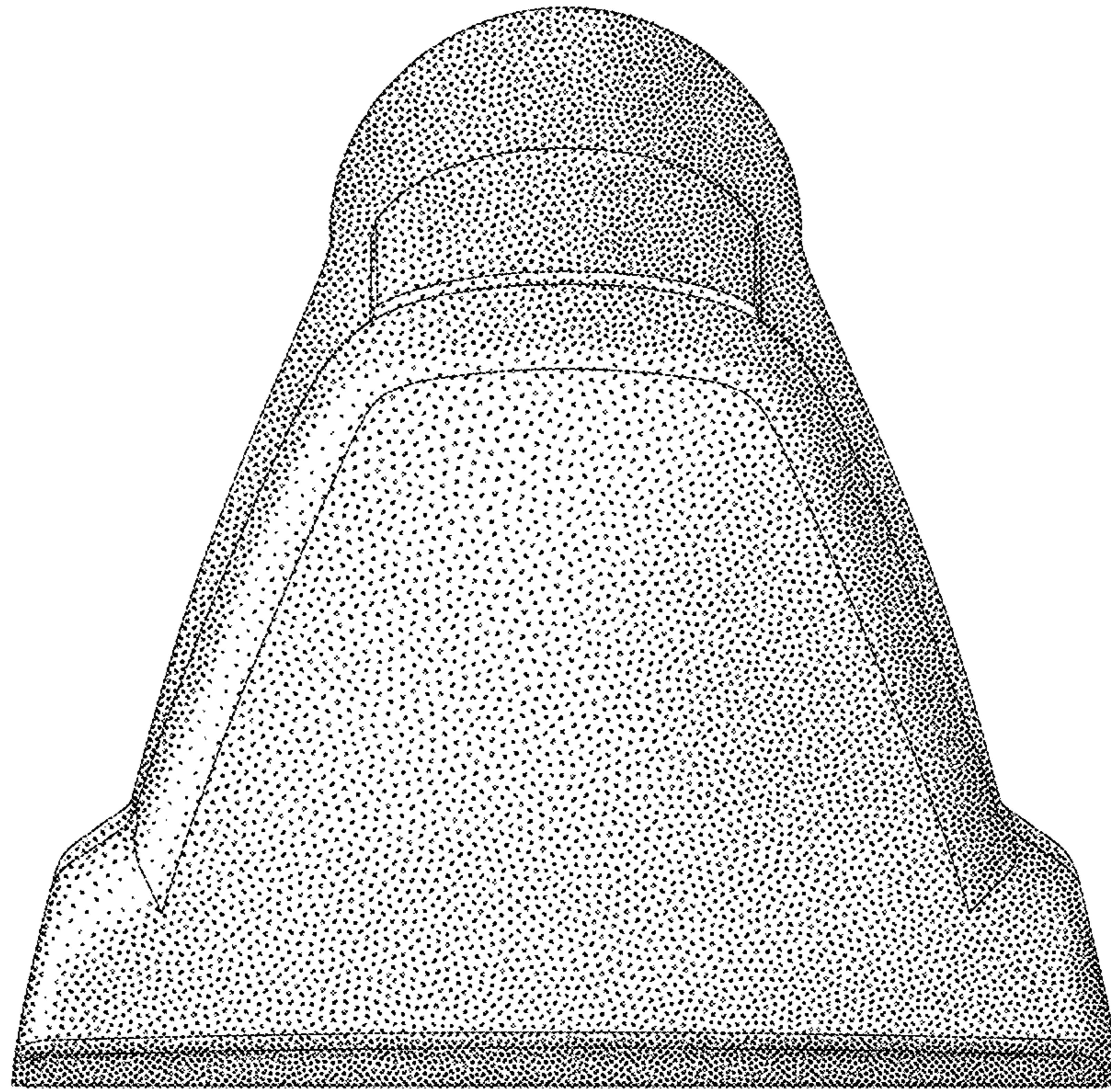


FIG. 2

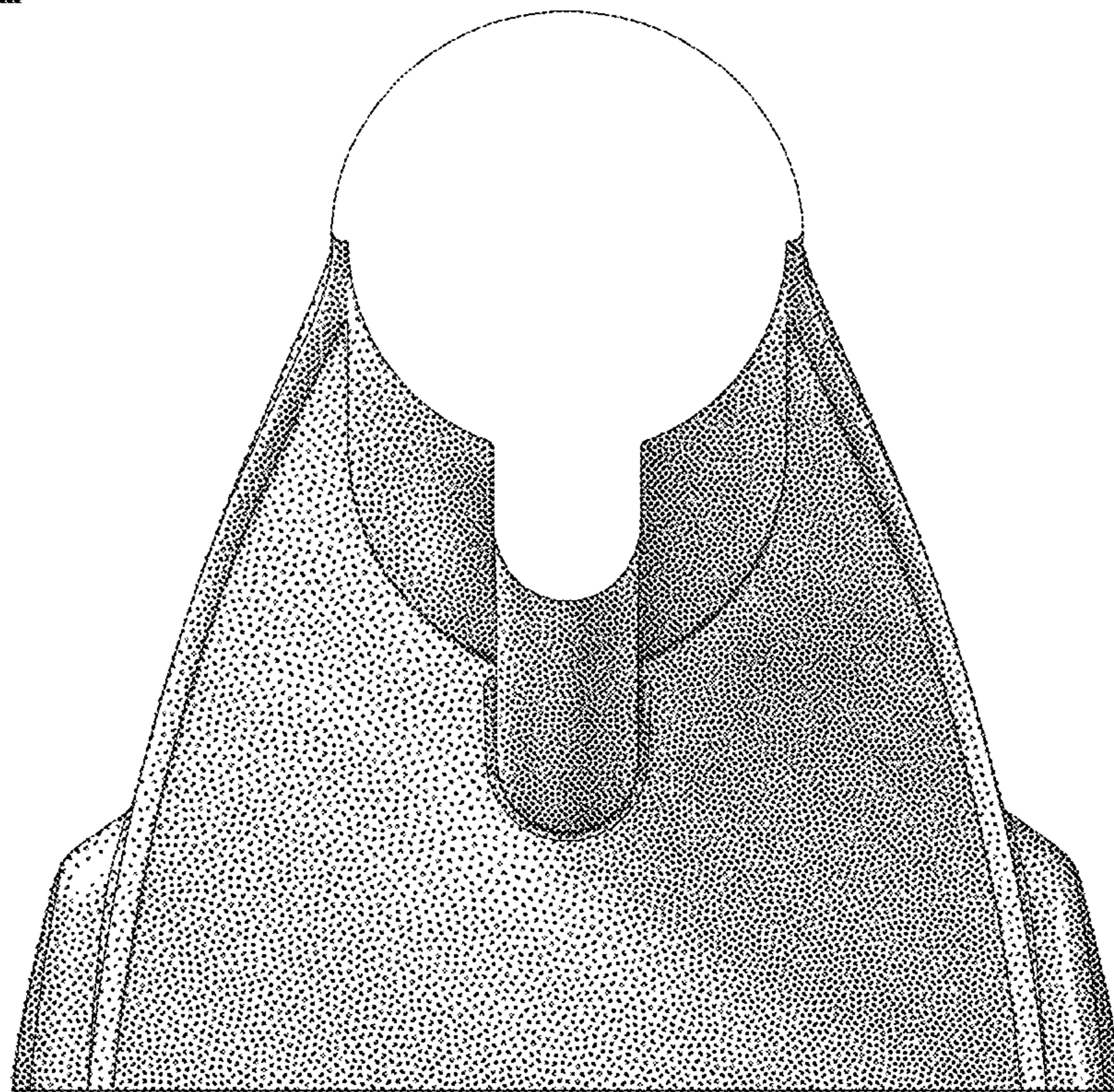


FIG. 3

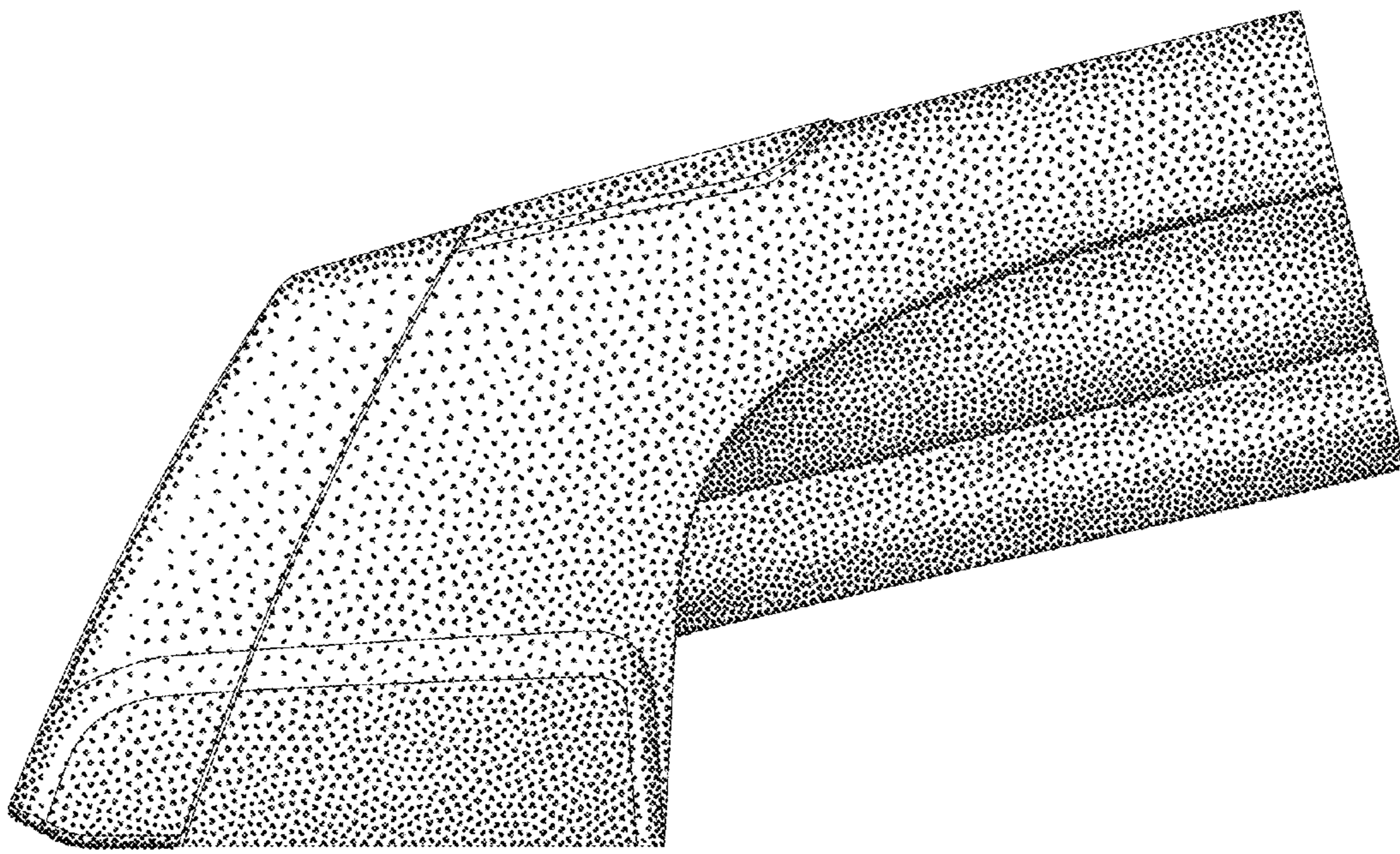


FIG. 4

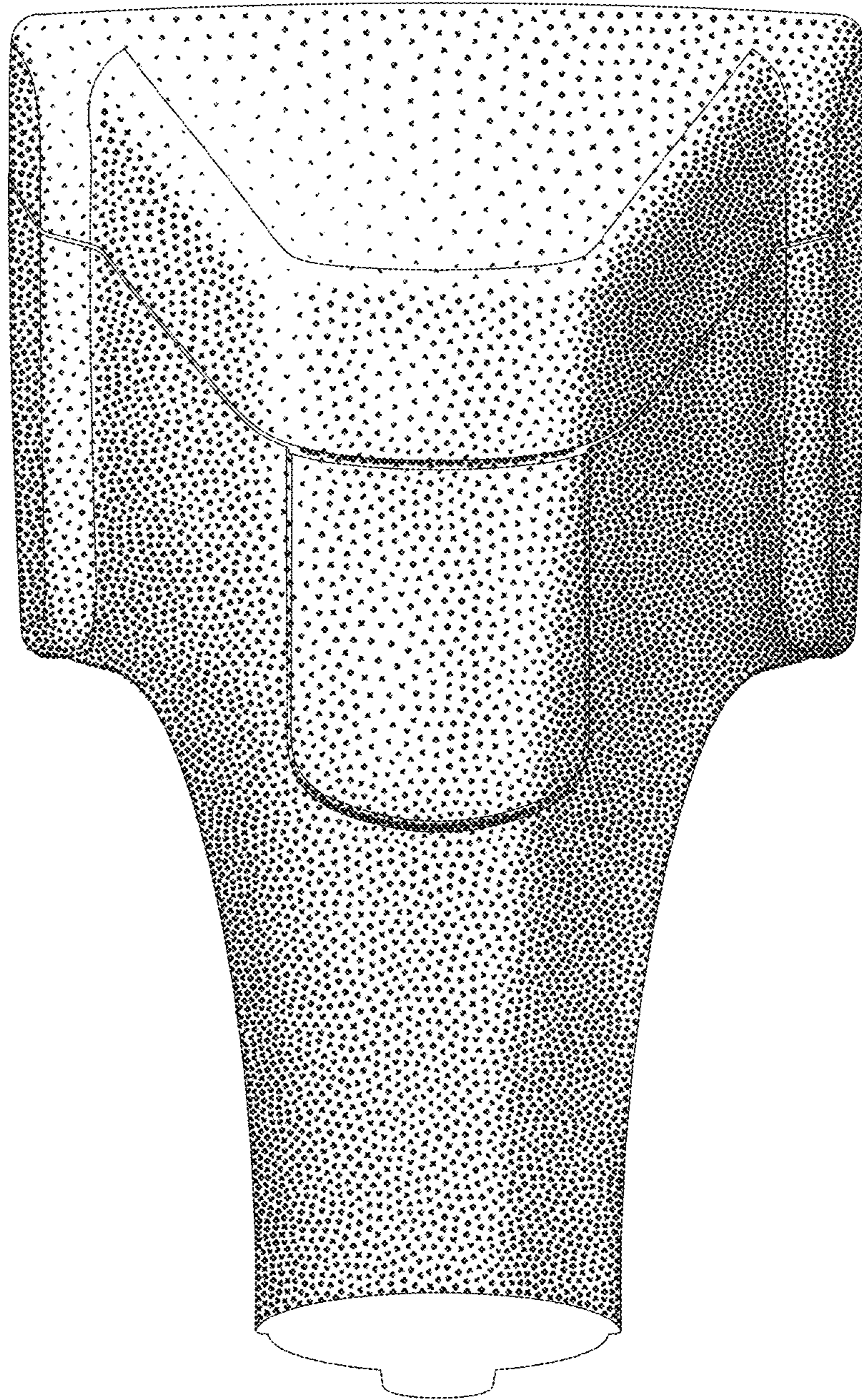


FIG. 5