



US00D701010S

(12) **United States Design Patent**  
**Tate**

(10) **Patent No.:** **US D701,010 S**  
(45) **Date of Patent:** **\*\* Mar. 11, 2014**

(54) **ROTATABLE CUFF FOR A BLOWER VAC**

(71) Applicant: **Black & Decker Inc.**, Newark, DE (US)

(72) Inventor: **Clare Tate**, Durham (GB)

(73) Assignee: **Black & Decker Inc.**, Newark, DE (US)

(\*\*) Term: **14 Years**

(21) Appl. No.: **29/453,502**

(22) Filed: **Apr. 30, 2013**

(51) **LOC (10) Cl.** ..... **15-05**

(52) **U.S. Cl.**  
USPC ..... **D32/32**

(58) **Field of Classification Search**  
USPC ..... D32/31-33, 22, 17; 15/415.1-422, 1,  
15/414, 320, 322, 405, 410, 353, 400, 333,  
15/334, 335, 350, 327.1-327.7, 354-355,  
15/357  
See application file for complete search history.

(56) **References Cited**

**U.S. PATENT DOCUMENTS**

D157,713	S	*	3/1950	Thomas	.....	D32/33
D301,177	S	*	5/1989	Von Bischoffshausen	....	D32/31
5,054,159	A	*	10/1991	Richardson	.....	15/400
D374,524	S	*	10/1996	Harris	.....	D32/32
D382,683	S	*	8/1997	Henke et al.	.....	D32/25
5,689,852	A	*	11/1997	Svoboda et al.	.....	15/405
5,768,749	A	*	6/1998	Ohi et al.	.....	15/405
5,781,961	A	*	7/1998	Thur et al.	.....	15/327.2
5,799,365	A	*	9/1998	Firdaus	.....	15/418
5,926,910	A	*	7/1999	Nishimura et al.	.....	15/415.1
5,950,276	A	*	9/1999	Everts et al.	.....	15/405
D460,842	S	*	7/2002	Sainsbury	.....	D32/15
D488,599	S	*	4/2004	Chika	.....	D32/25

D526,102	S	*	8/2006	Adams	.....	D32/32
D540,994	S	*	4/2007	Borges	.....	D32/33
D576,365	S	*	9/2008	Wishney	.....	D32/32
7,549,191	B2	*	6/2009	Seasholtz et al.	.....	15/414
D597,715	S	*	8/2009	Barker	.....	D32/31
D603,570	S	*	11/2009	Svantesson et al.	.....	D32/32
D622,016	S	*	8/2010	Hofmann-Kay et al.	.....	D32/32
D640,846	S	*	6/2011	Tinius	.....	D32/15
D658,832	S	*	5/2012	Eden et al.	.....	D32/32
D659,315	S	*	5/2012	Hollis et al.	.....	D32/33
D659,922	S	*	5/2012	Krohmer et al.	.....	D32/31
D659,923	S	*	5/2012	Dyson	.....	D32/33
D666,373	S	*	8/2012	Eden et al.	.....	D32/32
D681,895	S	*	5/2013	Heffernan	.....	D32/32
2004/0143931	A1	*	7/2004	Dennis	.....	15/414
2010/0088845	A1	*	4/2010	Kwon	.....	15/415.1
2011/0113592	A1	*	5/2011	Robison	.....	15/414
2011/0179598	A1	*	7/2011	Esteban	.....	15/415.1
2012/0073080	A1	*	3/2012	Yokoyama	.....	15/405

\* cited by examiner

*Primary Examiner* — Ruth McInroy

(74) *Attorney, Agent, or Firm* — John Yun

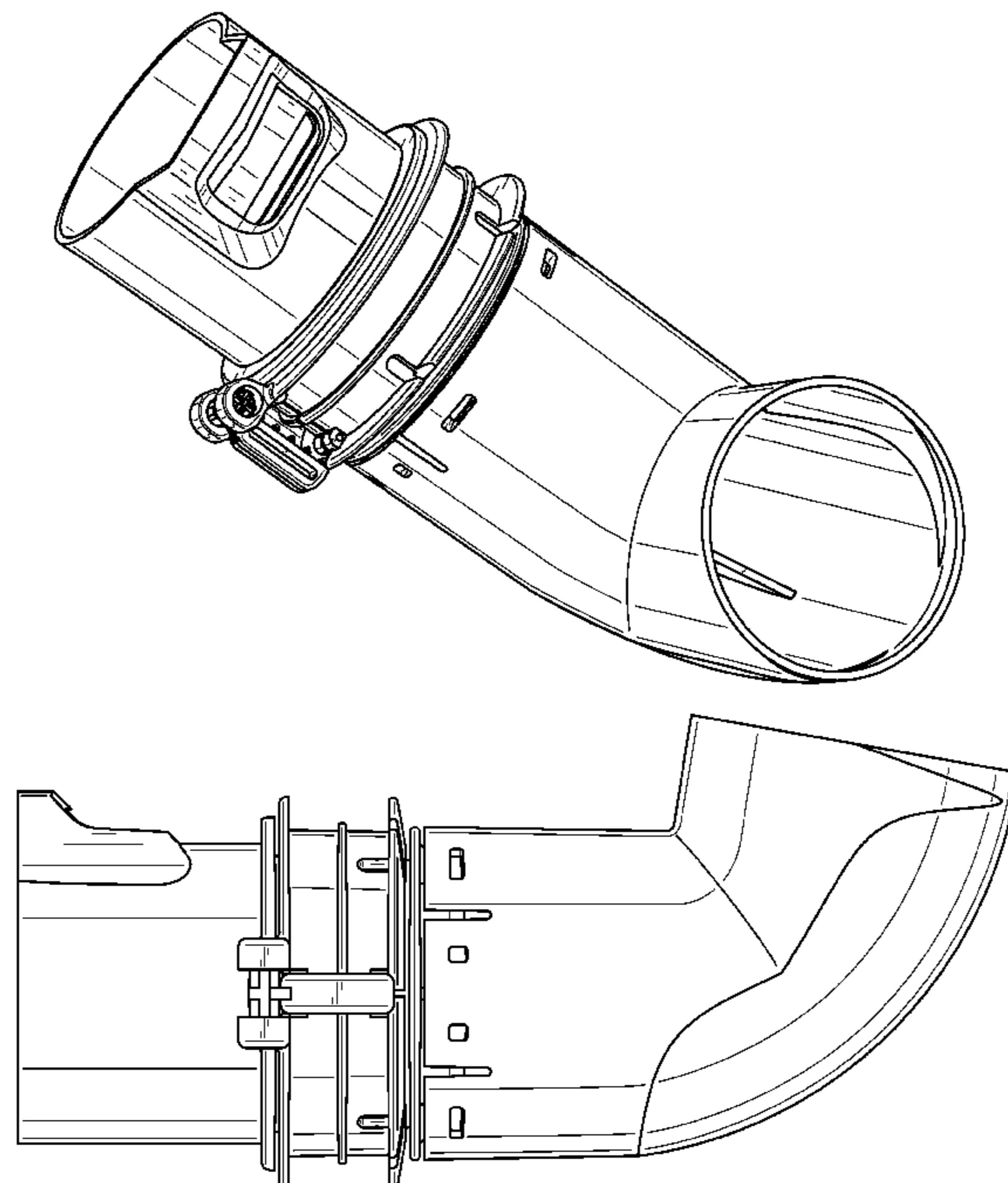
(57) **CLAIM**

The ornamental design for a rotatable cuff for a blower vac, as shown and described.

**DESCRIPTION**

FIG. 1 is a perspective view of a rotatable cuff for a blower vac showing my new design;  
FIG. 2 is a left side view thereof  
FIG. 3 is a right side view thereof;  
FIG. 4 is a front view thereof;  
FIG. 5 is a rear view thereof;  
FIG. 6 is a bottom plan view thereof; and,  
FIG. 7 is a top plan view thereof.

**1 Claim, 7 Drawing Sheets**



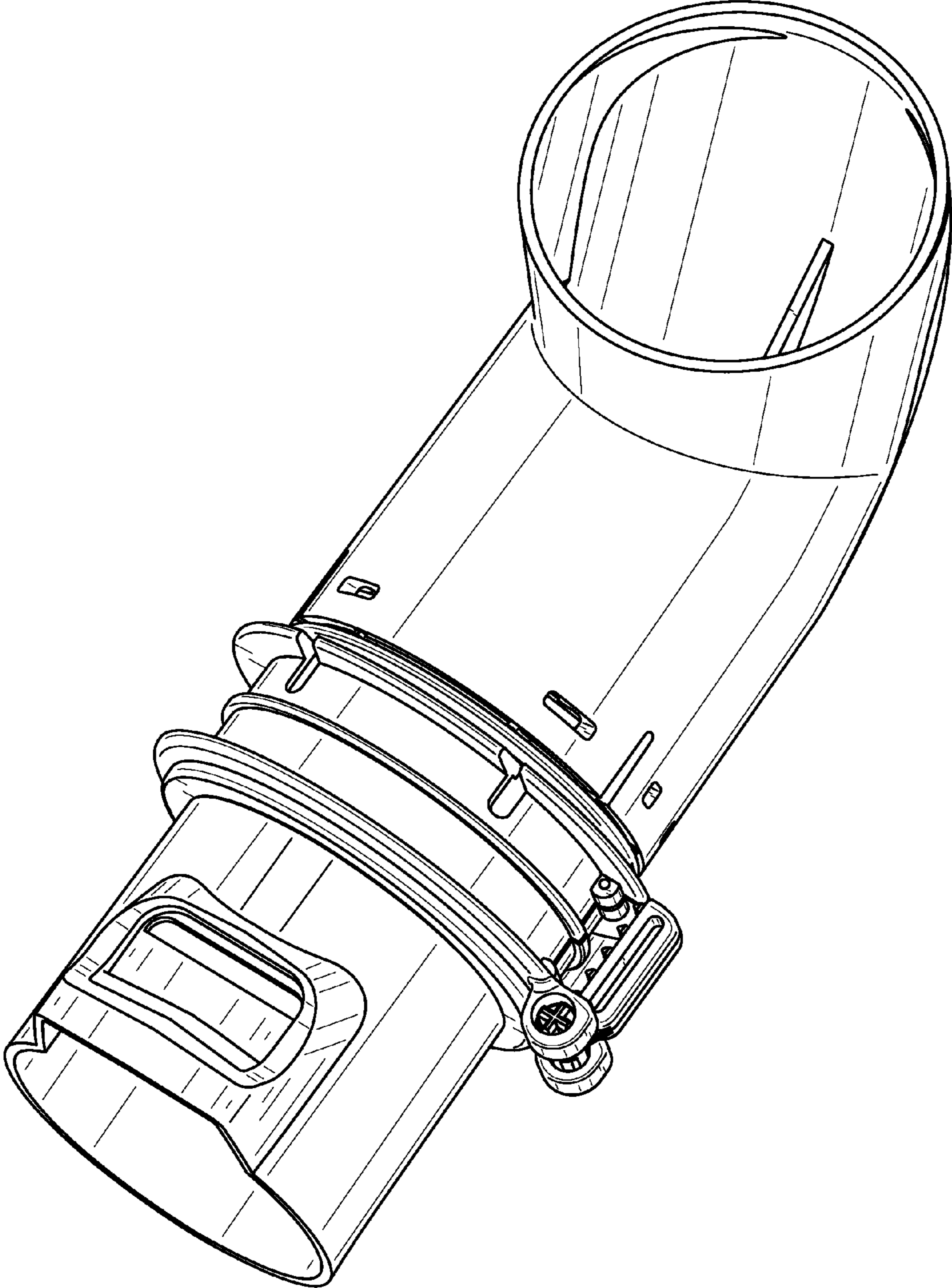


FIG. 1

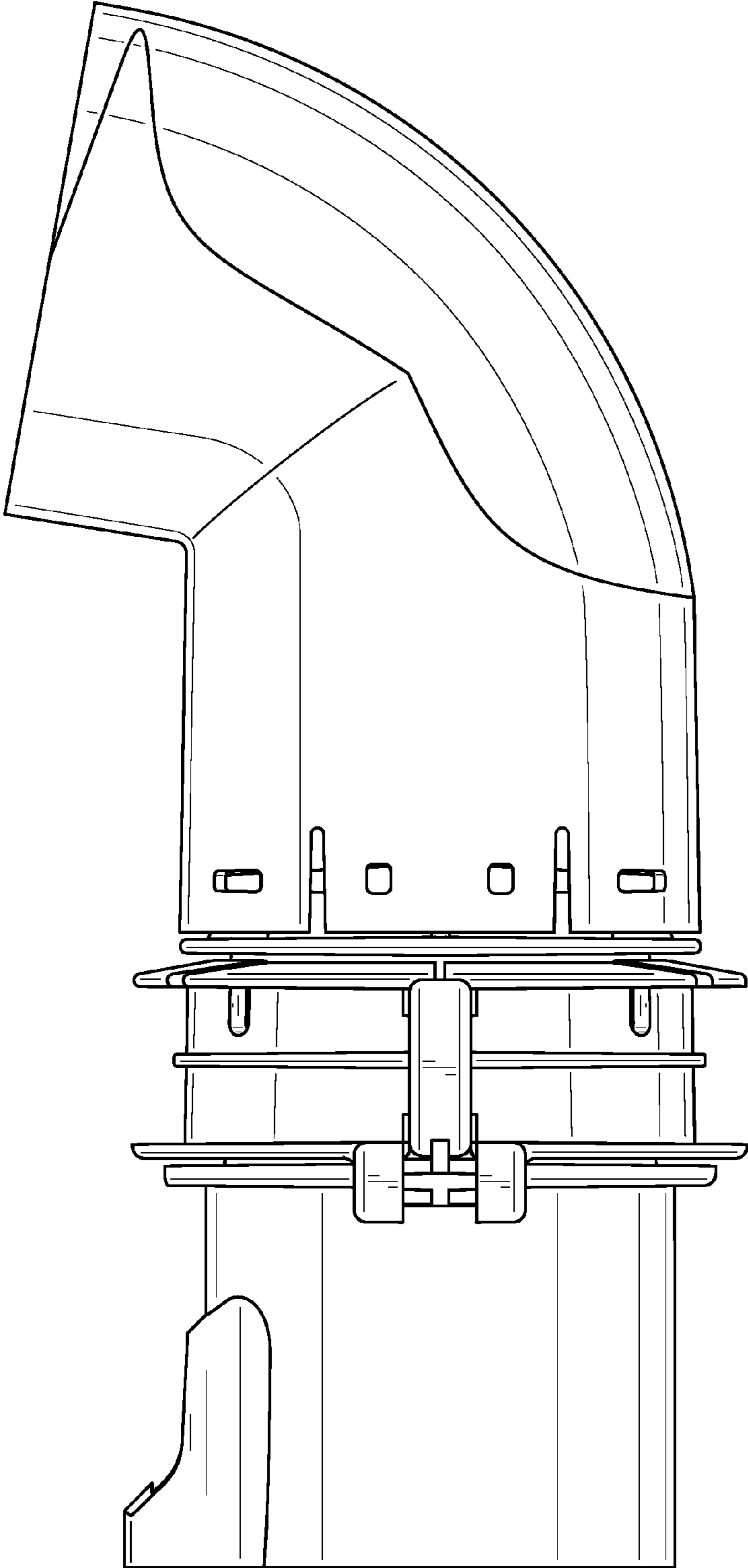


FIG. 2

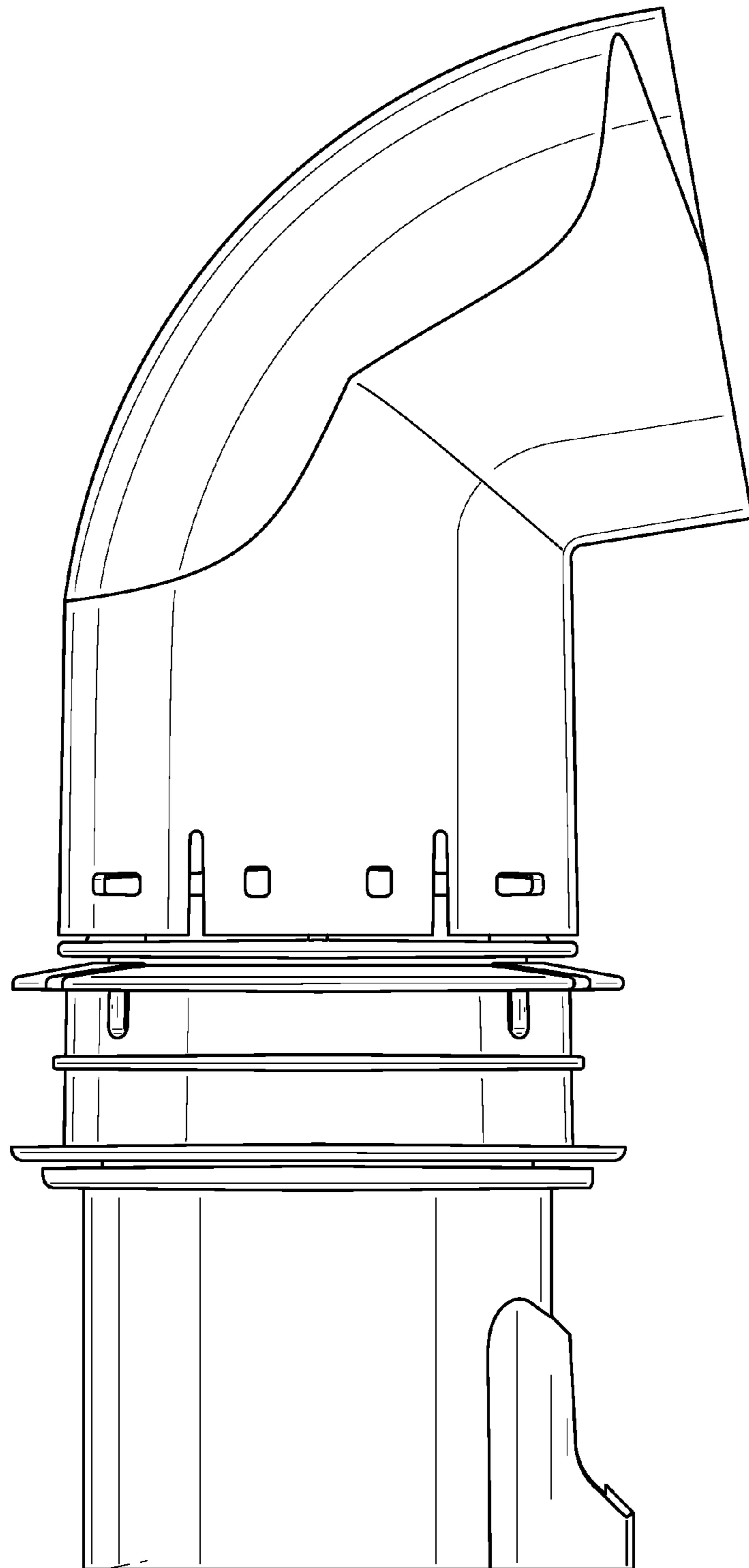


FIG. 3

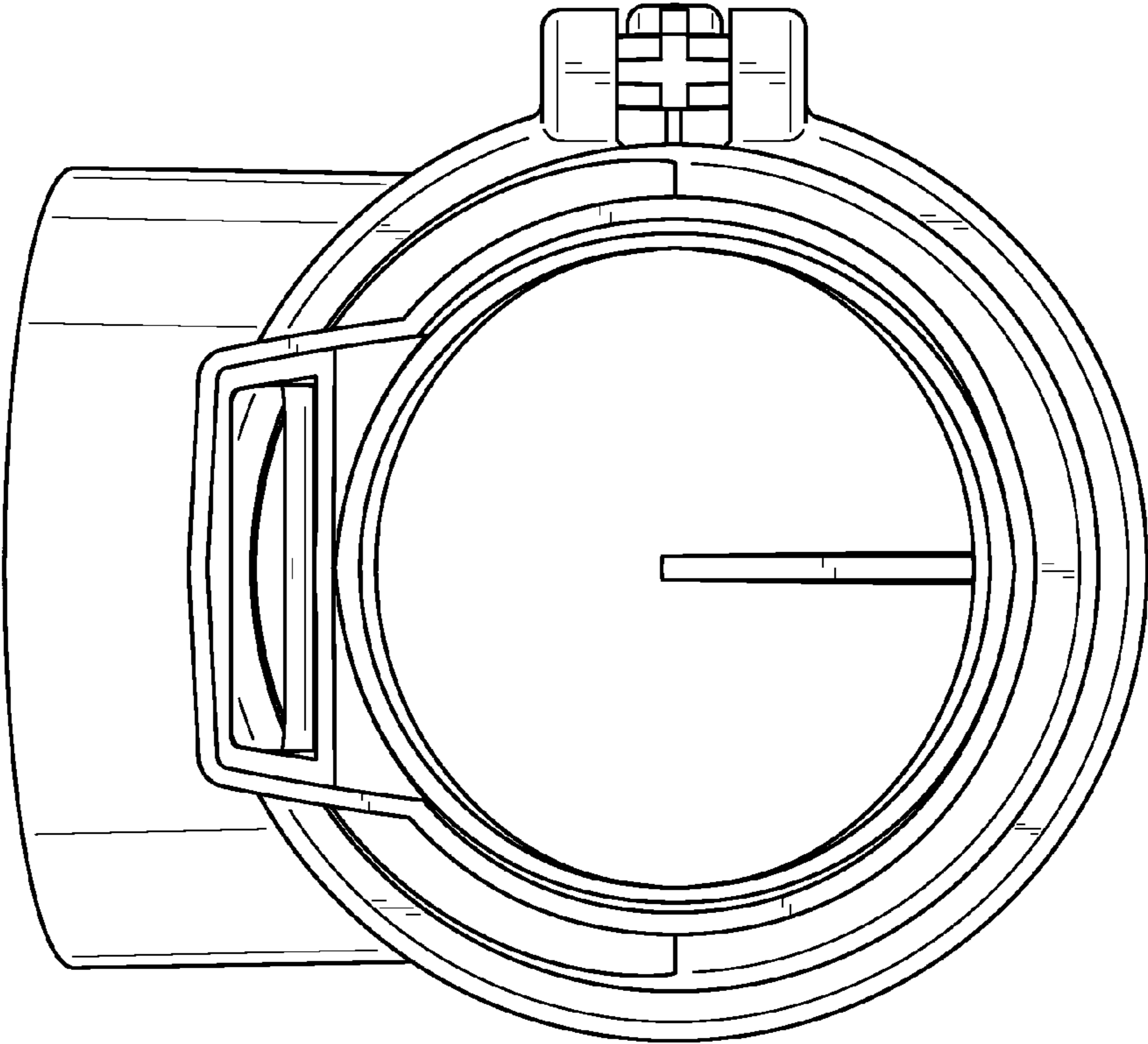


FIG. 4

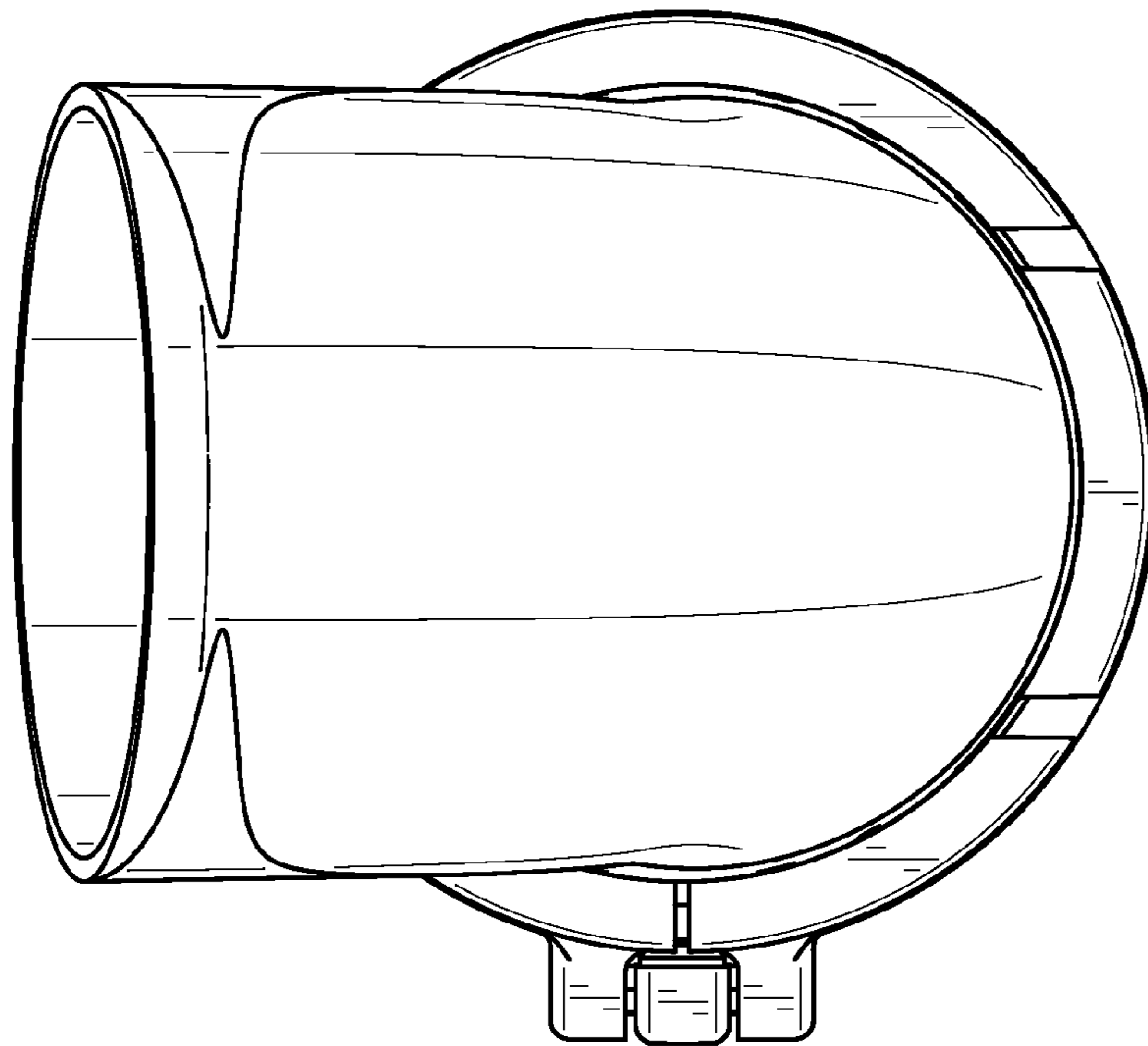


FIG. 5

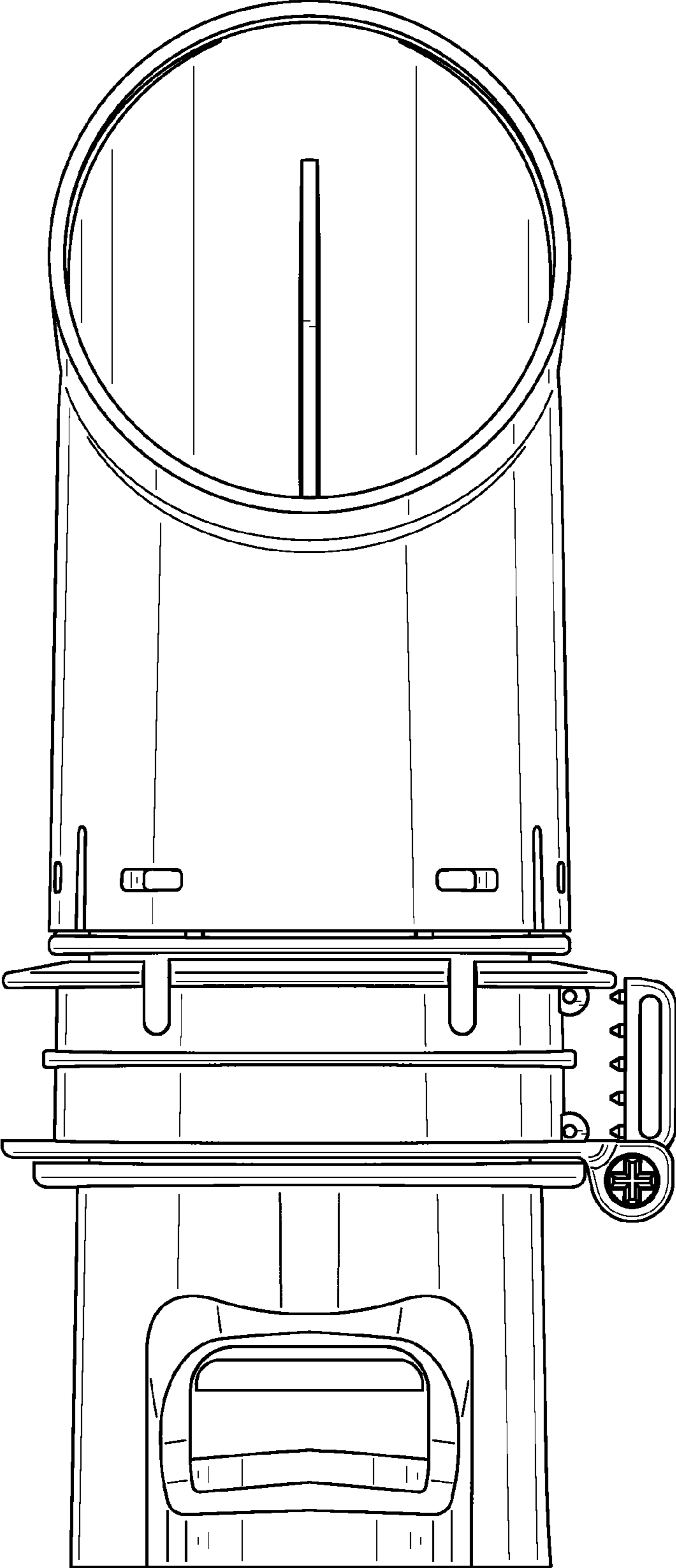


FIG. 6

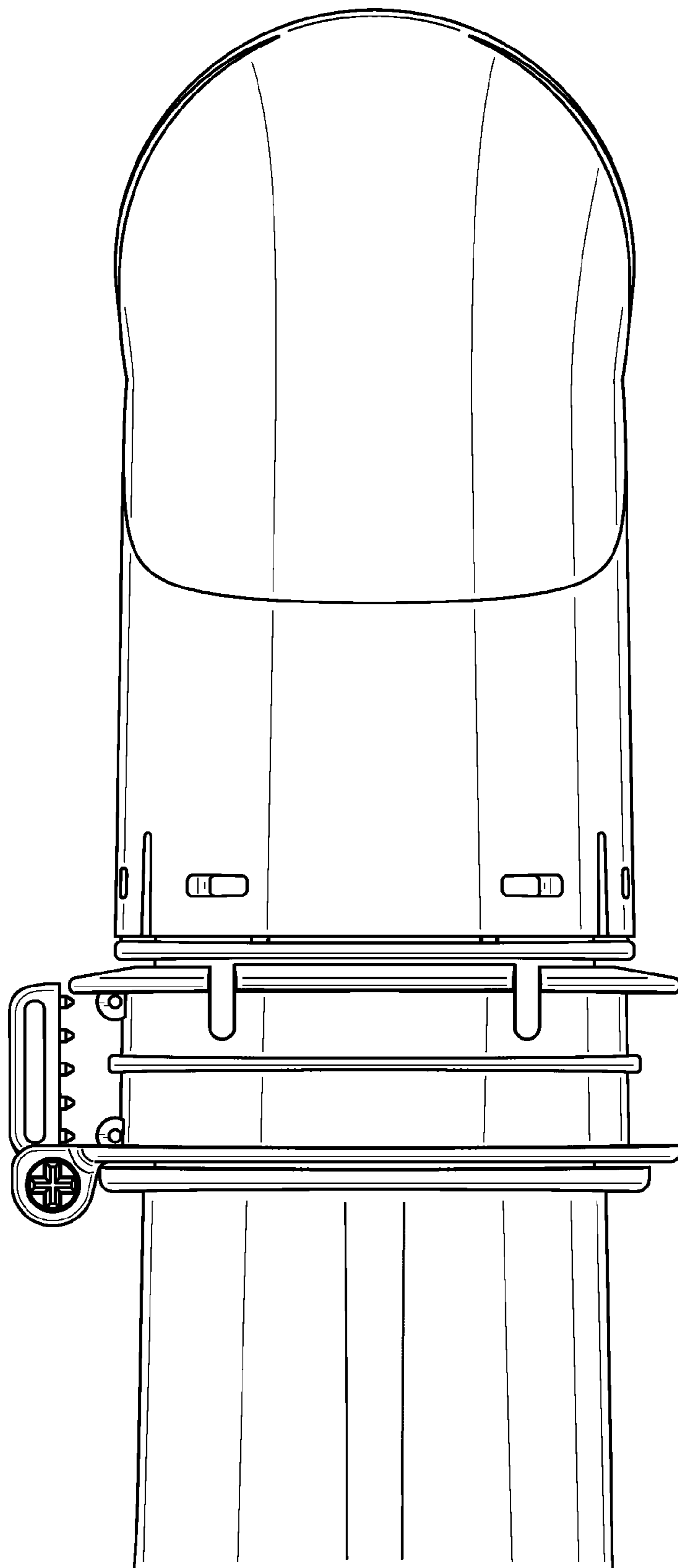


FIG. 7