



US00D701009S

(12) **United States Design Patent**  
**Jinnam et al.**

(10) **Patent No.:** **US D701,009 S**  
(45) **Date of Patent:** **\*\* Mar. 11, 2014**

(54) **WASHING MACHINE**

(71) Applicant: **Samsung Electronics Co., Ltd.**,  
Suwon-si (KR)

(72) Inventors: **Kim Jinnam**, Suwon-si (KR); **Choi Jaewon**, Seoul (KR); **Im SeungBin**, Yongin-si (KR); **Kim Kang-Doo**, Seoul (KR)

(73) Assignee: **Samsung Electronics Co., Ltd.**,  
Suwon-Si (KR)

(\*\*) Term: **14 Years**

(21) Appl. No.: **29/445,197**

(22) Filed: **Feb. 8, 2013**

(30) **Foreign Application Priority Data**

Aug. 24, 2012 (KR) ..... 30-2012-0040659

(51) **LOC (10) Cl.** ..... **15-05**

(52) **U.S. Cl.**  
USPC ..... **D32/6**

(58) **Field of Classification Search**

USPC ..... D32/1, 5, 6, 8, 10; 68/3 R, 4, 5 R, 12.01,  
68/12.07, 12.08, 212; 34/87-88, 523-524  
See application file for complete search history.

(56) **References Cited**

**U.S. PATENT DOCUMENTS**

D517,257 S \* 3/2006 Kim et al. .... D32/6  
D520,686 S \* 5/2006 Jeon et al. .... D32/6  
D528,712 S \* 9/2006 Ha et al. .... D32/6  
D528,713 S \* 9/2006 Ha et al. .... D32/6  
D529,242 S \* 9/2006 Ha et al. .... D32/6

D549,901 S \* 8/2007 Kwon et al. .... D32/6  
D550,907 S \* 9/2007 Jeon et al. .... D32/6  
D552,807 S \* 10/2007 Jeon et al. .... D32/6  
D557,465 S \* 12/2007 Kim ..... D32/6  
D582,105 S \* 12/2008 Cho et al. .... D32/6  
D618,864 S \* 6/2010 Jeon et al. .... D32/6  
D622,917 S \* 8/2010 Lee ..... D32/6  
D625,889 S \* 10/2010 Lee et al. .... D32/6  
D626,299 S \* 10/2010 Lee et al. .... D32/6  
D628,755 S \* 12/2010 Helot et al. .... D32/5  
D631,624 S \* 1/2011 Chung et al. .... D32/6  
D635,727 S \* 4/2011 Jeon et al. .... D32/6  
D636,953 S \* 4/2011 Lee ..... D32/6  
7,934,404 B2 \* 5/2011 Ha ..... 68/196  
D665,543 S \* 8/2012 Kim et al. .... D32/6  
D688,013 S \* 8/2013 Kim et al. .... D32/6

\* cited by examiner

*Primary Examiner* — T. Chase Nelson

*Assistant Examiner* — Kathleen M Sims

(74) *Attorney, Agent, or Firm* — Ladas & Parry LLP

(57) **CLAIM**

We claim the ornamental design for a washing machine, as shown and described.

**DESCRIPTION**

FIG. 1 is a front/right-side/top perspective view of a washing machine showing our new design;  
FIG. 2 is a front elevational view thereof;  
FIG. 3 is a rear elevational view thereof;  
FIG. 4 is a left-side elevational view thereof;  
FIG. 5 is a right-side elevational view thereof;  
FIG. 6 is a top plan view thereof; and,  
FIG. 7 is a bottom plan view thereof.

Features shown in broken lines are disclaimed and form no part of the claimed design.

**1 Claim, 7 Drawing Sheets**

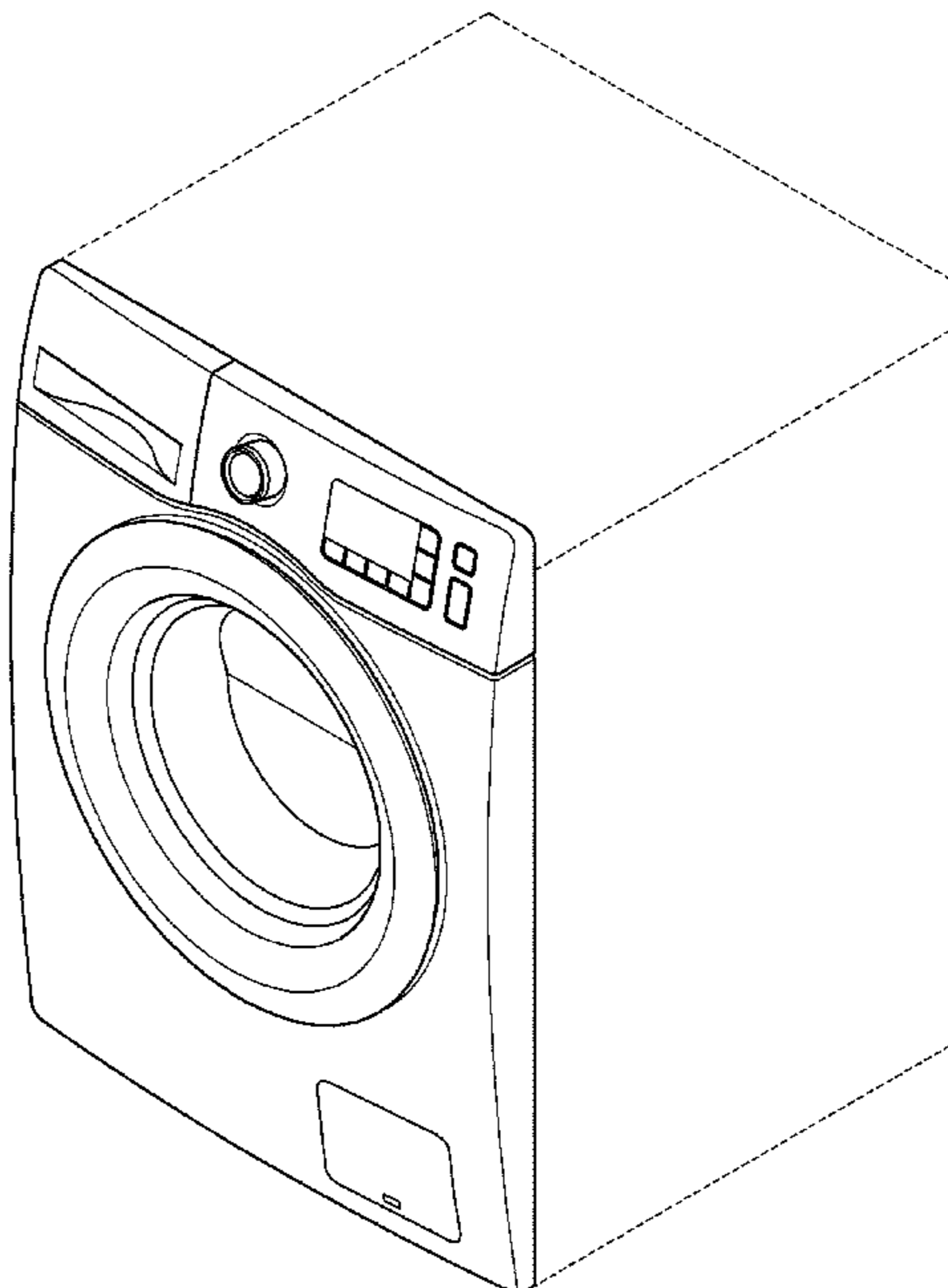
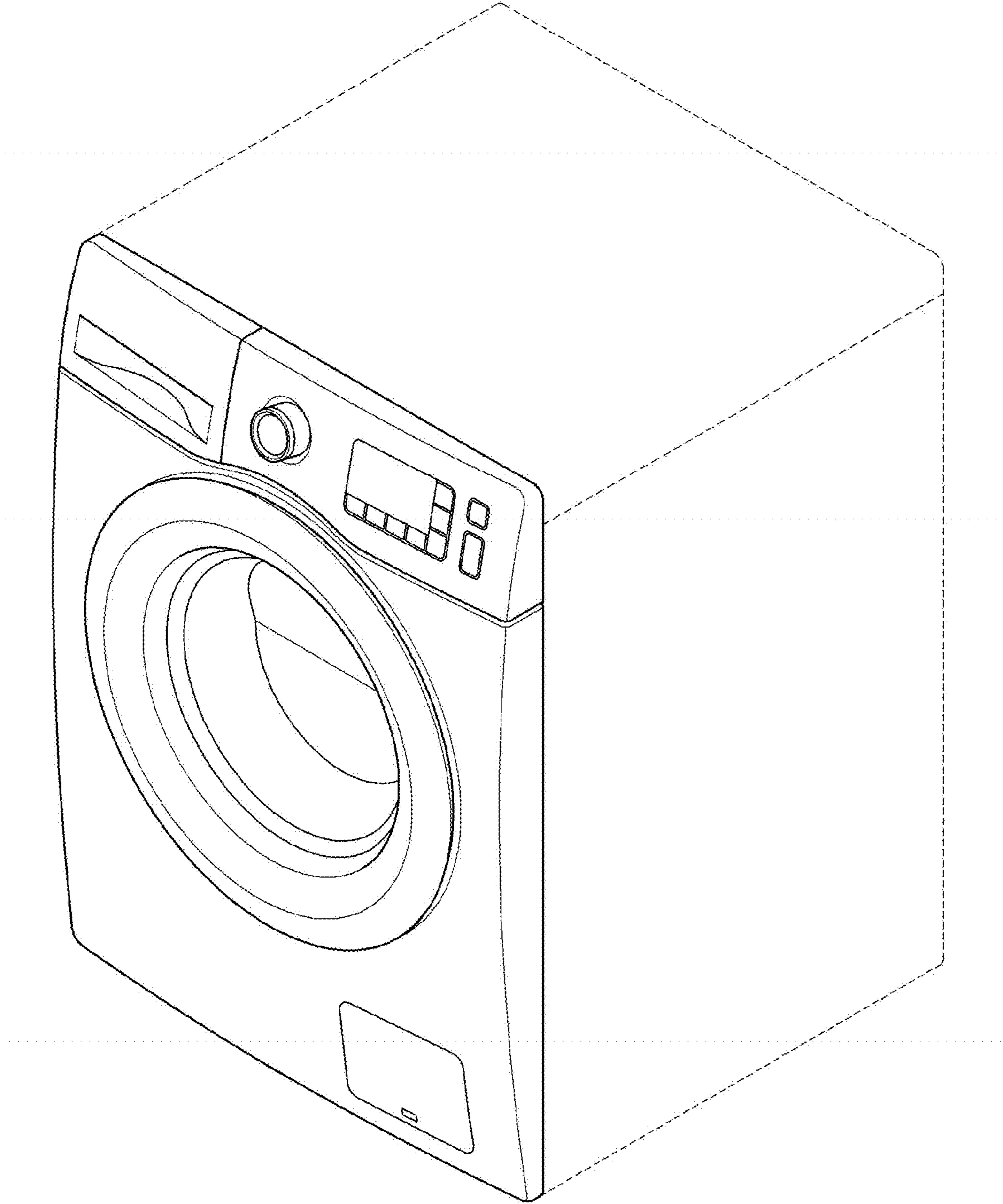
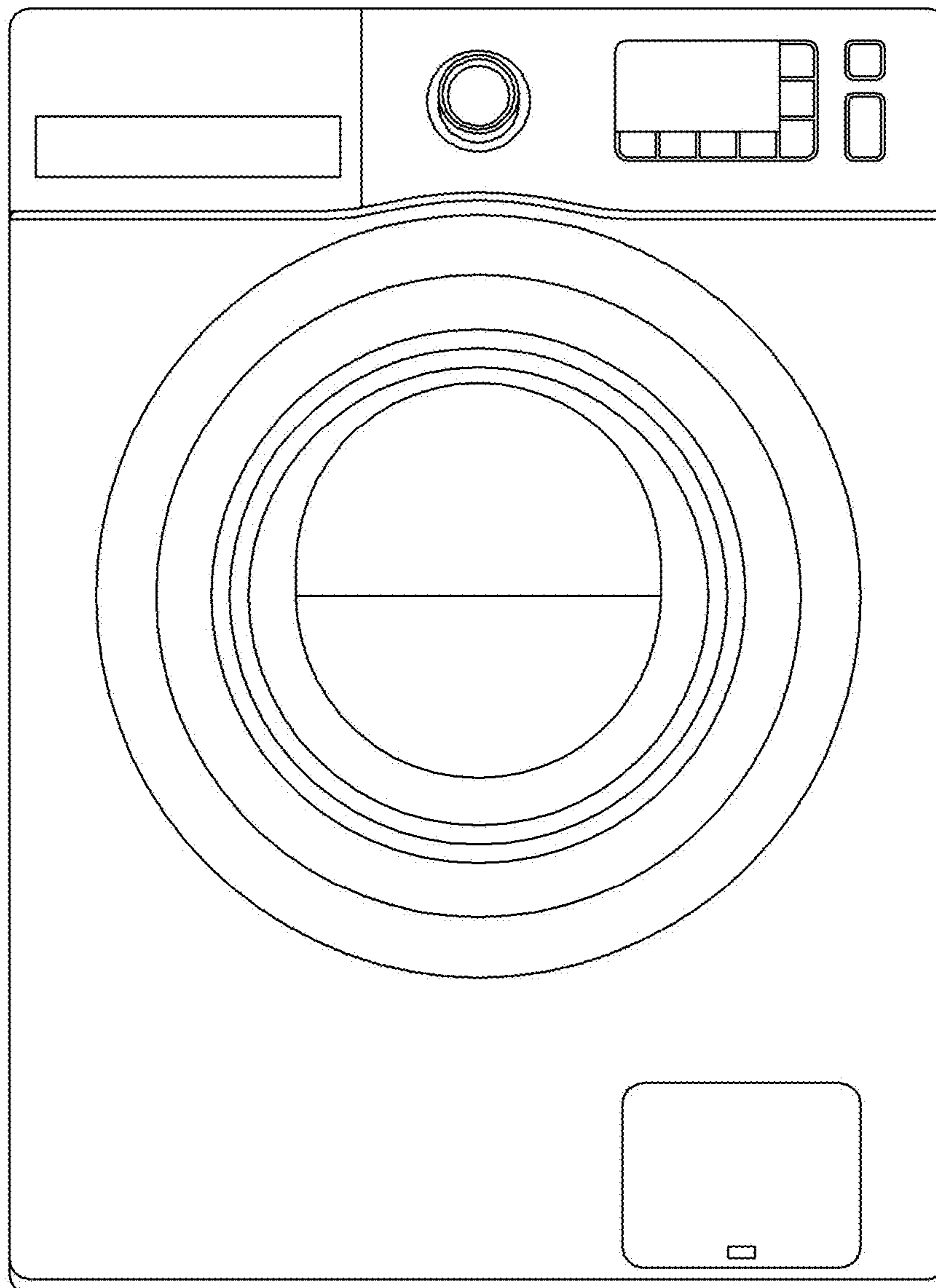


FIG. 1



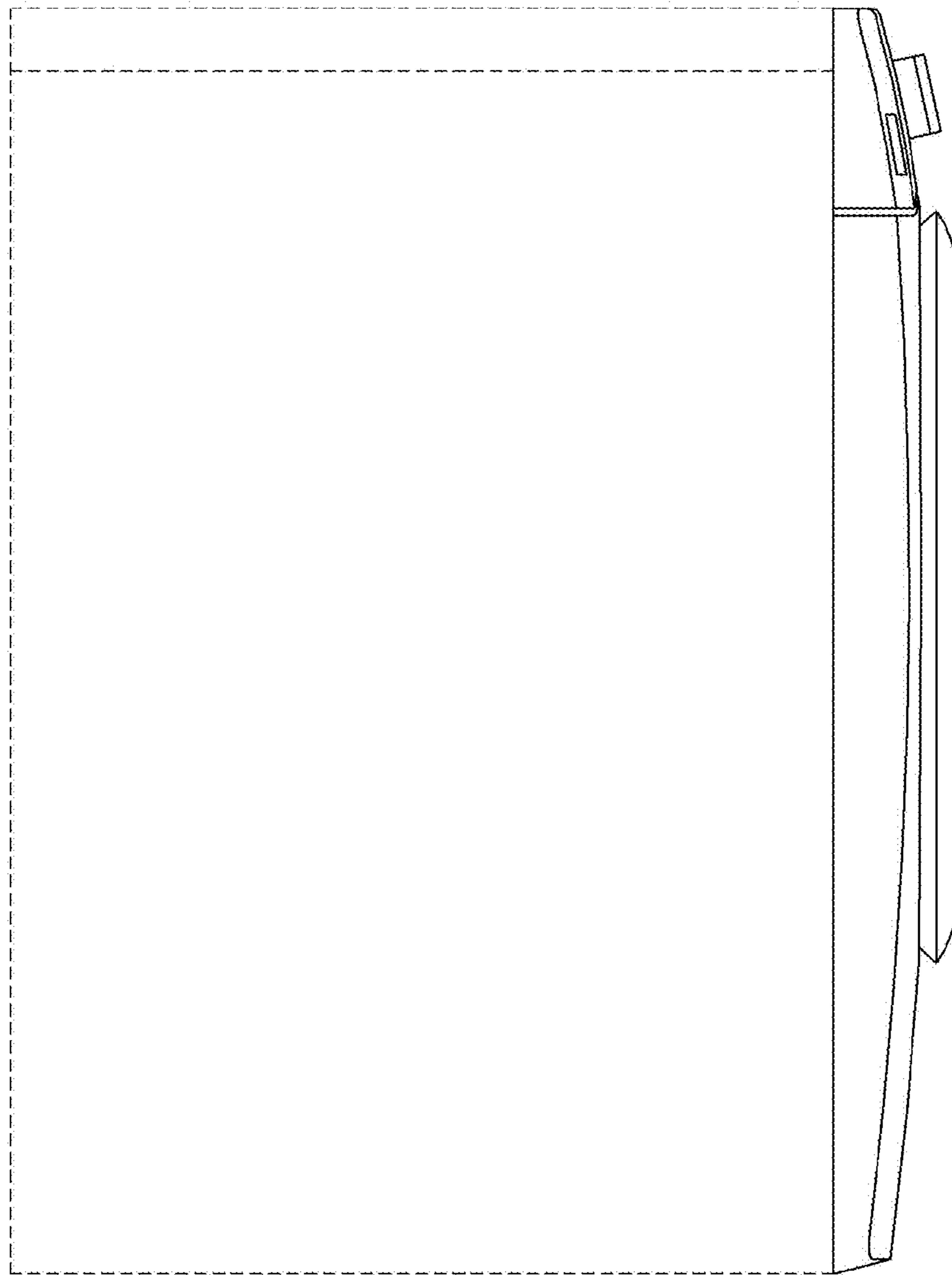
**FIG. 2**



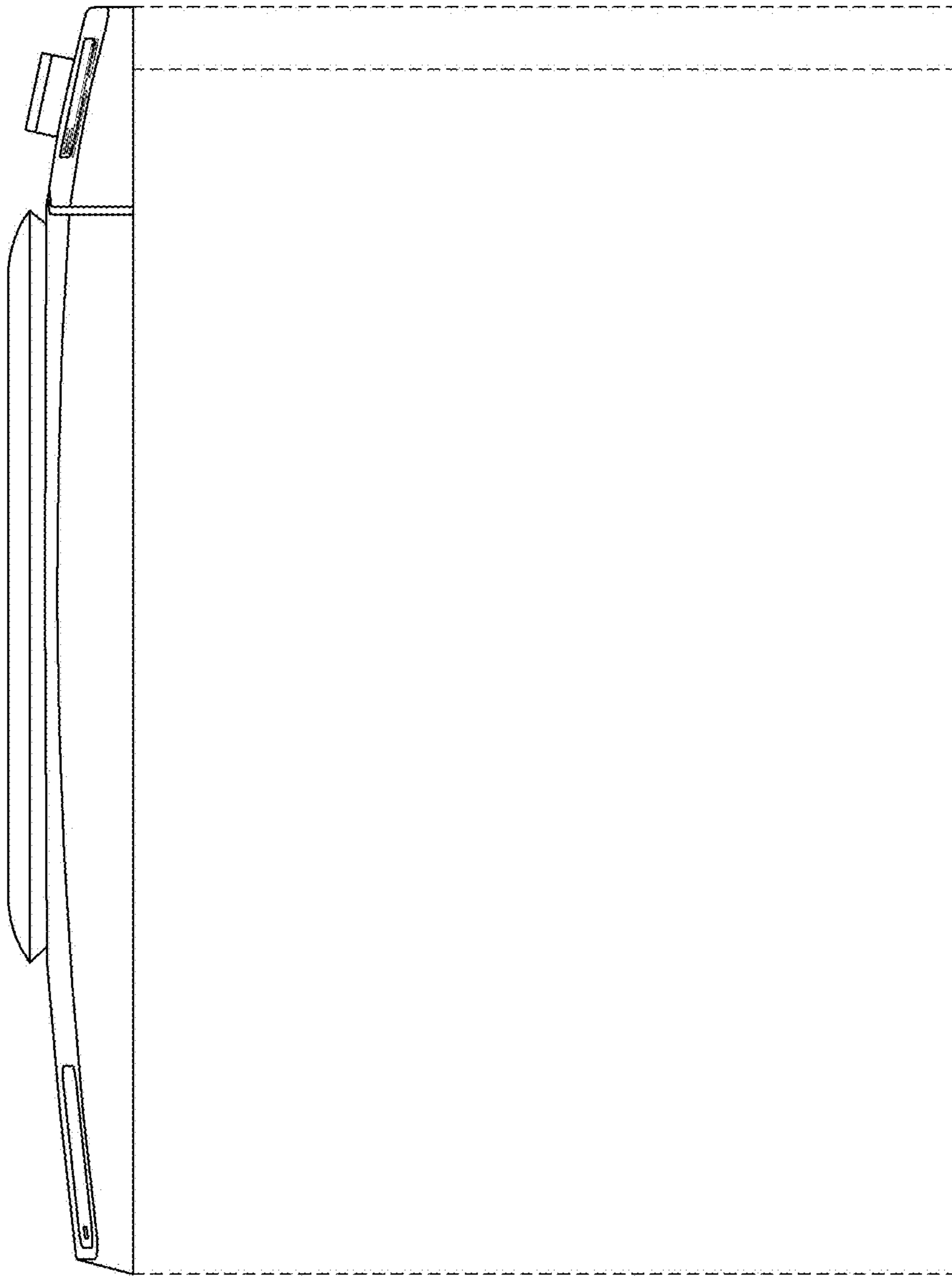
**FIG. 3**



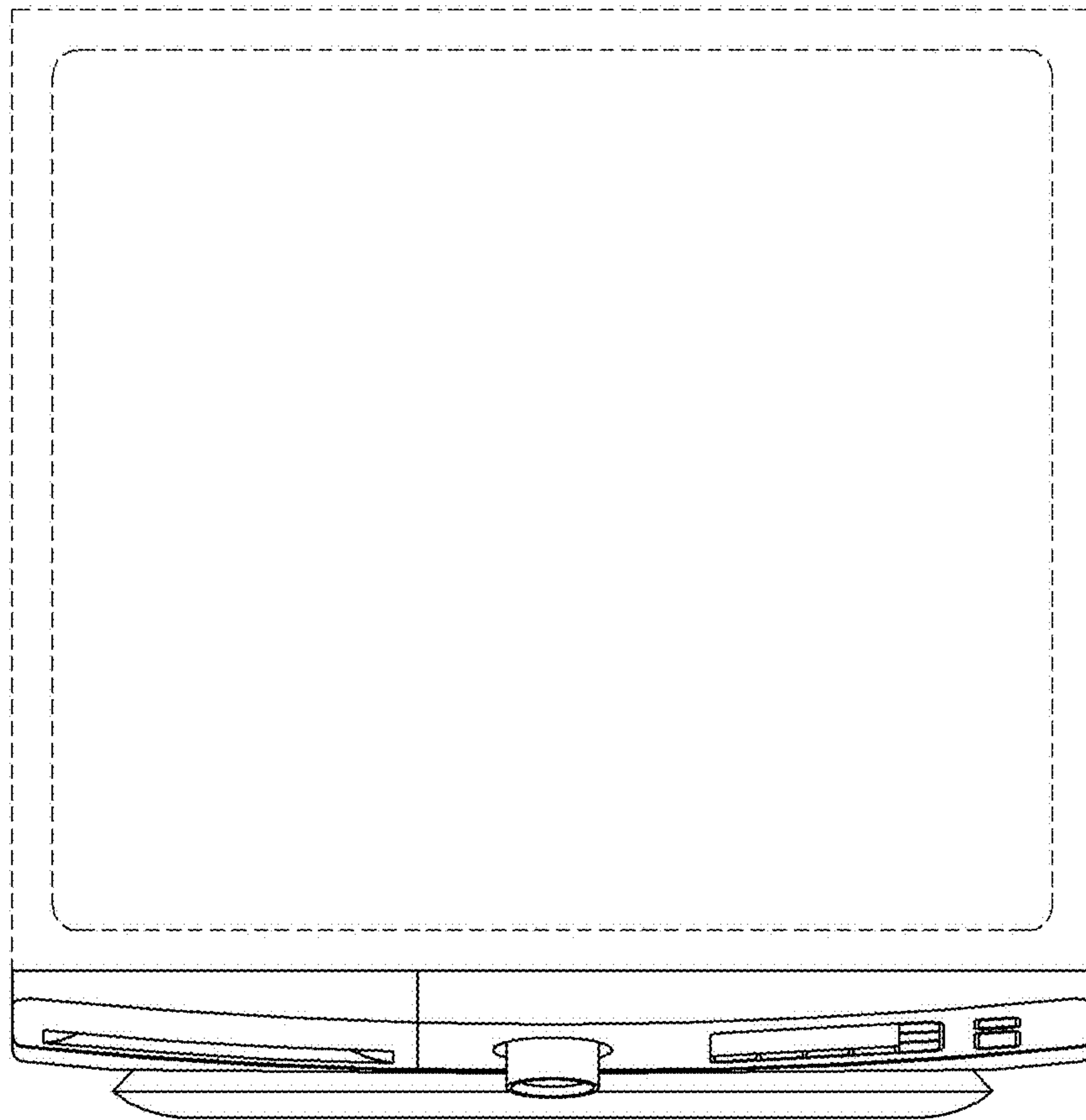
**FIG. 4**



**FIG. 5**



**FIG. 6**



**FIG. 7**

