



US00D701005S

(12) **United States Design Patent**
Gilkey et al.

(10) **Patent No.:** **US D701,005 S**
(45) **Date of Patent:** **** Mar. 11, 2014**

- (54) **PET WATER DISH**
- (71) Applicants: **Rebecca A. Gilkey**, Mercer, PA (US);
David L. Stanley, Sharon, PA (US)
- (72) Inventors: **Rebecca A. Gilkey**, Mercer, PA (US);
David L. Stanley, Sharon, PA (US)
- (**) Term: **14 Years**
- (21) Appl. No.: **29/472,126**
- (22) Filed: **Nov. 8, 2013**
- (51) **LOC (10) Cl.** **30-03**
- (52) **U.S. Cl.**
USPC **D30/133; D30/129; D30/121; D30/132**
- (58) **Field of Classification Search**
USPC **D30/133, 121, 128, 130, 132; 119/52.1,**
119/55, 61.5, 61.6; D6/480-485; 248/188;
312/204; 108/153.1-157
See application file for complete search history.

- D231,887 S * 6/1974 Kephart D6/484
- D234,915 S * 4/1975 Freedman D9/572
- 4,022,160 A * 5/1977 Lester 119/51.01
- D252,310 S * 7/1979 Shannon D7/619.1
- D257,068 S * 9/1980 Imhoff D30/129
- D257,494 S * 11/1980 Imhoff D30/129
- 4,257,353 A * 3/1981 Imhoff 119/61.56
- D260,043 S * 7/1981 Robinson D30/129
- 4,488,697 A * 12/1984 Garvey 248/101
- 4,562,983 A * 1/1986 Klefbeck 248/97
- 4,572,251 A * 2/1986 Drury 141/1
- 4,587,930 A * 5/1986 Trego 119/61.57
- D287,920 S * 1/1987 Lanier D7/624.2
- 4,658,759 A * 4/1987 Brown 119/61.5
- D289,807 S * 5/1987 Russell D30/129
- 4,667,911 A * 5/1987 Farris et al. 248/97
- D300,672 S * 4/1989 Seymour et al. D27/102
- 4,899,967 A * 2/1990 Johnson 248/97
- 4,953,507 A * 9/1990 Robinson 119/73
- D312,028 S * 11/1990 Pinette, Jr. D7/624.1
- D312,191 S * 11/1990 Pinette, Jr. D7/624.1
- 5,000,123 A * 3/1991 Morse et al. 119/61.54
- D316,014 S * 4/1991 Pinette, Jr. D7/624.1
- D316,501 S * 4/1991 Pinette, Jr. D7/624.1
- 5,042,759 A * 8/1991 Blair 248/146

(Continued)

(56) **References Cited**
U.S. PATENT DOCUMENTS

- 779,924 A * 1/1905 Gommel 47/41.01
- D44,466 S * 8/1913 Brunhoff D99/34
- D44,657 S * 9/1913 Brunhoff D99/34
- 1,342,807 A * 6/1920 Harrington 220/4.12
- 1,359,388 A * 11/1920 Koerner 47/47
- 1,560,404 A * 11/1925 Brown 47/47
- 1,779,867 A * 10/1930 Ahrold 248/146
- D87,681 S * 8/1932 Petty D9/560
- D98,958 S * 3/1936 Piazzoli D9/573
- 2,061,957 A * 11/1936 Brown 312/228
- 2,184,994 A * 12/1939 Dyke 131/235.1
- D132,421 S * 5/1942 Krapp D30/133
- 2,366,584 A * 1/1945 Woodward 119/72
- D148,608 S * 2/1948 Bullock D30/104
- D192,550 S * 4/1962 Wright D7/366
- D193,654 S * 9/1962 Van Voorhuis D30/129
- 3,259,106 A * 7/1966 Ray et al. 119/51.03
- D217,360 S * 4/1970 Robert D30/133

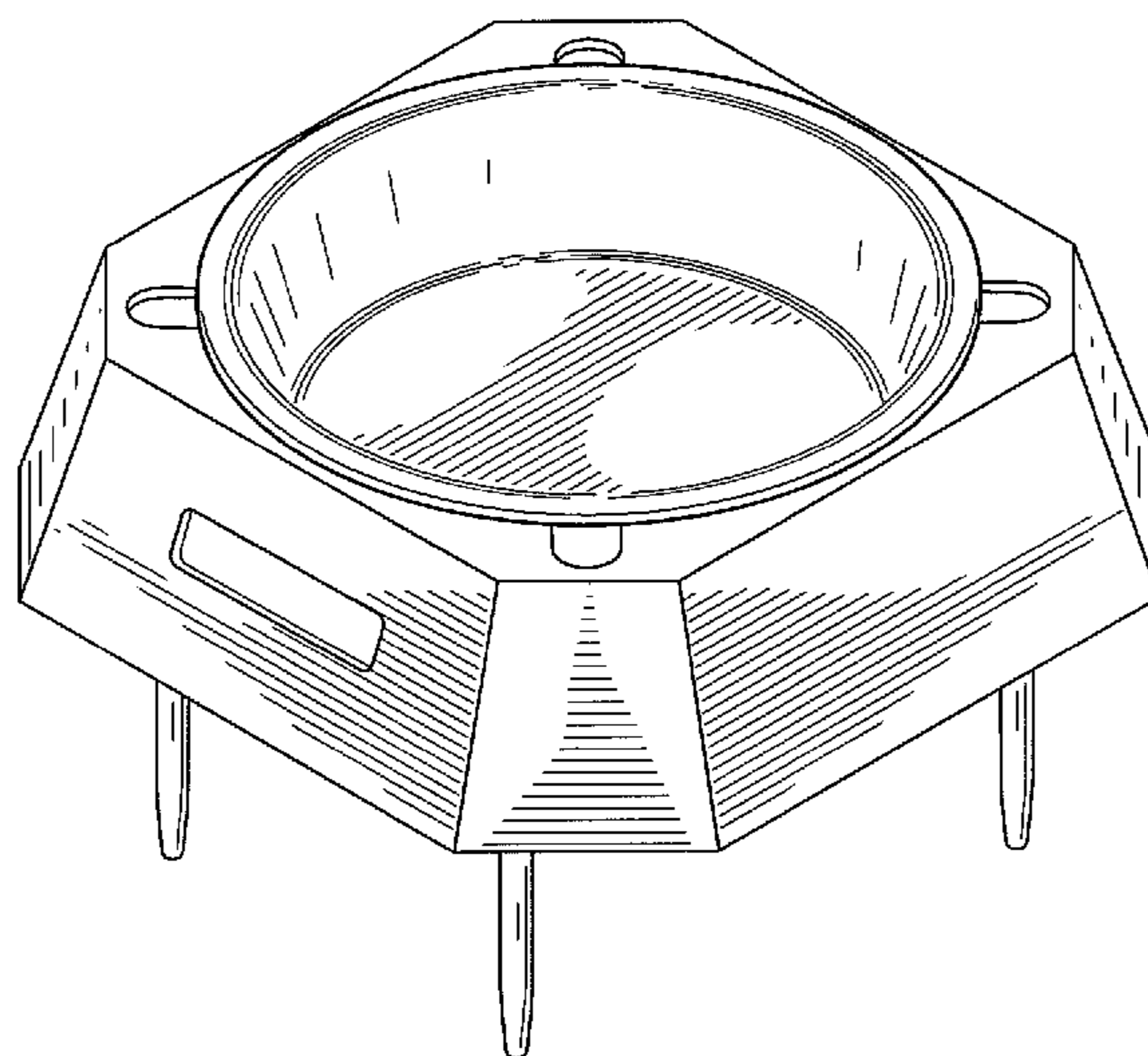
Primary Examiner — Susan Moon Lee
(74) *Attorney, Agent, or Firm* — Harpman & Harpman

(57) **CLAIM**
The ornamental design for a pet water dish, as shown and described.

DESCRIPTION

FIG. 1 is a front and side perspective view of the design for a pet water dish.
FIG. 2 is a left side elevational view thereof.
FIG. 3 is a rear elevational view thereof.
FIG. 4 is a bottom, front and side perspective view of the design for a pet water dish; and,
FIG. 5 is a bottom plan view thereof.

1 Claim, 3 Drawing Sheets



(56)

References Cited

U.S. PATENT DOCUMENTS

5,046,587	A *	9/1991	Jones	188/32	D494,325	S *	8/2004	Paterson	D30/121
5,060,893	A *	10/1991	Halbert	248/97	6,783,023	B1 *	8/2004	Fan	220/571
D321,498	S *	11/1991	Jones	D12/217	6,840,191	B2 *	1/2005	Gasparly et al.	119/61.5
5,125,364	A *	6/1992	Sagucio	119/61.53	D505,625	S *	5/2005	Servaux et al.	D9/560
D330,816	S *	11/1992	Phillips	D6/457	D515,877	S *	2/2006	Czepowicz et al.	D7/619.1
D331,538	S *	12/1992	Fabre	D9/455	D515,878	S *	2/2006	Czepowicz et al.	D7/619.1
D331,792	S *	12/1992	Wilcox	D23/206	D526,537	S *	8/2006	Rosenberg et al.	D7/619.1
D336,555	S *	6/1993	Goetz	D30/131	D529,838	S *	10/2006	Boling	D11/164
D338,088	S *	8/1993	Bailey	D30/131	7,328,663	B2 *	2/2008	Leng	108/157.14
5,285,749	A *	2/1994	Byer	119/61.53	7,441,514	B2 *	10/2008	Dana et al.	119/61.5
5,347,979	A *	9/1994	Haber	126/43	D579,784	S *	11/2008	Varlet	D9/546
D363,255	S *	10/1995	Helms et al.	D11/164	D607,699	S *	1/2010	Wikstrom	D7/624.1
5,499,787	A *	3/1996	Bonomo	248/97	7,665,417	B1 *	2/2010	Harper	119/51.01
5,509,376	A *	4/1996	Tsengas	119/51.5	7,730,852	B2 *	6/2010	Kramer	119/61.5
D378,149	S *	2/1997	Mann	D30/133	D625,885	S *	10/2010	Bianchi	D30/129
5,619,952	A *	4/1997	Walker	119/61.53	8,006,433	B1 *	8/2011	Bryanton	47/45
D383,225	S *	9/1997	Wolfard et al.	D26/23	8,087,528	B1 *	1/2012	Scarlett et al.	220/23.89
D383,271	S *	9/1997	Eshelman	D32/54	D653,914	S *	2/2012	Lutz	D7/624.1
5,730,083	A *	3/1998	Walker	83/699.41	D655,054	S *	2/2012	Lipscomb et al.	D30/129
5,794,565	A *	8/1998	Beshah	119/61.54	D658,267	S *	4/2012	Brockington et al.	D23/206
5,839,711	A *	11/1998	Bieck et al.	248/313	D659,913	S *	5/2012	Spectre et al.	D30/130
D405,290	S *	2/1999	Hollinger	D6/403	D665,541	S *	8/2012	Shamoon	D30/133
D406,925	S *	3/1999	Sharon	D30/129	D667,698	S *	9/2012	Tupy et al.	D7/619.1
D410,781	S *	6/1999	Sharon	D30/129	8,342,129	B2 *	1/2013	Harper	119/61.5
D412,605	S *	8/1999	Sharon	D30/129	8,353,496	B2 *	1/2013	Schwartz	248/346.03
5,992,662	A *	11/1999	Holt et al.	215/395	D677,128	S *	3/2013	Roesser	D7/625
5,996,531	A *	12/1999	Anderson	119/61.53	D679,553	S *	4/2013	Williams et al.	D7/619.1
6,047,849	A *	4/2000	Schwegman et al.	220/737	D682,485	S *	5/2013	Wygle	D30/133
D426,752	S *	6/2000	Whaley	D7/619.1	8,540,108	B2 *	9/2013	Kim	220/574.2
6,089,187	A *	7/2000	Gasparly	119/61.5	2002/0179796	A1 *	12/2002	Kaupp et al.	248/311.2
D446,361	S *	8/2001	Elliott	D30/129	2004/0011934	A1 *	1/2004	Czepowicz et al.	248/311.2
D448,978	S *	10/2001	Isbell	D7/619.1	2004/0021048	A1 *	2/2004	Schaal	248/310
6,302,291	B1 *	10/2001	McCleerey	220/630	2004/0118860	A1 *	6/2004	Leopold et al.	220/737
D451,709	S *	12/2001	Heithecker	D6/472	2004/0182326	A1 *	9/2004	Polimeni, Jr.	119/51.5
D456,307	S *	4/2002	Fan	D11/152	2005/0039689	A1 *	2/2005	Mossmer	119/61.5
D460,717	S *	7/2002	Fan	D11/152	2005/0139162	A1 *	6/2005	Polimeni	119/51.5
6,513,280	B2 *	2/2003	Roberts	43/109	2006/0113200	A1 *	6/2006	Abkarian et al.	206/217
6,568,526	B1 *	5/2003	Reinhardt et al.	206/310	2010/0102073	A1 *	4/2010	Henrie	220/737
					2010/0275852	A1 *	11/2010	Lipscomb et al.	119/61.5

* cited by examiner

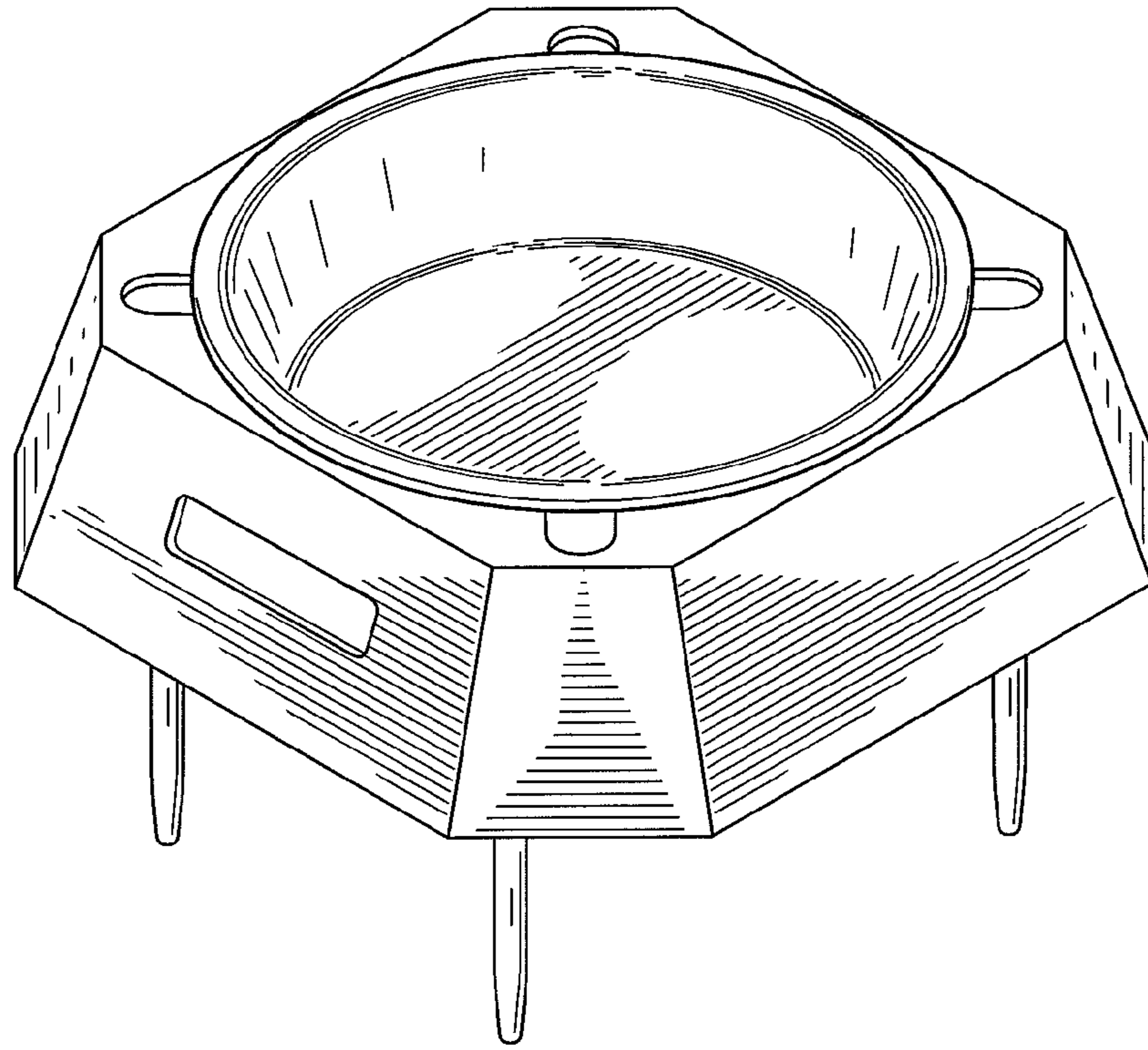


FIG. 1

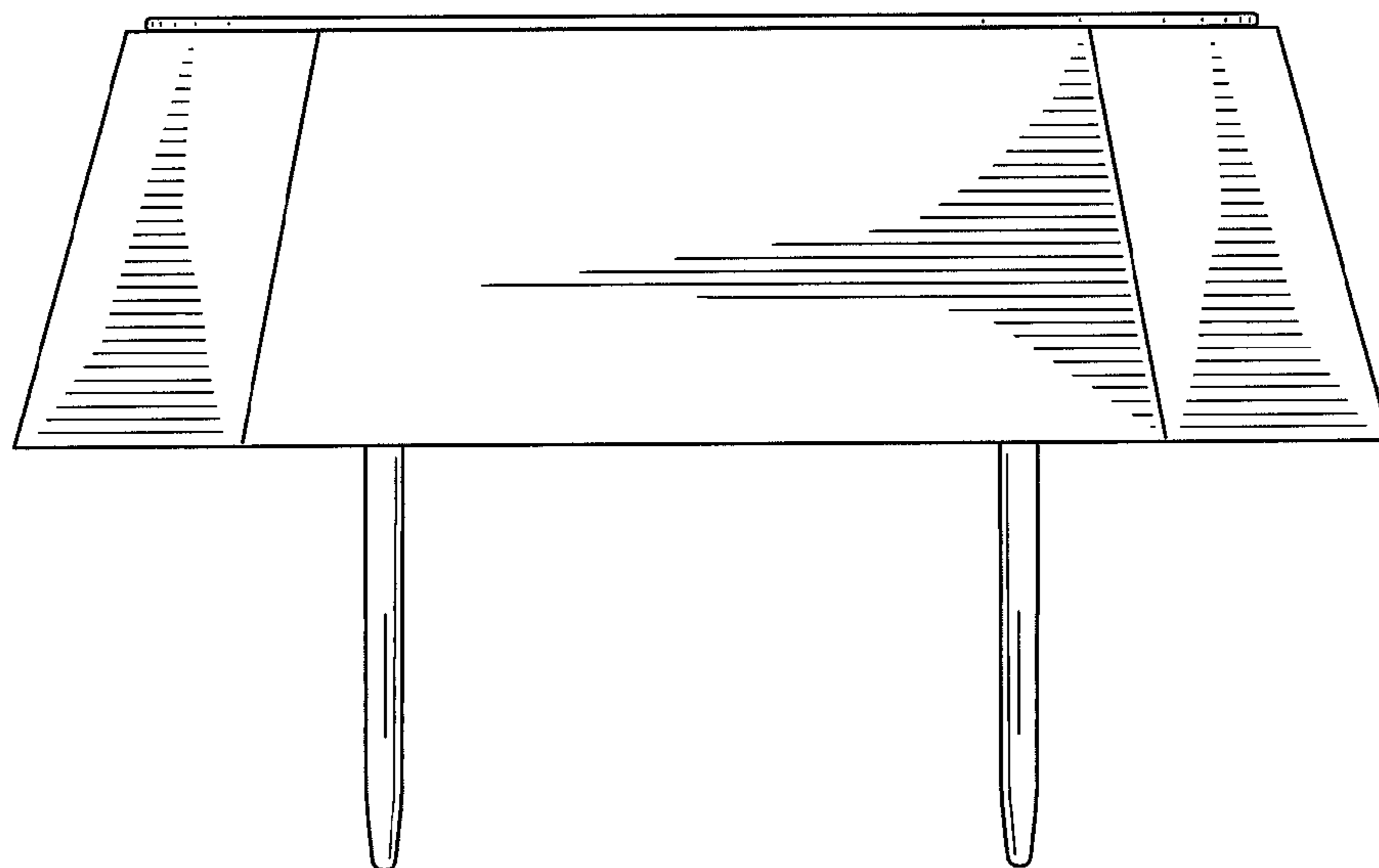


FIG. 2

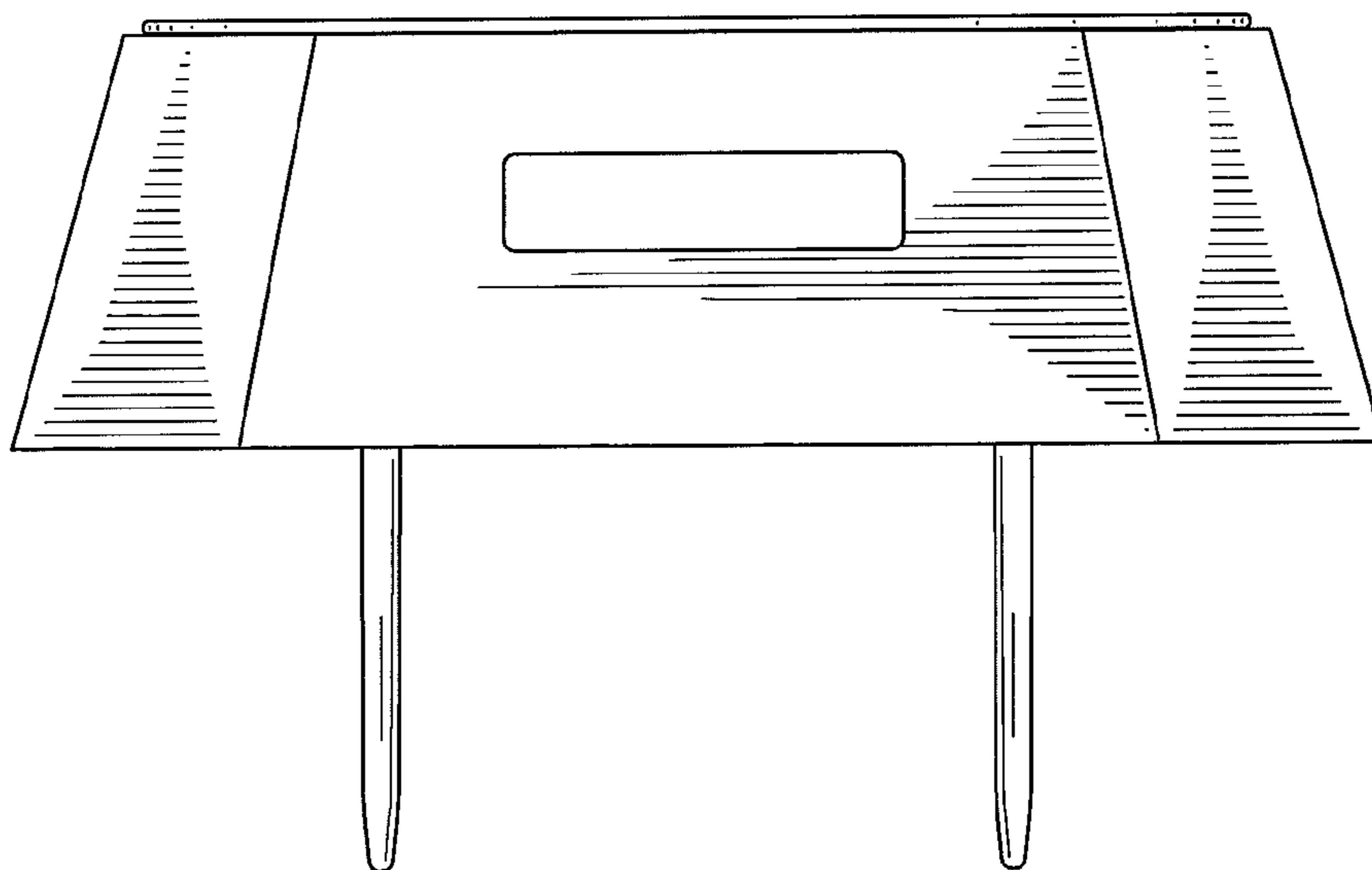


FIG. 3

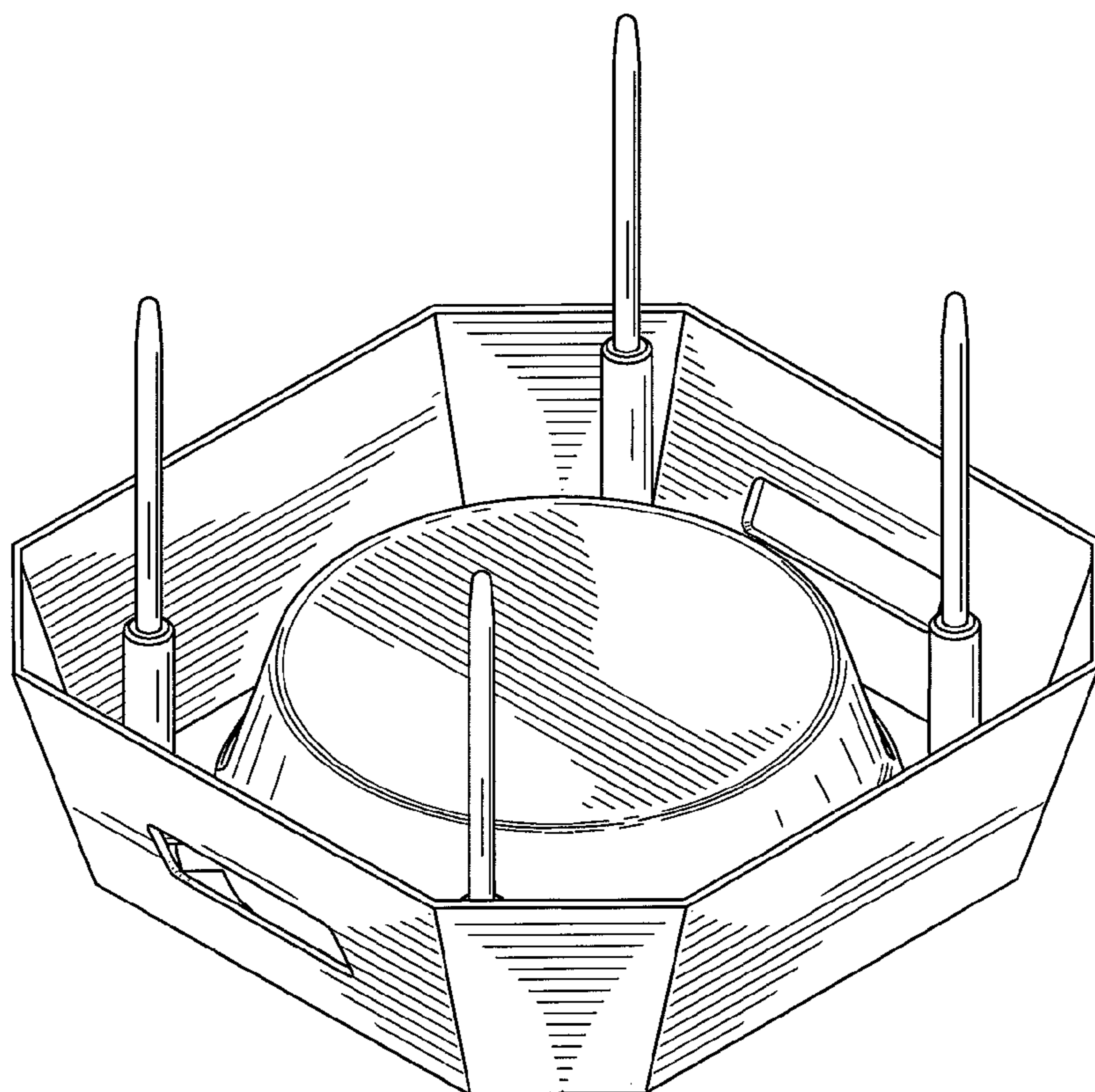


FIG. 4

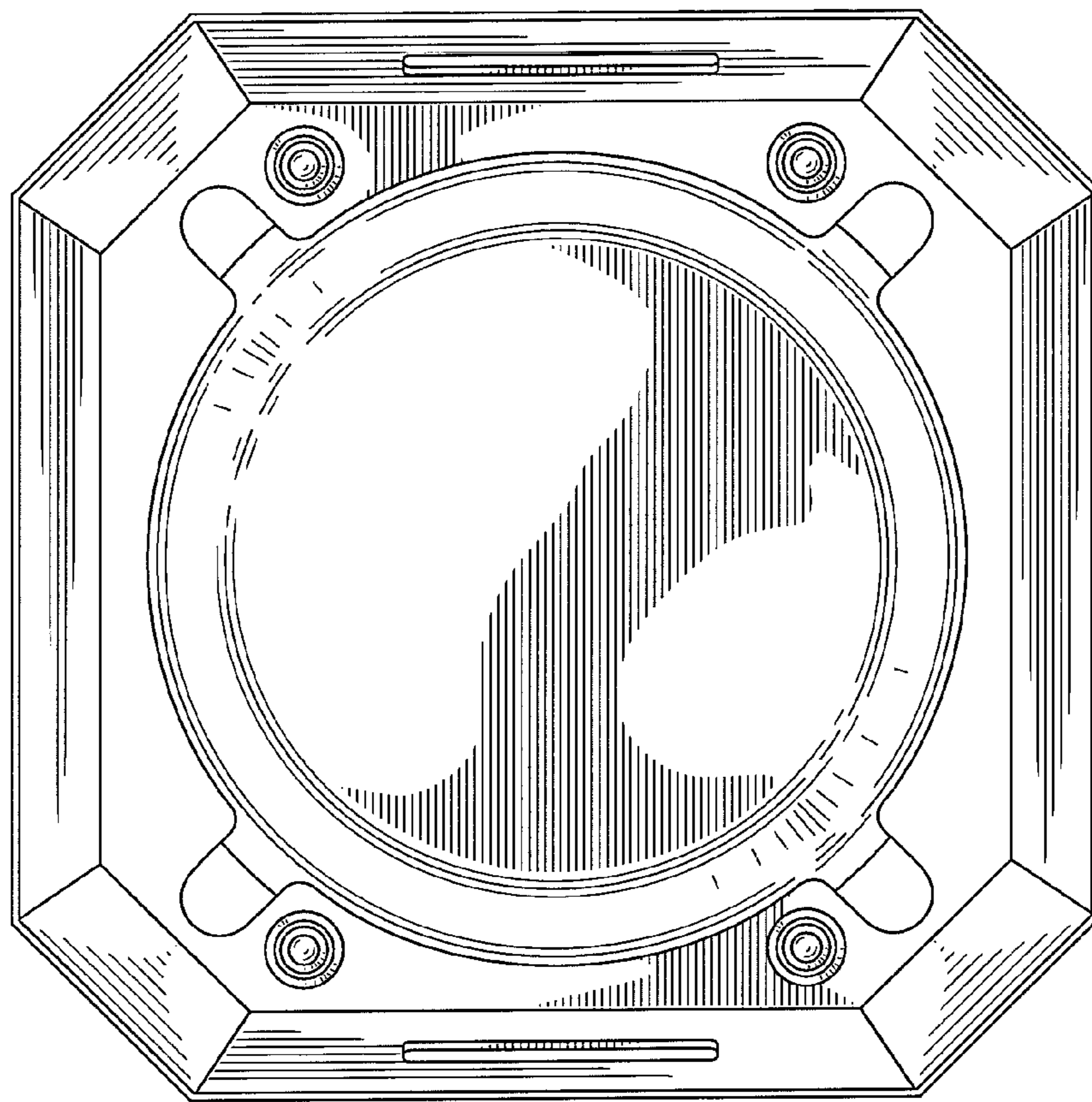


FIG. 5