



US00D701004S

(12) **United States Design Patent**  
**Maguire**

(10) **Patent No.:** **US D701,004 S**  
(45) **Date of Patent:** **\*\* Mar. 11, 2014**

- (54) **PORTION CONTROL DEVICE FOR PETS**
- (71) Applicant: **Aaron John Maguire**, Sioux Falls, SD (US)
- (72) Inventor: **Aaron John Maguire**, Sioux Falls, SD (US)
- (\*\*) Term: **14 Years**
- (21) Appl. No.: **29/467,206**
- (22) Filed: **Sep. 17, 2013**
- (51) **LOC (10) Cl.** ..... **30-03**
- (52) **U.S. Cl.**  
USPC ..... **D30/129**
- (58) **Field of Classification Search**  
USPC ..... D30/121, 122, 129-133; 119/61.5, 119/51.01, 61.56, 51.03, 59, 62, 63, 51.5, 119/57.8, 74, 61.54, 61.55, 61; 312/204; 248/151, 188; 108/156, 153.1-157; 220/23.87, 630, 737, 743, 9.4, 495.01, 220/574, 212, 255, 23.83, 575; 206/515; D7/586, 543, 550.1, 587, 505, 584, D7/545, 500, 553.1-553.8, 546, 555, 556, D7/504, 565, 562, 602, 507, 549, 558, D7/552.2, 560, 566, 548, 681, 689, 691; D9/429; 43/109; D22/122; 99/430, 99/DIG. 15

See application file for complete search history.

(56) **References Cited**

**U.S. PATENT DOCUMENTS**

- D67,712 S \* 6/1925 Melville ..... D2/967
- D207,442 S \* 4/1967 Facci ..... D2/616
- D244,948 S \* 7/1977 Foley et al. .... D30/130
- D256,311 S \* 8/1980 Daenen ..... D10/46.3
- D275,063 S \* 8/1984 Greene ..... D10/46.2
- D304,537 S \* 11/1989 McCarroll ..... D10/46.2
- D321,114 S \* 10/1991 Fredrickson et al. .... D7/681
- D333,596 S \* 3/1993 Husted ..... D7/691
- D336,446 S \* 6/1993 Browning ..... D11/126

- D339,722 S \* 9/1993 Ancona et al. .... D7/698
- D347,658 S \* 6/1994 Scapillato ..... D20/29
- D357,588 S \* 4/1995 Fachinger ..... D6/304
- D360,304 S \* 7/1995 Fachinger ..... D6/304
- D378,869 S \* 4/1997 Mikell ..... D2/615
- D387,957 S \* 12/1997 Keller et al. .... D7/691
- D391,363 S \* 2/1998 Rohrig ..... D24/194
- D394,229 S \* 5/1998 Curry ..... D11/126
- D397,740 S \* 9/1998 Georgevich ..... D21/400
- D404,263 S \* 1/1999 Allison ..... D7/689
- D405,565 S \* 2/1999 Price ..... D30/162
- D414,087 S \* 9/1999 Allison ..... D7/689
- D427,743 S \* 7/2000 Macias ..... D1/107
- D429,040 S \* 8/2000 Schmittgens et al. .... D30/162
- D435,160 S \* 12/2000 Macias ..... D1/107
- D440,736 S \* 4/2001 Stafford ..... D1/107
- D447,074 S \* 8/2001 Chan ..... D10/104.1
- D449,137 S \* 10/2001 Newman ..... D30/129
- 6,341,578 B1 \* 1/2002 Berube ..... 119/162
- D454,234 S \* 3/2002 Weterrings ..... D30/129
- D457,699 S \* 5/2002 Raimonde et al. .... D32/46
- D457,705 S \* 5/2002 Haslet et al. .... D32/40
- D457,989 S \* 5/2002 O'Rourke ..... D30/158
- 6,460,191 B1 \* 10/2002 Lorkovic ..... 2/161.8
- D466,662 S \* 12/2002 Lorkovic ..... D32/43

(Continued)

*Primary Examiner* — Susan Moon Lee

(74) *Attorney, Agent, or Firm* — John T. Goolkasian

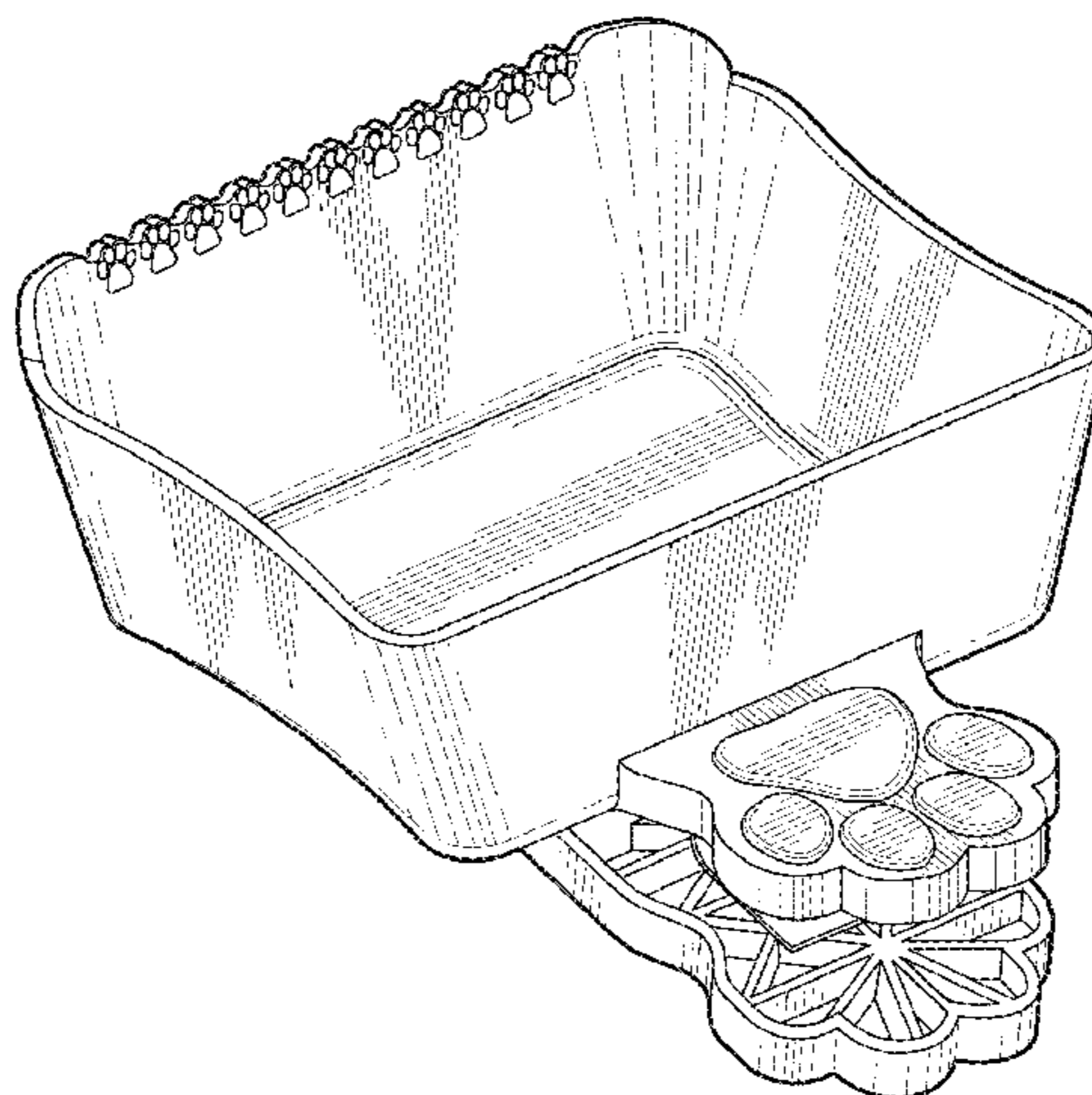
(57) **CLAIM**

The ornamental design for a portion control device for pets, as shown and described.

**DESCRIPTION**

FIG. 1 is a perspective view of a portion control device for pets showing my new design;  
 FIG. 2 is a top plan view thereof;  
 FIG. 3 is a bottom view thereof;  
 FIG. 4 is a front view thereof;  
 FIG. 5 is a rear view thereof;  
 FIG. 6 is a right side view thereof; and,  
 FIG. 7 is a left side view thereof.

**1 Claim, 4 Drawing Sheets**



(56)

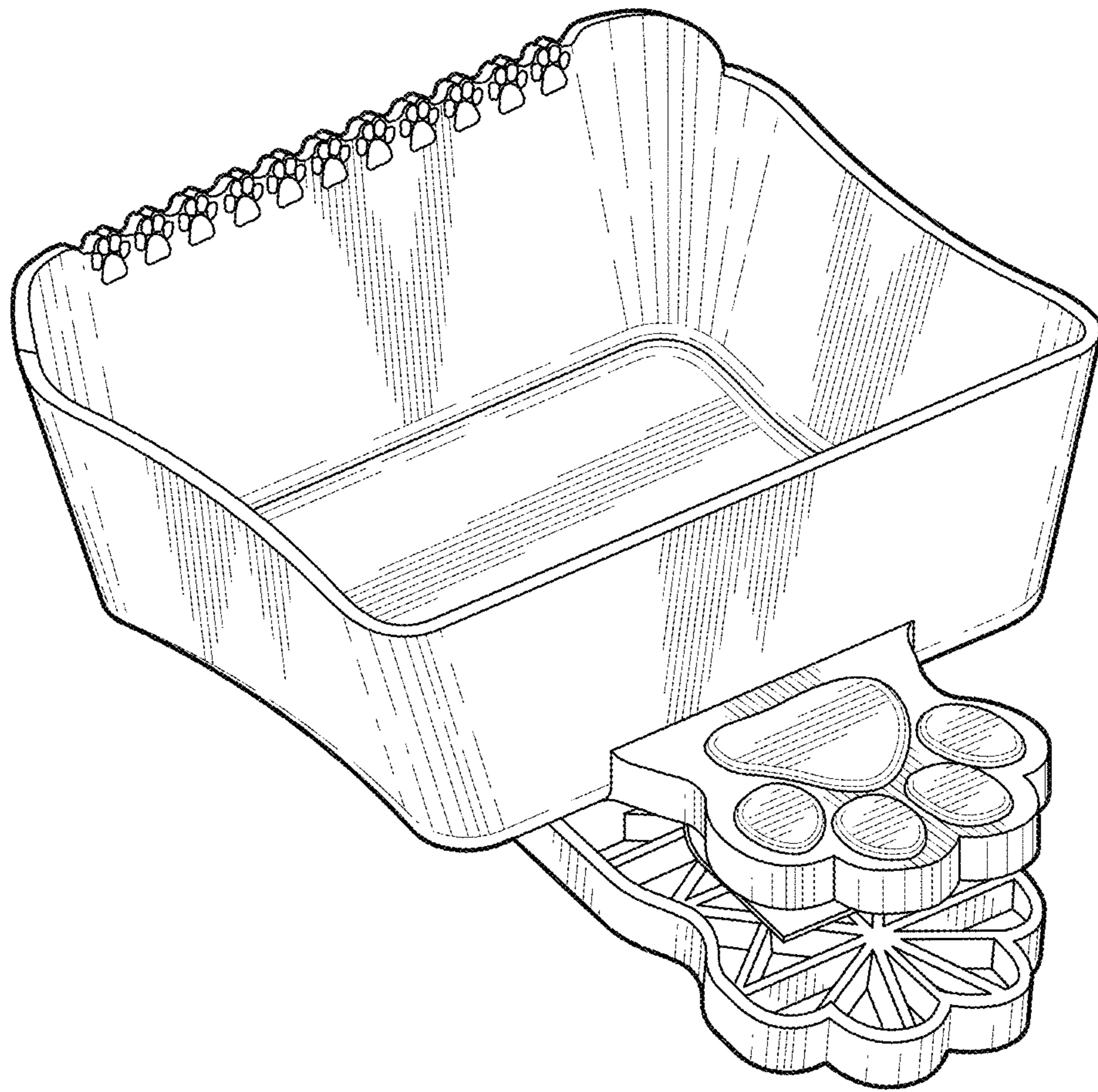
References Cited

U.S. PATENT DOCUMENTS

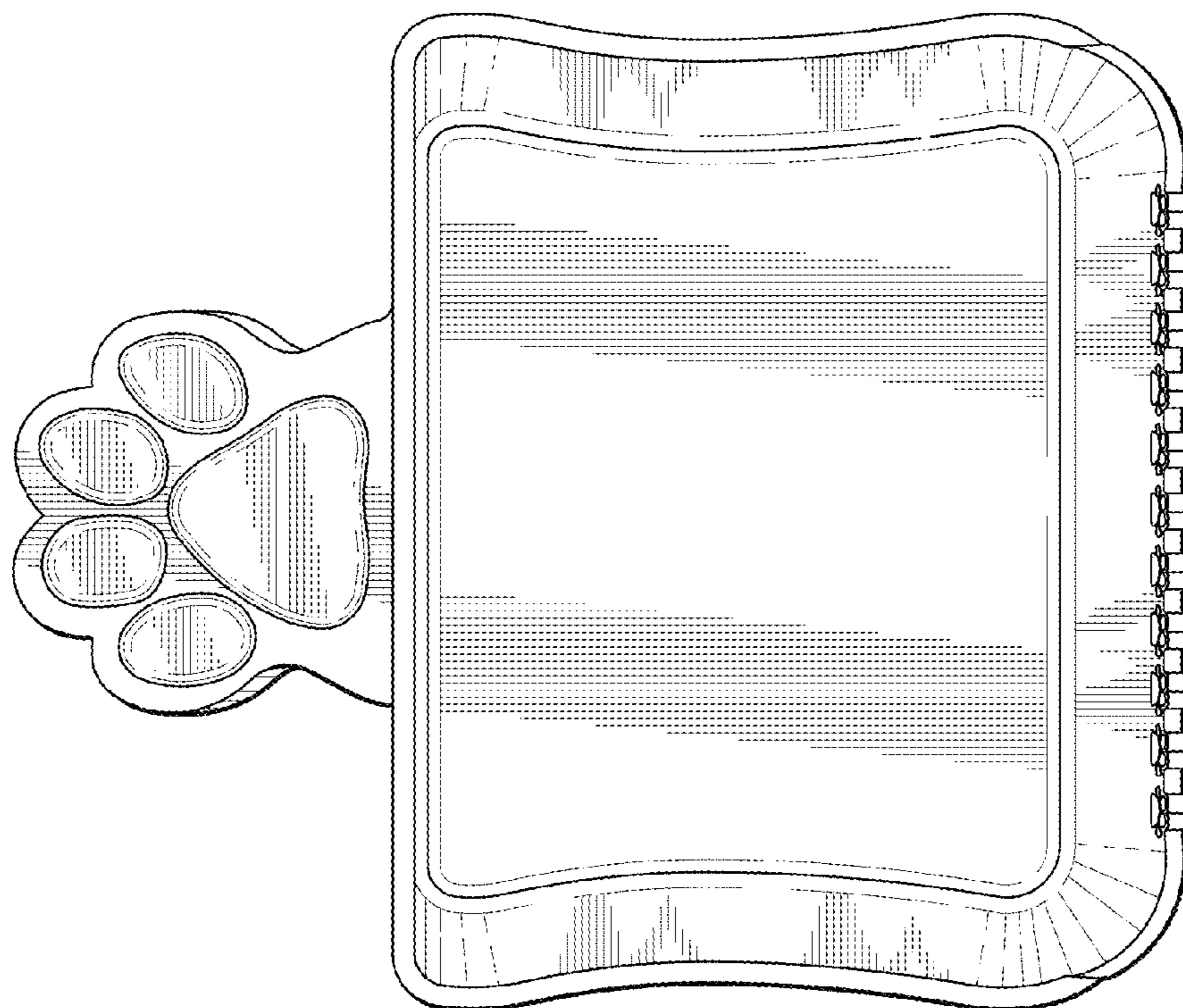
D467,393	S	*	12/2002	Warden	.....	D30/155
D473,769	S	*	4/2003	Kelleghan	.....	D8/38
D475,504	S	*	6/2003	Hodgdon	.....	D1/130
D476,767	S	*	7/2003	Warden	.....	D26/38
D484,425	S	*	12/2003	Settele	.....	D10/46.3
D497,691	S	*	10/2004	Hardt	.....	D30/161
D504,223	S	*	4/2005	Tamburri	.....	D3/211
D506,112	S	*	6/2005	Roberson et al.	.....	D8/13
D506,585	S	*	6/2005	Muller et al.	.....	D32/32
D507,119	S	*	7/2005	Reeves, Jr.	.....	D6/304
D520,677	S	*	5/2006	Xu	.....	D27/149
D531,364	S	*	10/2006	Crane	.....	D30/118
D531,918	S	*	11/2006	Heiligenstein et al.	.....	D10/46.2
D532,979	S	*	12/2006	Viola	.....	D4/129
D533,975	S	*	12/2006	Kelly et al.	.....	D30/162
D534,695	S	*	1/2007	Van Skiver	.....	D30/161
D540,007	S	*	4/2007	Edwards	.....	D1/107
D549,529	S	*	8/2007	Risch et al.	.....	D7/685
D550,407	S	*	9/2007	Spiwak	.....	D30/129
D550,551	S	*	9/2007	Howard	.....	D8/395
D553,305	S	*	10/2007	Willinger et al.	.....	D30/133
D558,933	S	*	1/2008	Hood et al.	.....	D30/158
D560,862	S	*	1/2008	Knuth et al.	.....	D30/155
D561,411	S	*	2/2008	Pipenur	.....	D30/155
D571,929	S	*	6/2008	Palmer, III	.....	D25/2
D572,141	S	*	7/2008	Slabaugh	.....	D9/601
D581,830	S	*	12/2008	Slabaugh	.....	D11/127
D582,798	S	*	12/2008	Mantilla et al.	.....	D10/46.3
D585,727	S	*	2/2009	Kelleghan	.....	D8/356
D589,660	S	*	3/2009	Tolentino-Swem	.....	D30/199
D591,162	S	*	4/2009	Slabaugh	.....	D9/607
D591,478	S	*	5/2009	Slusarczyk et al.	.....	D1/107
D591,914	S	*	5/2009	Witham	.....	D30/199
D602,656	S	*	10/2009	Fuhrer	.....	D30/162
D603,112	S	*	10/2009	Pergolski	.....	D30/161
D606,710	S	*	12/2009	Spater	.....	D30/129
D613,465	S	*	4/2010	Chapman	.....	D30/161
D613,914	S	*	4/2010	Askinasi	.....	D30/161
D614,074	S	*	4/2010	Castaline et al.	.....	D11/79
D614,818	S	*	4/2010	Moore et al.	.....	D30/158
D617,060	S	*	6/2010	Akrey	.....	D30/154
D622,028	S	*	8/2010	Kerr et al.	.....	D1/107
D625,885	S	*	10/2010	Bianchi	.....	D30/129
D631,757	S	*	2/2011	Kerr et al.	.....	D9/732
D632,455	S	*	2/2011	School	.....	D99/5
D636,134	S	*	4/2011	Spurgeon	.....	D30/161
D636,545	S	*	4/2011	Lawson et al.	.....	D30/161
D636,950	S	*	4/2011	Lawson et al.	.....	D30/161
D640,564	S	*	6/2011	Kerr et al.	.....	D9/607
D641,248	S	*	7/2011	Steger et al.	.....	D9/607
D642,336	S	*	7/2011	Desrosiers	.....	D30/129
D650,147	S	*	12/2011	Kerr et al.	.....	D1/106
D651,095	S	*	12/2011	Kerr et al.	.....	D9/607
D654,245	S	*	2/2012	School	.....	D99/5
D656,280	S	*	3/2012	St. Clair	.....	D30/129
D661,456	S	*	6/2012	Couttenye et al.	.....	D1/107
D663,081	S	*	7/2012	Chance et al.	.....	D30/161
D665,000	S	*	8/2012	Morelli et al.	.....	D15/90
D665,133	S	*	8/2012	Haverstock	.....	D30/129
D665,264	S	*	8/2012	Kerr et al.	.....	D9/607
D666,835	S	*	9/2012	Grainger	.....	D4/120
D667,034	S	*	9/2012	Wirth et al.	.....	D15/140
8,336,868	B2	*	12/2012	Wirth et al.	.....	269/289 R
D676,202	S	*	2/2013	Hansen	.....	D30/199
D676,619	S	*	2/2013	Hansen	.....	D30/199
D678,632	S	*	3/2013	Chance et al.	.....	D30/161
D682,442	S	*	5/2013	Nguyen	.....	D24/224
D684,336	S	*	6/2013	Couttenye et al.	.....	D1/107
D684,733	S	*	6/2013	Altoon	.....	D30/161
D685,565	S	*	7/2013	Bhandula	.....	D99/1
D686,783	S	*	7/2013	Pluss	.....	D30/132
D687,616	S	*	8/2013	Smith et al.	.....	D1/107
D688,424	S	*	8/2013	Stanley et al.	.....	D30/153
D689,328	S	*	9/2013	Hollinger	.....	D7/357
D693,862	S	*	11/2013	Wirth et al.	.....	D15/140
2005/0066464	A1	*	3/2005	McKay	.....	15/169
2006/0010913	A1	*	1/2006	Torres et al.	.....	63/23
2007/0034166	A1	*	2/2007	Brooks	.....	119/867
2008/0216753	A1	*	9/2008	Wang	.....	119/61.1
2011/0169183	A1	*	7/2011	Axelrod et al.	.....	264/46.4
2012/0068396	A1	*	3/2012	Wirth et al.	.....	269/289 R

\* cited by examiner

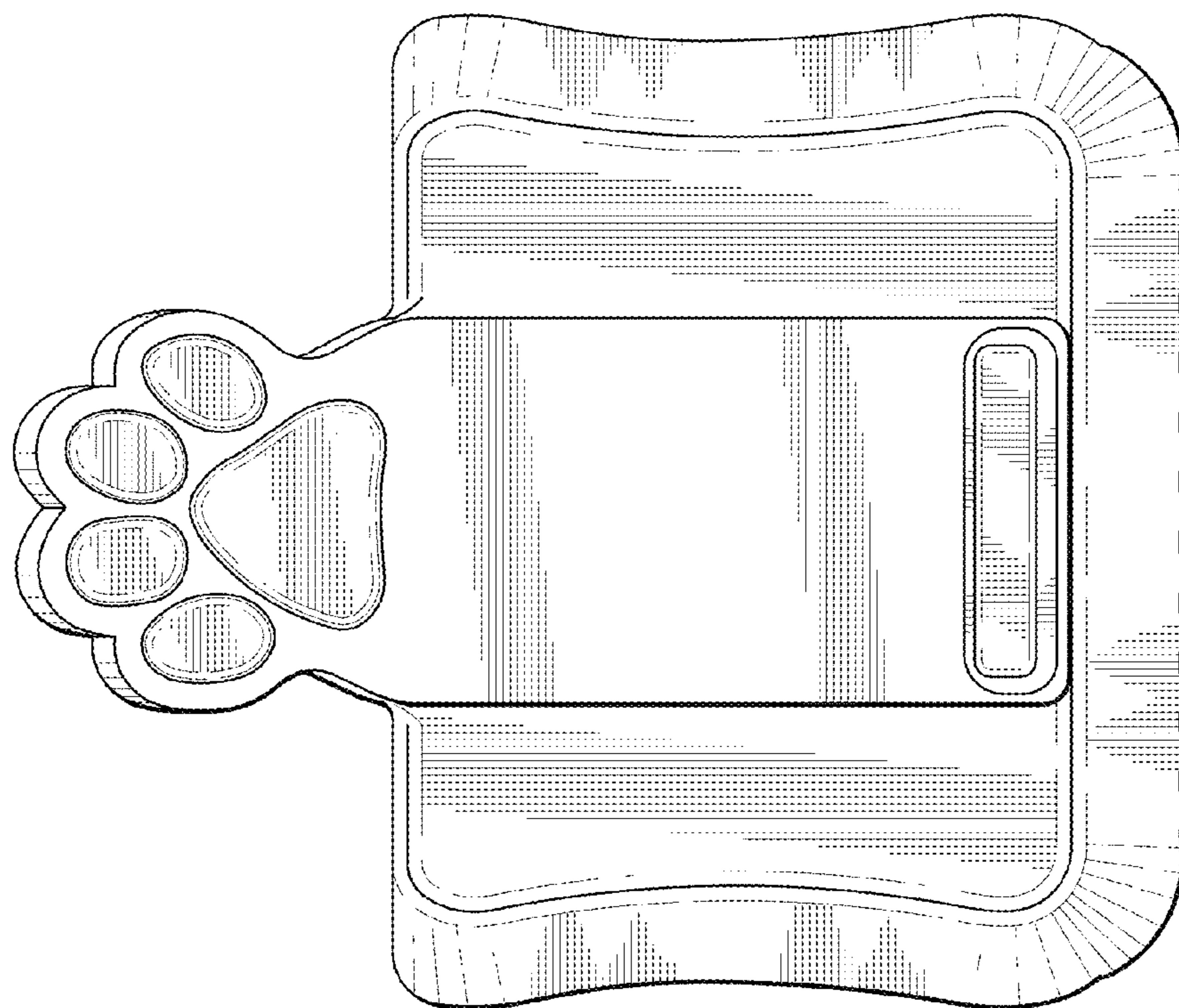




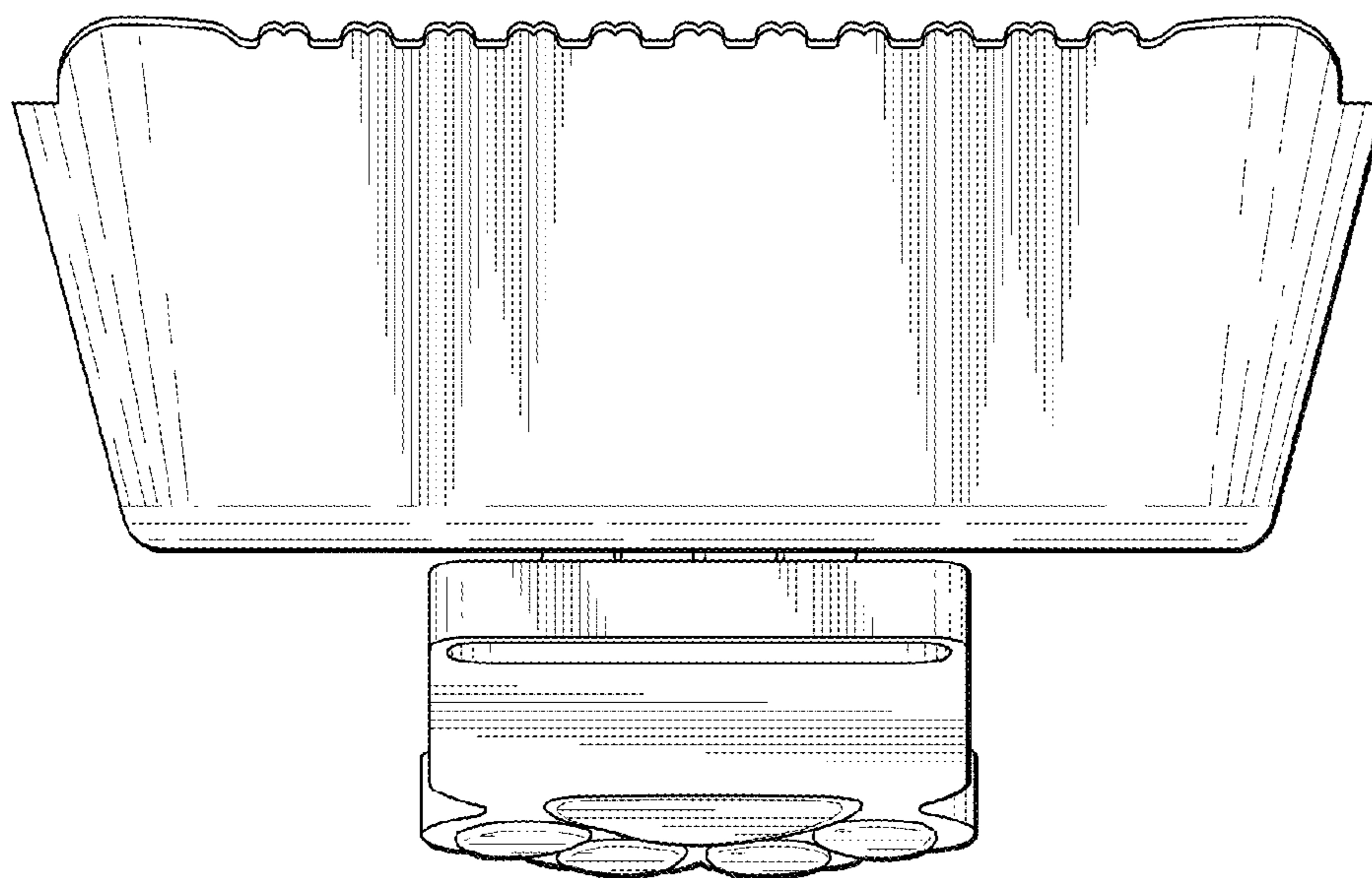
*Fig. 1*



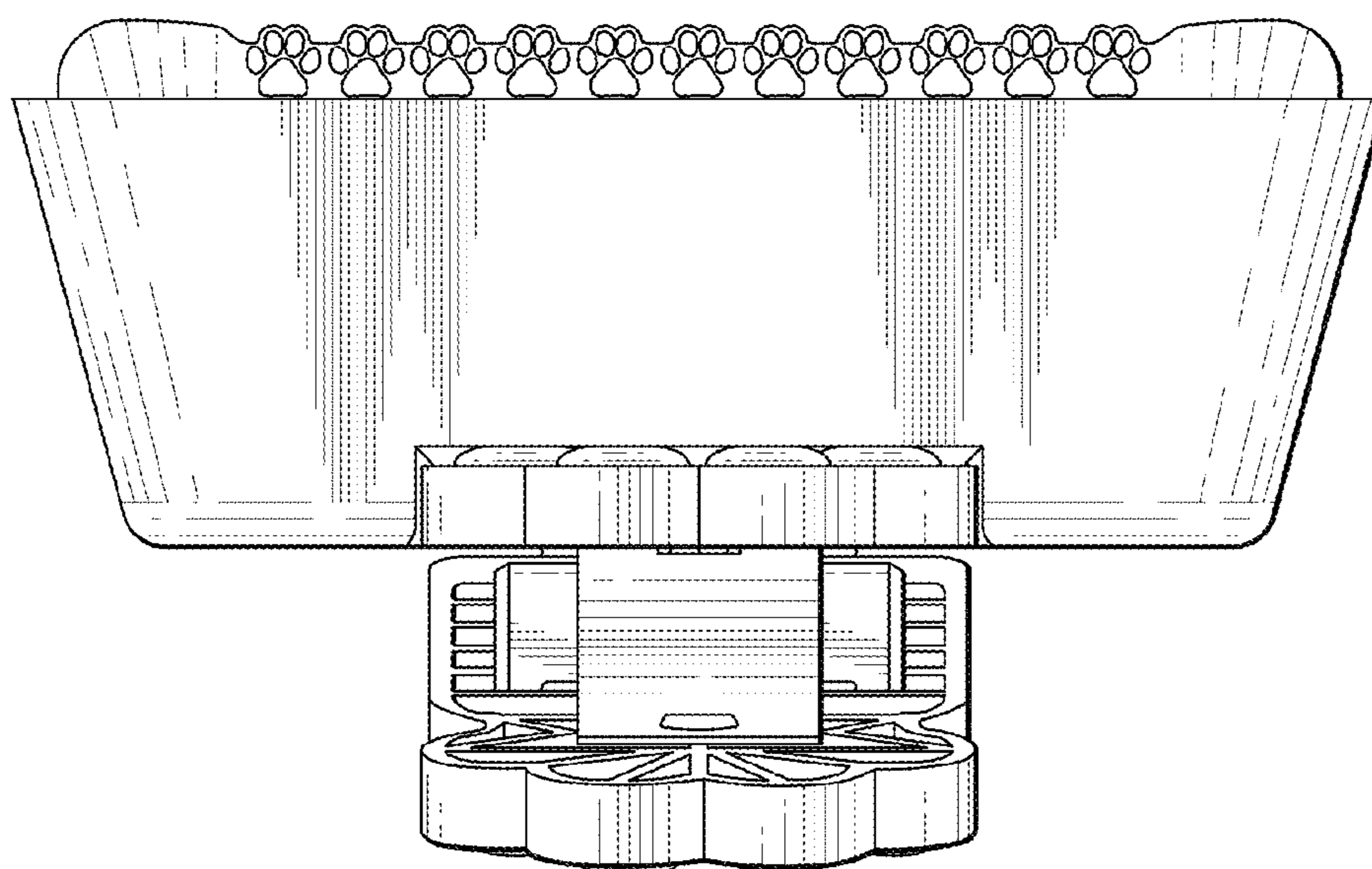
**Fig. 2**



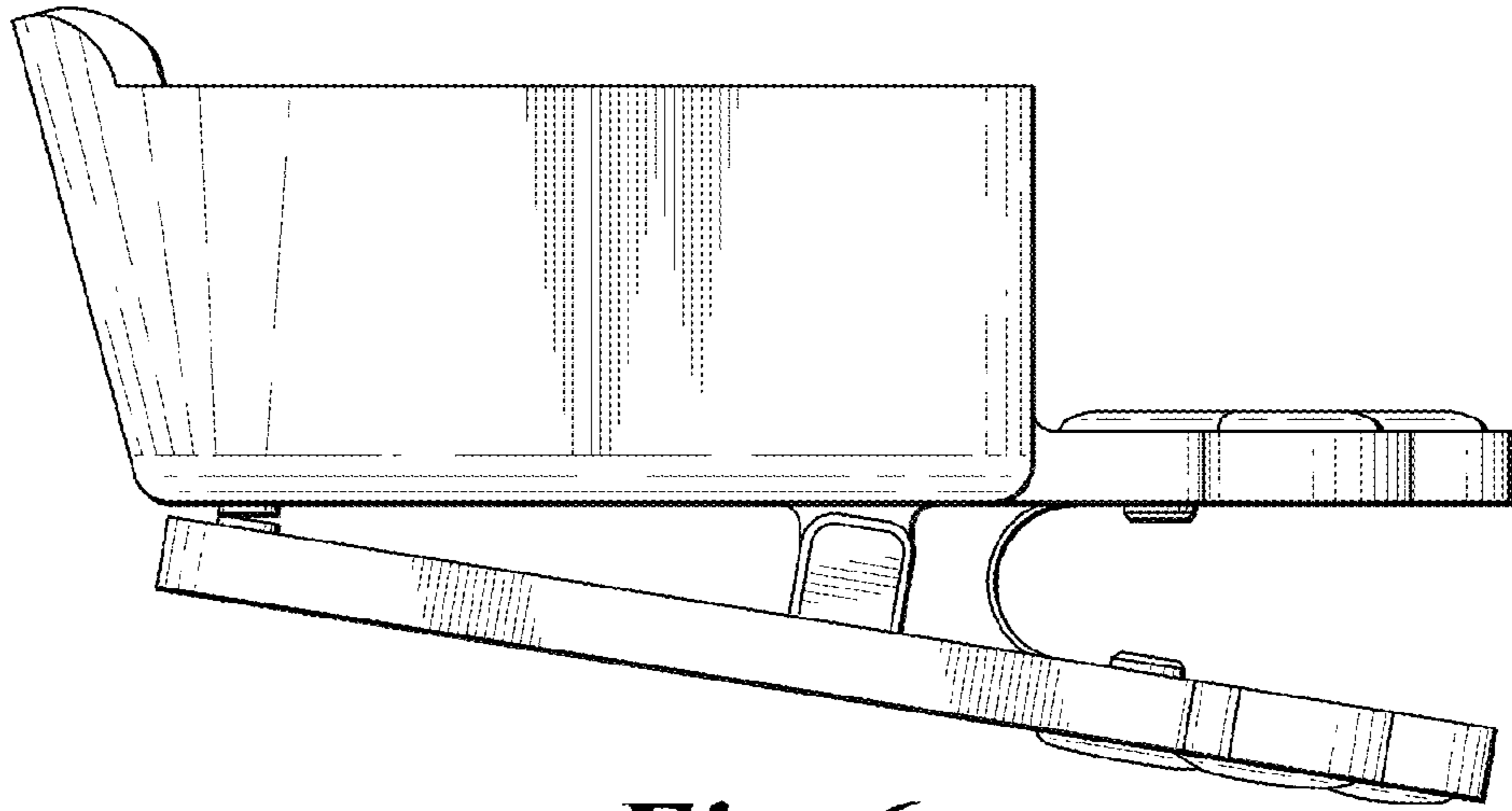
**Fig. 3**



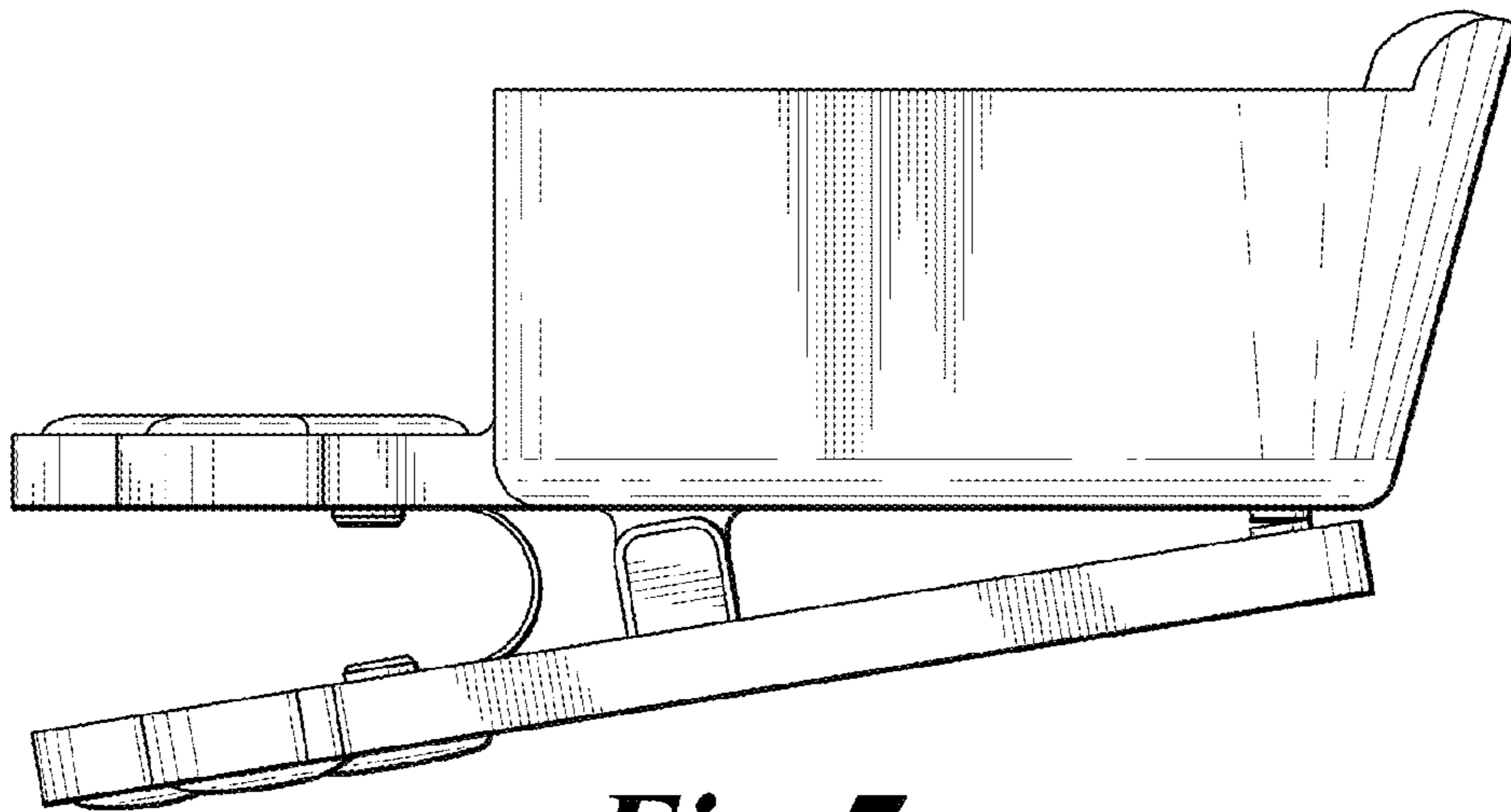
*Fig. 4*



*Fig. 5*



*Fig. 6*



*Fig. 7*