



US00D701003S

(12) **United States Design Patent**
Xu

(10) **Patent No.:** **US D701,003 S**
(45) **Date of Patent:** **** Mar. 11, 2014**

(54) **BULLNOSE TANK**
(75) Inventor: **Huazhao Xu**, Baolong (CN)
(73) Assignee: **Shenzhen Xingrisheng Industrial Co., Ltd.**, Shenzhen (CN)

D361,165 S * 8/1995 Ichikawa D30/101
D361,170 S * 8/1995 Hashimoto D30/101
D361,412 S * 8/1995 Ichikawa D30/101
D366,350 S * 1/1996 Ichikawa D30/101
D366,735 S * 1/1996 Ichikawa D30/101
D397,520 S * 8/1998 Ichikawa D30/101
D596,808 S * 7/2009 Belter D30/101

(**) Term: **14 Years**

* cited by examiner

(21) Appl. No.: **29/424,991**

Primary Examiner — Wan Laymon

(22) Filed: **Jun. 19, 2012**

(57) **CLAIM**

The ornamental design for a bullnose tank, as shown and described.

(30) **Foreign Application Priority Data**

Dec. 22, 2011 (CN) 2011 3 0494368

(51) **LOC (10) CL.** **30-02**

(52) **U.S. Cl.**
USPC **D30/101**

(58) **Field of Classification Search**
USPC D30/101-107; D11/145; 119/245-248,
119/265-267, 269

See application file for complete search history.

DESCRIPTION

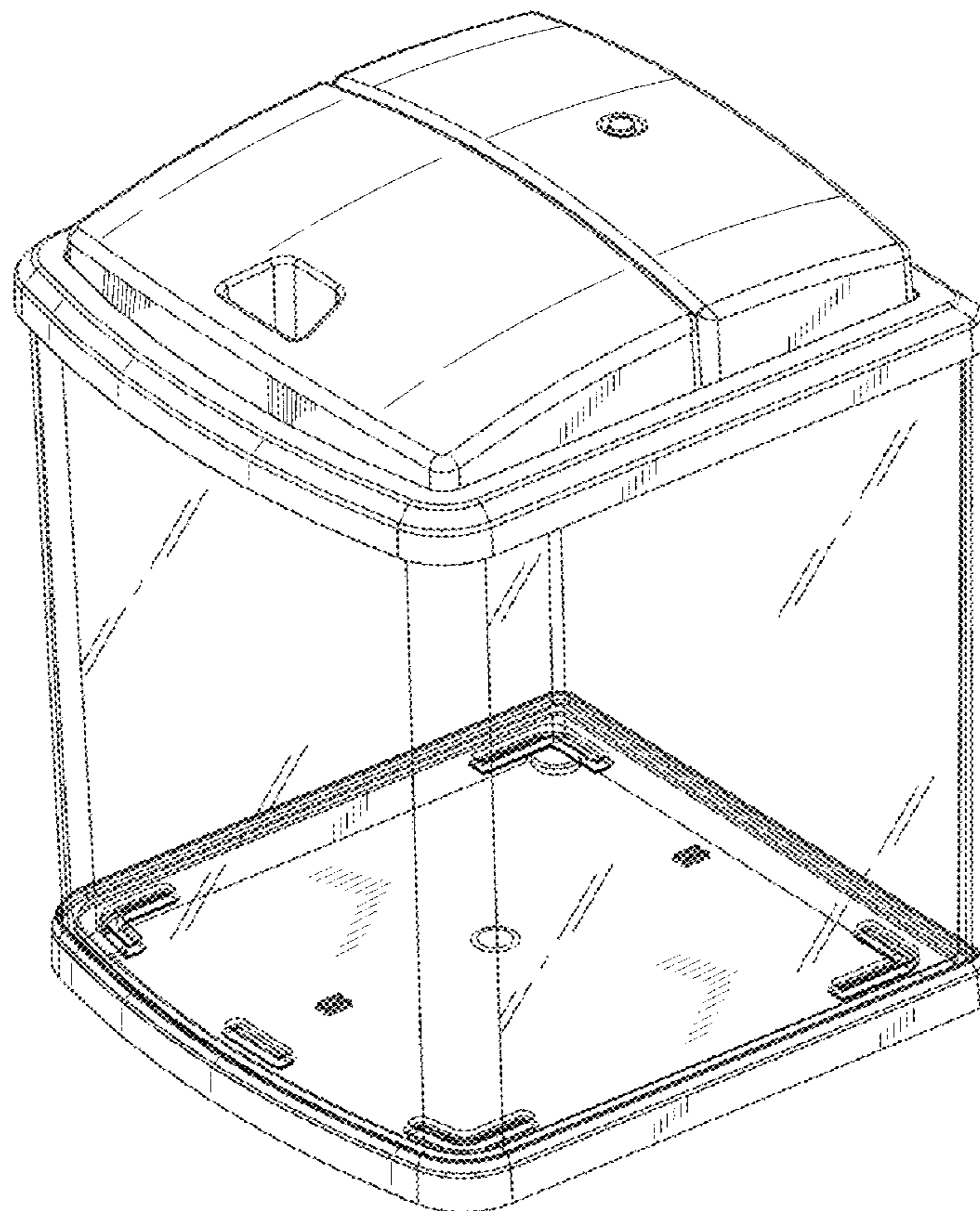
FIG. 1 is a perspective view of a bullnose tank showing my new design;
FIG. 2 is a front plan view thereof;
FIG. 3 is a back plan view thereof.
FIG. 4 is a left plan view thereof;
FIG. 5 is a right plan view thereof; and,
FIG. 6 is a downward plan view thereof.
The broken lines shown in FIGS. 3, 4, 5 and 6 represent portions of the bullnose tank that form no part of the claimed design.

(56) **References Cited**

U.S. PATENT DOCUMENTS

D357,556 S * 4/1995 Hashimoto D30/101
5,408,955 A * 4/1995 Tsuchiya 119/266

1 Claim, 6 Drawing Sheets



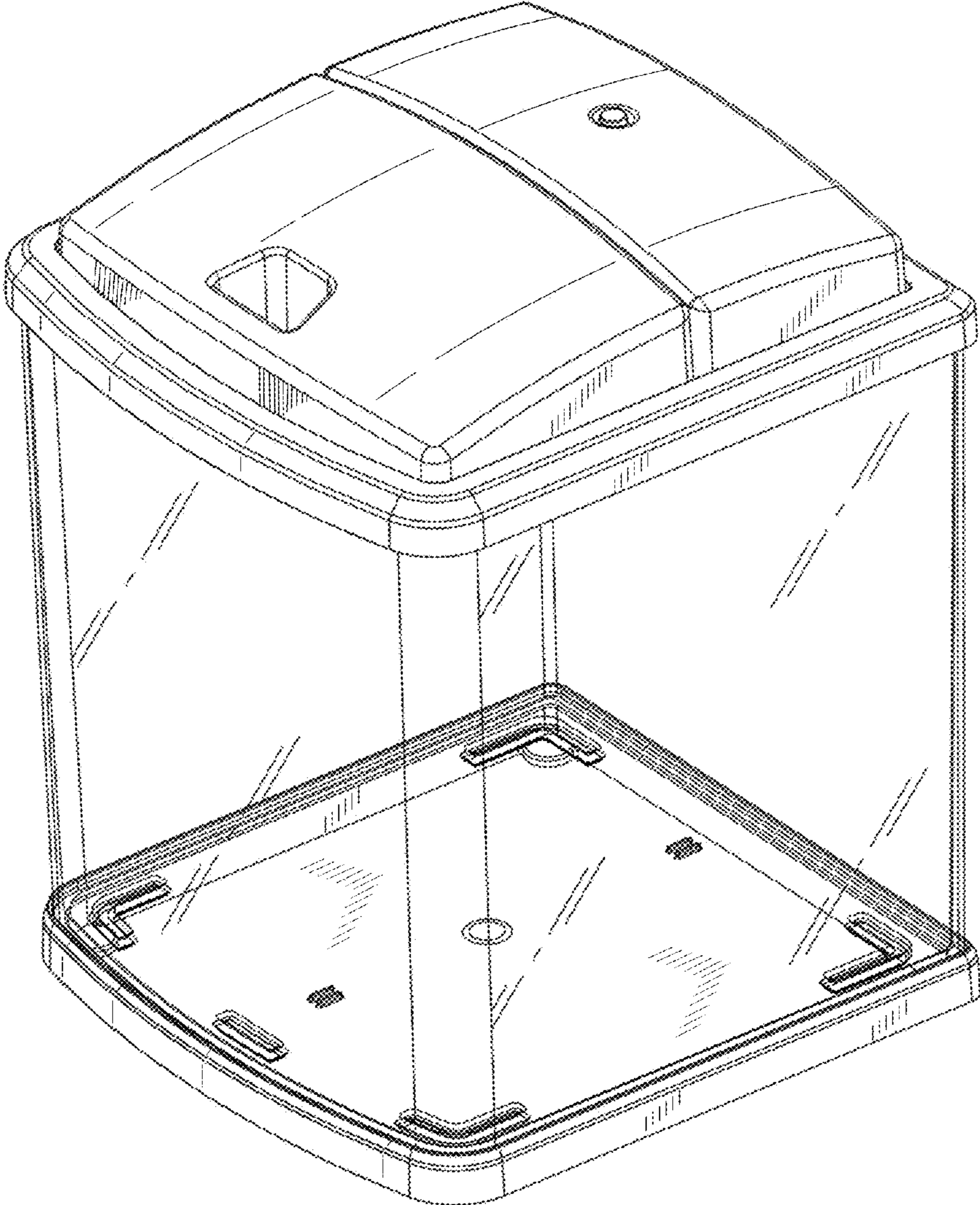


FIG. 1

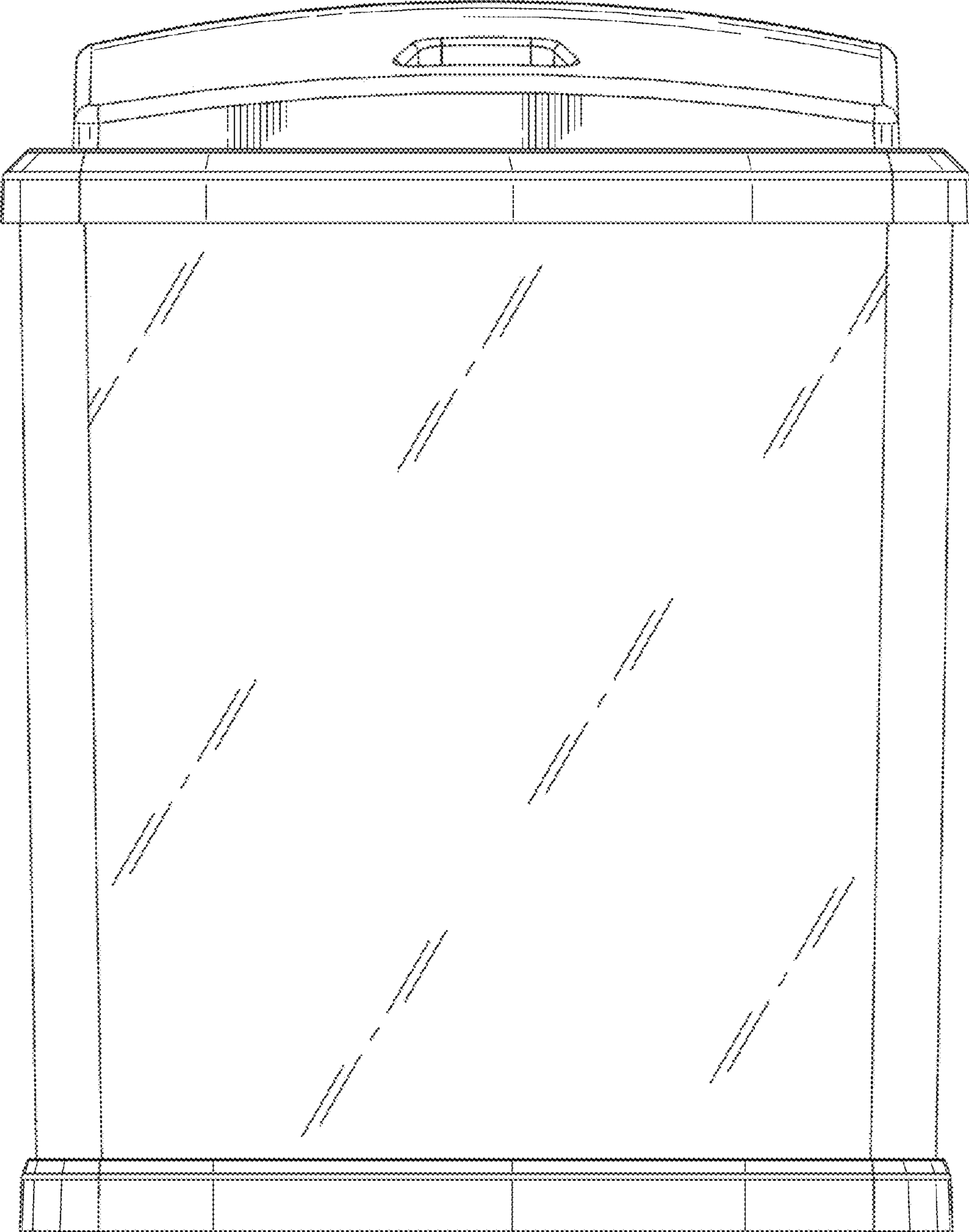


FIG. 2

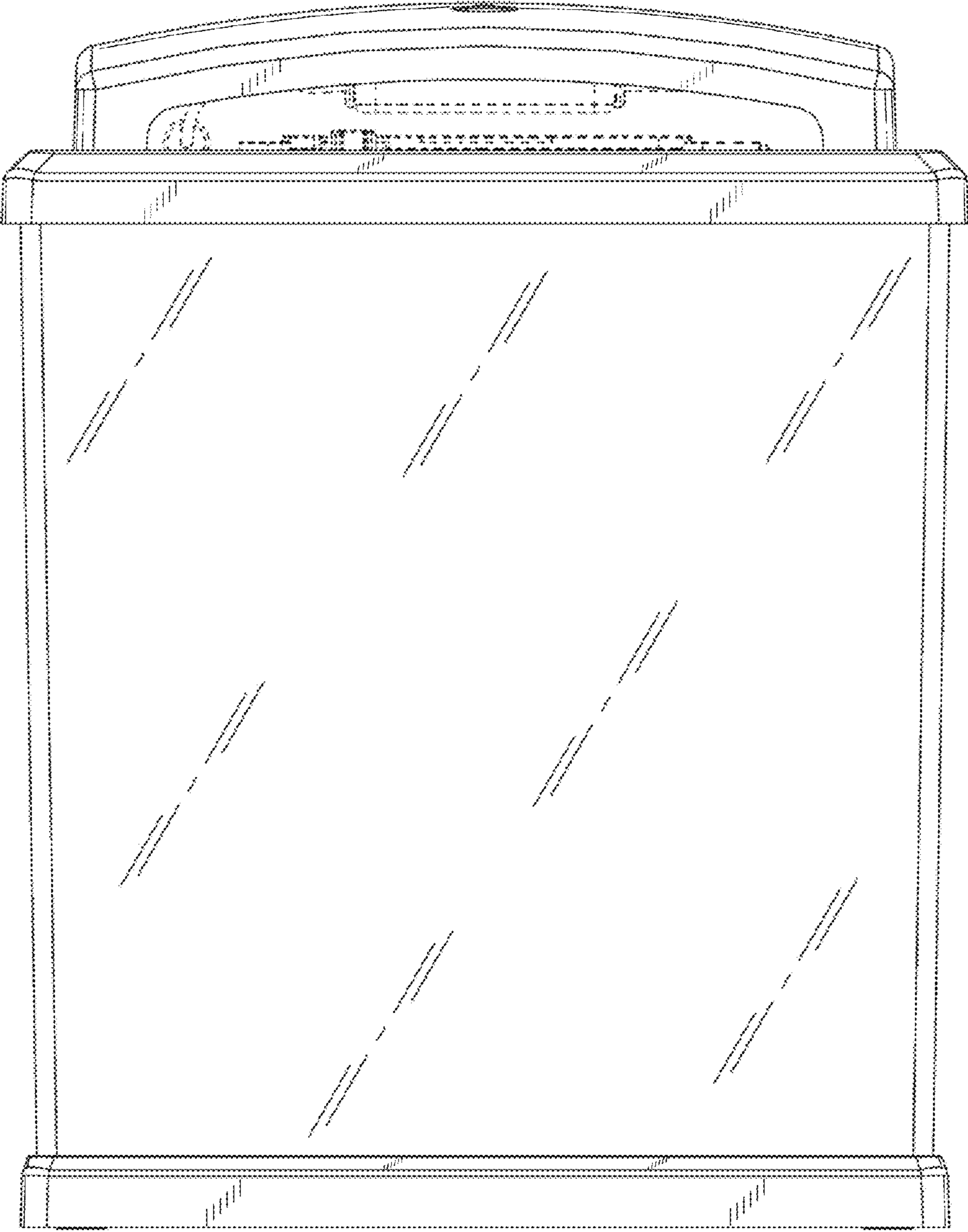


FIG. 3

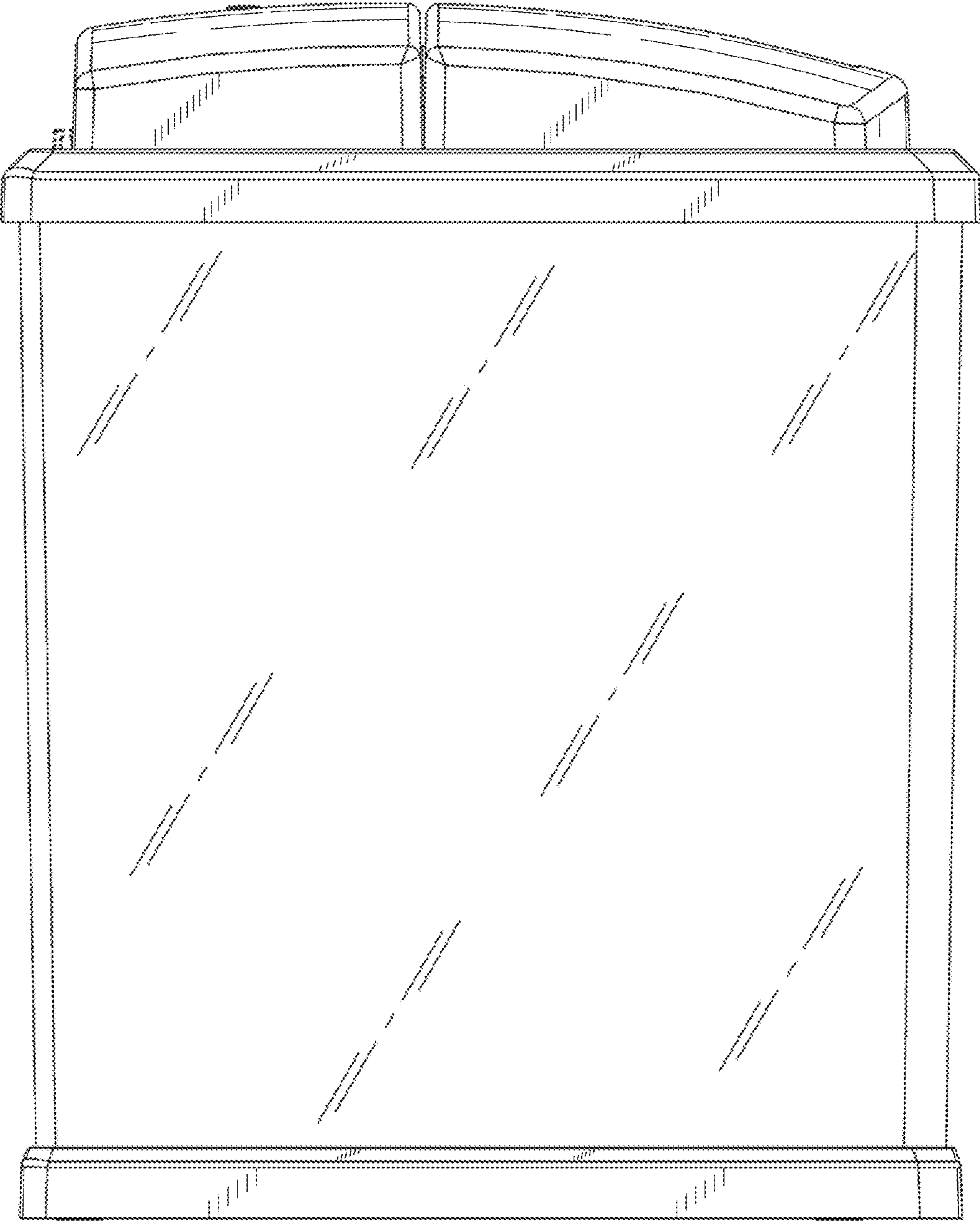


FIG. 4

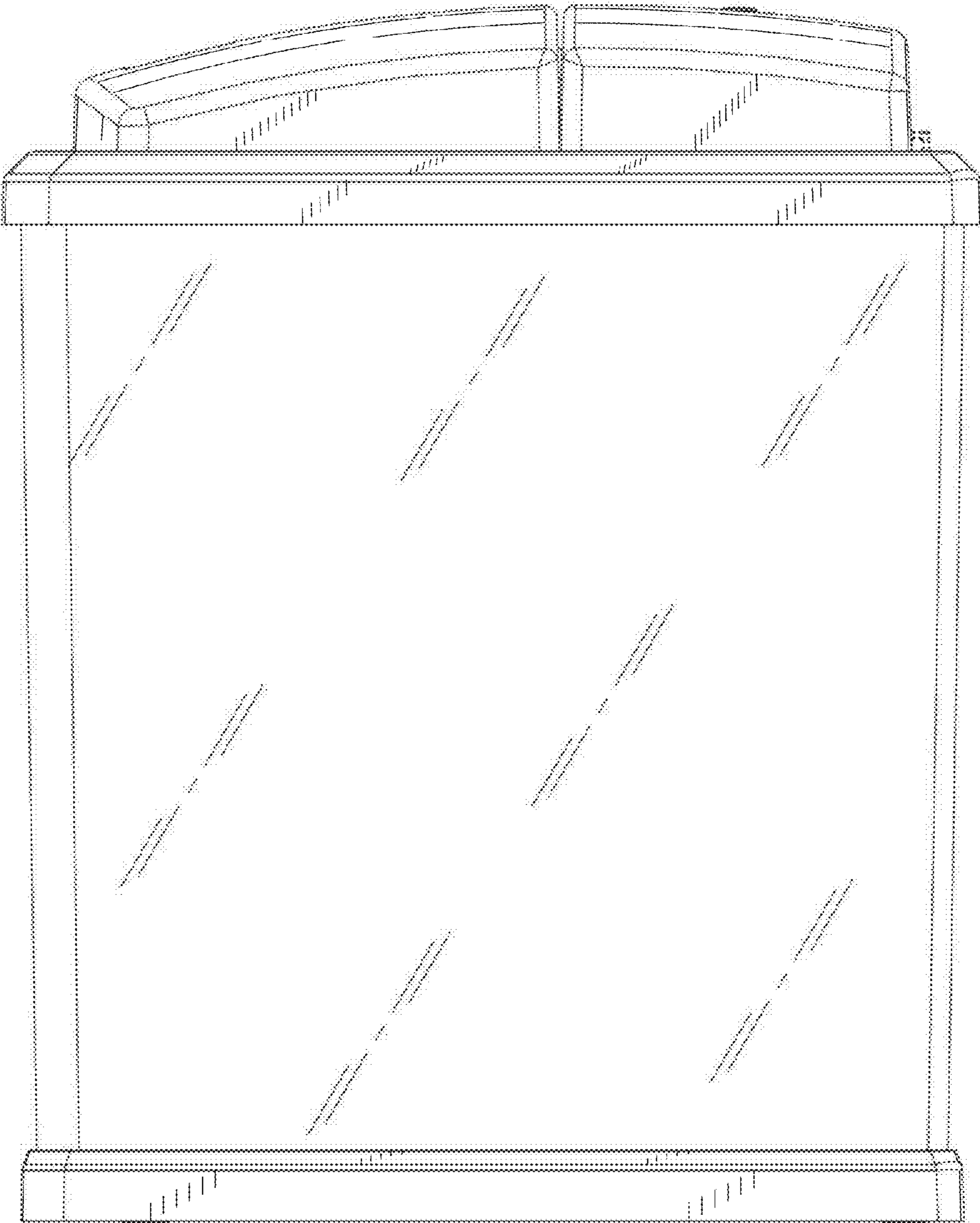


FIG. 5

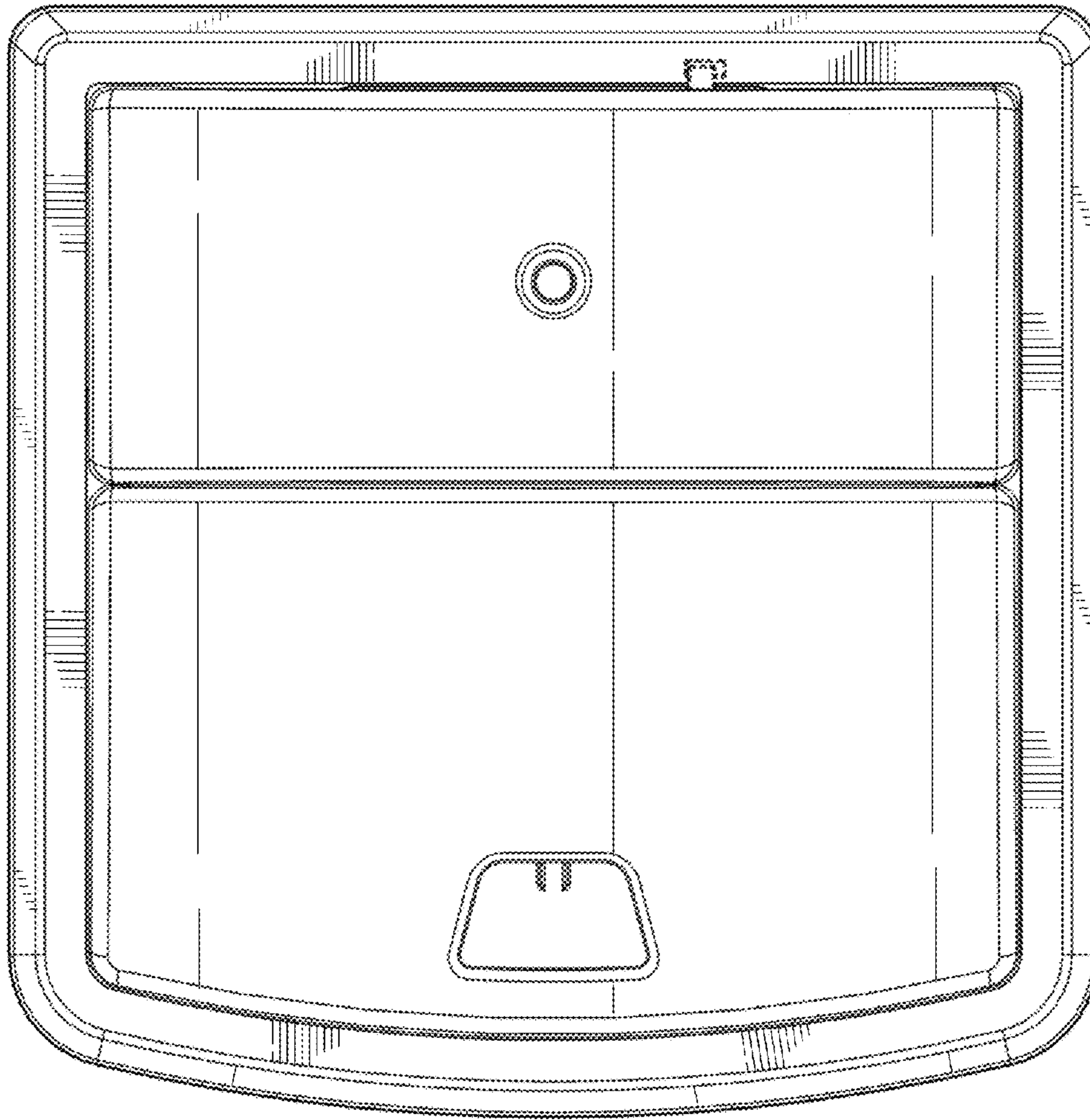


FIG. 6