



US00D701002S

(12) **United States Design Patent**
Lebel et al.

(10) **Patent No.:** **US D701,002 S**
(45) **Date of Patent:** **** Mar. 11, 2014**

(54) **HELMET MANDIBLE**

(75) Inventors: **Stéphane Lebel**, Saint-Rédempteur (CA); **Marie-Pierre Gendron**, Châteauguay (CA); **Martin Bélanger**, Québec City (CA); **Richard Coomber**, Montréal (CA); **Stéphan Morency**, Montréal (CA)

(73) Assignee: **Revision Military Inc.**, Montreal (CA)

(**) Term: **14 Years**

(21) Appl. No.: **29/356,229**

(22) Filed: **Feb. 22, 2010**

(51) **LOC (10) Cl.** **29-02**

(52) **U.S. Cl.**
USPC **D29/122**

(58) **Field of Classification Search**
USPC D29/100, 102, 105, 106, 108, 122;
D2/865, 881; D24/110.1; 2/455, 456,
2/410, 422, 424, 425, 15, 426, 427, 9,
2/468, 411-414, 206; 128/857, 858,
128/201.23, 206.19; 267/142, 143, 144,
267/145, 146

See application file for complete search history.

(56) **References Cited**

U.S. PATENT DOCUMENTS

1,297,842	A	3/1919	Harlee	
1,715,740	A	6/1929	Cervelli	
D132,184	S *	4/1942	Lyon	D29/108
2,867,811	A	1/1959	Jones	
3,118,443	A *	1/1964	Dykinga	602/17
3,216,023	A	11/1965	Morgan	
D207,900	S	6/1967	Feldman	
3,572,329	A *	3/1971	Woskin	606/204.15
3,619,813	A *	11/1971	Marchello	2/421
D229,127	S *	11/1973	Franklin	D29/108

D243,128	S *	1/1977	Morgan	D29/108
D246,012	S *	10/1977	Minette	D29/108
D267,128	S	12/1982	Pearce	
D268,220	S	3/1983	Gooding	
D283,940	S	5/1986	Bally	
D284,327	S	6/1986	Gregory et al.	
4,651,356	A *	3/1987	Zide	2/421
5,717,993	A *	2/1998	Roberts	2/9
5,794,274	A *	8/1998	Kraemer	2/421
6,289,521	B1 *	9/2001	Ikeda	2/421
6,298,483	B1 *	10/2001	Schiebl et al.	2/9
6,363,528	B1	4/2002	Cyr	

(Continued)

FOREIGN PATENT DOCUMENTS

WO WO 2011/028966 A2 3/2011

Primary Examiner — Elizabeth J Oswecki

(74) *Attorney, Agent, or Firm* — Wolf, Greenfield & Sacks, P.C.

(57) **CLAIM**

The ornamental design for a helmet mandible, as shown and described.

DESCRIPTION

FIG. 1 is a perspective view of a helmet mandible showing our new design;

FIG. 2 is a left side view thereof;

FIG. 3 is a right side view thereof;

FIG. 4 is a rear view thereof;

FIG. 5 is a front view thereof;

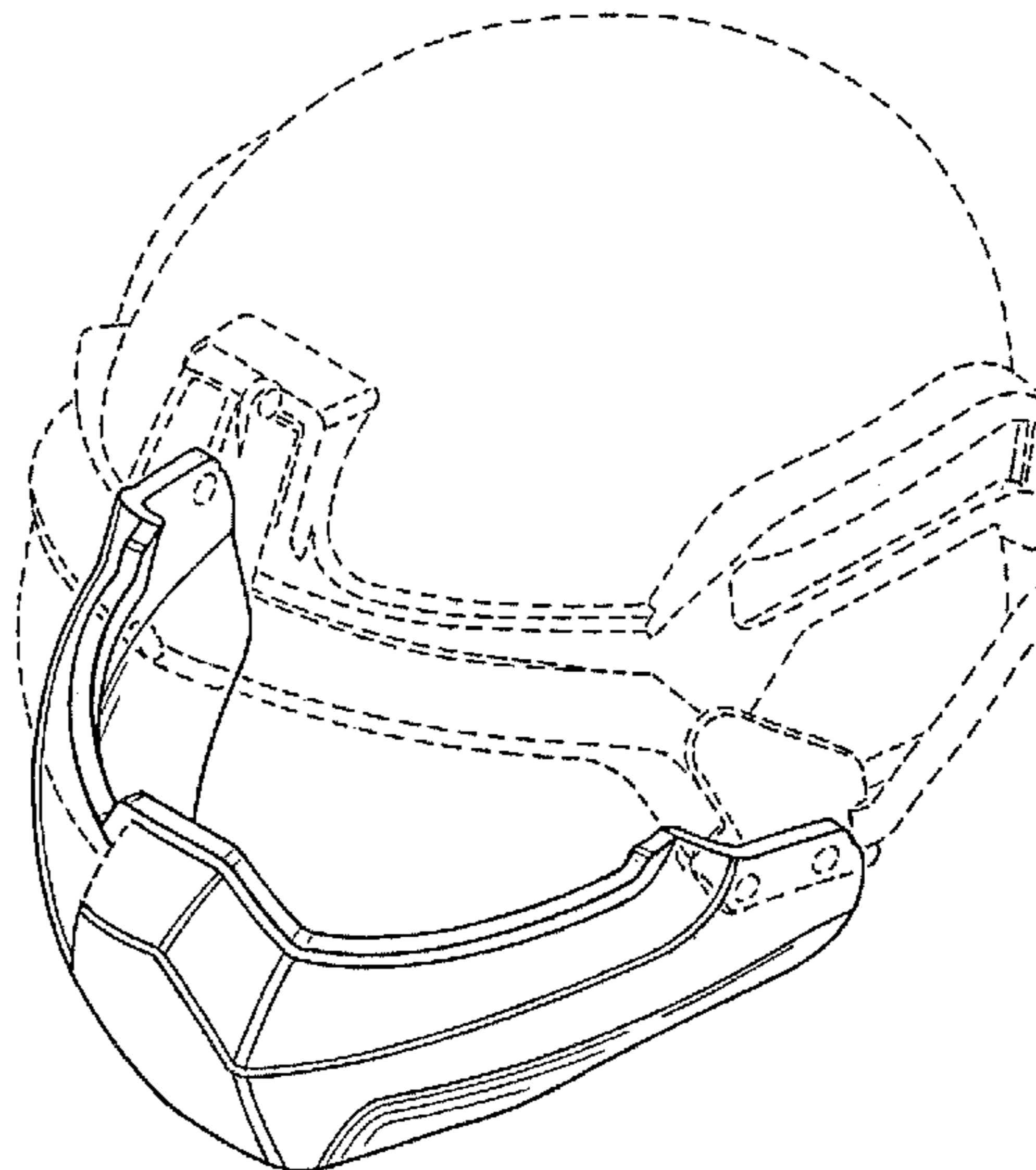
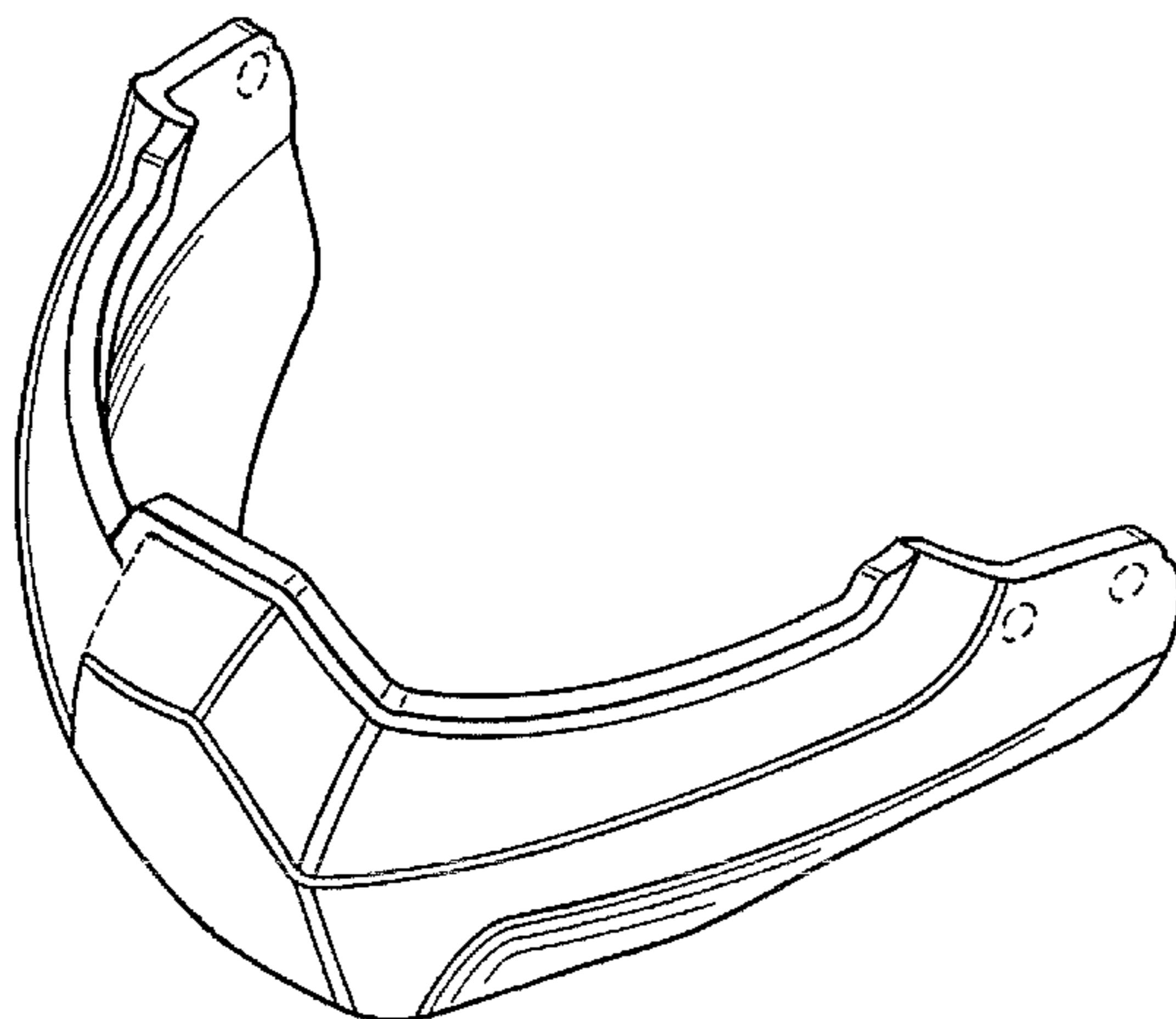
FIG. 6 is a top view thereof;

FIG. 7 is a bottom view thereof; and,

FIG. 8 is a perspective view thereof, attached to a helmet assembly shown in broken lines.

The broken lines shown in the drawings represent portions of the helmet mandible that form no part of the claimed design.

1 Claim, 4 Drawing Sheets



(56)

References Cited

U.S. PATENT DOCUMENTS

6,381,749 B1	5/2002	Cyr	
6,381,757 B2 *	5/2002	Rush, III	2/421
D471,675 S	3/2003	Ikeda	
D485,648 S	1/2004	Masterson	
D488,264 S	4/2004	Masterson	
D510,644 S	10/2005	Batstone	
7,024,704 B2	4/2006	Gafforio	
D521,688 S	5/2006	Markris	
D526,449 S	8/2006	Dawson et al.	
D526,746 S *	8/2006	Wong	D29/122
D527,847 S	9/2006	Broersma	
D535,061 S	1/2007	Evans et al.	
D536,833 S	2/2007	Broersma	
D548,893 S *	8/2007	Hedge et al.	D29/122
D556,384 S	11/2007	Dupuis	
D556,386 S	11/2007	Lee	
D560,315 S *	1/2008	Wong	D29/122
7,555,788 B2	7/2009	Schimpf	
D601,308 S	9/2009	Briersma	
D606,707 S *	12/2009	Schiebl	D29/122
D620,205 S *	7/2010	Schiebl	D29/122
D632,439 S	2/2011	Lebel	
D632,440 S	2/2011	Lebel et al.	
7,886,370 B2 *	2/2011	Winningham	2/421
D638,168 S	5/2011	Lebel et al.	
D638,172 S	5/2011	Lebel et al.	
D657,497 S	4/2012	Schiebl	
2002/0148033 A1	10/2002	Dufresne	
2004/0003452 A1	1/2004	Schiebl	
2007/0083967 A1	4/2007	Crossman et al.	
2007/0124842 A1	6/2007	Nascimento et al.	
2007/0250993 A1	11/2007	Schimpf	
2008/0086795 A1	4/2008	Cyr et al.	
2009/0107514 A1	4/2009	Winningham	
2009/0144872 A1	6/2009	Lebel	
2009/0229043 A1	9/2009	Cry	
2010/0064405 A1	3/2010	McGovern	
2012/0204331 A1	8/2012	Lebel et al.	

* cited by examiner

FIG. 1

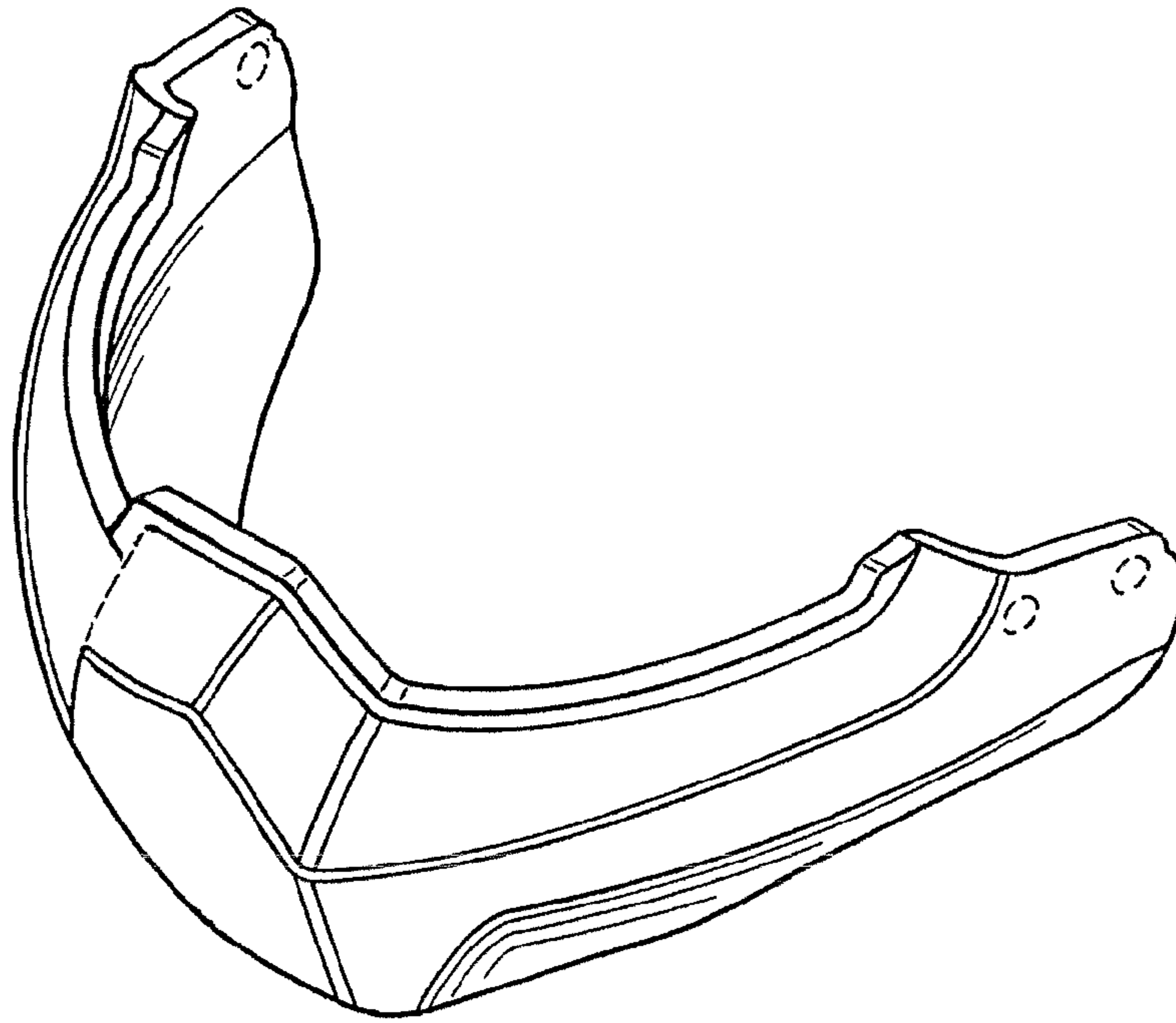


FIG. 2

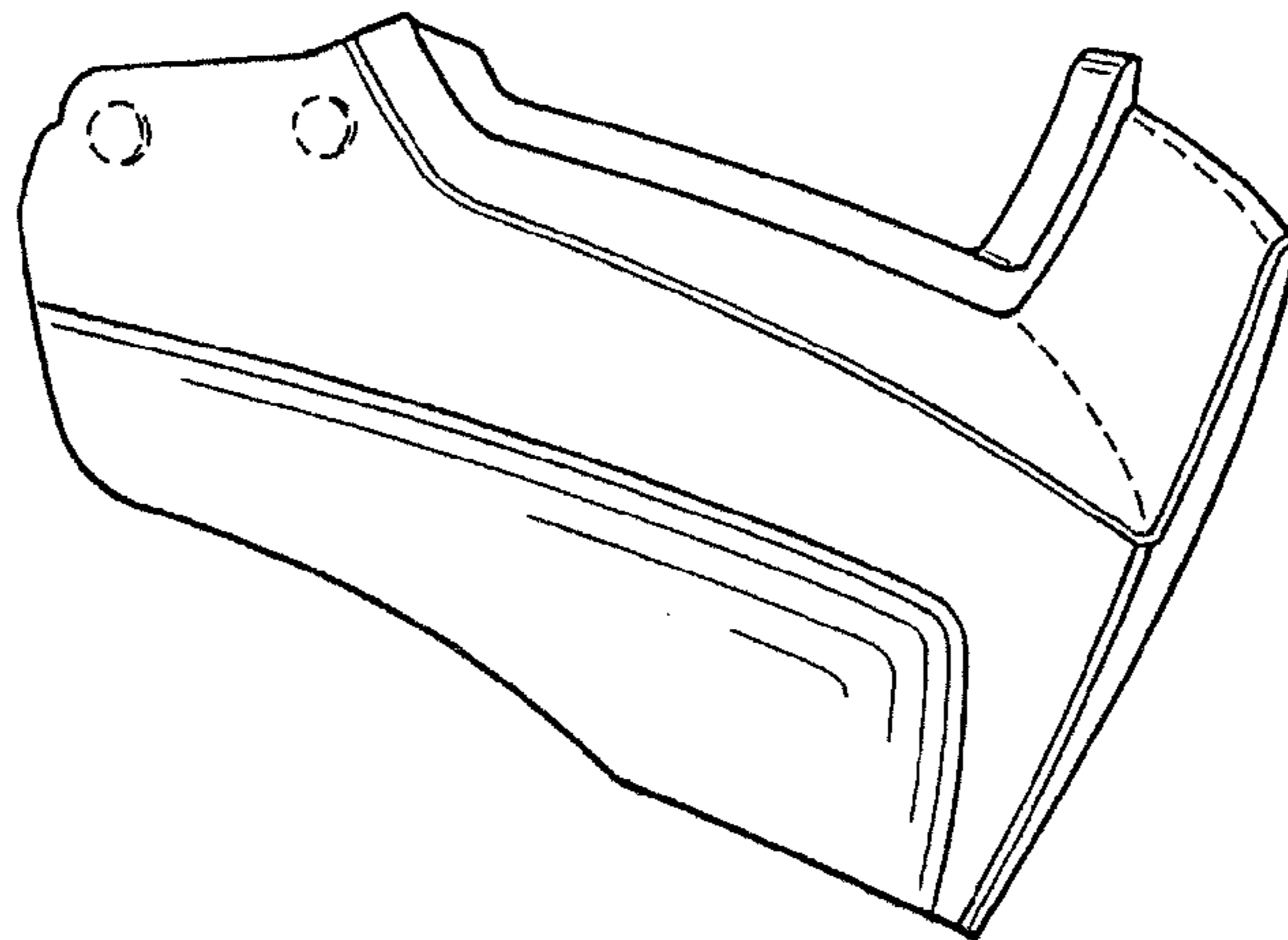


FIG. 3

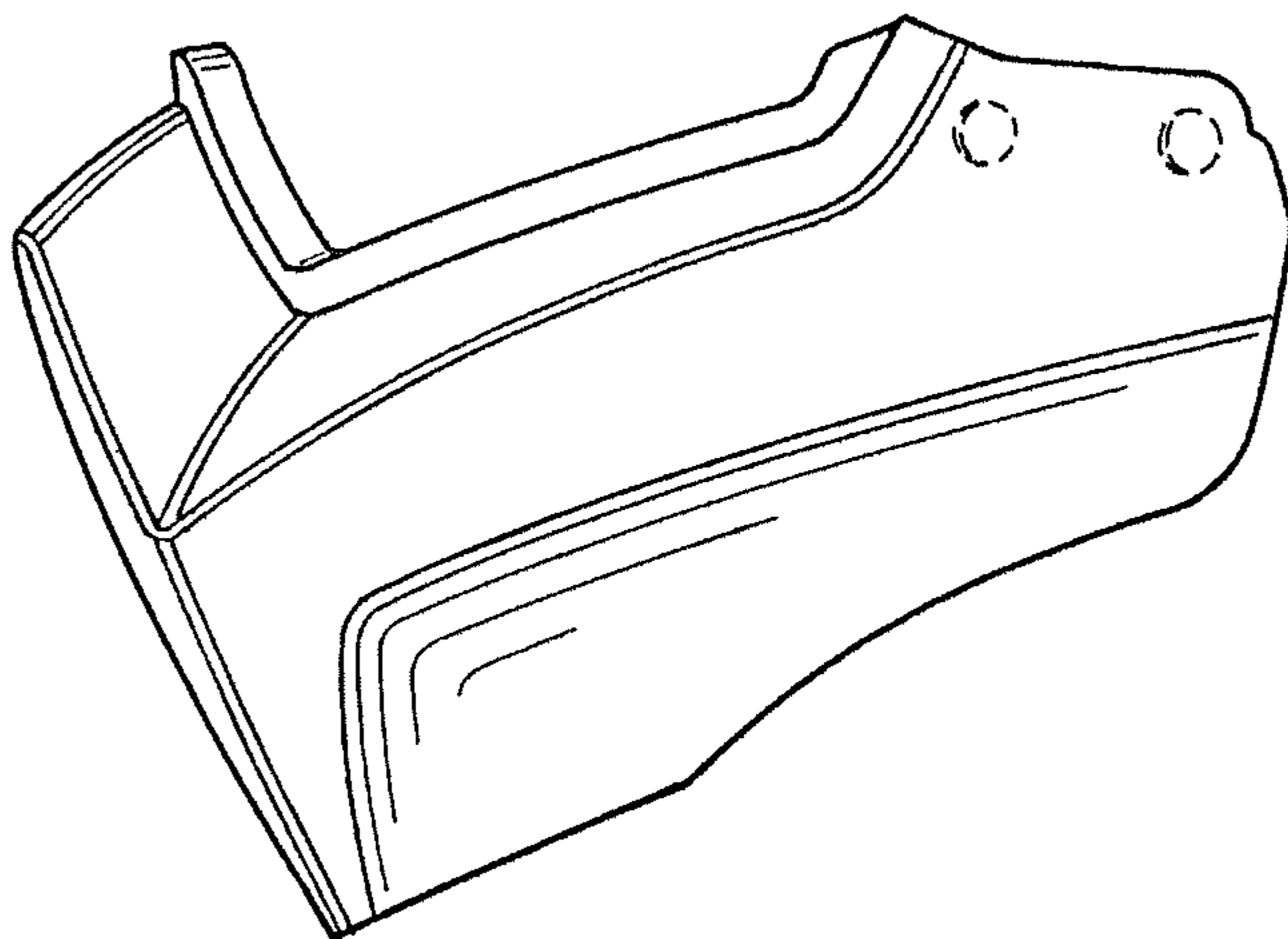


FIG. 4

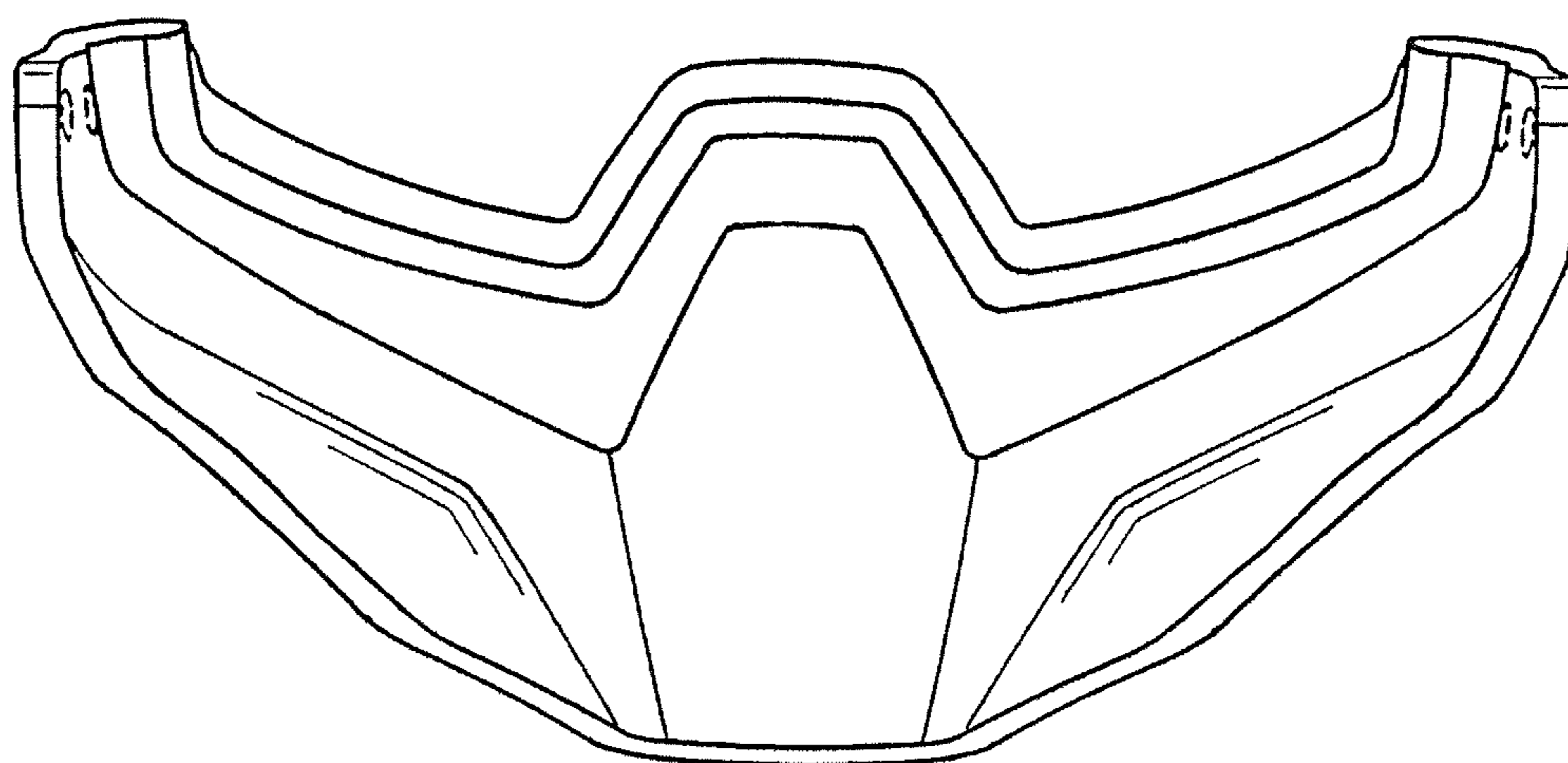


FIG. 5

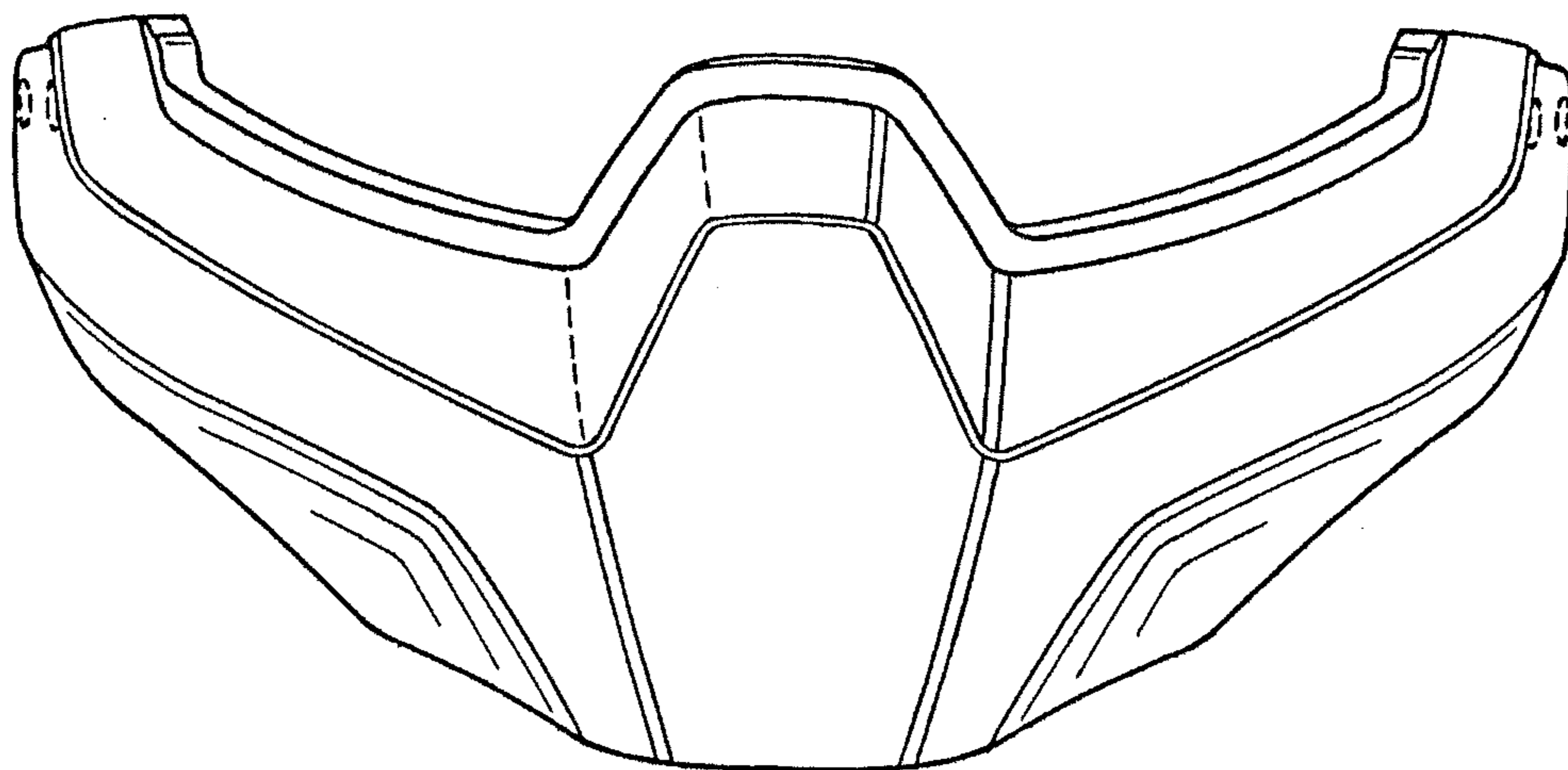


FIG. 6

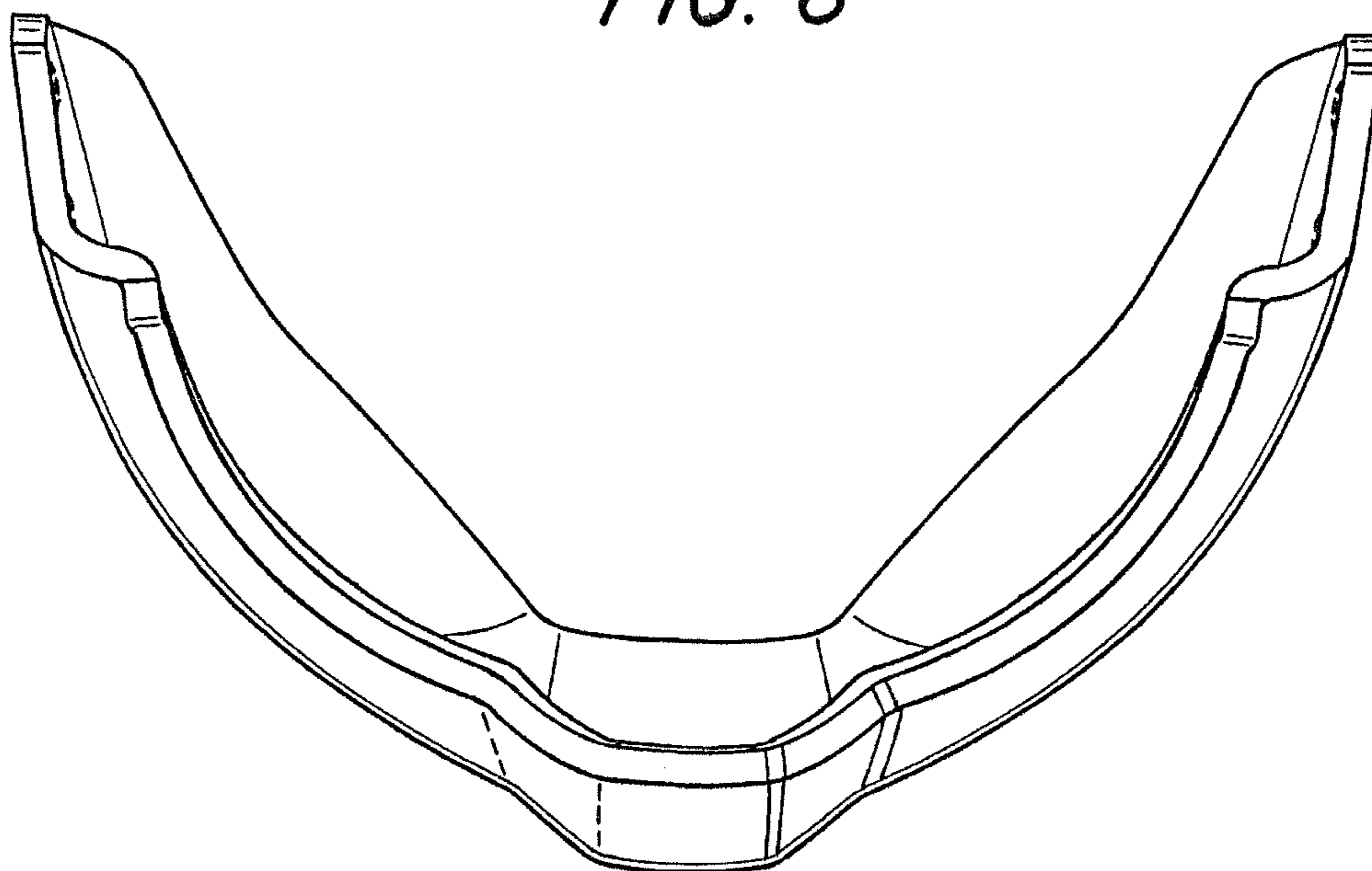


FIG. 7

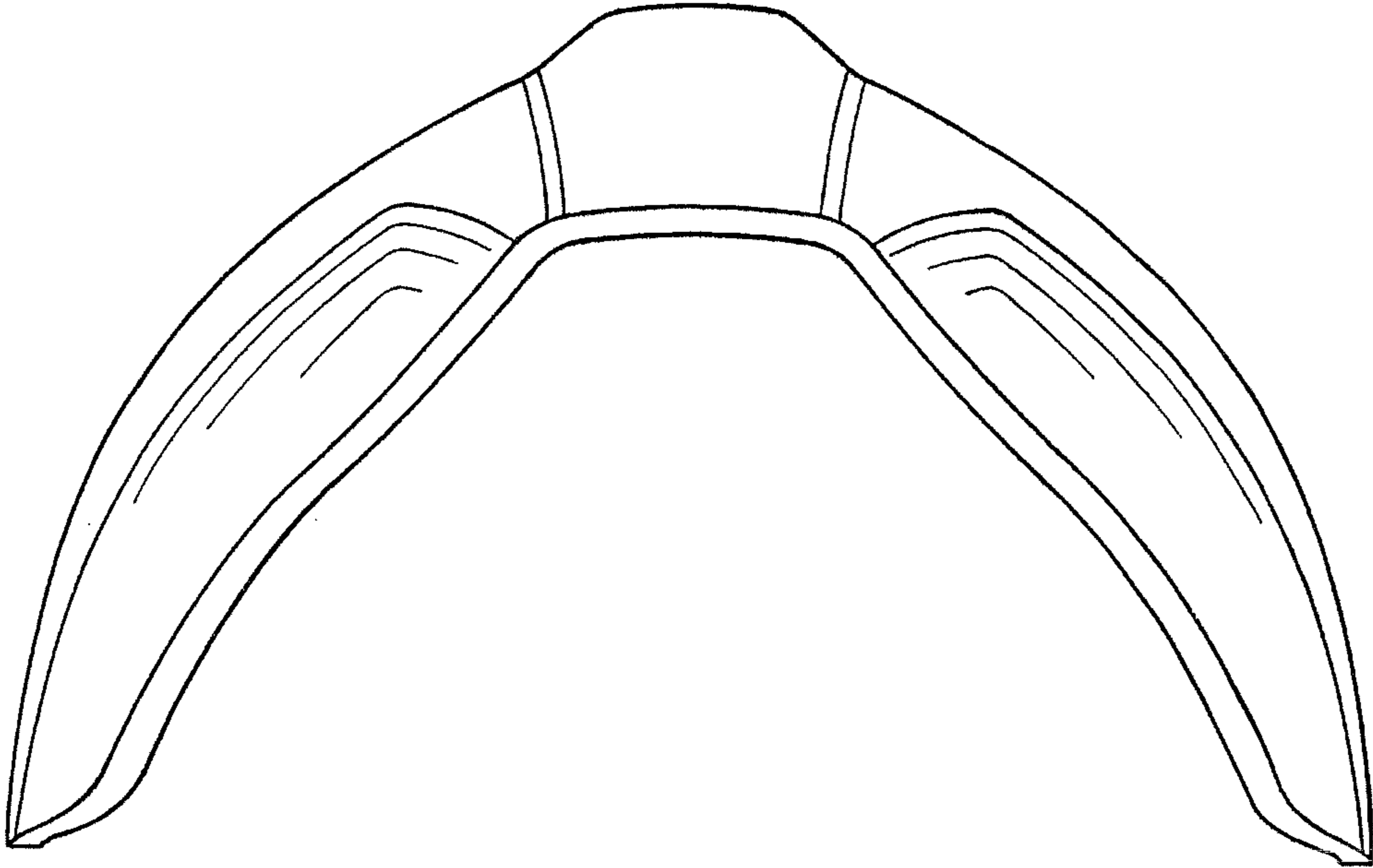


FIG. 8

