



US00D701001S

(12) **United States Design Patent**
Daniel

(10) **Patent No.:** **US D701,001 S**
(45) **Date of Patent:** **** Mar. 11, 2014**

(54) **WRISTBAND WITH AN INSERTABLE SLEEVE FOR ELECTRONIC PAPER DISPLAY**

(71) Applicant: **Isaac S. Daniel**, Miramar, FL (US)

(72) Inventor: **Isaac S. Daniel**, Miramar, FL (US)

(**) Term: **14 Years**

(21) Appl. No.: **29/436,633**

(22) Filed: **Nov. 7, 2012**

(51) **LOC (10) Cl.** **29-02**

(52) **U.S. Cl.**
USPC **D29/120.1**

(58) **Field of Classification Search**
USPC D29/100, 101.1, 101.2, 101.3, 101.4,
D29/101.5, 120.1, 120.2, 121.1, 121.2, 122;
D2/610, 612, 901; D24/190; 2/16,
2/20-24, 62, 267, 455, 461, 463, 910,
2/911, 170; 602/3, 5, 6, 16, 23, 26;
D3/215, 218, 219, 221, 226, 228;
224/219, 222, 267, 269

See application file for complete search history.

(56) **References Cited**

U.S. PATENT DOCUMENTS

D255,509	S	*	6/1980	Nathan et al.	D3/226
5,454,185	A	*	10/1995	Love	43/57.1
D371,675	S	*	7/1996	Carter	D3/215
D438,374	S	*	3/2001	Hayman	D3/215
6,472,590	B1	*	10/2002	Kulik	84/453
D487,844	S	*	3/2004	Nichols	D3/215
D507,103	S	*	7/2005	Charles, Jr.	D3/215

D515,805	S	*	2/2006	Jones	D3/215
D604,191	S	*	11/2009	Ohara et al.	D11/3
D616,197	S	*	5/2010	Fuccella	D3/218
D637,392	S	*	5/2011	Marshall	D3/215
D655,496	S	*	3/2012	Lamey et al.	D3/215
D681,945	S	*	5/2013	Willows et al.	D3/226

* cited by examiner

Primary Examiner — Randall Gholson

(74) *Attorney, Agent, or Firm* — Carol N. Green, Esq.

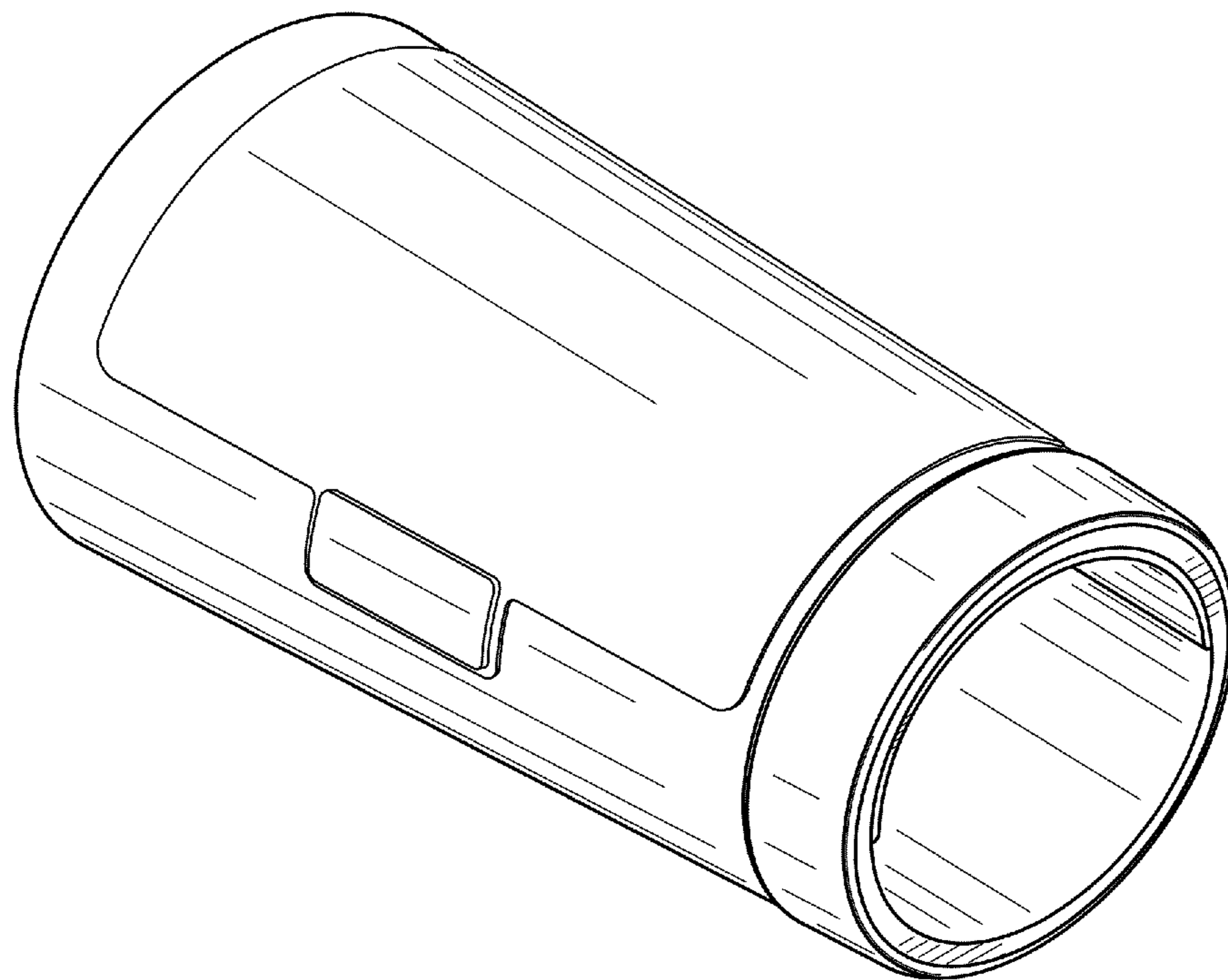
(57) **CLAIM**

The ornamental design for a wristband with an insertable sleeve for electronic paper display, as shown and described.

DESCRIPTION

FIG. 1 is a front perspective view of the invention.
 FIG. 2 is a rear perspective view of the invention.
 FIG. 3 is a top plan view of the invention.
 FIG. 4 is a bottom plan view of the invention.
 FIG. 5 is a front elevational view of the invention.
 FIG. 6 is a rear elevational view of the invention.
 FIG. 7 is a right side view of the invention.
 FIG. 8 is a left side view the invention.
 FIG. 9 is a top perspective view of the invention with the electronic paper display cover partially open and an unclaimed electronic paper partially inserted within the insertable sleeve; and,
 FIG. 10 shows the invention in use.
 The broken lines shown in FIGS. 9 and 10 depict an electronic paper and a wearer of the invention respectively and form no part of the claimed design.

1 Claim, 6 Drawing Sheets



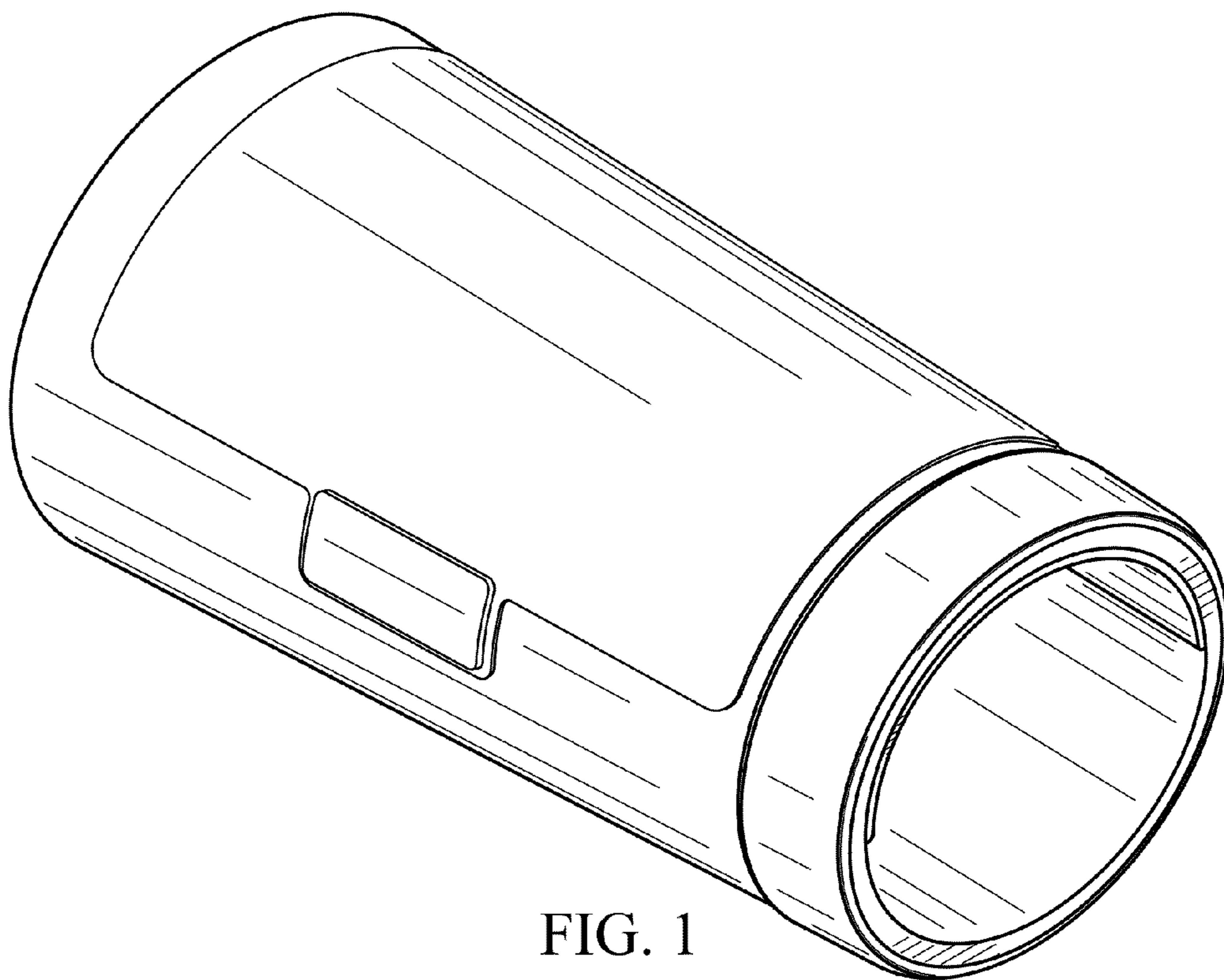


FIG. 1

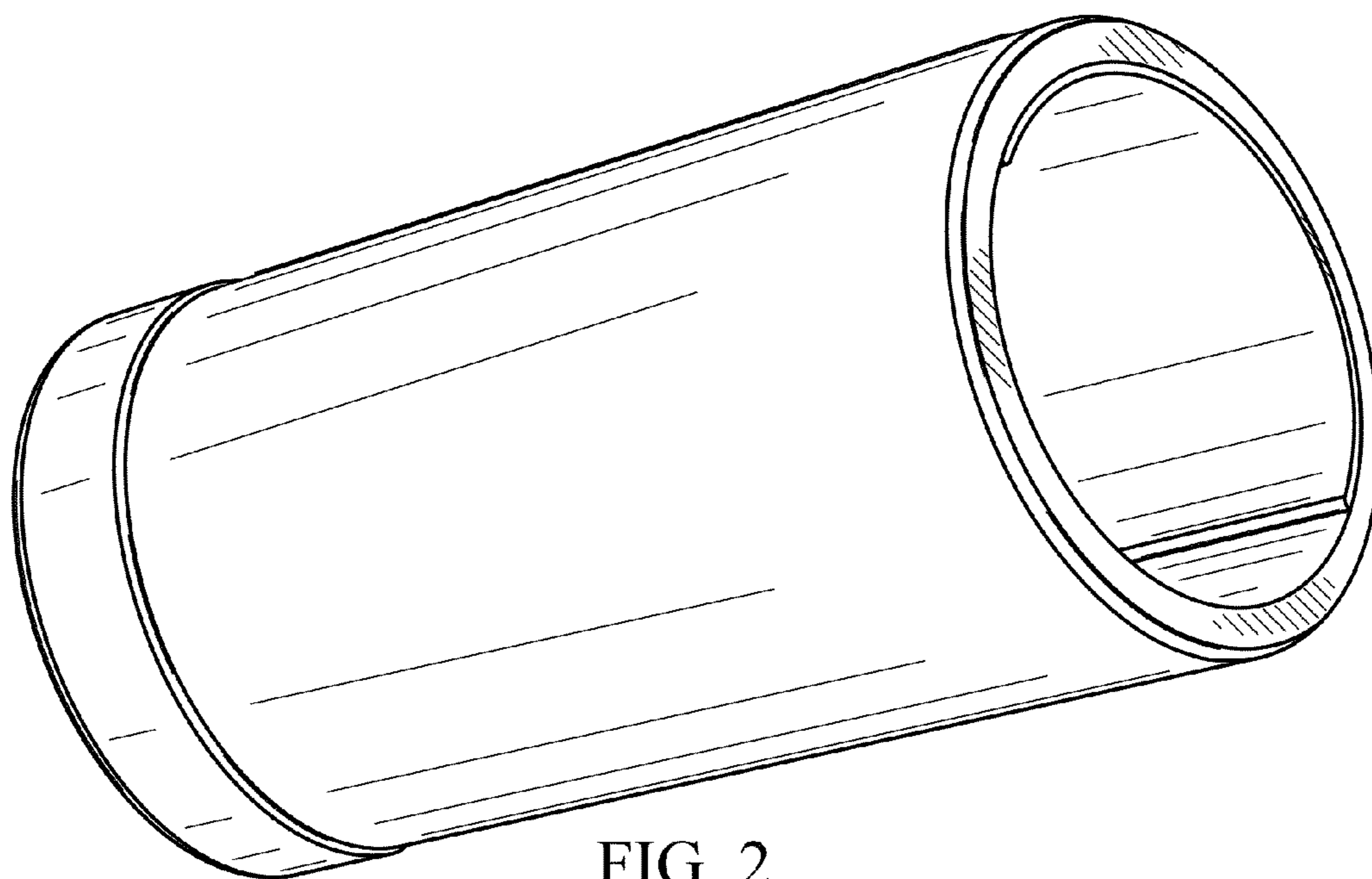


FIG. 2

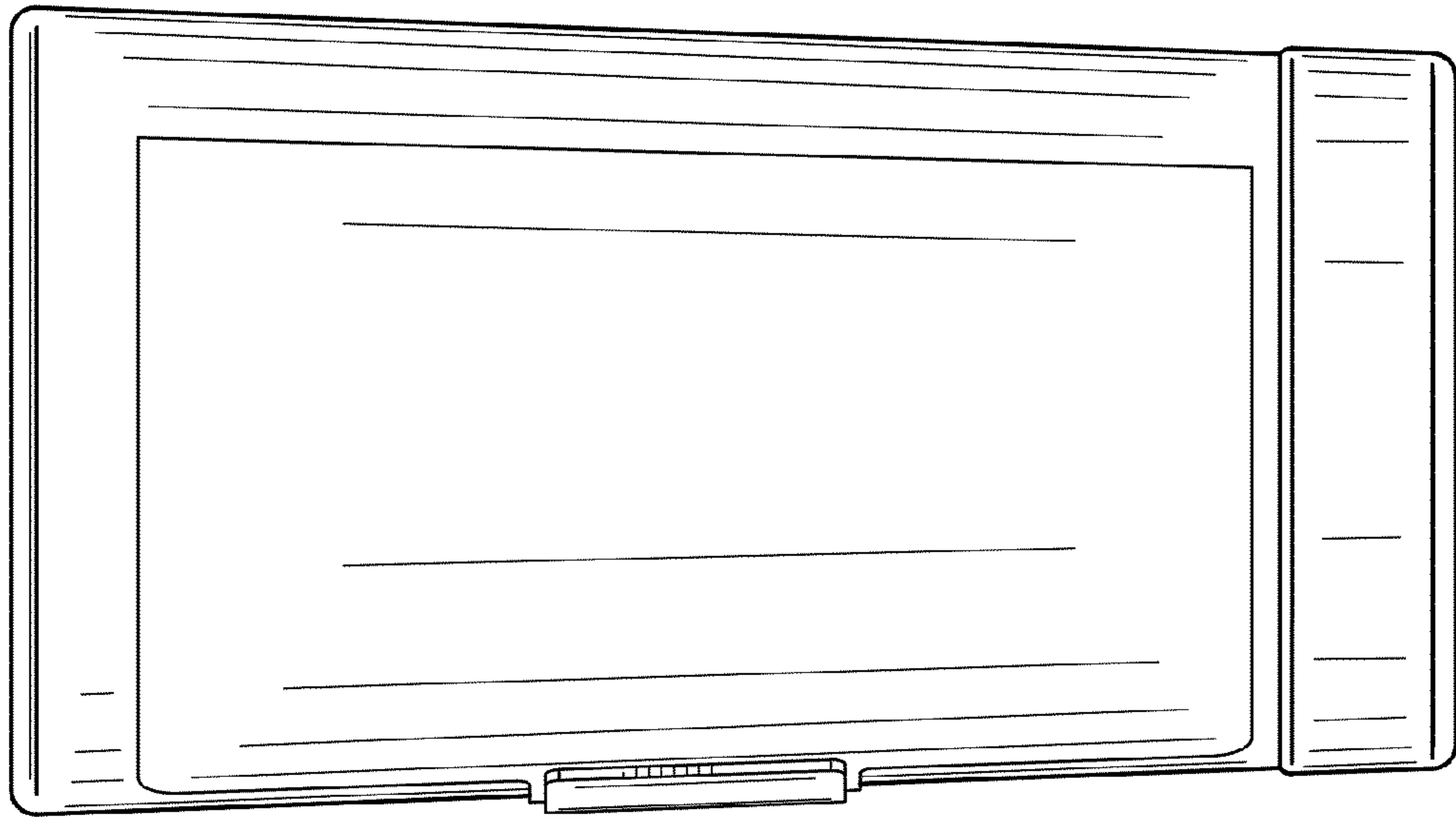


FIG. 3

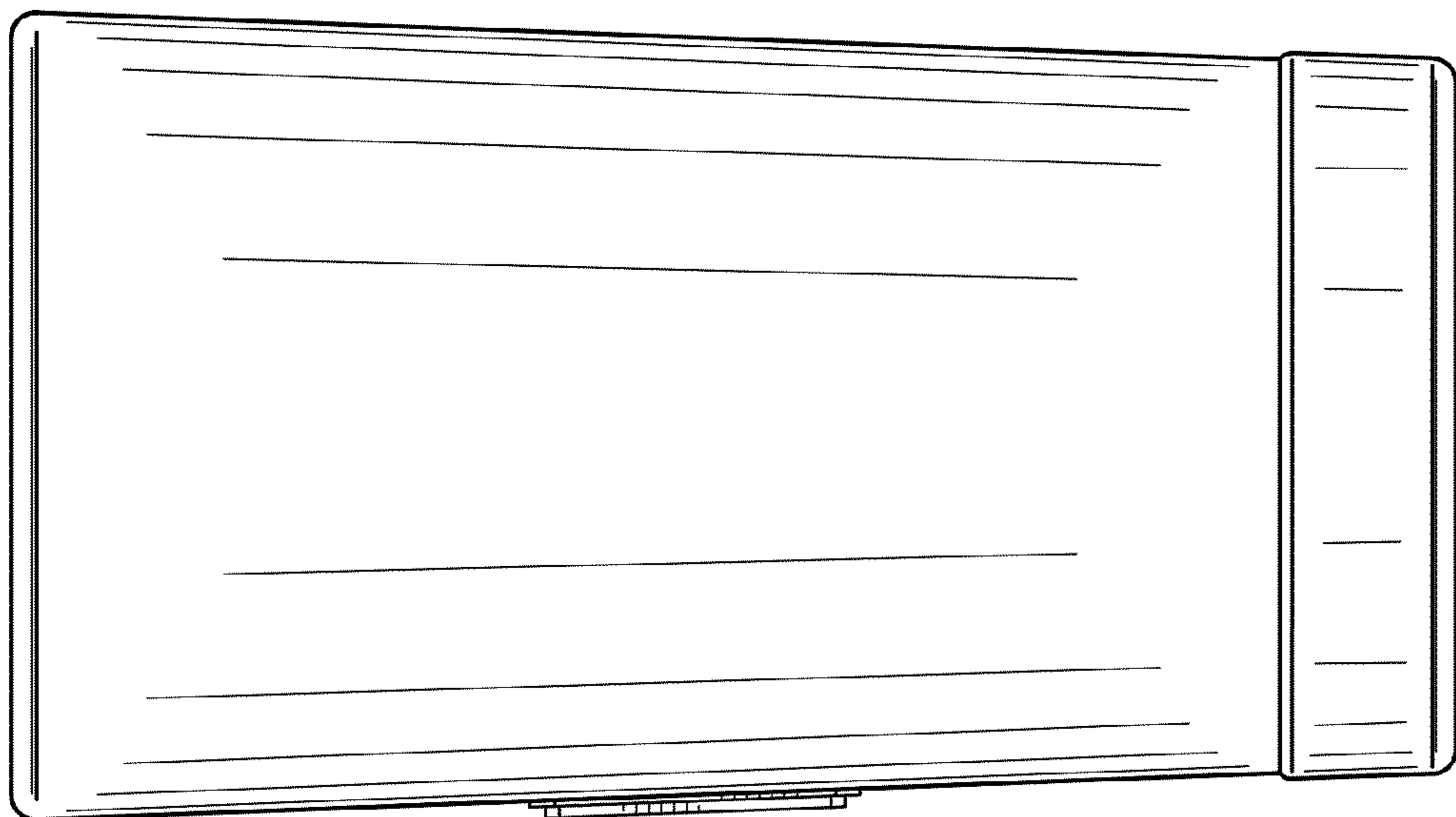


FIG. 4

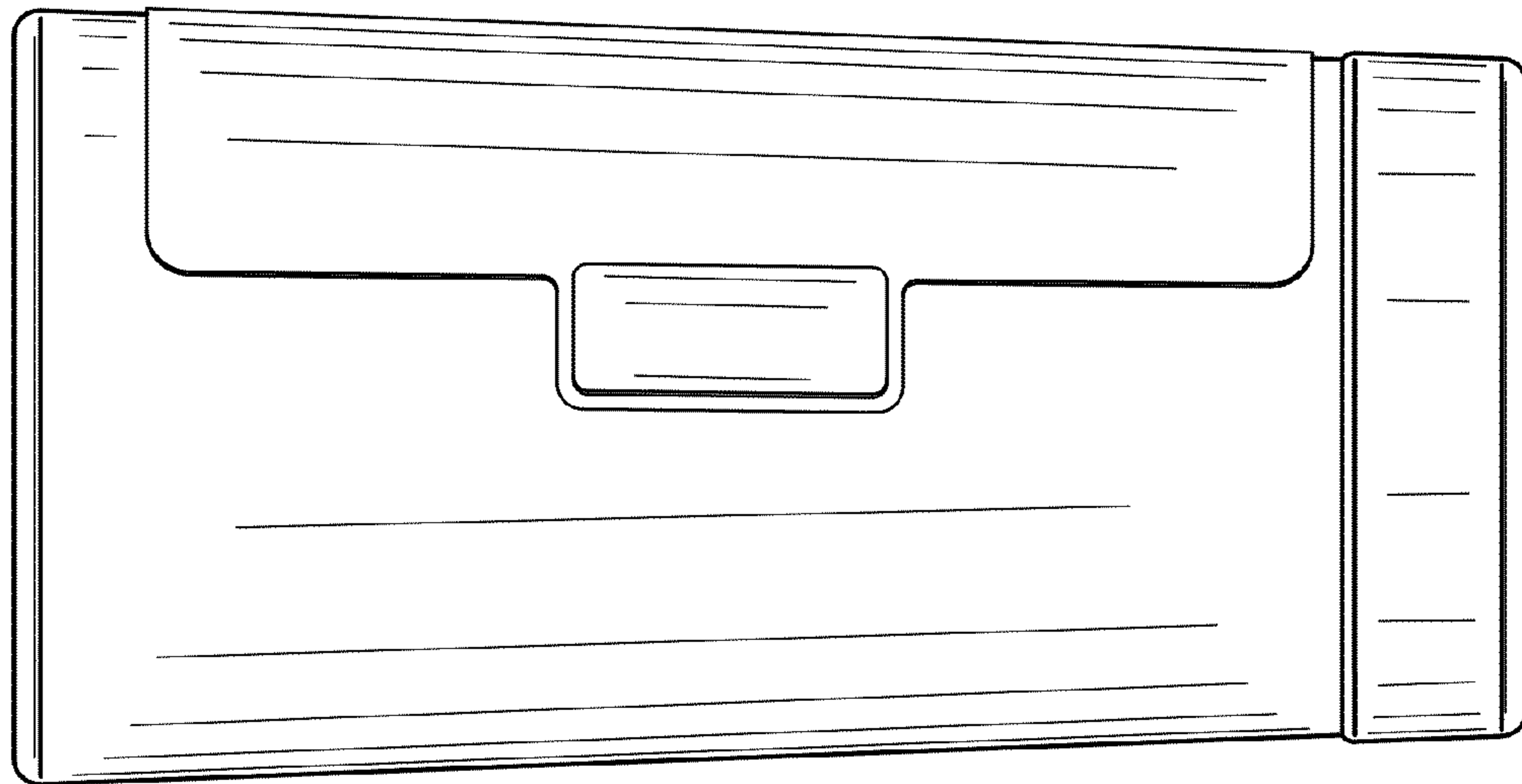


FIG. 5

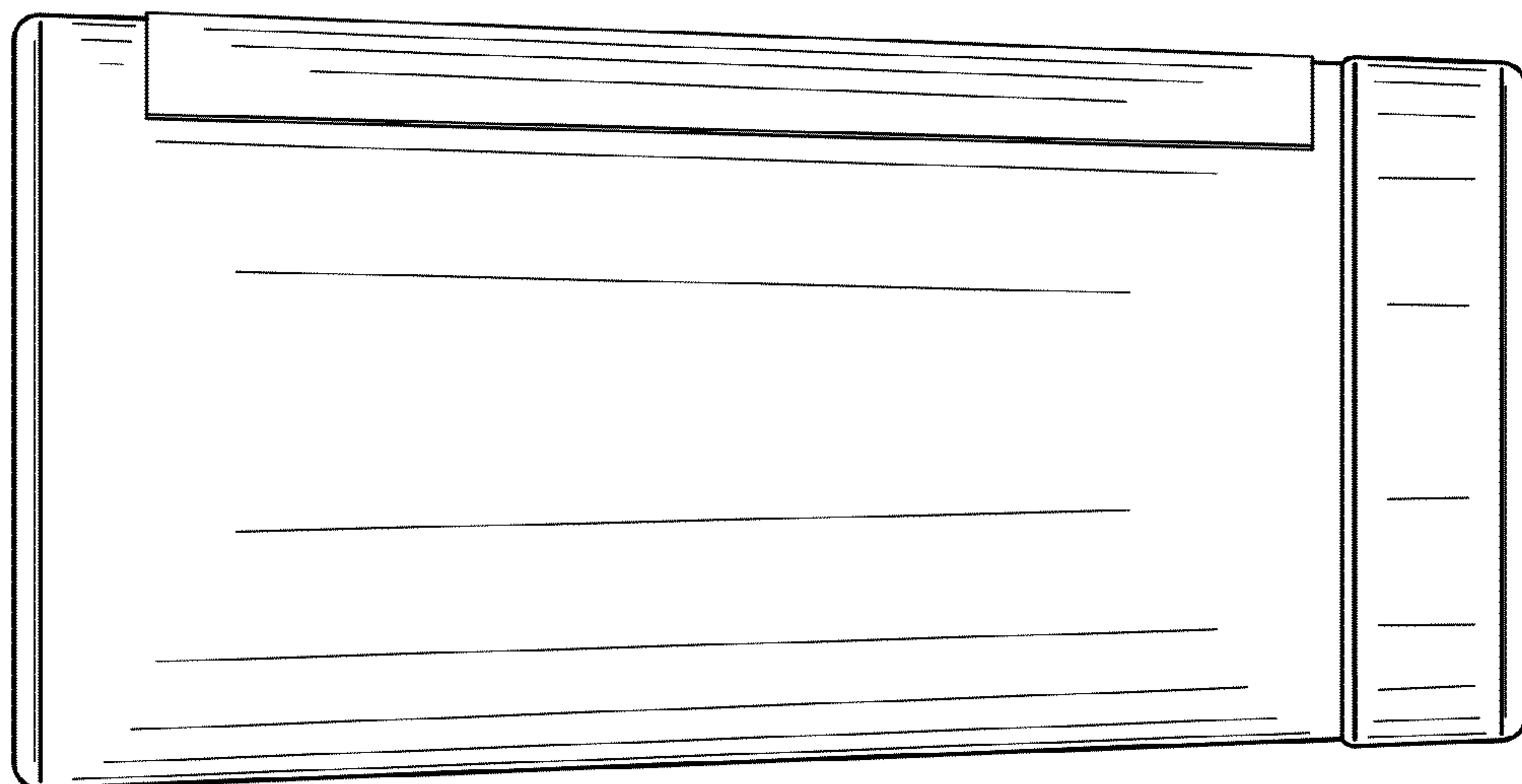


FIG. 6

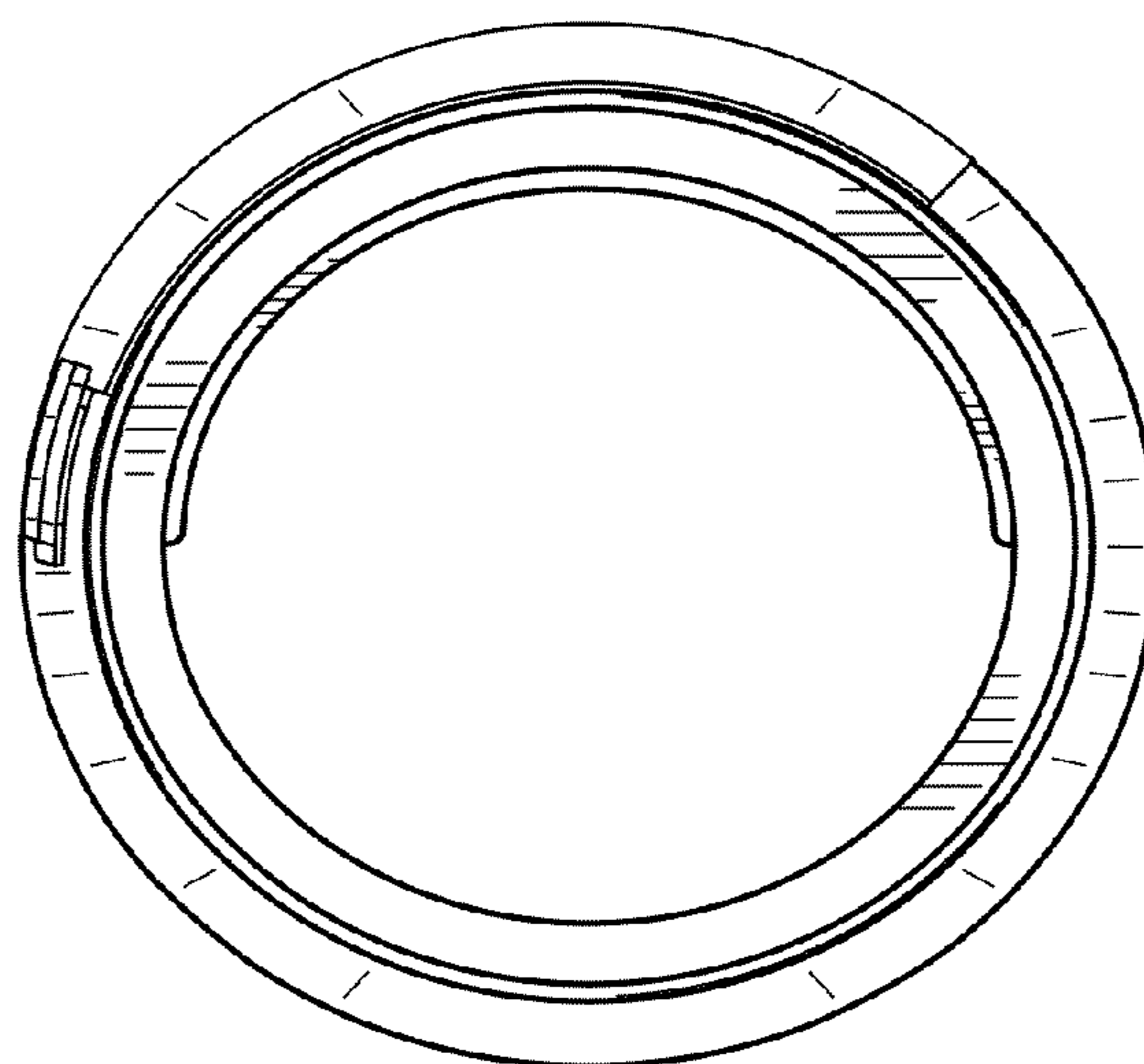


FIG. 7

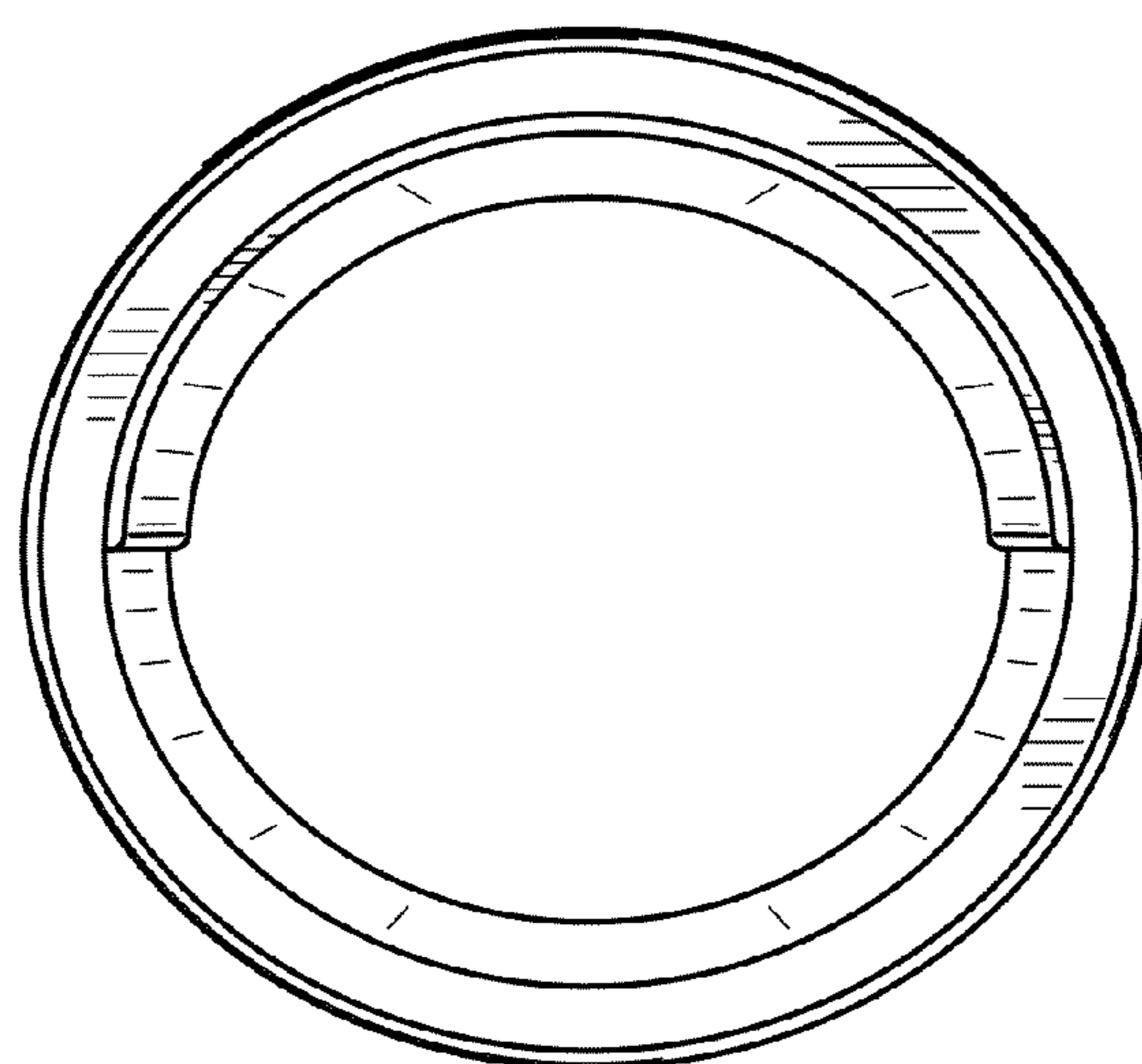


FIG. 8

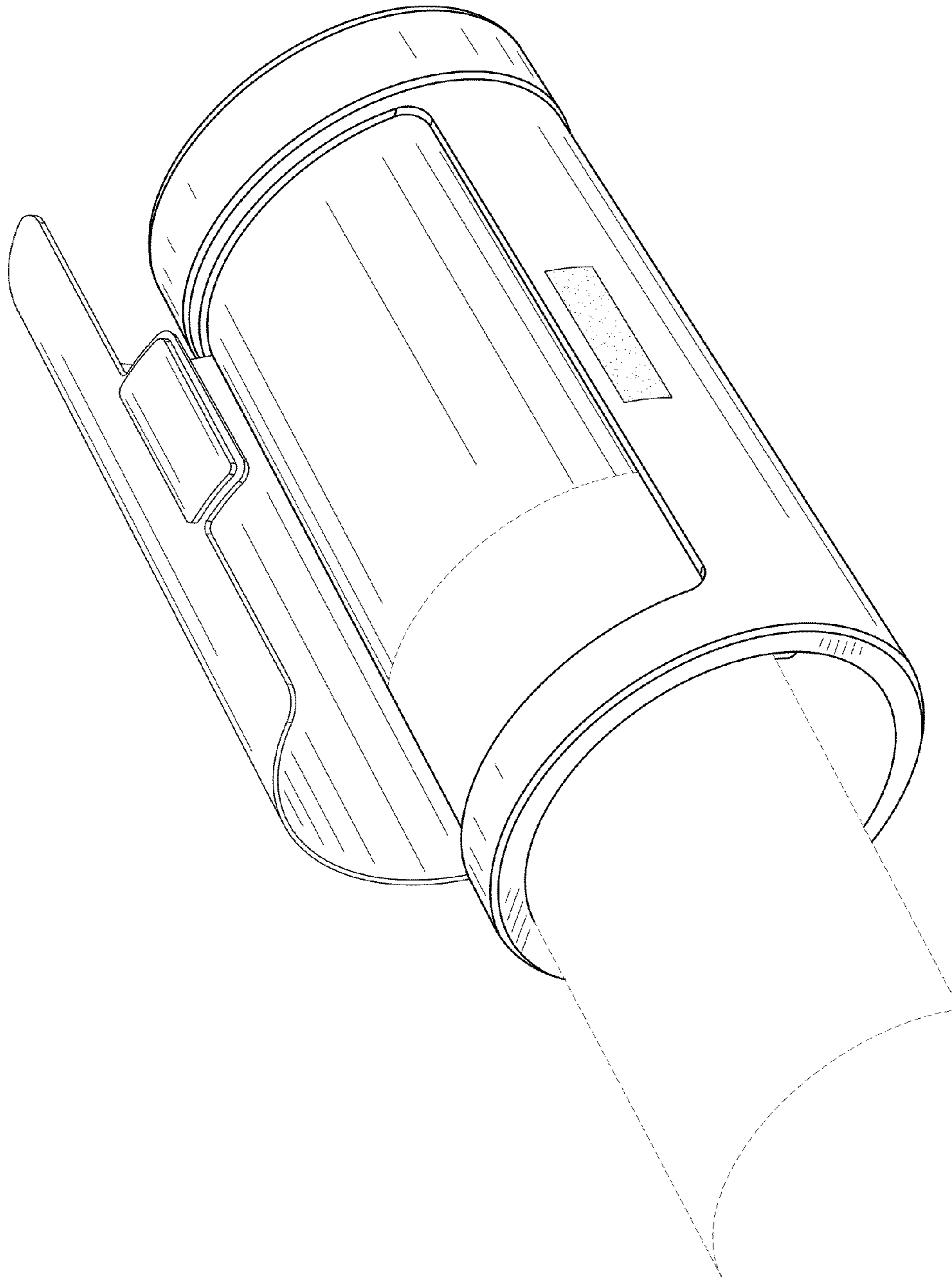


FIG. 9

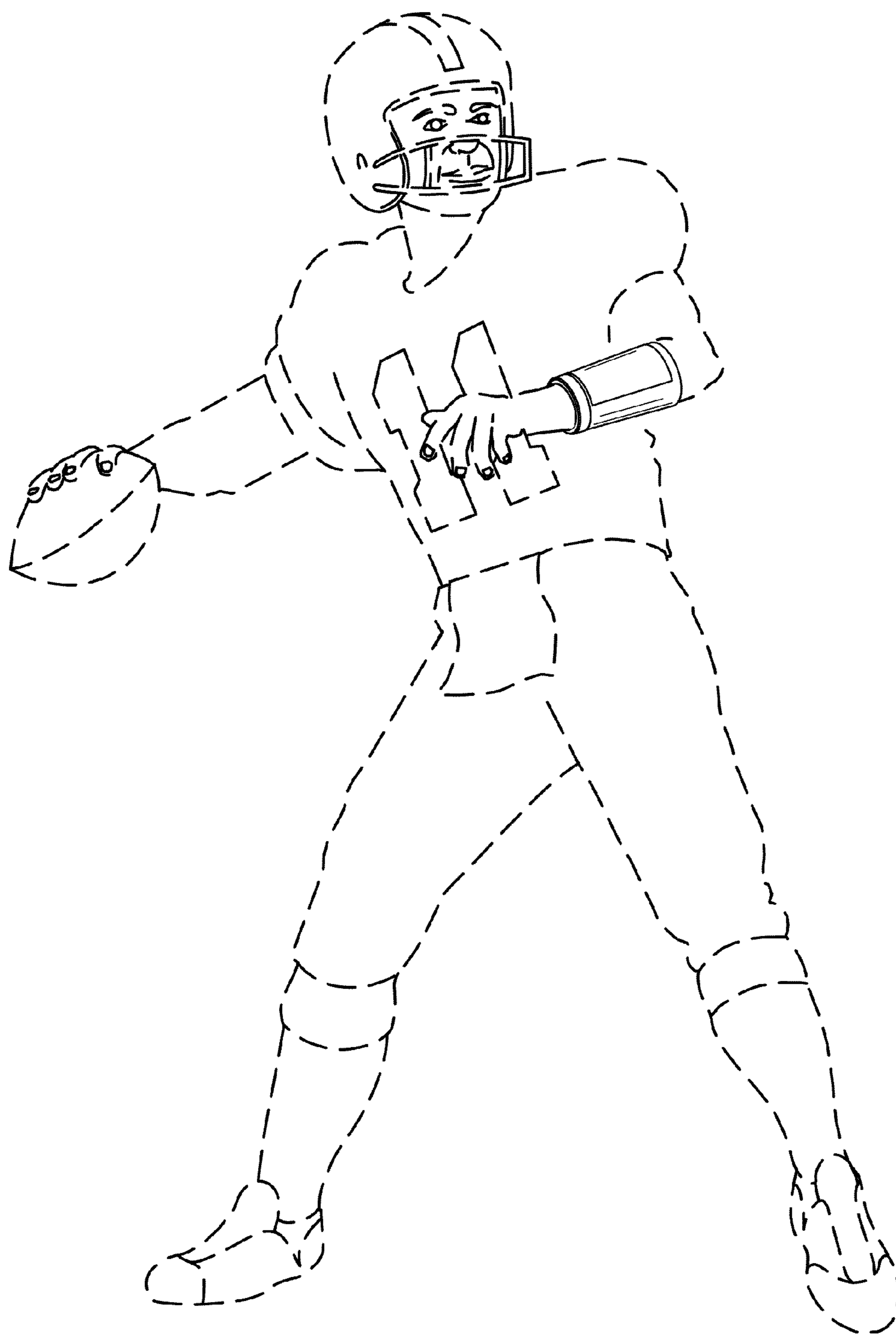


FIG. 10