

US00D700997S

(12) **United States Design Patent**
Marut

(10) **Patent No.:** **US D700,997 S**
(45) **Date of Patent:** **** Mar. 11, 2014**

(54) **BACK SHAVER**

(71) Applicant: **Brett Marut**, Miami Beach, FL (US)

(72) Inventor: **Brett Marut**, Miami Beach, FL (US)

(**) Term: **14 Years**

(21) Appl. No.: **29/456,968**

(22) Filed: **Jun. 5, 2013**

(51) **LOC (10) Cl.** **28-03**

(52) **U.S. Cl.**
USPC **D28/49**

(58) **Field of Classification Search**
USPC D28/49-54, 44-48; 30/34.05, 32, 34.1,
30/34.2, 43-43.92, 526-527, 44-45, 341,
30/272.1, 226-227, 231, 233-233.5, 537
See application file for complete search history.

(56) **References Cited**

U.S. PATENT DOCUMENTS

6,189,222 B1 * 2/2001 Doyle 30/531
D540,489 S * 4/2007 Leventhal et al. D28/46
D623,800 S * 9/2010 Clemons D28/46

D659,904 S * 5/2012 Gilbert D28/48
2003/0177648 A1 * 9/2003 Zeiter 30/526
2004/0107585 A1 * 6/2004 Helmrich 30/537

* cited by examiner

Primary Examiner — Jennifer Rivard

(74) *Attorney, Agent, or Firm* — Raymond Sun

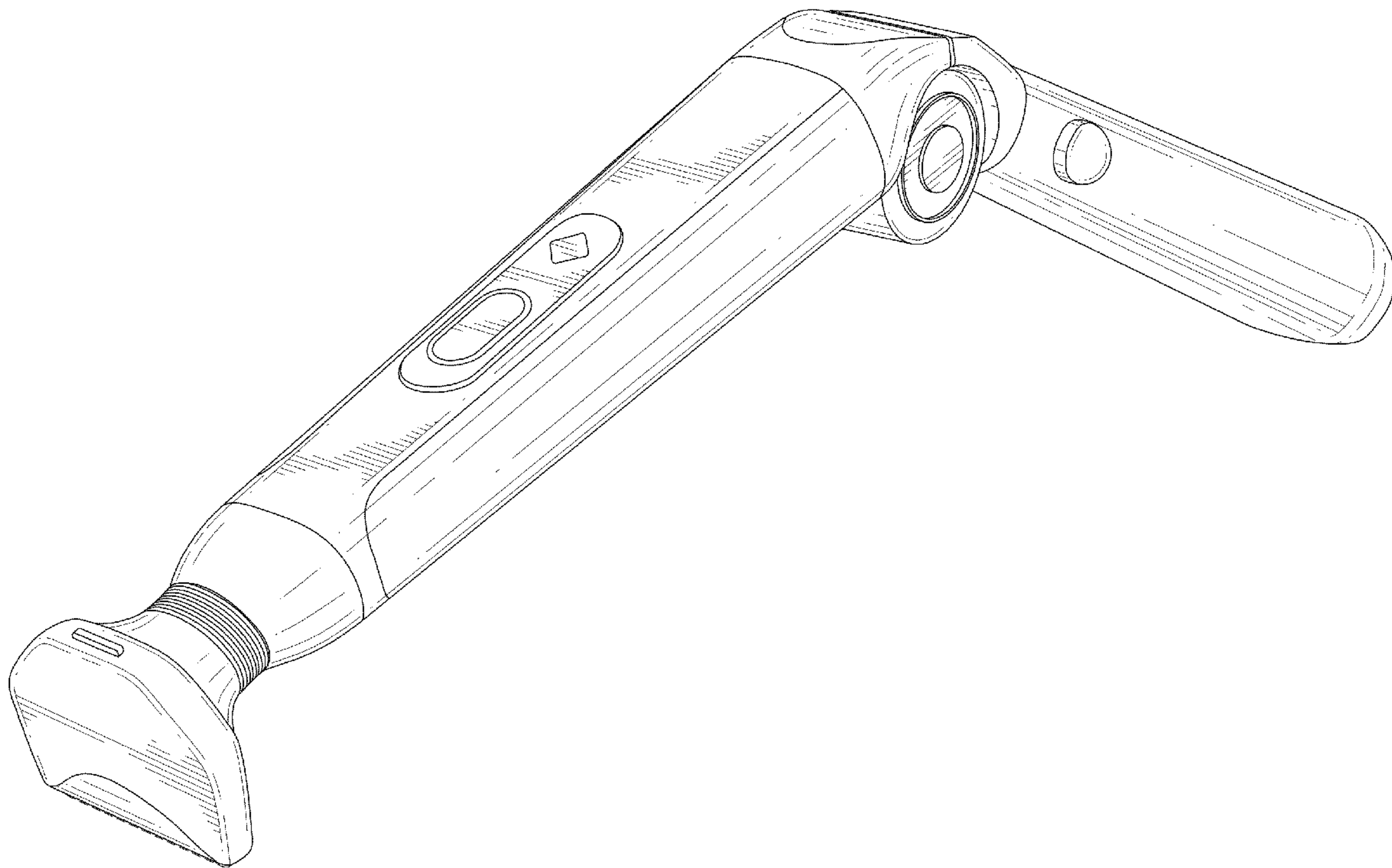
(57) **CLAIM**

I claim the ornamental design for a back shaver, as shown and described.

DESCRIPTION

FIG. 1 is a perspective view of a back shaver showing my new design;
FIG. 2 is a front view thereof;
FIG. 3 is a rear view thereof;
FIG. 4 is a left view thereof;
FIG. 5 is a right view thereof;
FIG. 6 is a top view thereof; and,
FIG. 7 is a bottom view thereof.
The broken lines illustrate a portion of the back shaver and form no part of the claimed design.

1 Claim, 6 Drawing Sheets



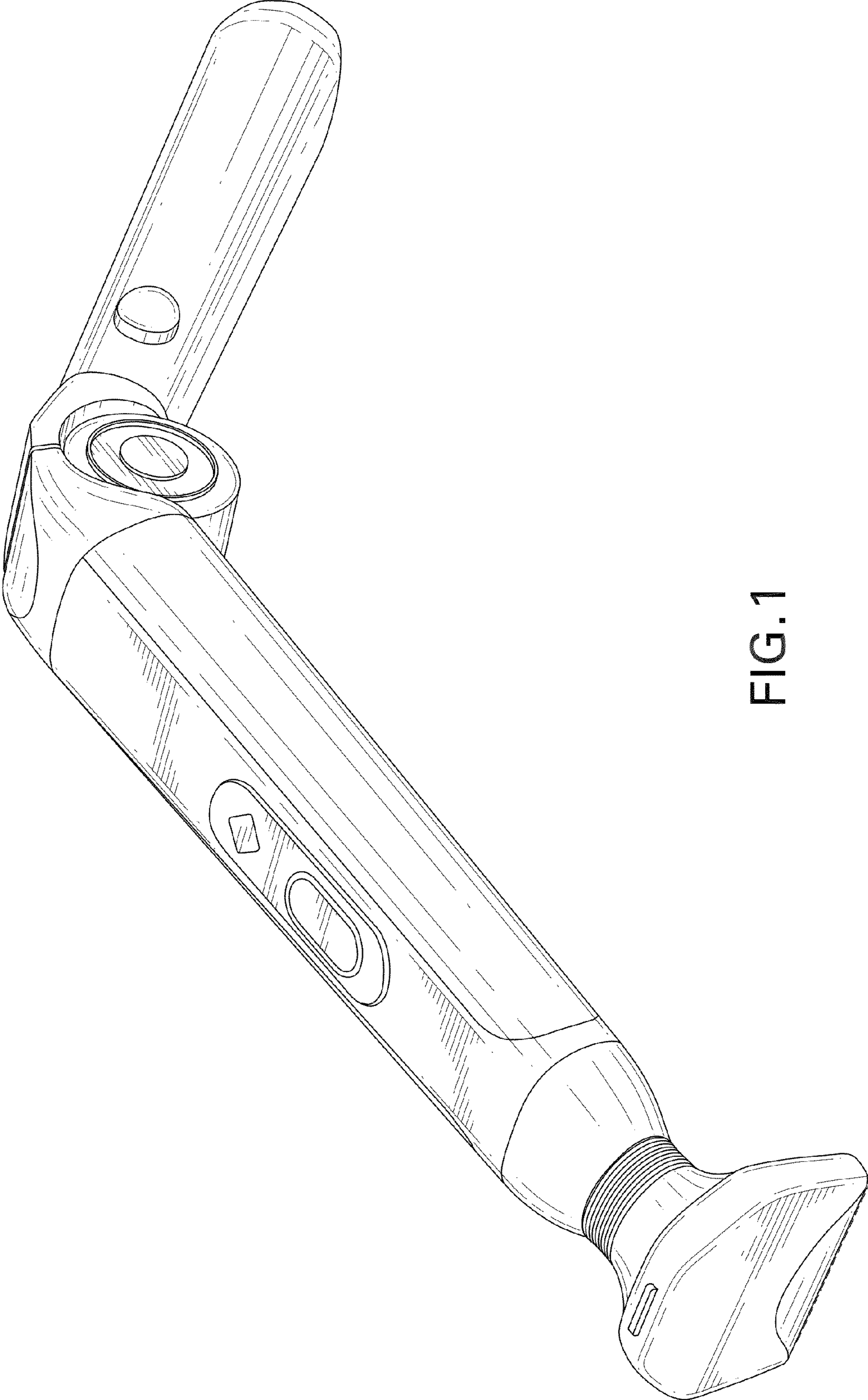


FIG. 1

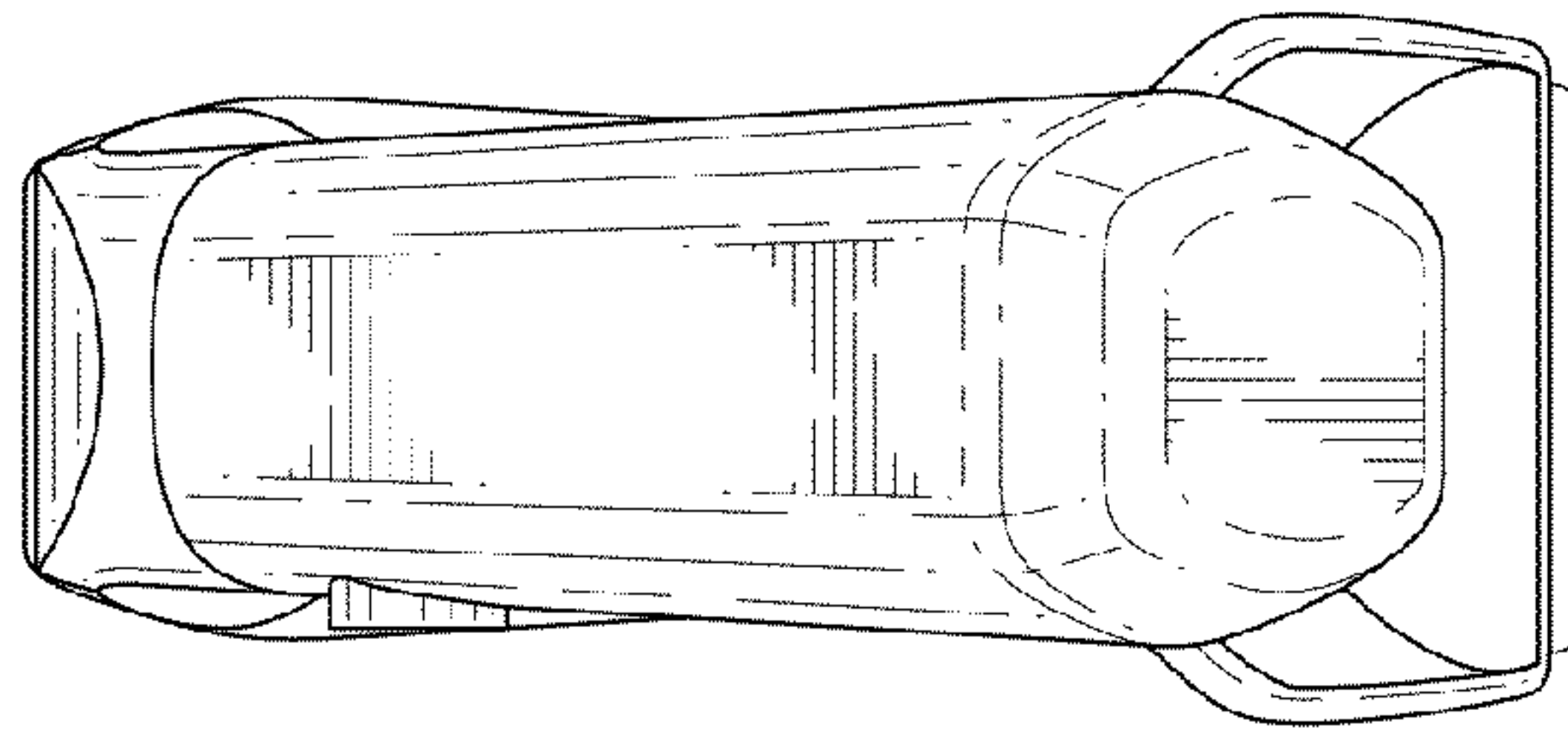


FIG. 3

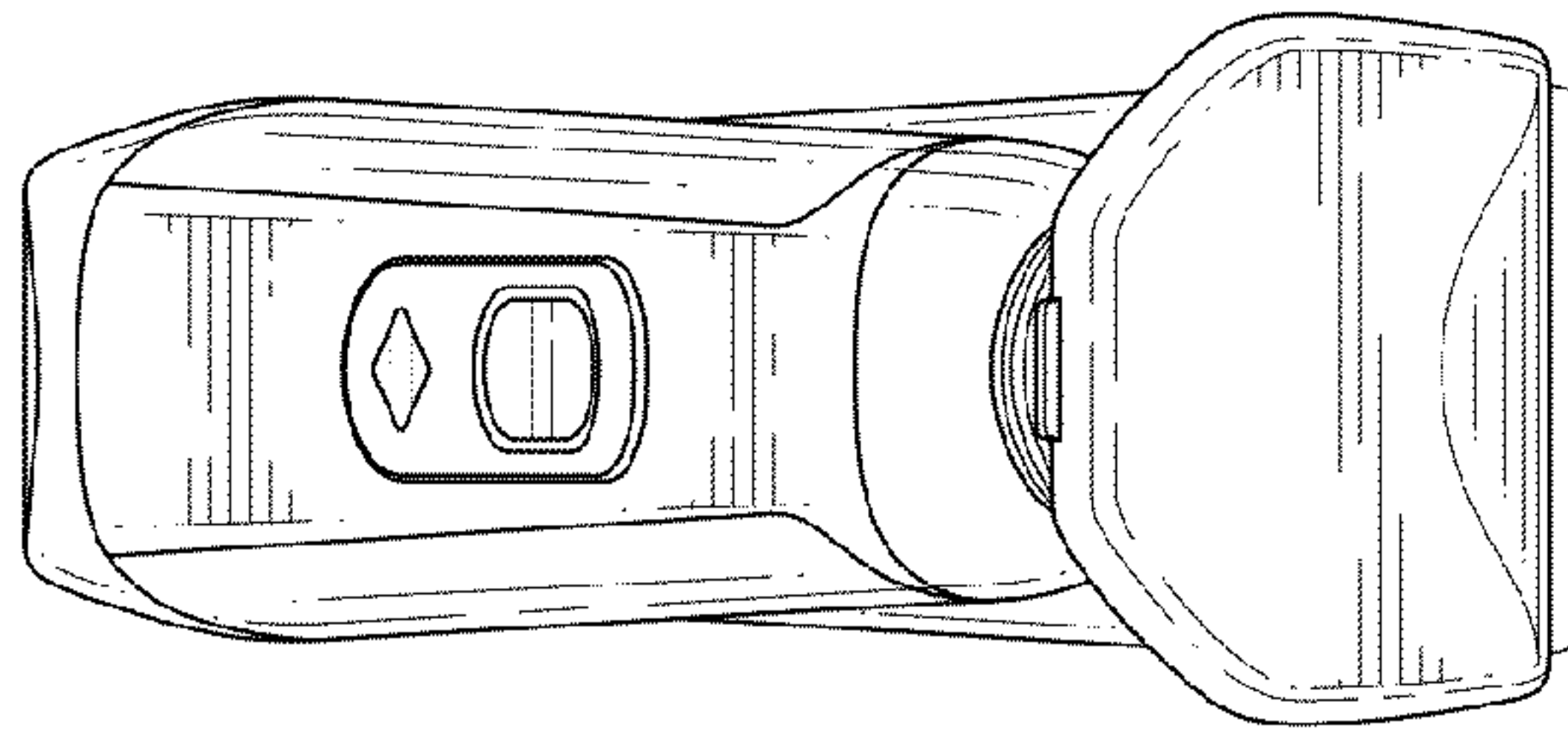


FIG. 2

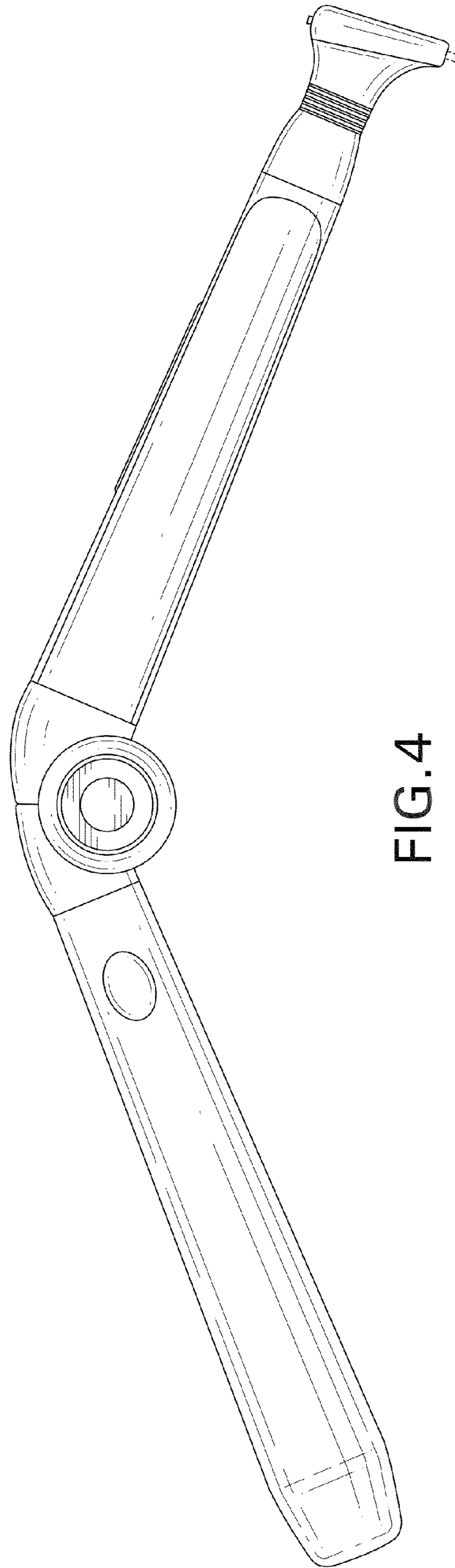


FIG. 4

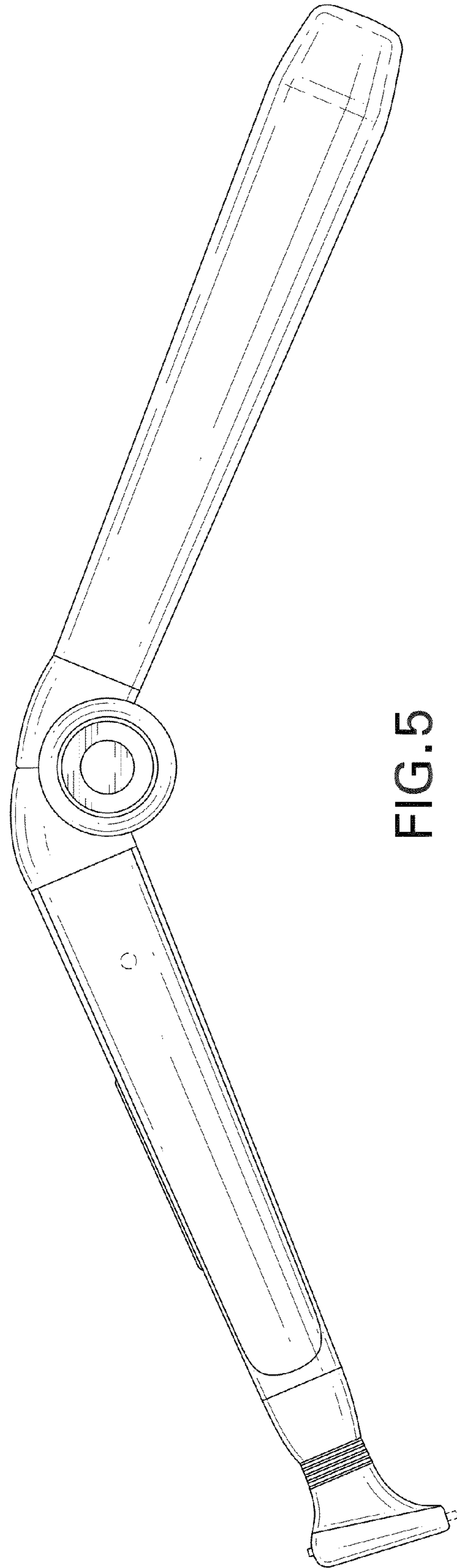


FIG. 5

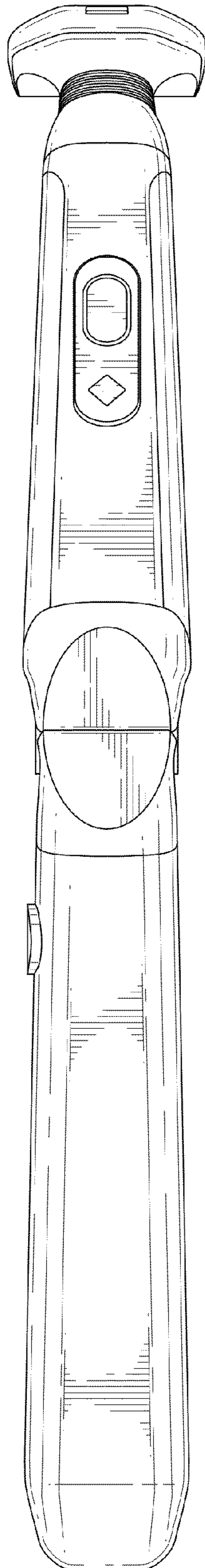


FIG. 6

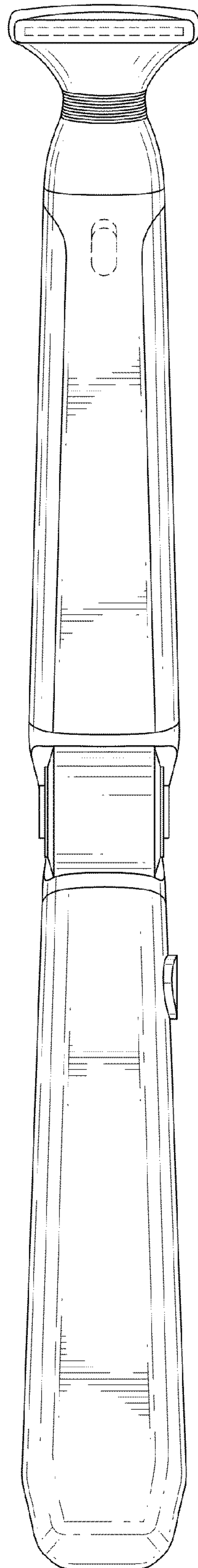


FIG. 7