

US00D700994S

(12) **United States Design Patent**  
**Alarcon et al.**

(10) **Patent No.:** **US D700,994 S**  
(45) **Date of Patent:** **\*\* Mar. 11, 2014**

(54) **ELECTRONIC CIGARETTE PACK**

(71) Applicant: **LOEC, Inc.**, Greensboro, NC (US)

(72) Inventors: **Ramon Alarcon**, Los Gatos, CA (US);  
**Jason Healy**, Charlotte, NC (US)

(73) Assignee: **LOEC, Inc.**, Greensboro, NC (US)

(\*\*) Term: **14 Years**

(21) Appl. No.: **29/448,079**

(22) Filed: **Mar. 8, 2013**

(51) **LOC (10) Cl.** ..... **27-06**

(52) **U.S. Cl.**  
USPC ..... **D27/189**

(58) **Field of Classification Search**  
USPC ..... D27/100, 101, 103–105, 108, 125,  
D27/163–165, 170, 172, 174–176,  
D27/183–194; D34/2; 206/242–276; D3/11,  
D3/215, 220, 226–230, 265, 266, 294, 315,  
D3/321, 281; 4/258, 259, 267, 271, 283;  
131/270–273, 329, 330, 194, 189, 347,  
131/360–365; D24/110, 113; D19/77, 81,  
D19/84; D28/73–77, 83, 85; D9/702, 710,  
D9/423, 721, 414, 420, 737, 751, 456;  
D14/138 AA, 138 AD; D13/108

See application file for complete search history.

(56) **References Cited**

U.S. PATENT DOCUMENTS

D438,106 S *	2/2001	Brown et al.	.....	D9/432
D472,013 S *	3/2003	Conti et al.	.....	D27/189
6,592,023 B2 *	7/2003	Li Vigni et al.	.....	229/146
D479,357 S *	9/2003	Focke et al.	.....	D27/189
D480,174 S *	9/2003	Draghetti et al.	.....	D27/189
D596,348 S *	7/2009	Buse	.....	D27/189

(Continued)

OTHER PUBLICATIONS

Best Blu Cigs Electronic Cigarette Review Demo! published on Dec. 28, 2009 by Electronic Cigarette Review at <<http://www.youtube.com/watch?v=Uoy29KAVMe0>>.\*

(Continued)

*Primary Examiner* — Susan Bennett Hattan

*Assistant Examiner* — Janice Hallmark

(74) *Attorney, Agent, or Firm* — Dykema Gossett PLLC

(57) **CLAIM**

We claim the ornamental design for an electronic cigarette pack, as show and described.

**DESCRIPTION**

FIG. 1 is a right-front perspective view of the electronic cigarette pack;

FIG. 2 is a front view of the electronic cigarette pack shown in FIG. 1;

FIG. 3 is a rear view of the electronic cigarette pack shown in FIG. 1;

FIG. 4 is a left side view of the electronic cigarette pack shown in FIG. 1;

FIG. 5 is a right side view of the electronic cigarette pack shown in FIG. 1;

FIG. 6 is a top view of the electronic cigarette pack shown in FIG. 1;

FIG. 7 is a bottom view of the electronic cigarette pack shown in FIG. 1;

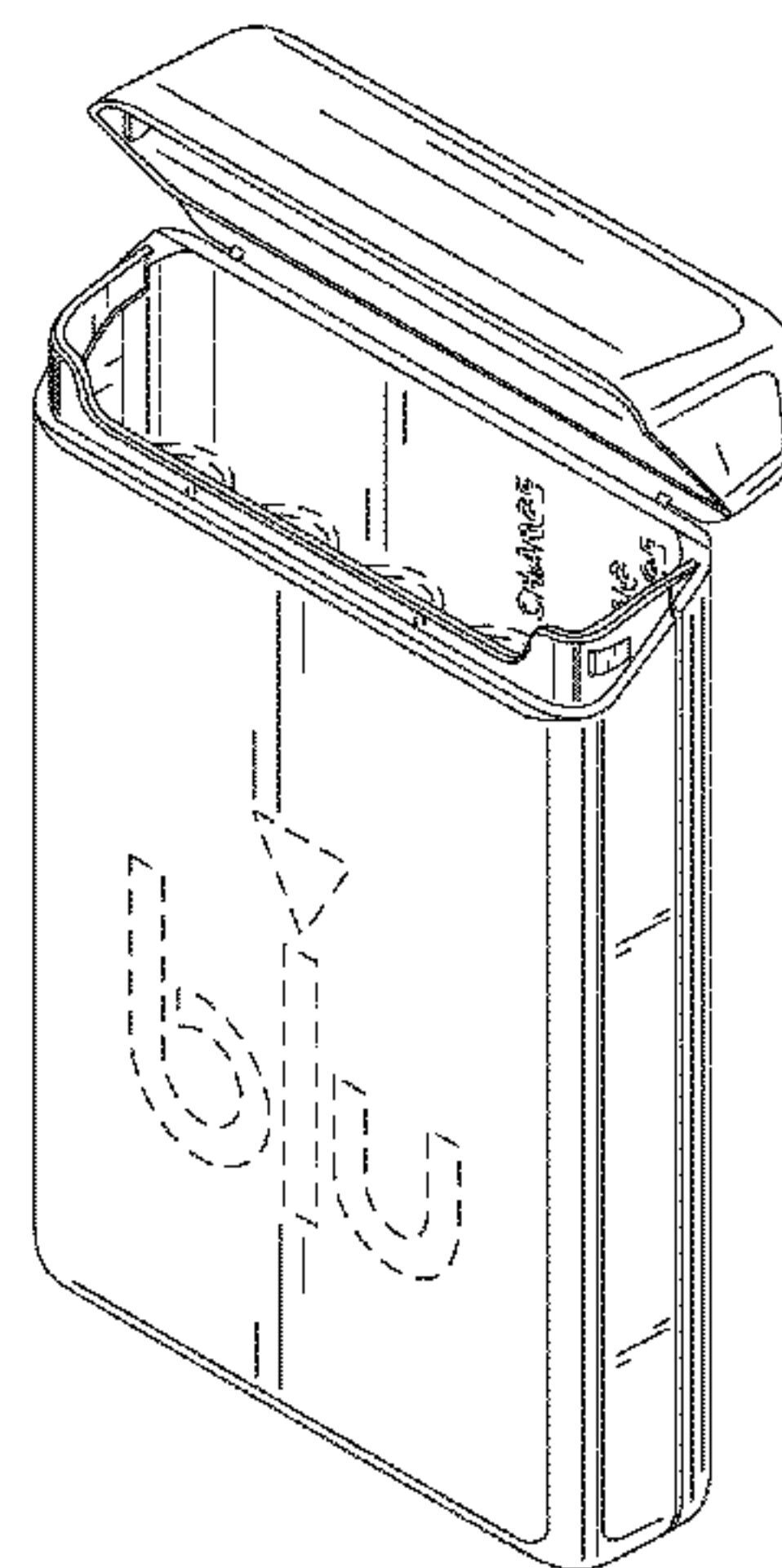
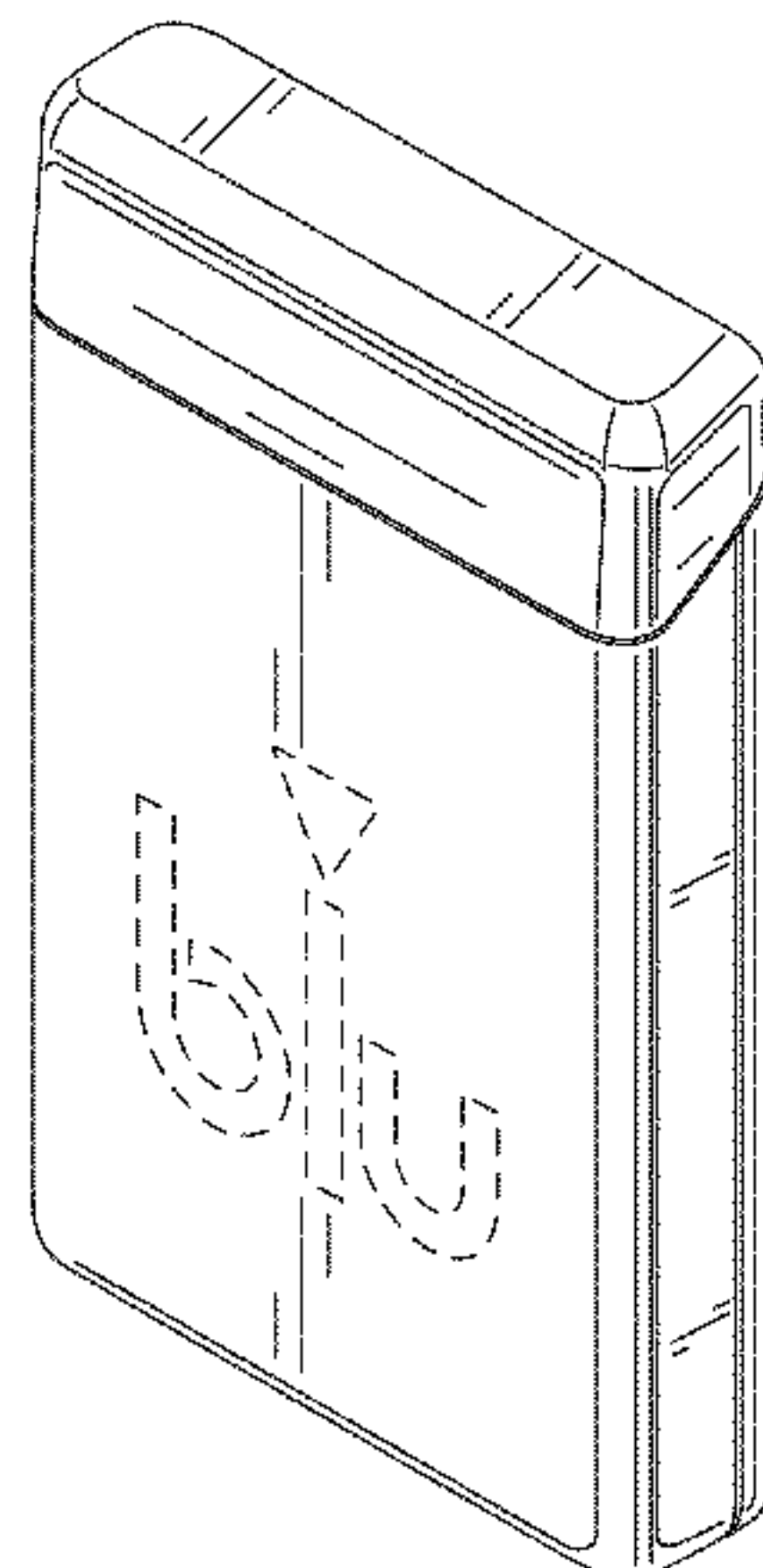
FIG. 8 is a front-right perspective view of the electronic cigarette pack shown in FIG. 1, with a lid portion positioned in a partially open configuration;

FIG. 9 is a front view of the electronic cigarette pack shown in FIG. 1, with the lid portion positioned in the partially open configuration; and,

FIG. 10 is a right side view of the electronic cigarette pack shown in FIG. 1, with the lid portion positioned in the partially open configuration.

The broken lines in the drawings depict environmental subject matter only and form no part of the claimed design.

**1 Claim, 9 Drawing Sheets**



(56)

**References Cited**

U.S. PATENT DOCUMENTS

D613,903 S \* 4/2010 Wu et al. .... D27/189  
D613,904 S \* 4/2010 Wu et al. .... D27/189  
D656,094 S \* 3/2012 Wu ..... D13/108  
D671,677 S \* 11/2012 Wu ..... D27/189  
D671,678 S \* 11/2012 Wu ..... D27/189  
D676,741 S \* 2/2013 van Landsveld et al. .... D9/423  
D677,000 S \* 2/2013 Liu ..... D27/189  
D677,001 S \* 2/2013 Liu ..... D27/189  
D681,268 S \* 4/2013 Wu ..... D27/189

D681,269 S \* 4/2013 Wu ..... D27/189  
D681,445 S \* 5/2013 van Landsveld et al. .... D9/423  
D683,899 S \* 6/2013 Liu ..... D27/189  
2012/0227753 A1\* 9/2012 Newton ..... 131/347

OTHER PUBLICATIONS

Blu Cigs Premium Pack published on Sep. 2, 2011 by Steve K's Vaping World at <<http://www.steevape.com/e-cigarette-news-roundup-being-blu/>>.\*

\* cited by examiner

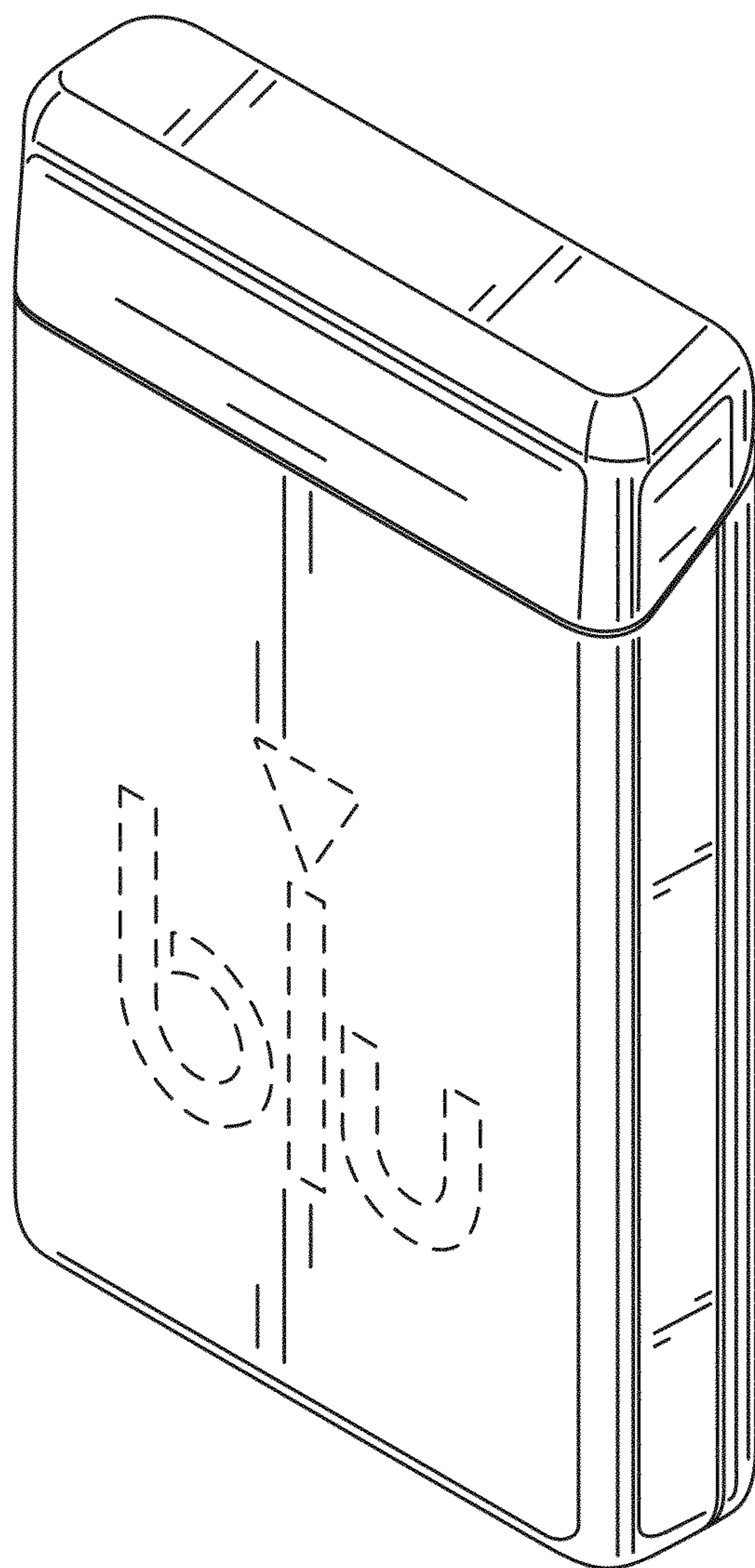


FIG. 1

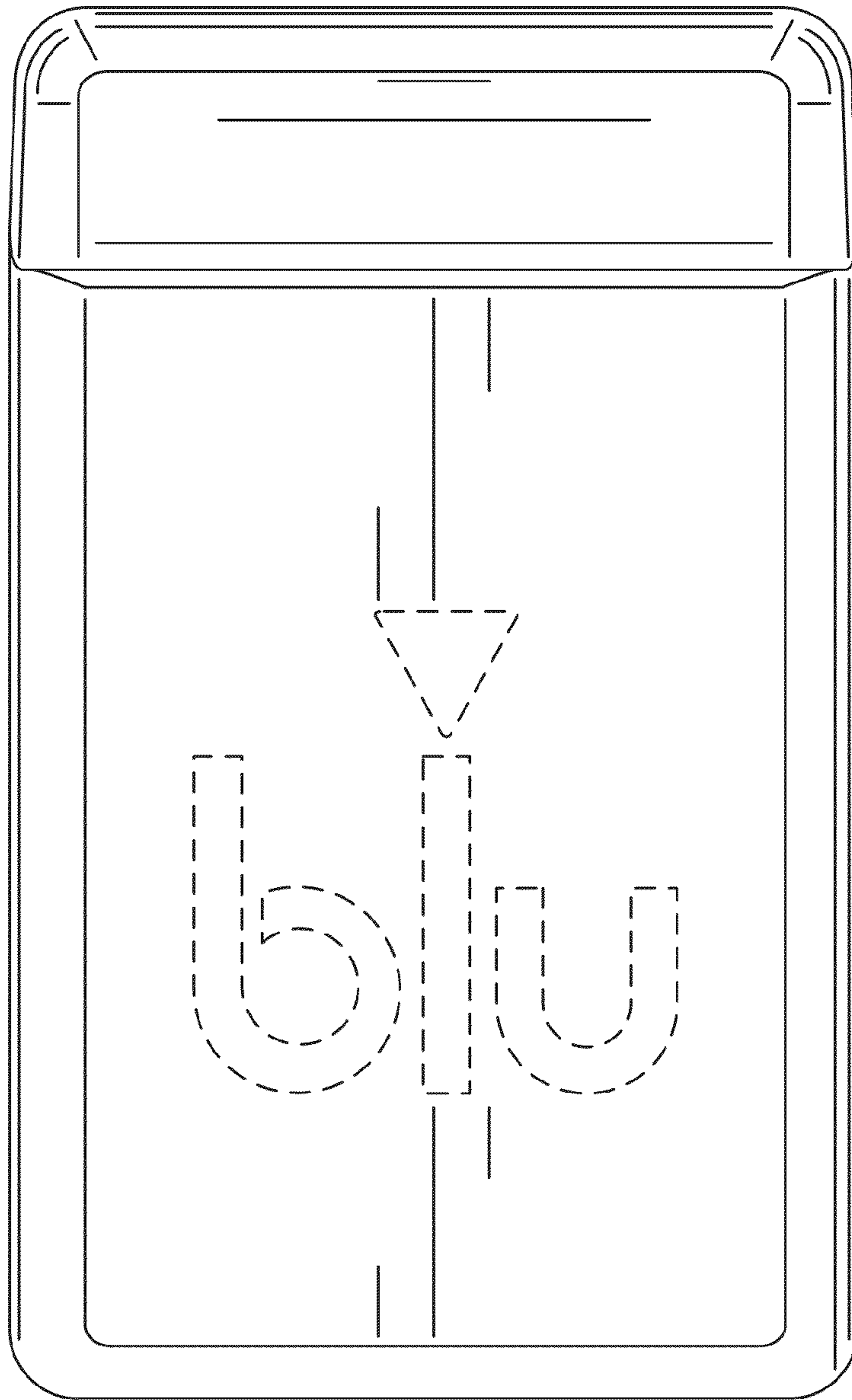


FIG. 2



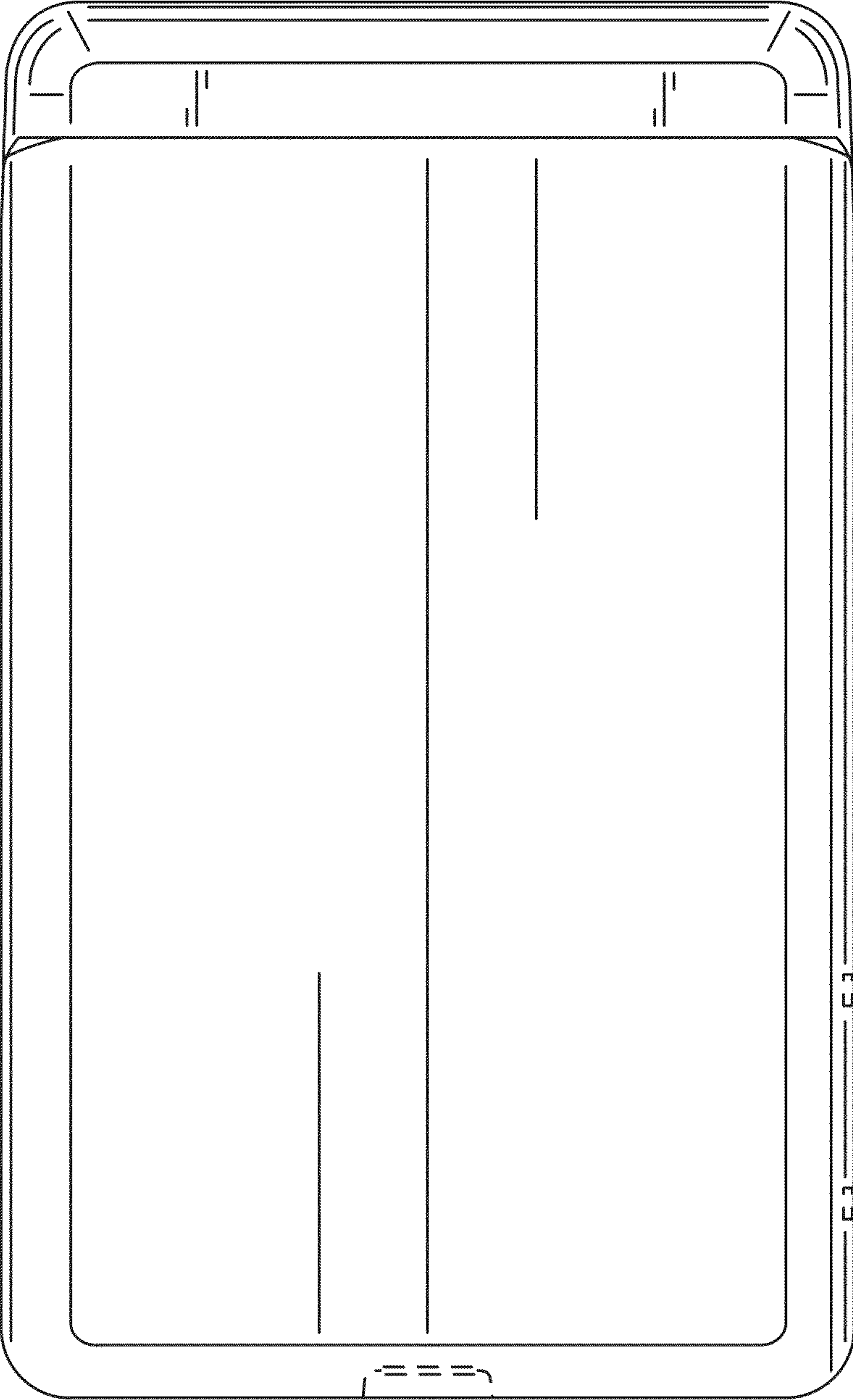


FIG. 3

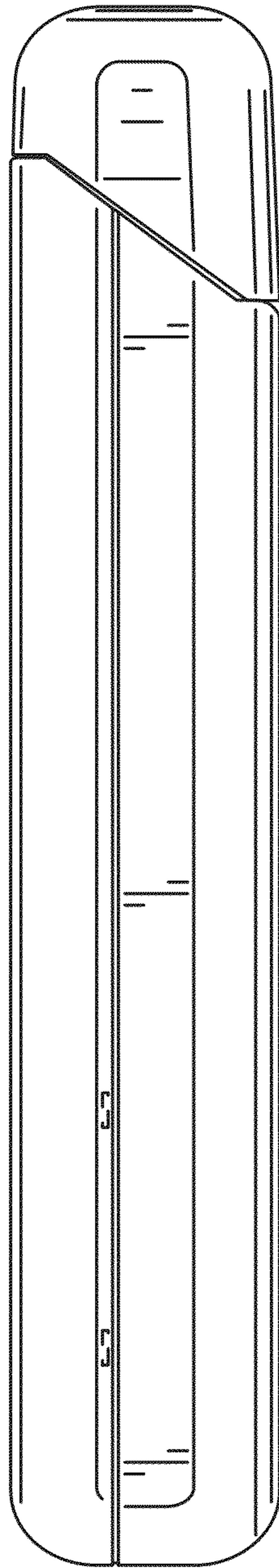


FIG. 4

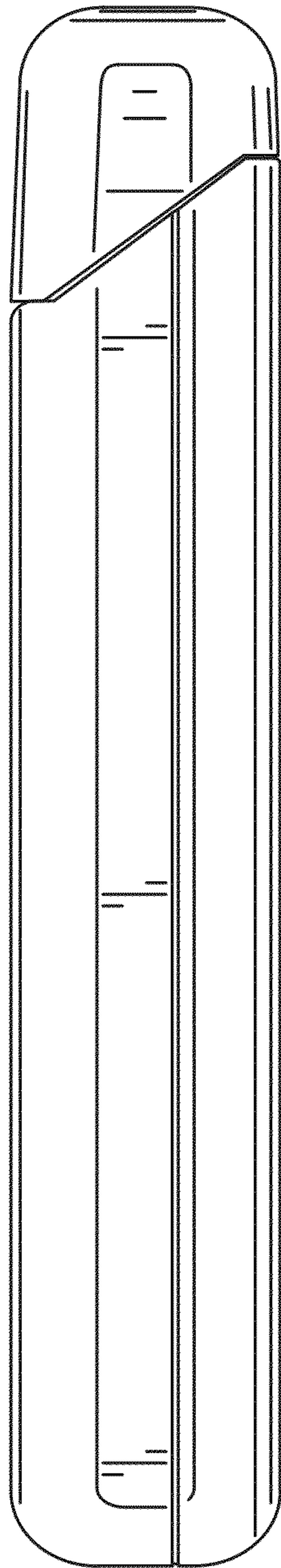


FIG. 5

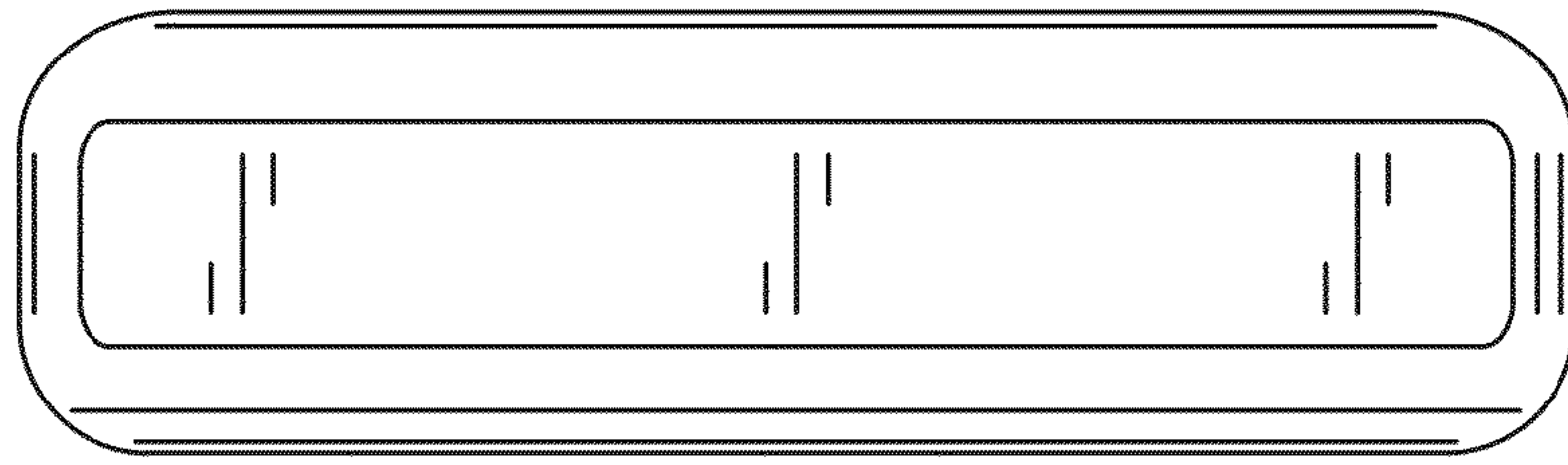


FIG. 6

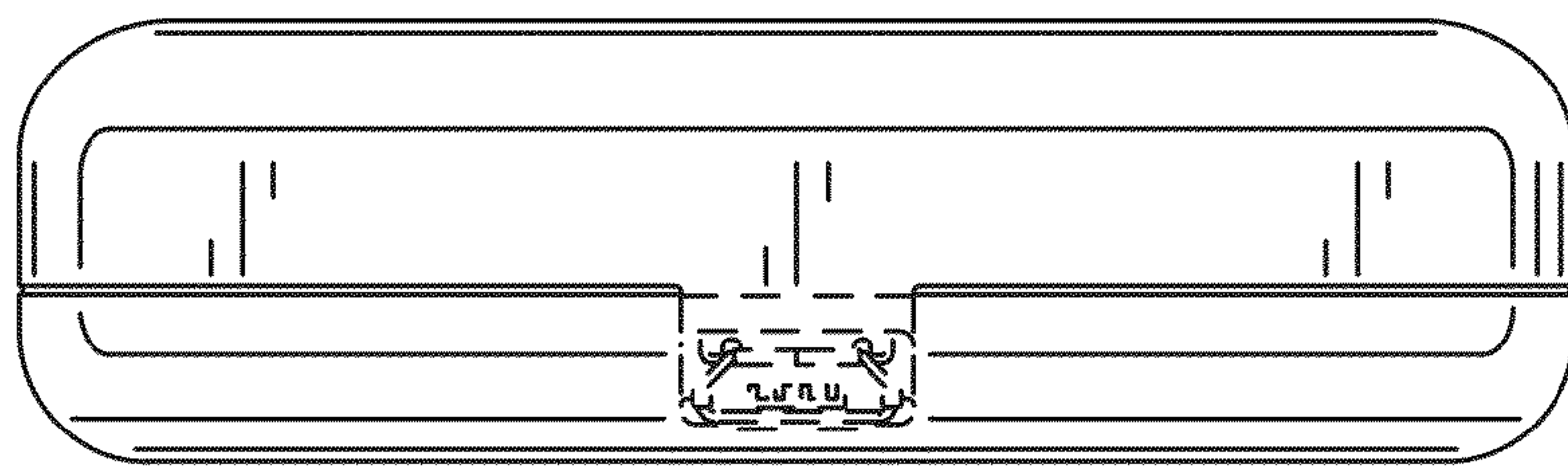


FIG. 7



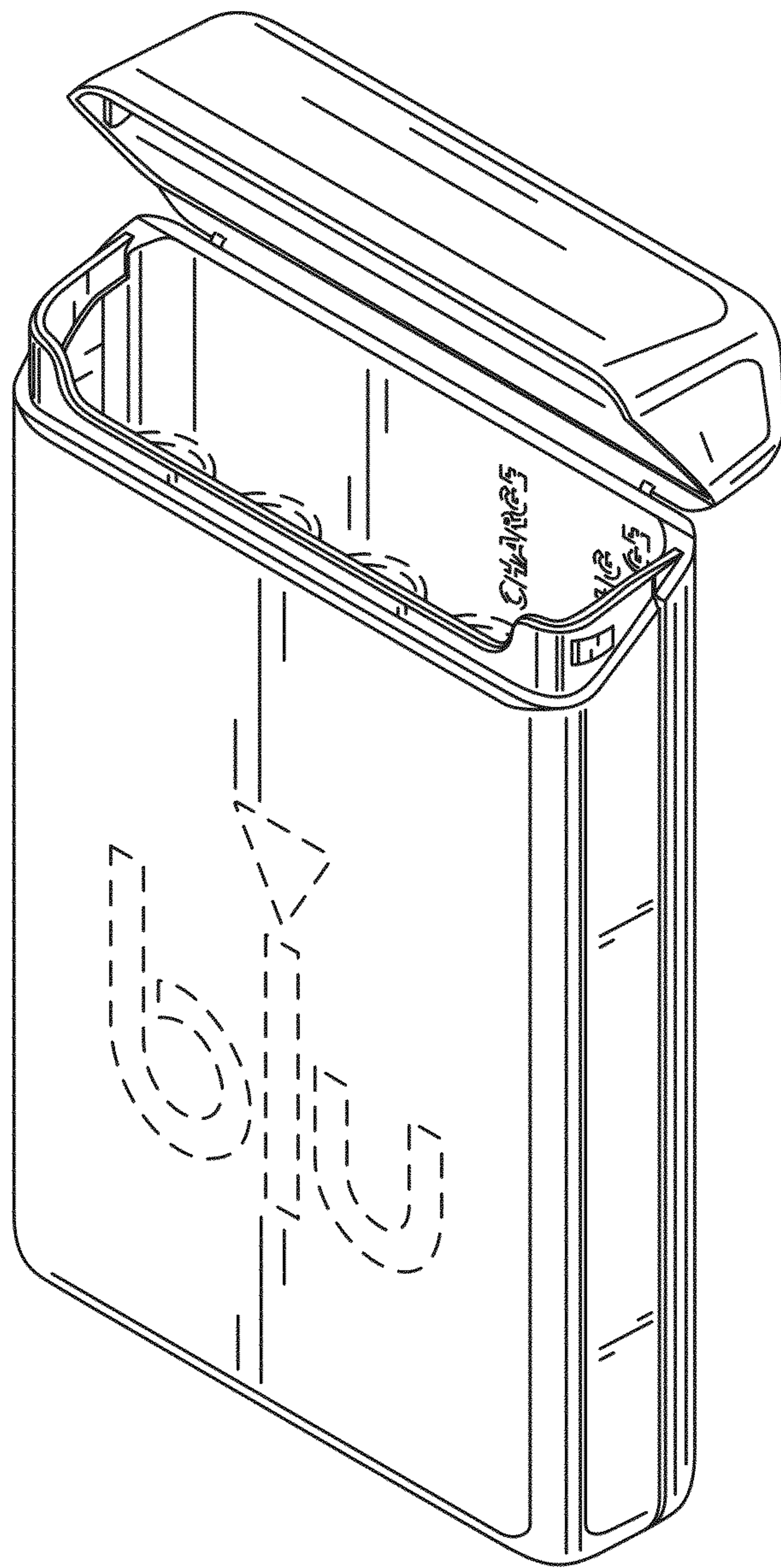


FIG. 8

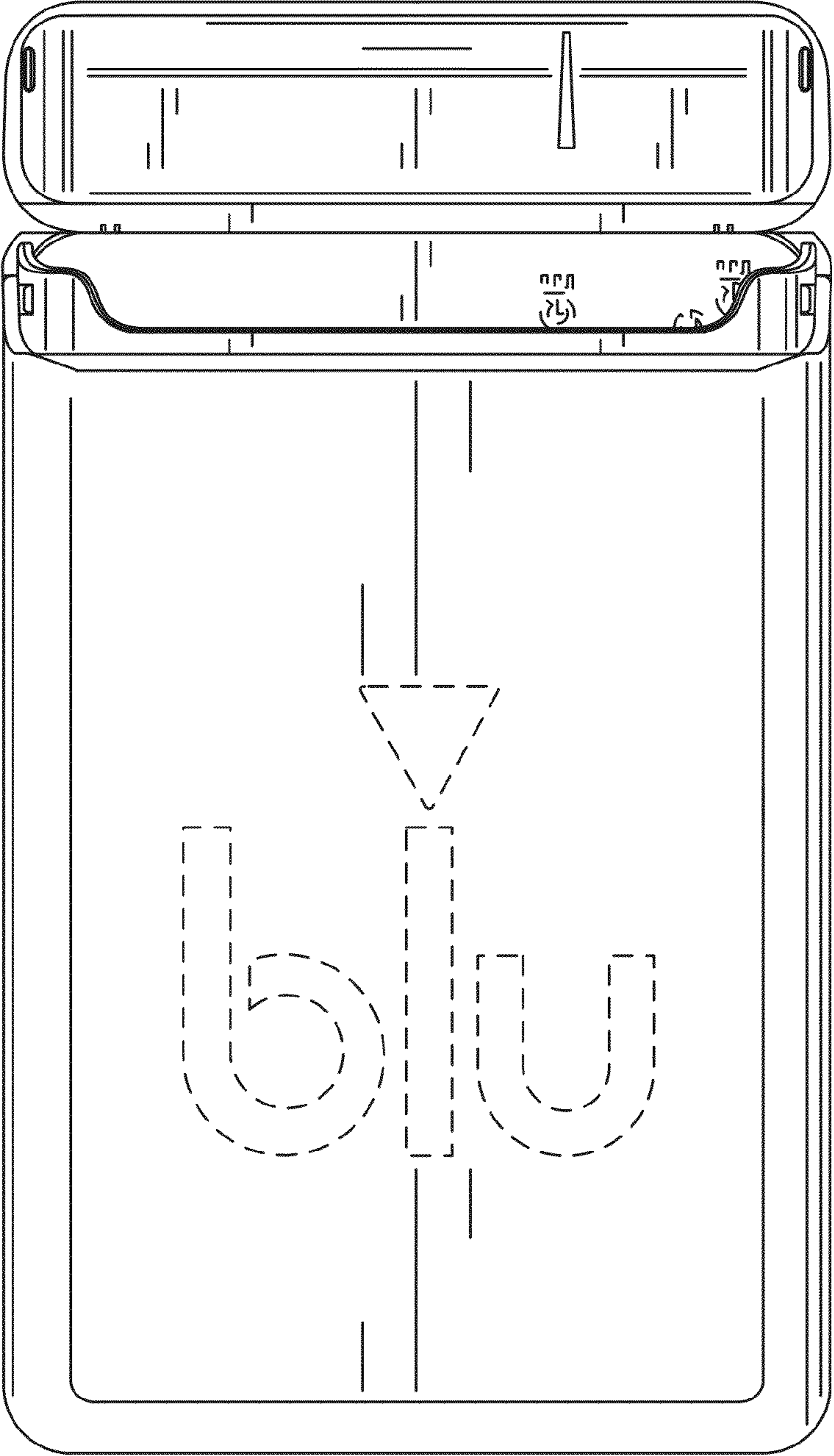


FIG. 9

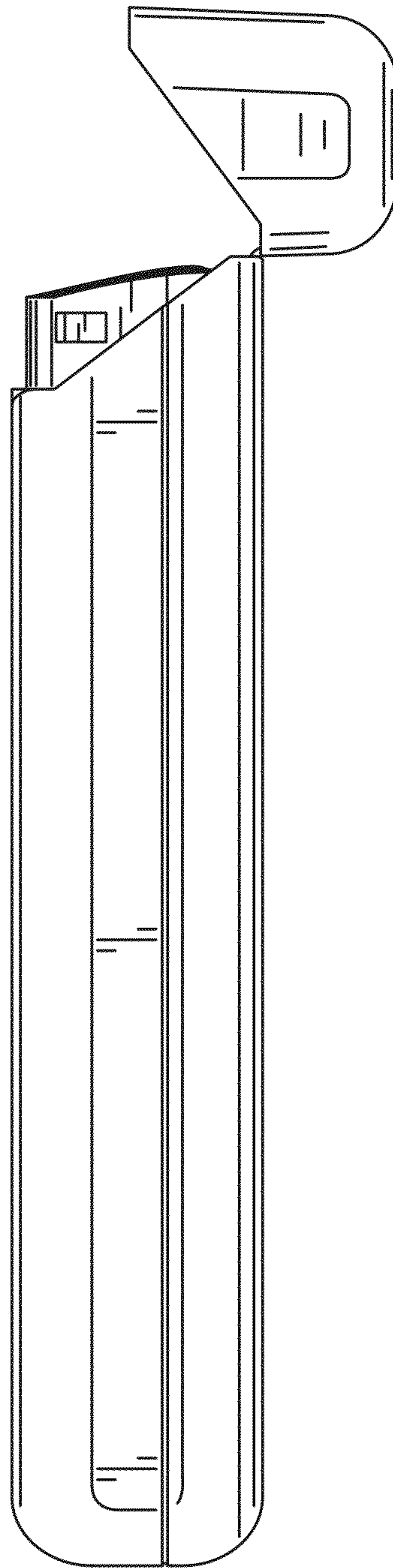


FIG. 10