



US00D700993S

(12) **United States Design Patent**
Schuyler

(10) **Patent No.:** **US D700,993 S**

(45) **Date of Patent:** **** Mar. 11, 2014**

(54) **LIGHT FIXTURE**

(71) Applicant: **Swarovski Lighting, Ltd.**, Plattsburgh,
NY (US)

(72) Inventor: **Andrew Schuyler**, Colchester, VT (US)

(73) Assignee: **Swarovski Lighting, Ltd.**, Plattsburgh,
NY (US)

(**) Term: **14 Years**

(21) Appl. No.: **29/448,159**

(22) Filed: **Mar. 11, 2013**

(51) **LOC (10) Cl.** **26-99**

(52) **U.S. Cl.**

USPC **D26/152**; D26/120

(58) **Field of Classification Search**

USPC D26/67, 68, 85, 87, 118, 128, 120, 152;
362/147, 183, 350, 356, 363, 432

See application file for complete search history.

(56) **References Cited**

U.S. PATENT DOCUMENTS

D3,239 S *	11/1868	Downs	D26/120
D23,083 S *	2/1894	Jacobs	D26/120
D40,241 S *	8/1909	Greenwald	D26/152
D41,821 S *	10/1911	Thayer	D26/129
D43,694 S *	3/1913	Estep	D26/152
D44,671 S *	9/1913	Schoenhardt	D26/152
D63,050 S *	9/1923	Gosling	D26/67
D71,717 S *	12/1926	Crowell	D26/154
D71,720 S *	12/1926	Crowell	D26/152
D73,158 S *	8/1927	Boehringer	D26/152
D73,857 S *	11/1927	McFadden	D26/152
D74,222 S *	1/1928	Holdeman	D26/152
D74,543 S *	2/1928	Buccini	D26/152
D77,586 S *	1/1929	Yokel	D26/155
D80,480 S *	2/1930	Edelman	D26/105
D81,189 S *	5/1930	Hasenstab	D26/152
D81,714 S *	7/1930	Ohm	D26/85
D84,164 S *	5/1931	Roettges	D26/85
D84,251 S *	5/1931	Lowry	D26/85
1,843,781 A *	2/1932	Pearson	362/290
1,864,145 A *	6/1932	Ohm	362/432

D90,429 S *	8/1933	Tidemann	D26/120
D91,510 S *	2/1934	Clarke	D26/67
D150,142 S *	7/1948	Kruger	D26/120
D455,223 S *	4/2002	Crosby	D26/85
D542,965 S *	5/2007	Layne	D26/128
D543,309 S *	5/2007	Morrow	D26/152
D678,589 S *	3/2013	Crosby	D26/85

OTHER PUBLICATIONS

Hexagonal Brass Latern, sold by by Remains Lighting, created by Bradley & Hubbard, printout available online on Mar. 16, 2012 at: http://www.1stdibs.com/furniture_item_print.php?id=618828, 2 pages.

Regent Lantern, manufactured by Boyd Lighting, designed by Roger Thomas, 2 pages.

Bronze Lantern, sold b by Maison Gerard, created by Nerve van der Straeten, printout available online on Feb. 14, 2013 at: http://www.1stdibs.com/furniture_item_print.php?id=515319, 2 pages.

Italian Lantern, sold by Foxglove Antiques, printout available online on Dec. 12, 2011 at: [http://www.1stdibs.com/furniture_item_print.](http://www.1stdibs.com/furniture_item_print.php?id=587998)php?id=587998, 2 pages.

* cited by examiner

Primary Examiner — Clare E Heflin

(74) *Attorney, Agent, or Firm* — Heslin Rothenberg Farley & Mesiti P.C.

(57) **CLAIM**

The ornamental design for a light fixture, as shown and described.

DESCRIPTION

FIG. 1 is a front perspective view of the light fixture of the present invention;

FIG. 2 is a front elevation view thereof;

FIG. 3 is a right side elevation view thereof;

FIG. 4 is a left side elevation view thereof;

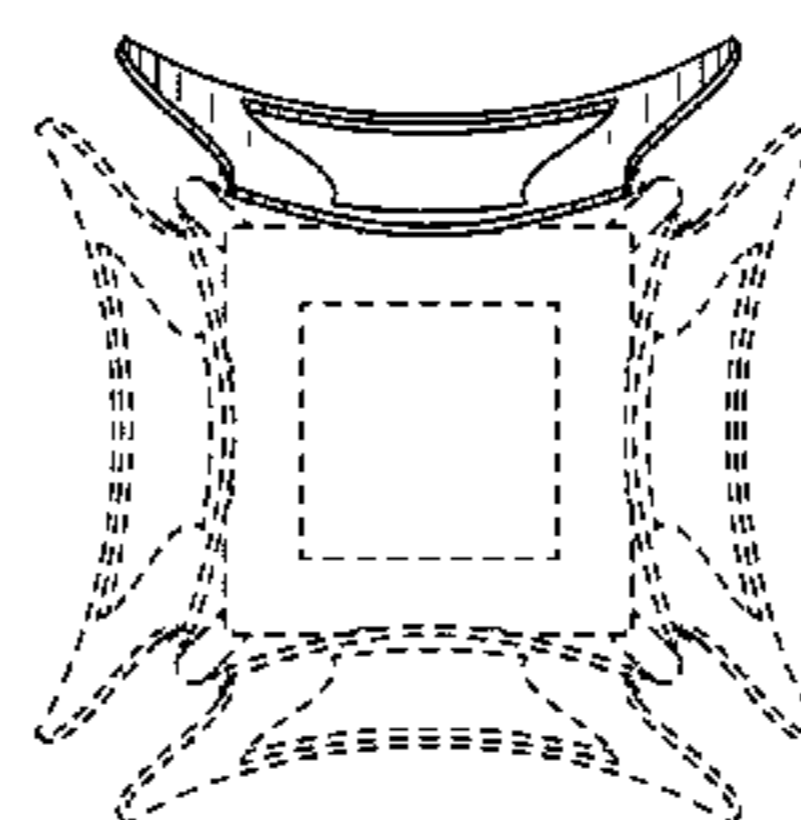
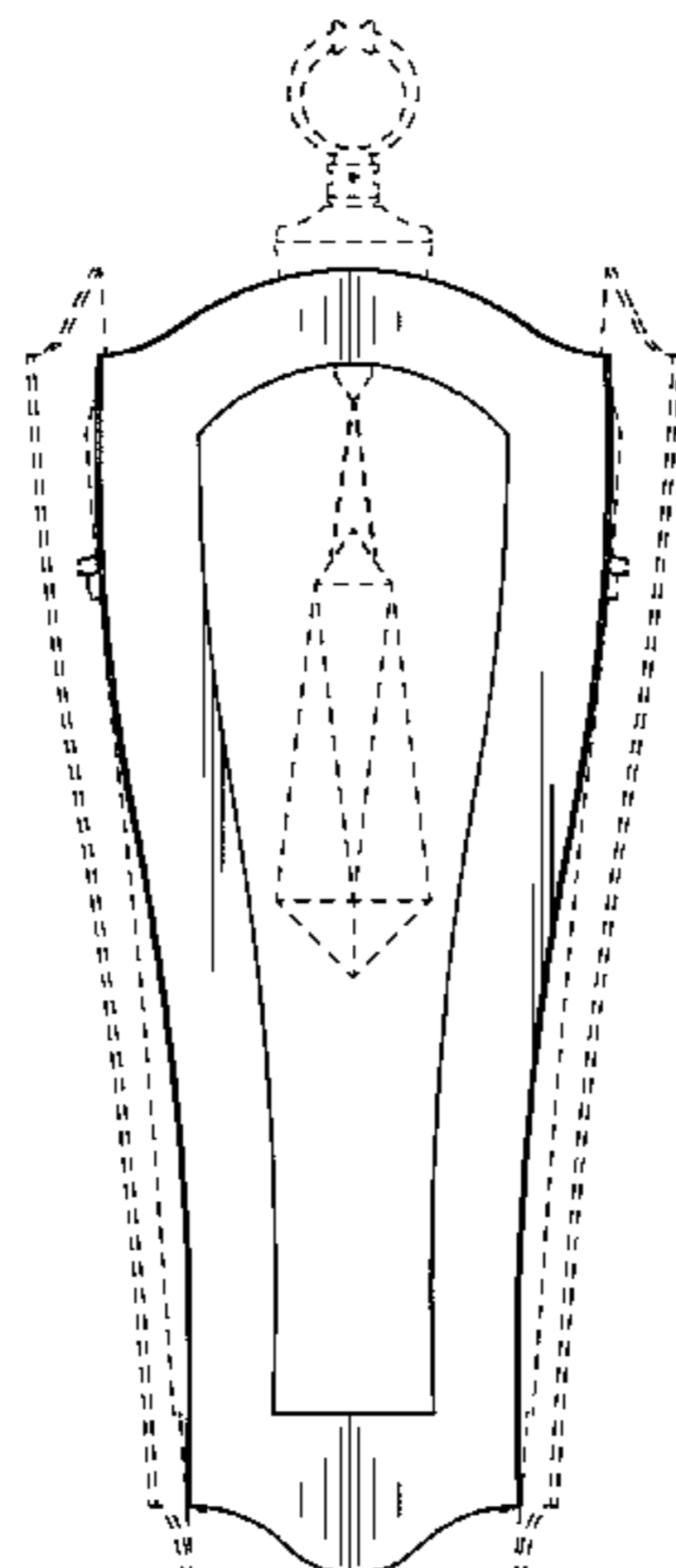
FIG. 5 is a rear elevation view thereof;

FIG. 6 is a top plan view thereof; and,

FIG. 7 is a bottom plan view thereof.

The broken line showing is for purposes of illustrating environmental structure and forms no part of the claimed design.

1 Claim, 7 Drawing Sheets



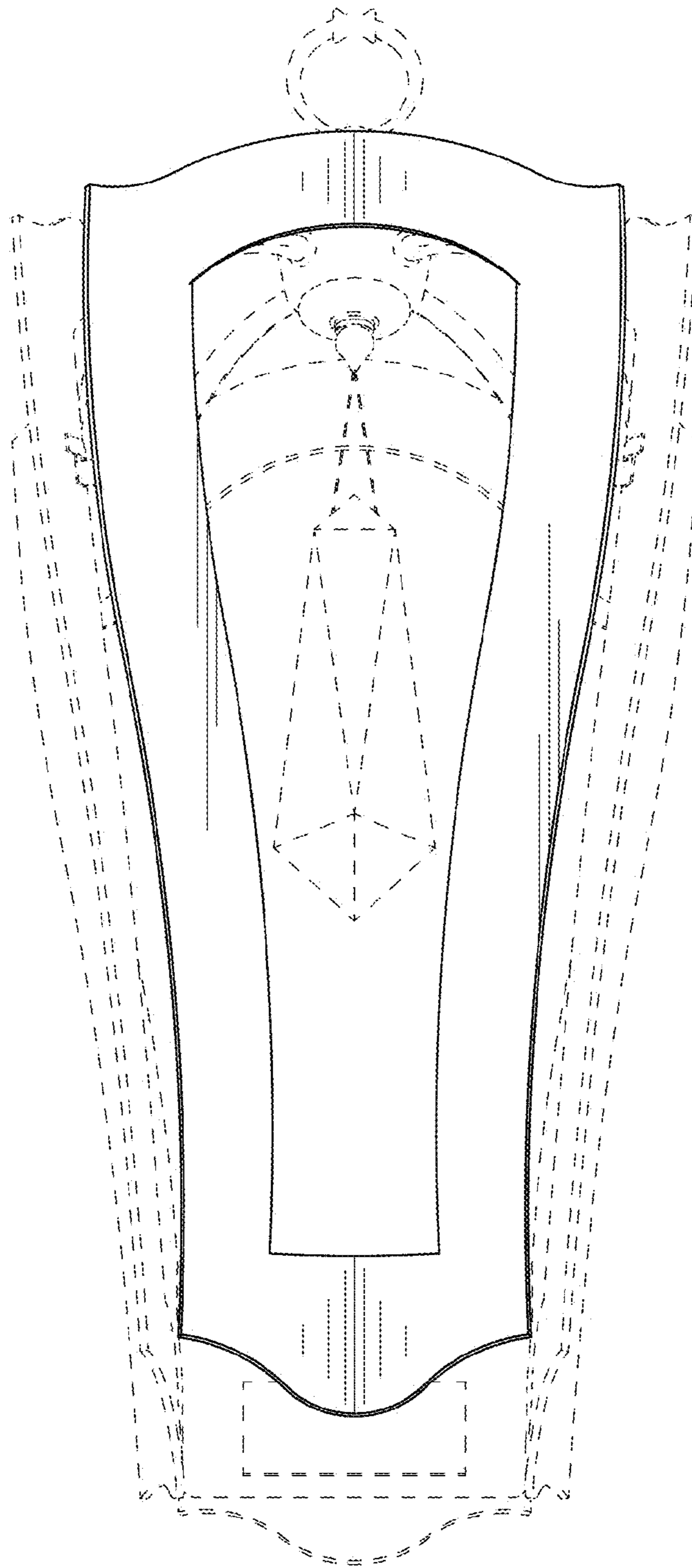


FIG. 1

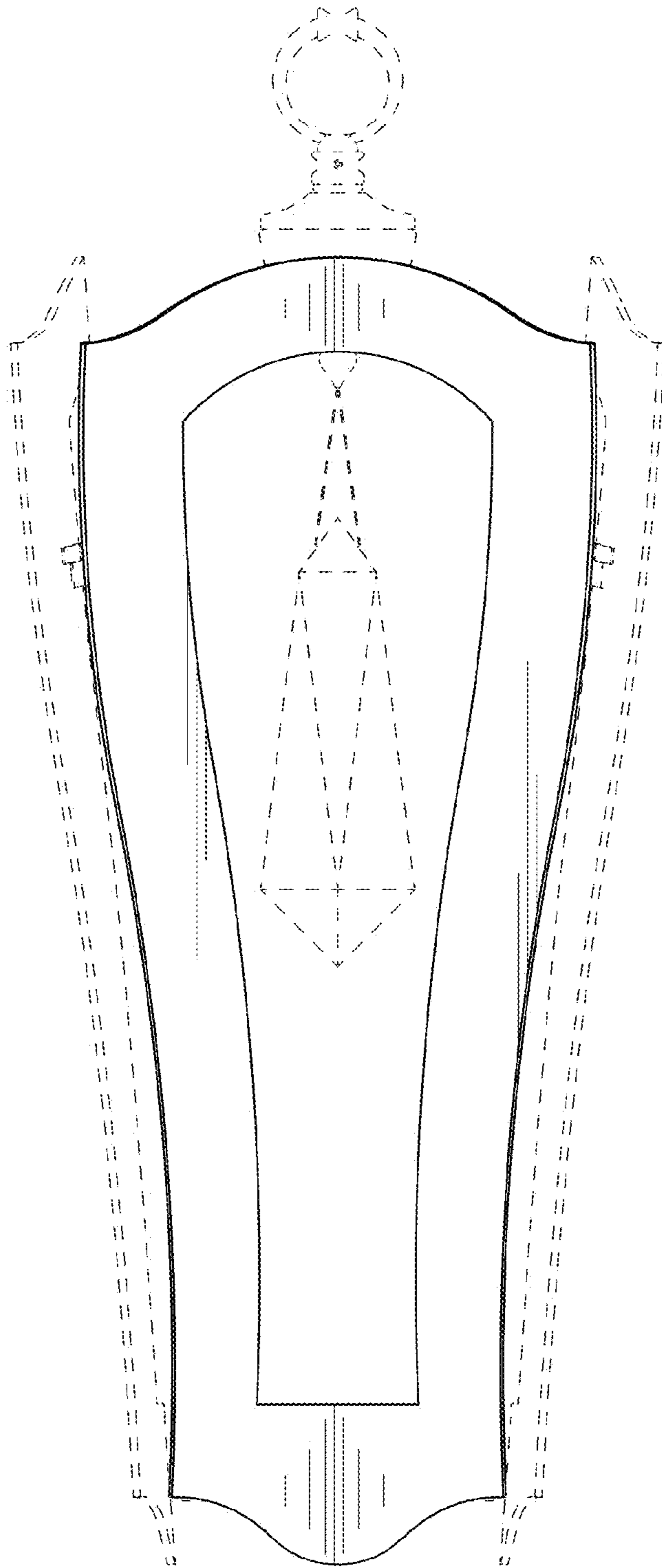


FIG. 2

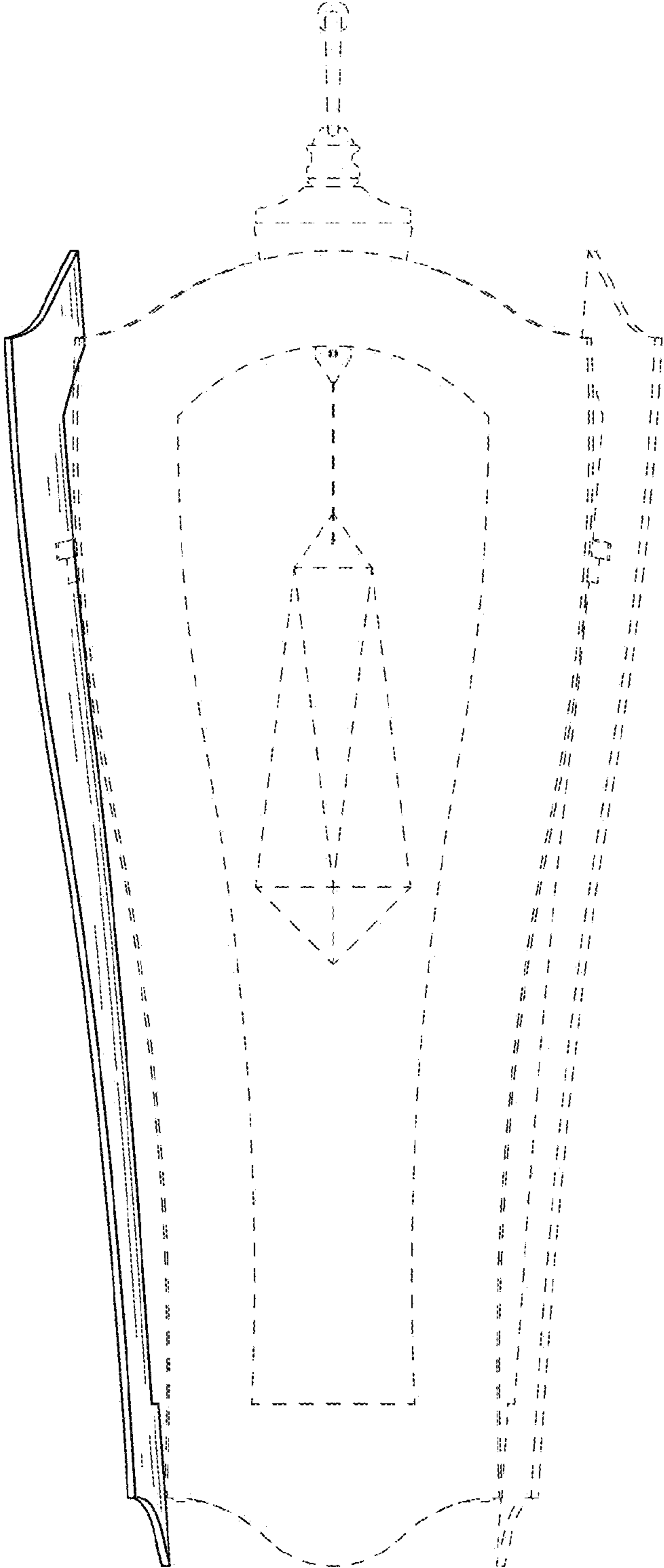


FIG. 3

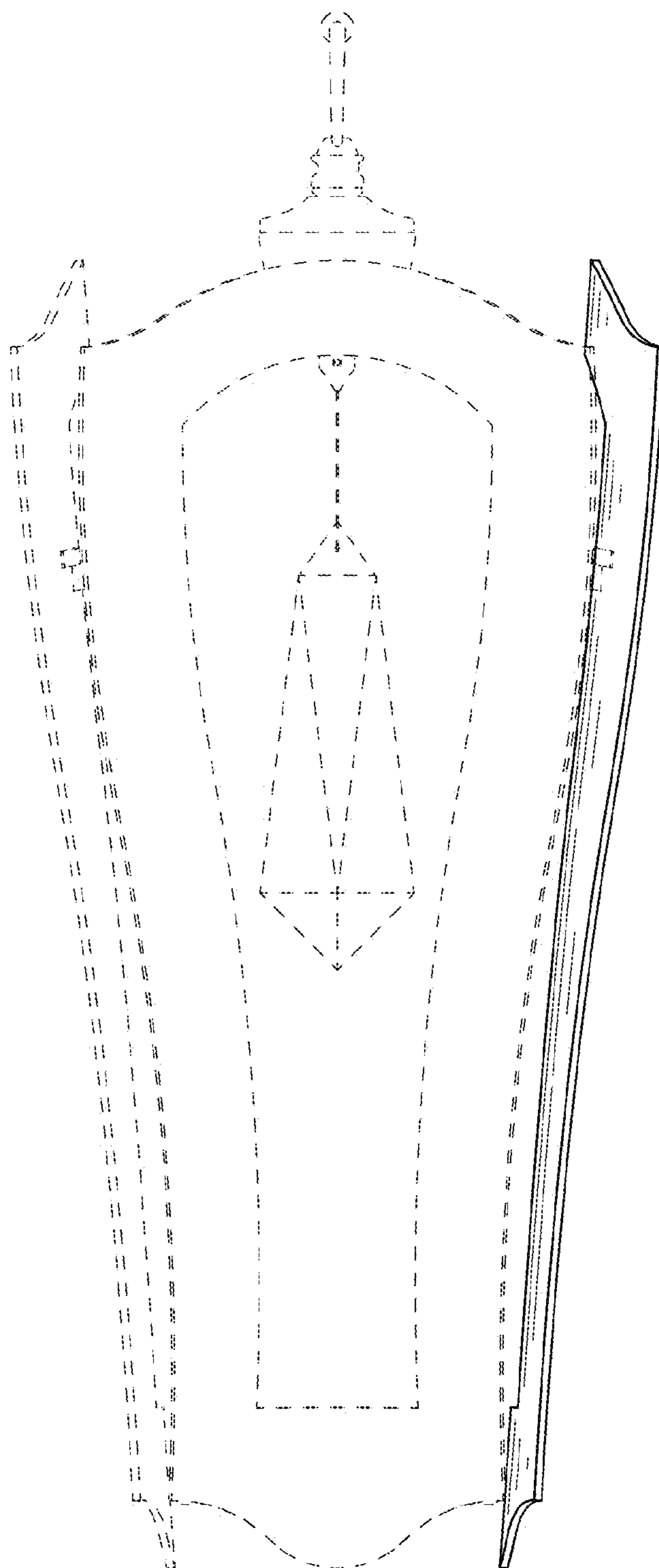


FIG. 4

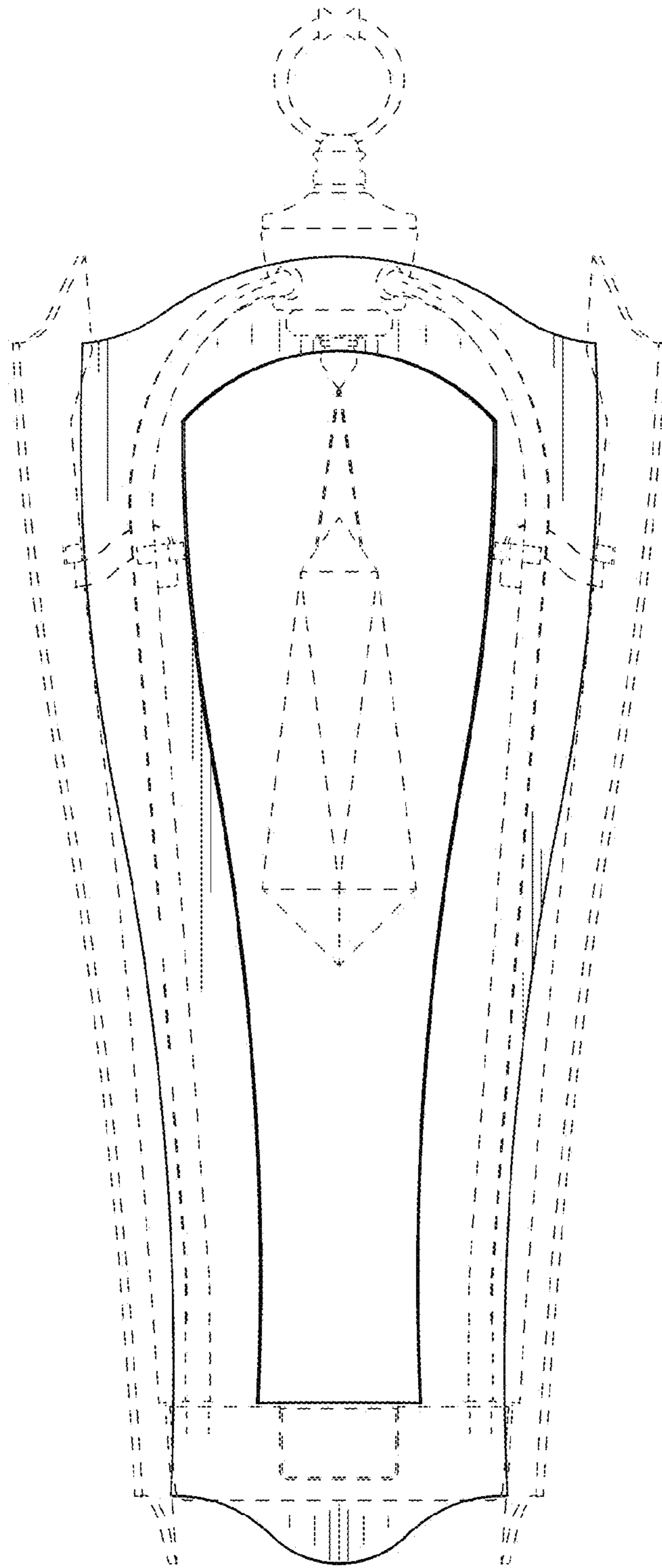


FIG. 5

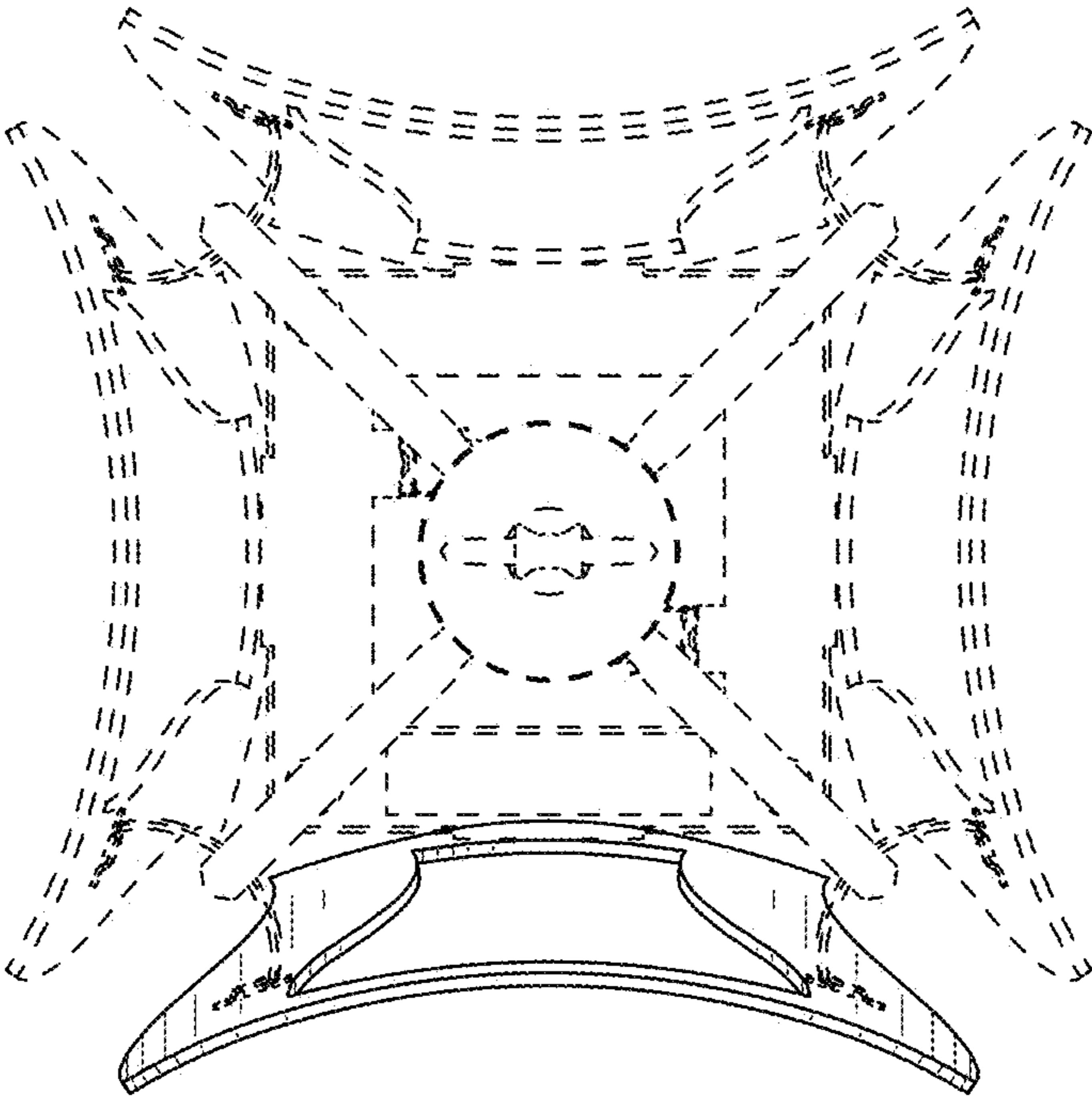


FIG. 6

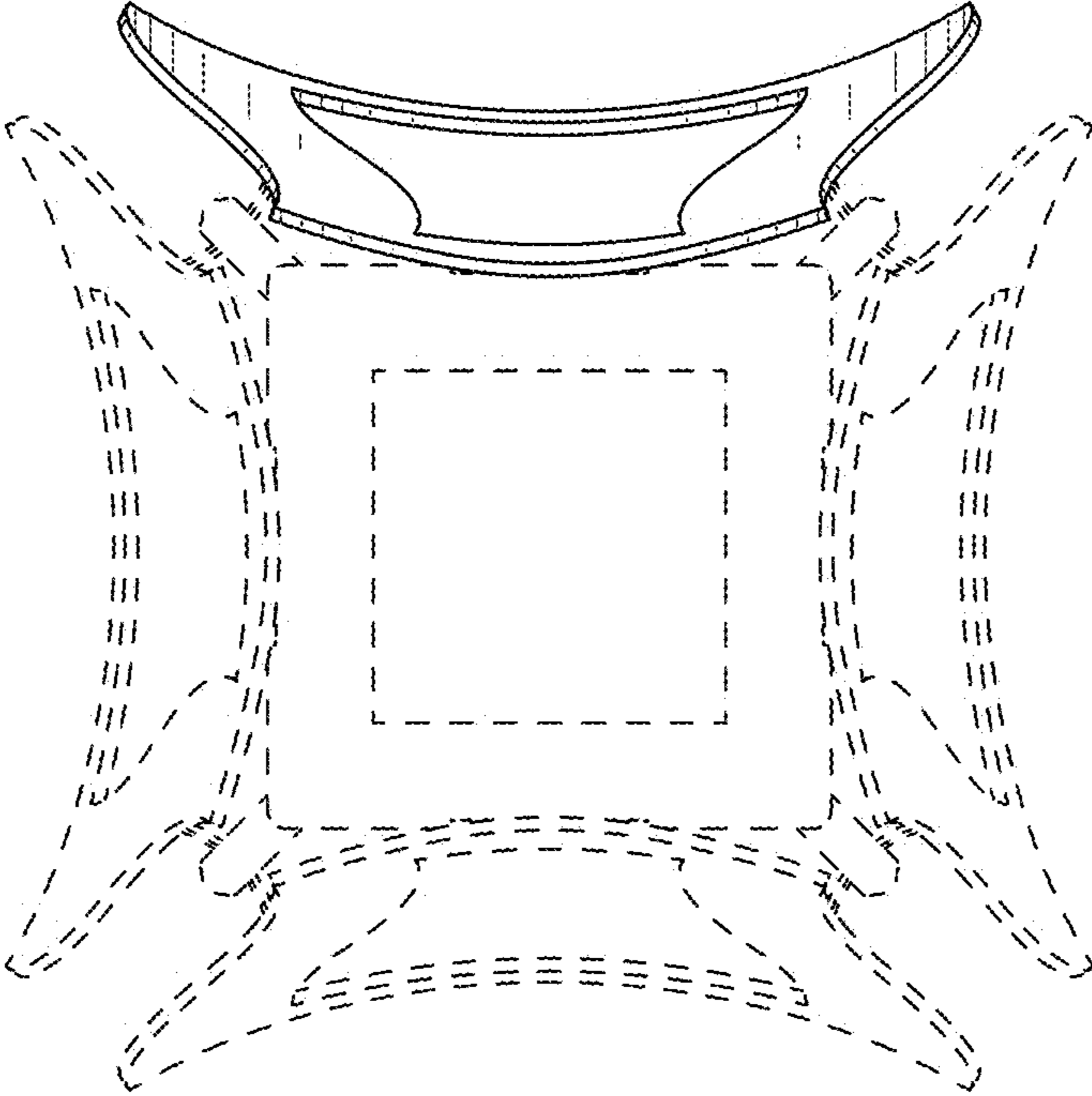


FIG. 7