



US00D700992S

(12) **United States Design Patent**
Hufford

(10) **Patent No.:** **US D700,992 S**
(45) **Date of Patent:** **** Mar. 11, 2014**

(54) **FLASHING LIGHT ASSEMBLY**
(75) Inventor: **Randy Hufford**, Little River, SC (US)
(73) Assignee: **Ingenuity Inventions, LLC**, Austin, TX (US)
(**) Term: **14 Years**
(21) Appl. No.: **29/430,633**

D402,390 S * 12/1998 Smedley et al. D26/87
6,015,221 A * 1/2000 Bodell 362/427
6,162,079 A * 12/2000 Slazakowski 439/244
D440,513 S * 4/2001 Smith D10/114.3
6,217,189 B1 * 4/2001 Nassim 362/147
D441,678 S * 5/2001 Lyons D10/114.1
6,241,362 B1 * 6/2001 Morrison 362/231
D453,521 S * 2/2002 Haruna et al. D14/478
6,406,194 B1 * 6/2002 Neale et al. 385/76
6,474,846 B1 * 11/2002 Kelmelis et al. 362/365

(Continued)

(22) Filed: **Aug. 28, 2012**
(51) **LOC (10) Cl.** **26-99**
(52) **U.S. Cl.**
USPC **D26/142**
(58) **Field of Classification Search**
USPC D26/113, 1, 2, 3, 72, 76, 120, 119, 124,
D26/125, 78, 77, 138, 122, 123, 74, 75, 118,
D26/68, 62, 65, 127, 128, 142, 66, 69, 73,
D26/84, 86, 89, 45, 56, 57, 58, 59, 64, 67,
D26/82, 126, 134, 135, 136, 143, 145, 71,
D26/121, 129, 131, 132, 137, 140, 141, 151,
D26/152, 155, 154; 362/294, 374, 249.02,
362/154, 326; D13/110, 134, 146, 179, 180
See application file for complete search history.

OTHER PUBLICATIONS

LED Outfitters Webpage, <http://www.ledoutfitters.com/>, at least as early as Aug. 26, 2012, 1 page.

(Continued)

Primary Examiner — Kevin Rudzinski
(74) *Attorney, Agent, or Firm* — Law Office of Karen Dana Oster, LLC

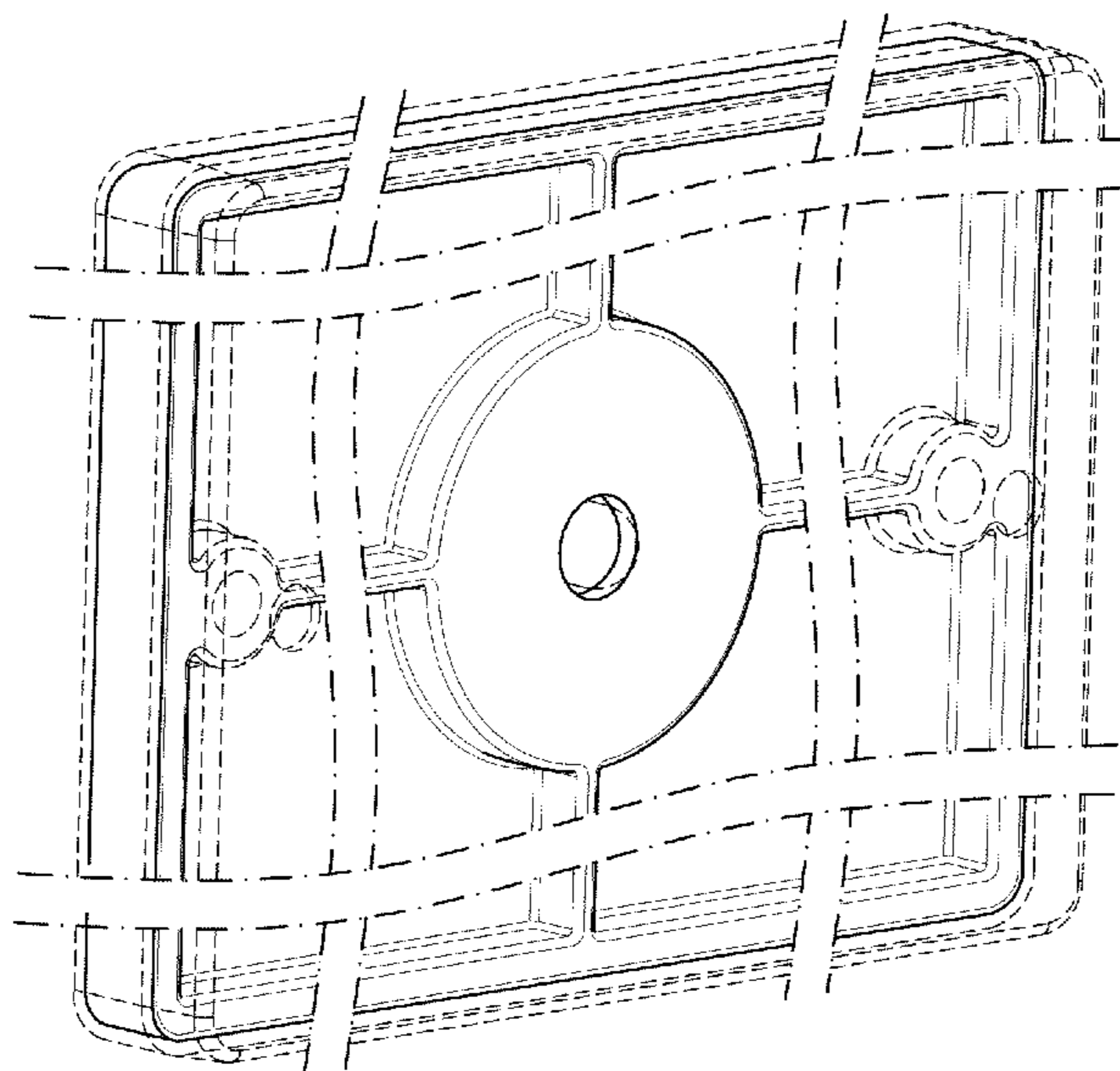
(57) **CLAIM**
I claim the ornamental design for a flashing light assembly, as shown and described.

DESCRIPTION

FIG. 1 is a front perspective view of a flashing light assembly. FIG. 2 is a front plan view of the flashing light assembly. FIG. 3 is a first side view of the flashing light assembly, the second side view being a mirror image thereof; and, FIG. 4 is a top view of the flashing light assembly, the bottom view being a mirror image thereof. The back of the flashing light assemblies form no part of the claimed design. Components (including the lens and screw holes) shown in broken line depictions are included for environmental purposes and form no part of the claimed design.

1 Claim, 2 Drawing Sheets

(56) **References Cited**
U.S. PATENT DOCUMENTS
D91,507 S * 2/1934 Barber D26/50
4,451,871 A * 5/1984 Kirkley et al. 362/186
D276,658 S * 12/1984 Yuen D26/37
4,831,755 A * 5/1989 Rodriguez 40/716
5,122,939 A * 6/1992 Kazdan et al. 362/243
5,150,284 A * 9/1992 Dobert
D366,947 S * 2/1996 Brown D26/37
D376,332 S * 12/1996 Fercano D10/114.1
5,720,543 A * 2/1998 Sheps 362/196
D392,403 S * 3/1998 Benensohn D26/39
D395,253 S * 6/1998 Anwyl-Davies D10/114.1



(56)

References Cited

U.S. PATENT DOCUMENTS

6,679,726 B1 * 1/2004 Tunn et al. 439/565
 D495,087 S * 8/2004 Brown et al. D26/118
 D499,976 S * 12/2004 Neufeglise et al. D10/114.4
 D501,272 S * 1/2005 Opolka D26/138
 7,011,439 B1 * 3/2006 Kane et al. 362/554
 7,025,477 B2 * 4/2006 Blessing et al. 362/364
 7,063,441 B2 * 6/2006 Kramer et al. 362/240
 D536,473 S * 2/2007 Tan D26/93
 D551,107 S * 9/2007 Kuo D10/114.1
 D564,928 S * 3/2008 Belitz et al. D10/114.4
 D571,247 S * 6/2008 Barnett D10/114.1
 D582,064 S * 12/2008 Mukai D26/24
 D591,893 S * 5/2009 Waldmann D26/74
 D593,248 S * 5/2009 Quintin D26/138
 D616,137 S * 5/2010 Bucher et al. D26/72
 D641,520 S * 7/2011 Grajcar D26/152

D646,826 S * 10/2011 Smith D26/74
 D648,060 S * 11/2011 Yamamoto et al. D26/120
 D663,227 S * 7/2012 Andrew et al. D10/114.4
 D663,228 S * 7/2012 Reinbach
 D663,881 S * 7/2012 Janssen D26/74
 D673,068 S * 12/2012 Beghelli D10/114.4
 D681,867 S * 5/2013 Wegger et al. D26/124
 2010/0102947 A1 4/2010 Chen
 2011/0280023 A1* 11/2011 Lee et al. 362/338

OTHER PUBLICATIONS

Bicygnals Target LED Front and Rear Multi-Flashing Bicycle Lights, <http://www.meijer.com>, at least as early as Aug. 26, 2012, 1 page.
 Infinity Tunnel LED Coaster—SKU No: 11051, http://www.flashingblinkylights.com/product_info.php?products_id=2131, at least as early as Aug. 26, 2012, 2 page 1.

* cited by examiner

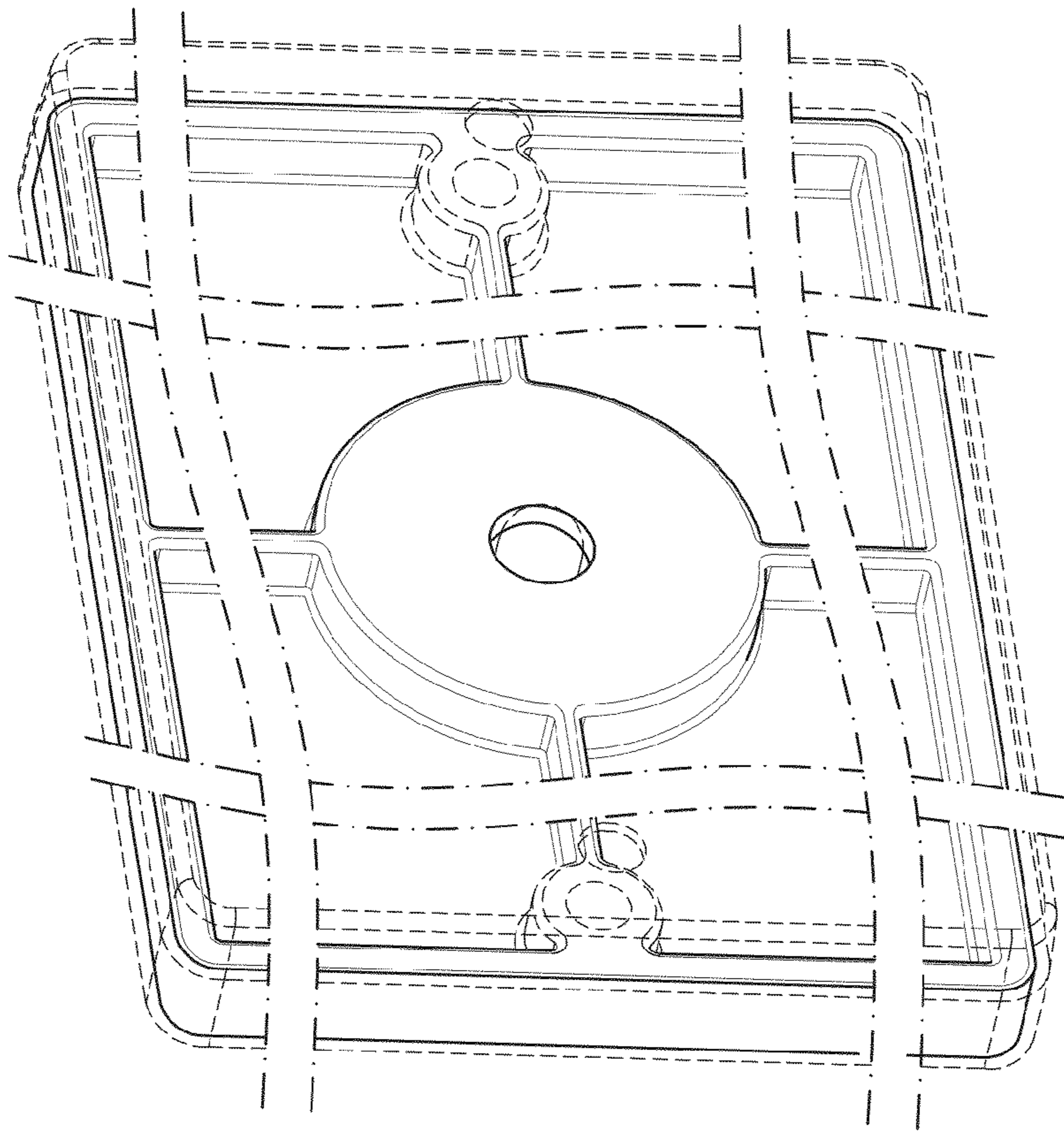


FIG. 1

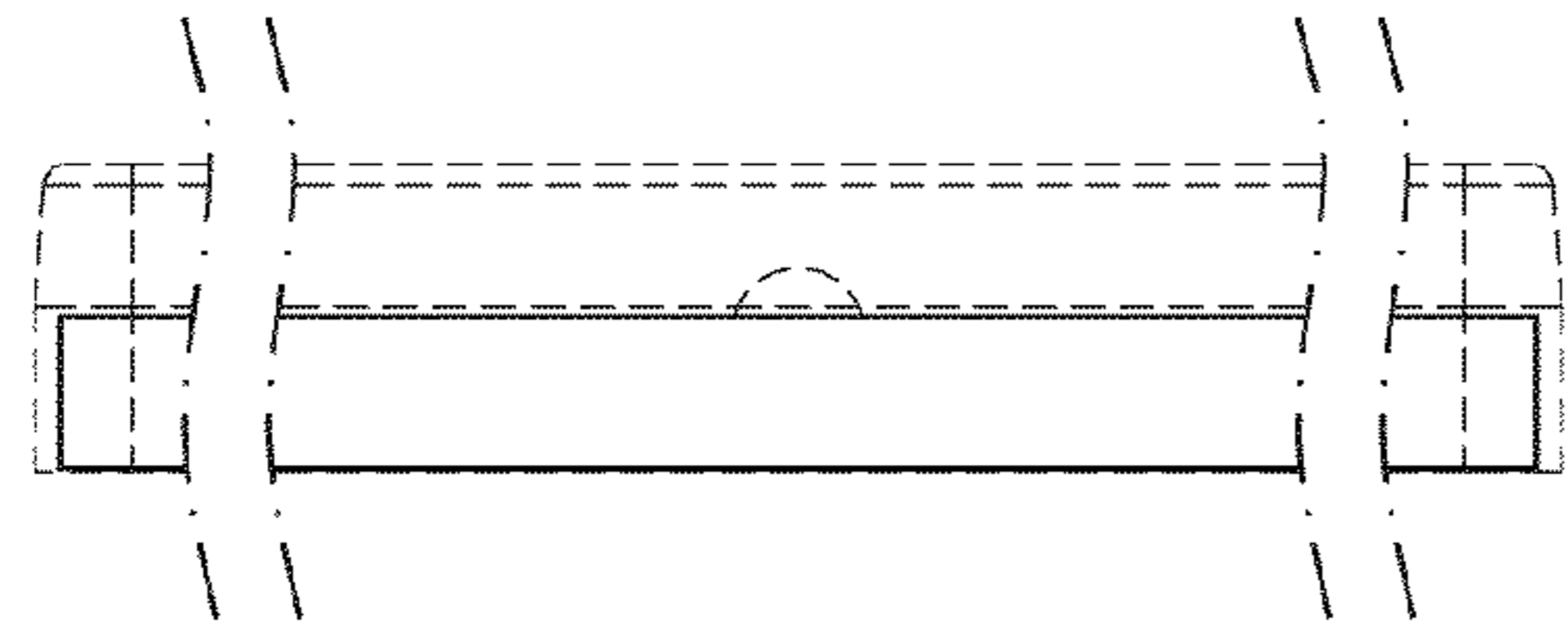


FIG. 3

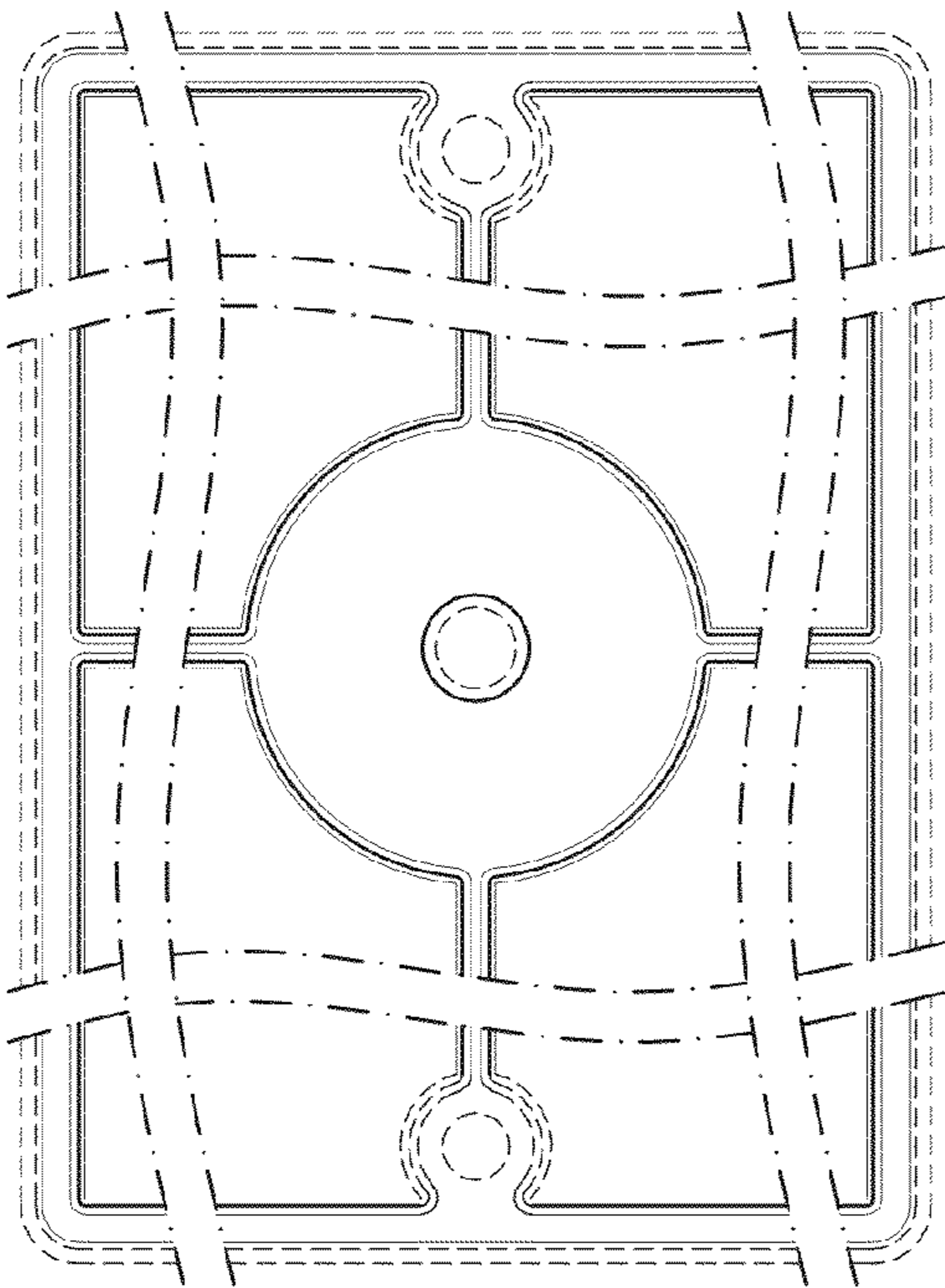


FIG. 2

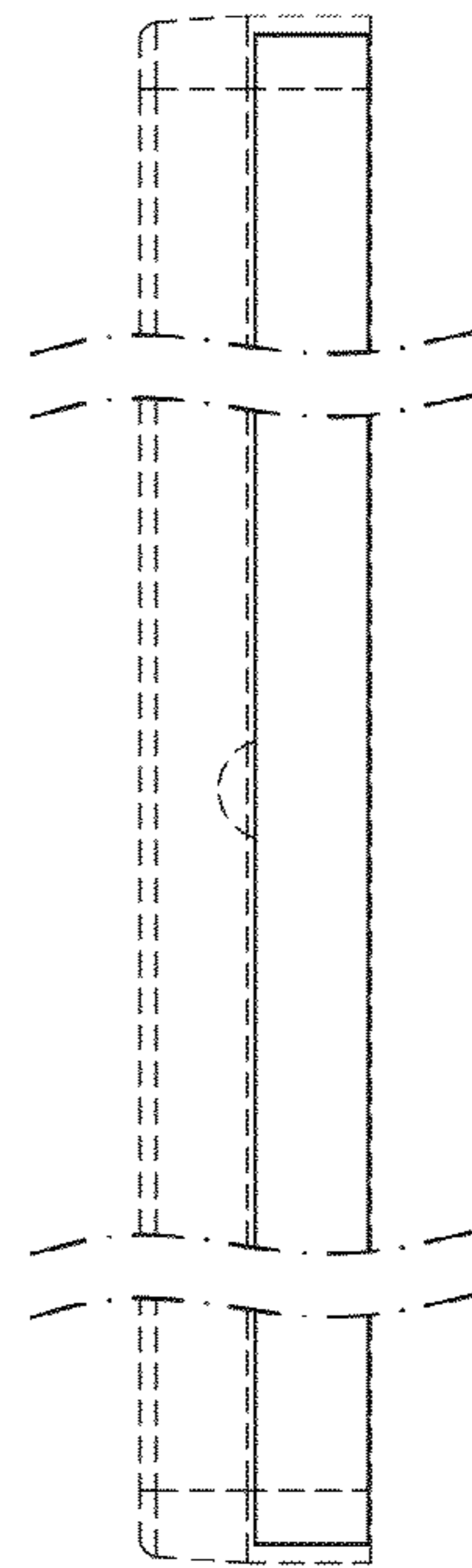


FIG. 4