

US00D700991S

(12) **United States Design Patent**  
**Johnson et al.**

(10) **Patent No.:** **US D700,991 S**  
(45) **Date of Patent:** **\*\* Mar. 11, 2014**

(54) **LED LIGHTING FIXTURE**

FOREIGN PATENT DOCUMENTS

(71) Applicant: **EGS Electrical Group, LLC**,  
Rosemont, IL (US)

CN ZL201330118134 10/2013

(72) Inventors: **James G. Johnson**, Hoffman Estates, IL  
(US); **Sudhir Managuli**, Pune (IN)

OTHER PUBLICATIONS

(73) Assignee: **EGS Electrical Group, LLC**,  
Rosemont, IL (US)

Appleton, Mercmaster LED Luminaires, cCSAus Certification.  
Enclosed and Gasketed Fixtures, pp. 1028-1036, Mar. 2012.  
Appleton, Mercmaster LED brochure, 6 pages, Example of pre-2012  
prior art LED.  
Cooper Crouse-Hinds, Champ VMV LED Series Luminaires bro-  
chure, pp. 1-8, Example of pre-2012 prior art LED.  
Dialight, SafeSite Series LED High Bay Luminaire, ATEX/IECEX  
version, 2 pages, Example of pre-2012 prior art LED.

(\*\*) Term: **14 Years**

(21) Appl. No.: **29/434,886**

\* cited by examiner

(22) Filed: **Oct. 17, 2012**

*Primary Examiner* — Zenia Bennett

(51) **LOC (10) Cl.** ..... **26-99**

(74) *Attorney, Agent, or Firm* — McDonnell Boehnen  
Hulbert & Berghoff LLP

(52) **U.S. Cl.**

USPC ..... **D26/138**

(58) **Field of Classification Search**

USPC ..... D26/2, 3, 24, 60–63, 65, 68, 70–72, 74,  
D26/76, 80–87, 93, 113, 118, 120–122, 124,  
D26/128, 130, 134, 137, 138, 141, 142, 145,  
D26/152–155; D13/133.134, 136, 146, 178,  
D13/180; 362/92, 102, 147, 327, 364, 367,  
362/368, 405, 407, 413, 545; 165/80.3,  
165/104.21, 104.33; 248/303; D8/354, 367,  
D8/370; D25/38, 126; D6/524, 649

See application file for complete search history.

(57) **CLAIM**

The ornamental design for an LED lighting fixture, as shown  
and described.

**DESCRIPTION**

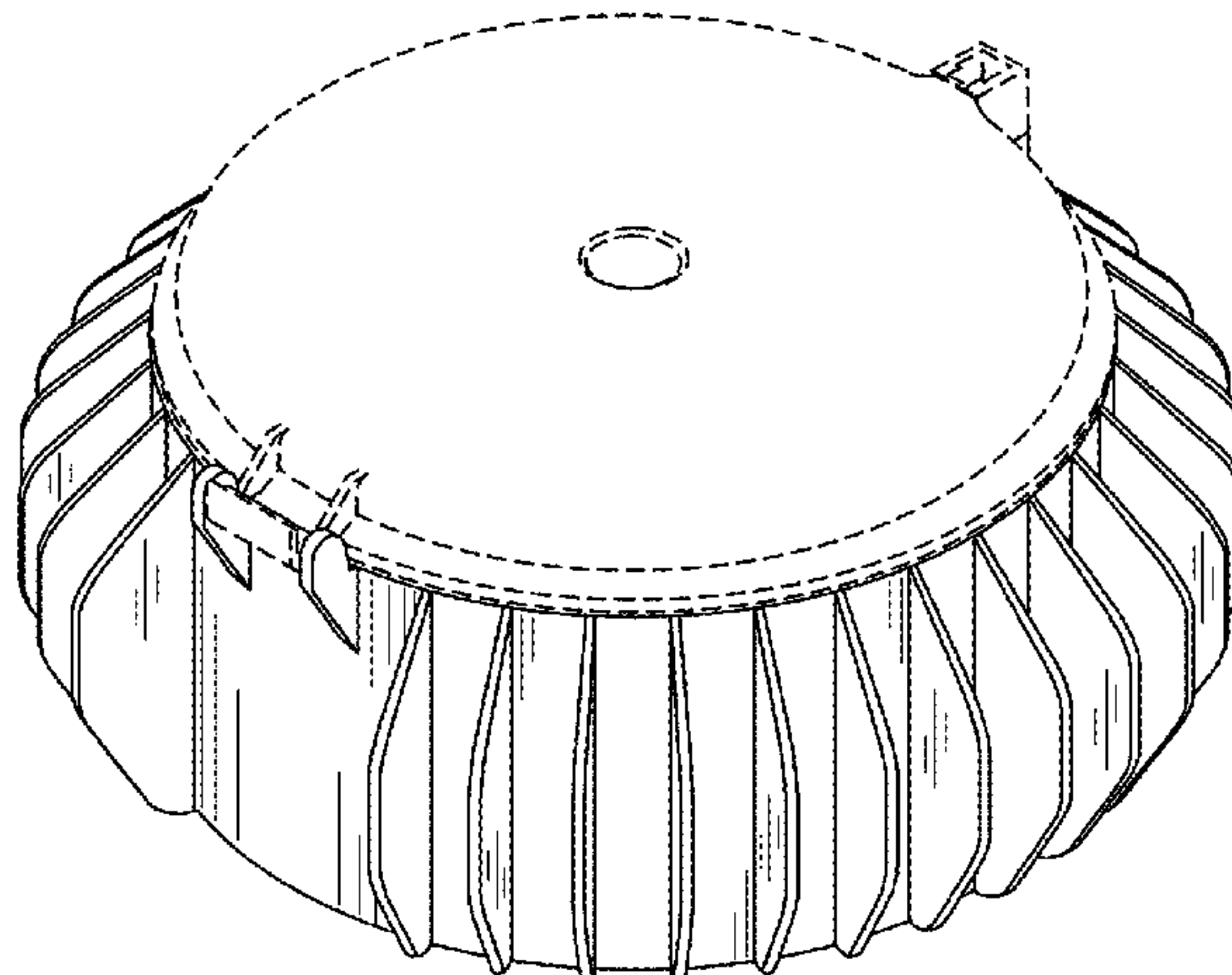
FIG. 1 is a perspective top view of an LED lighting fixture  
having the inventive design;  
FIG. 2 is a perspective bottom view of the LED lighting  
fixture shown in FIG. 1;  
FIG. 3 is a left side view of the LED lighting fixture shown in  
FIG. 1;  
FIG. 4 is a right side view of the LED lighting fixture shown  
in FIG. 1;  
FIG. 5 is a front view of the LED lighting fixture shown in  
FIG. 1;  
FIG. 6 is a back view of the LED lighting fixture shown in  
FIG. 1;  
FIG. 7 is a top view of the LED lighting fixture shown in FIG.  
1; and,  
FIG. 8 is a bottom view of the LED lighting fixture shown in  
FIG. 1.

(56) **References Cited**

U.S. PATENT DOCUMENTS

D353,475	S	*	12/1994	Shemitz	.....	D26/138
D516,229	S	*	2/2006	Tang	.....	D26/2
D595,452	S	*	6/2009	Khang et al.	.....	D26/138
7,784,973	B2	*	8/2010	Zhang et al.	.....	362/294
D627,507	S	*	11/2010	Lai et al.	.....	D26/138
D639,499	S	*	6/2011	Choi et al.	.....	D26/138
7,988,336	B1	*	8/2011	Harbers et al.	.....	362/294
D651,738	S	*	1/2012	Guercio et al.	.....	D26/138
D655,860	S	*	3/2012	Choi et al.	.....	D26/138
2005/0174780	A1	*	8/2005	Park	.....	362/294
2010/0026158	A1	*	2/2010	Wu	.....	313/46

**1 Claim, 5 Drawing Sheets**



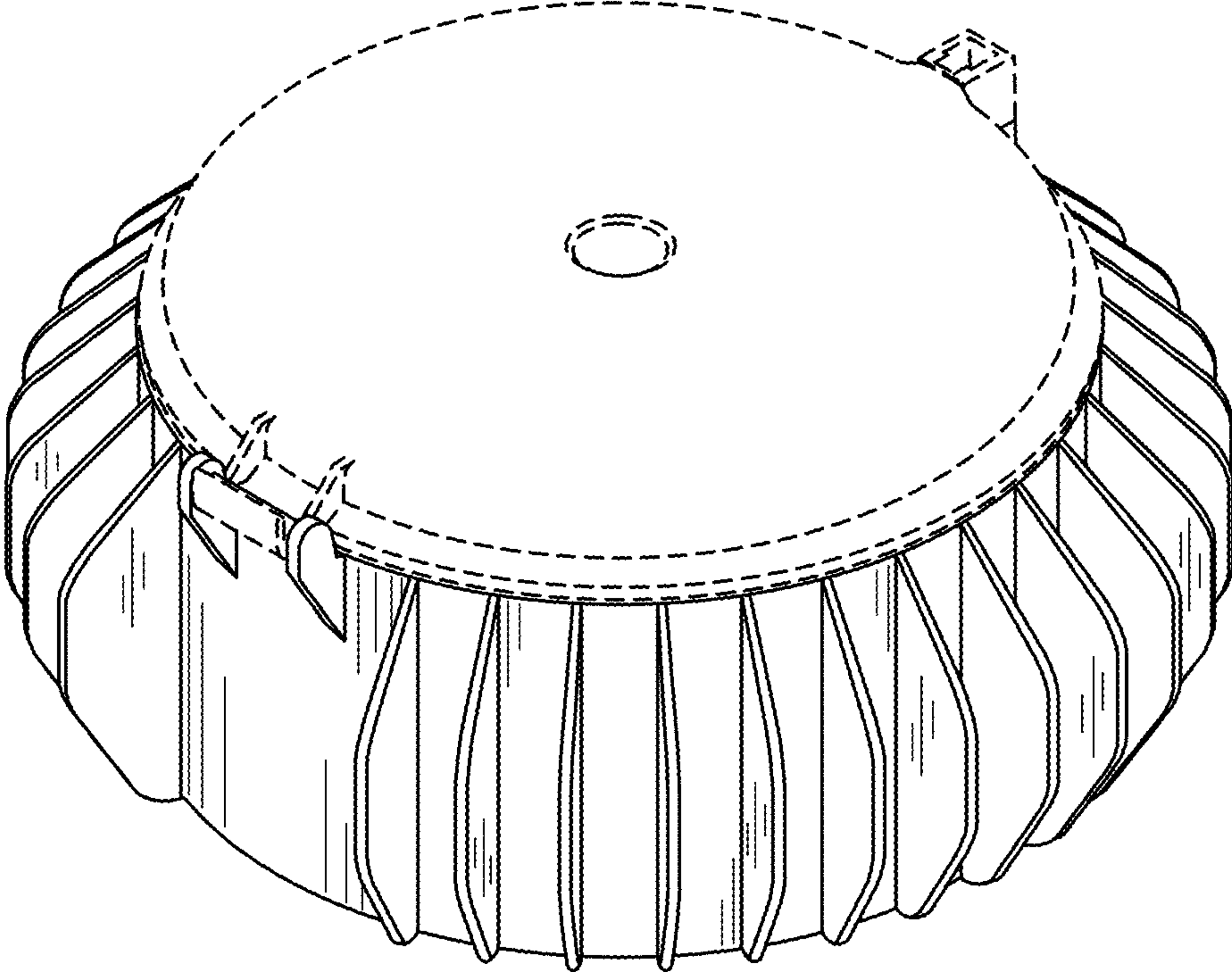


FIG. 1

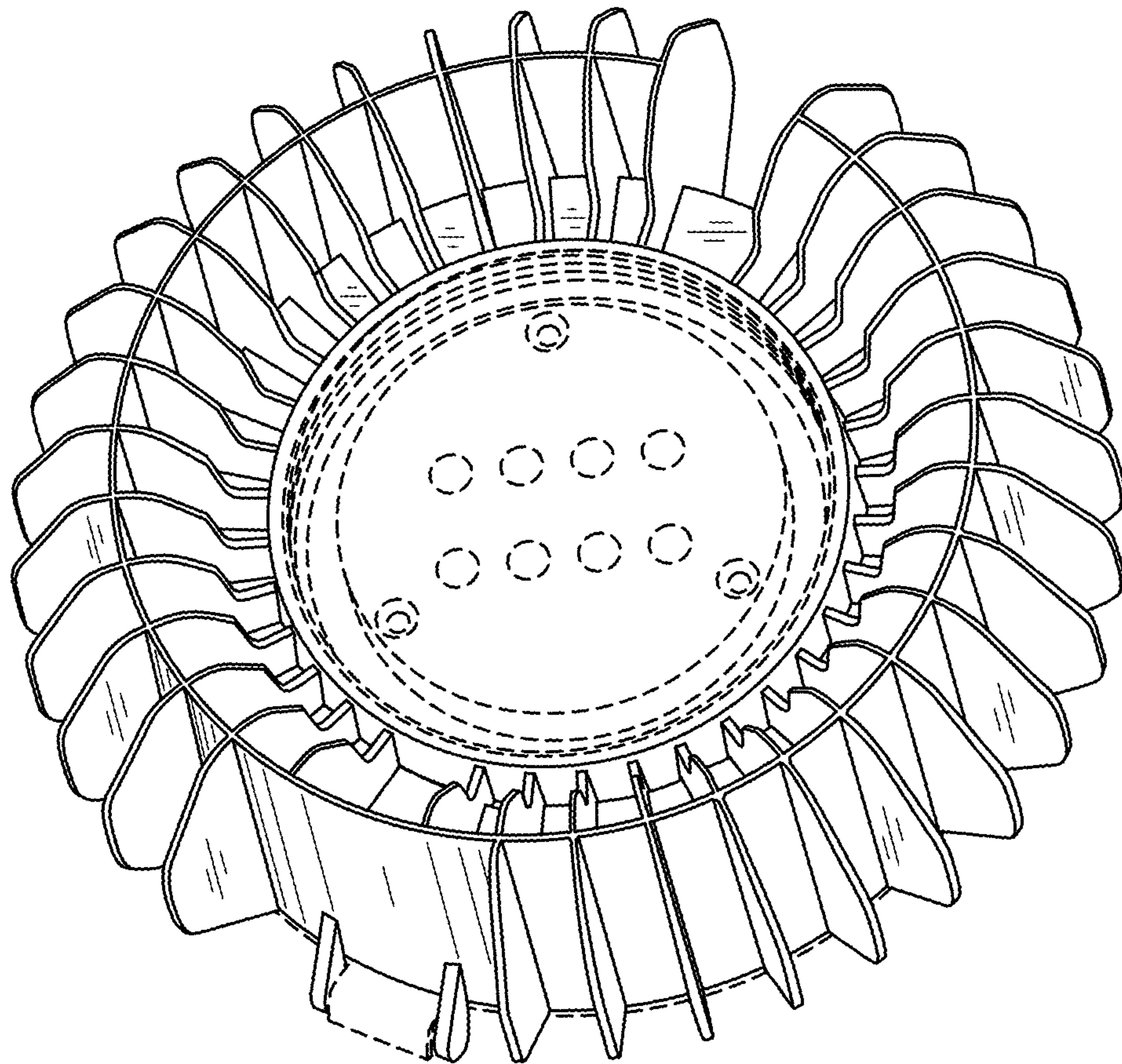


FIG. 2



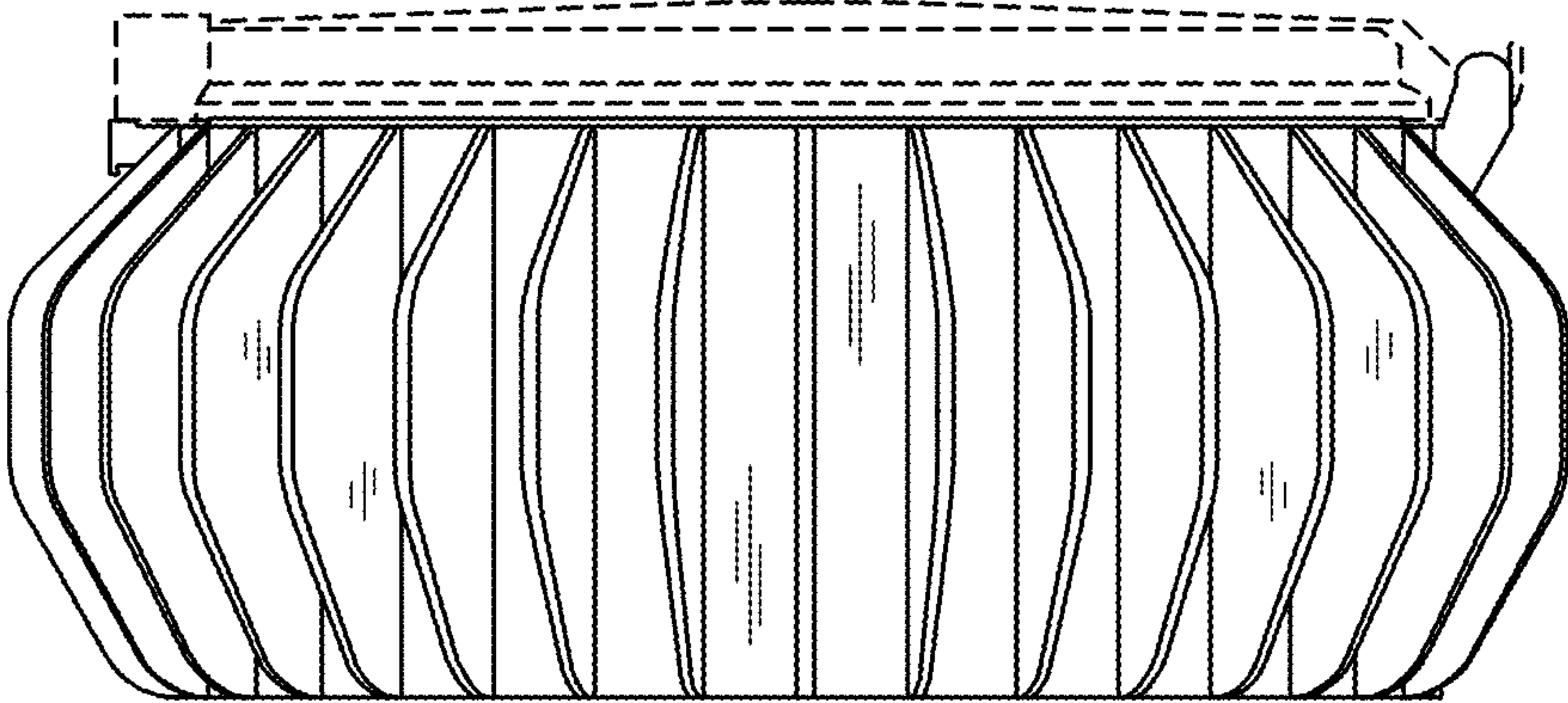


FIG. 3

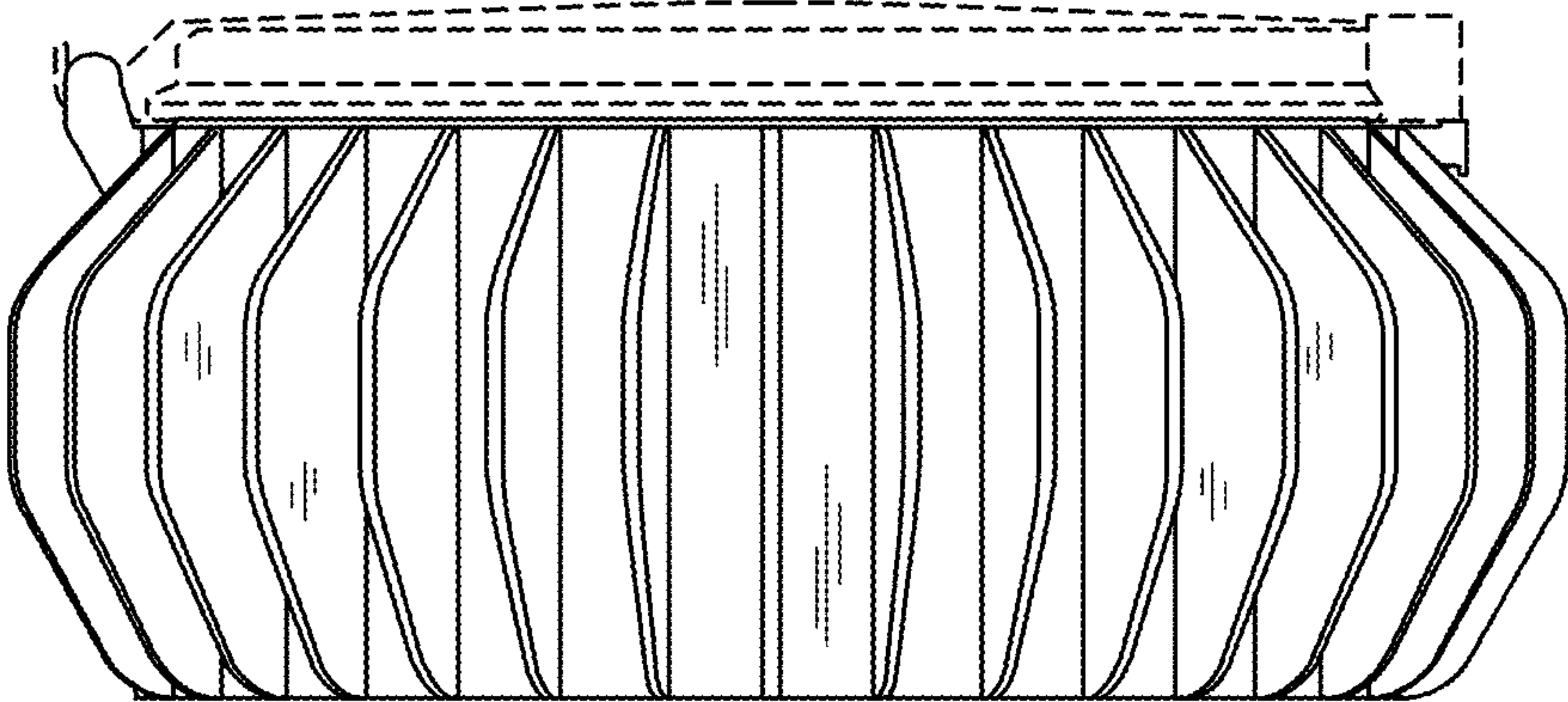


FIG. 4

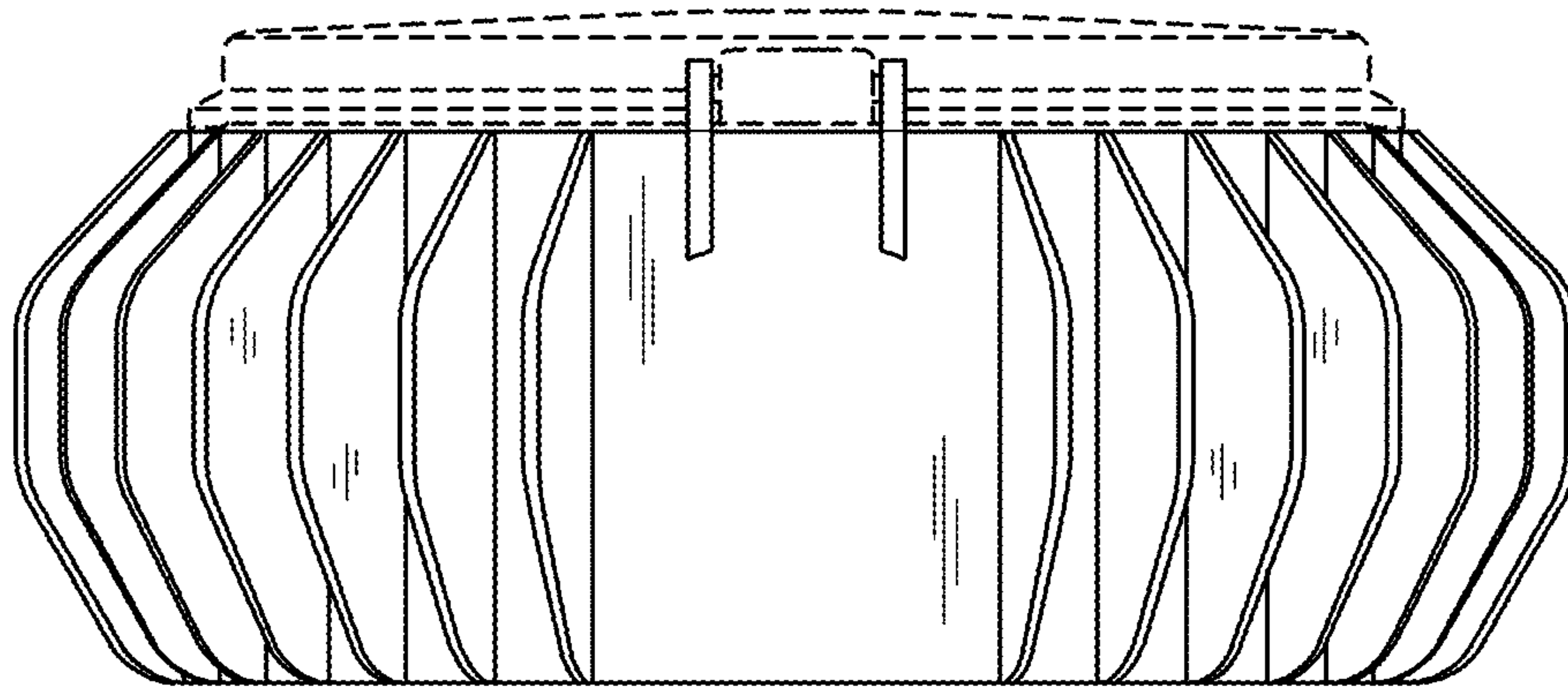


FIG. 5

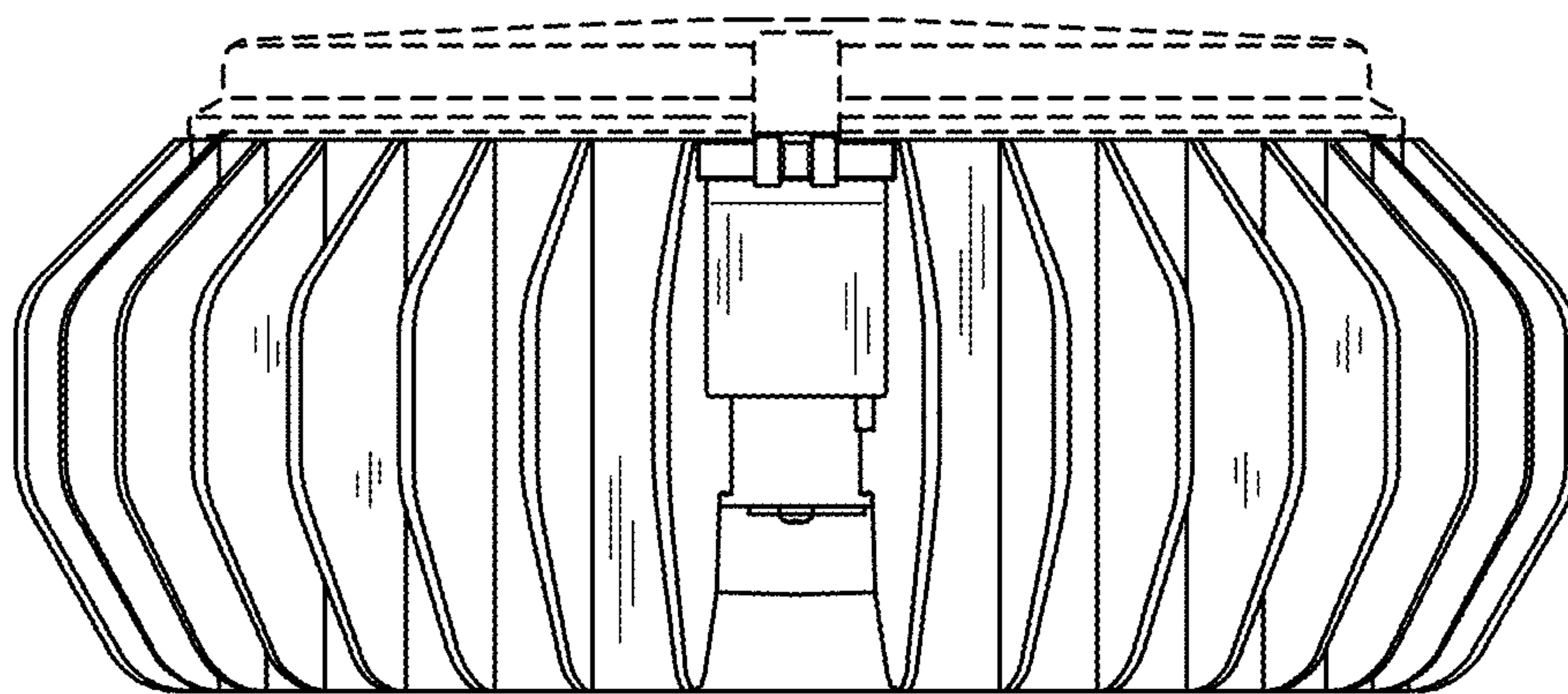


FIG. 6

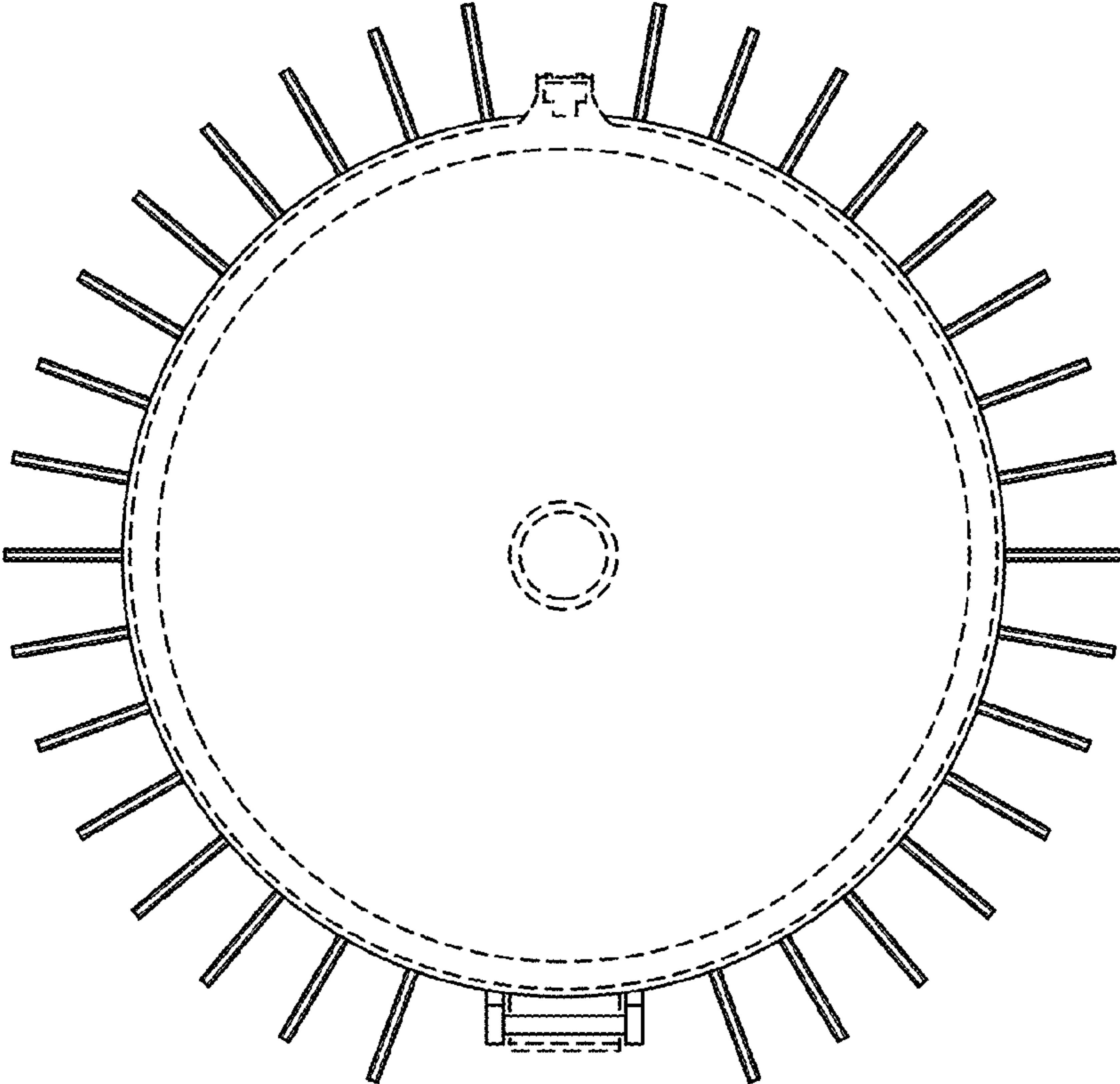


FIG. 7

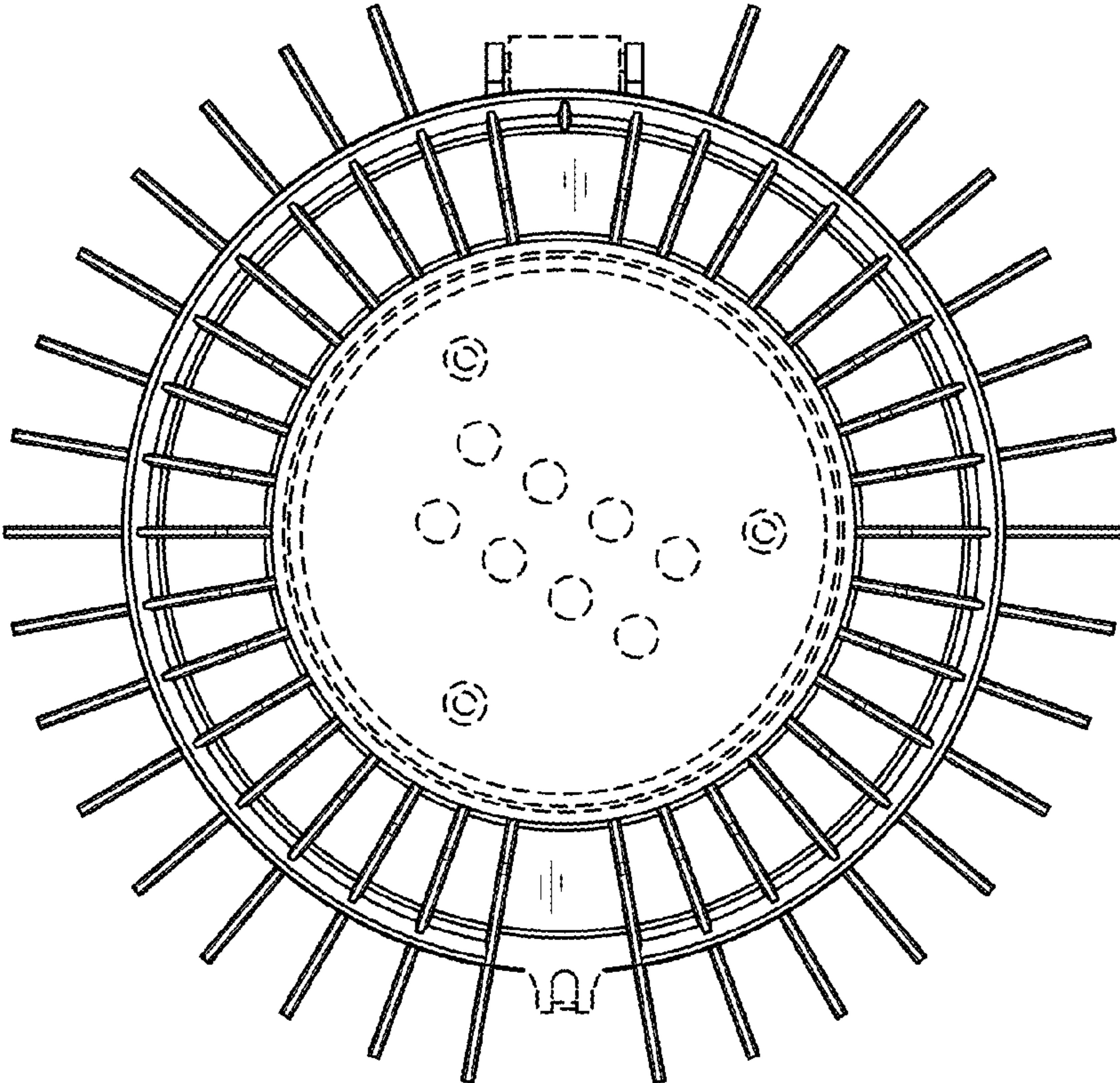


FIG. 8