



US00D700988S

(12) **United States Design Patent**
Koho

(10) **Patent No.:** **US D700,988 S**
(45) **Date of Patent:** **** Mar. 11, 2014**

(54) **LIGHT FRAME**

(71) Applicant: **Secto Design Oy**, Kauniainen (FI)

(72) Inventor: **Seppo Koho**, Helsinki (FI)

(73) Assignee: **Secto Design Oy**, Kauniainen (FI)

(**) Term: **14 Years**

(21) Appl. No.: **29/447,668**

(22) Filed: **Mar. 5, 2013**

(30) **Foreign Application Priority Data**

Sep. 7, 2012 (EM) 002098798-0001
Sep. 7, 2012 (EM) 002098798-0002

(51) **LOC (10) Cl.** **26-03**

(52) **U.S. Cl.**
USPC **D26/88**; D26/118

(58) **Field of Classification Search**
USPC D26/72, 73, 81, 84, 88, 90, 118,
D26/127-137; 362/147, 404-408, 351, 352,
362/360, 361
See application file for complete search history.

(56) **References Cited**

U.S. PATENT DOCUMENTS

1,196,523	A *	8/1916	Clark	362/352
1,868,692	A *	7/1932	Bruckmann	362/357
2,212,638	A *	8/1940	Franke	D11/121
3,600,572	A *	8/1971	Grunwald	362/358
D260,938	S *	9/1981	Zurcher	D26/91
4,654,767	A *	3/1987	Yamaguchi	362/352
D328,955	S *	8/1992	Sheradsky	D26/88
D430,330	S *	8/2000	Hammar	D26/88
6,688,757	B2 *	2/2004	Kovach et al.	362/352
D593,705	S *	6/2009	Bilotti	D26/118

D604,452	S *	11/2009	Smith	D26/118
D622,893	S *	8/2010	Nadell	D26/88
7,857,490	B1 *	12/2010	Fett et al.	362/352
D631,596	S *	1/2011	Sadler	D26/93
D635,711	S *	4/2011	Scutella'	D26/88
D654,210	S *	2/2012	Bushre	D26/113
D665,525	S *	8/2012	Patterson	D26/86

* cited by examiner

Primary Examiner — Clare E Heflin

(74) *Attorney, Agent, or Firm* — Myers Wolin, LLC

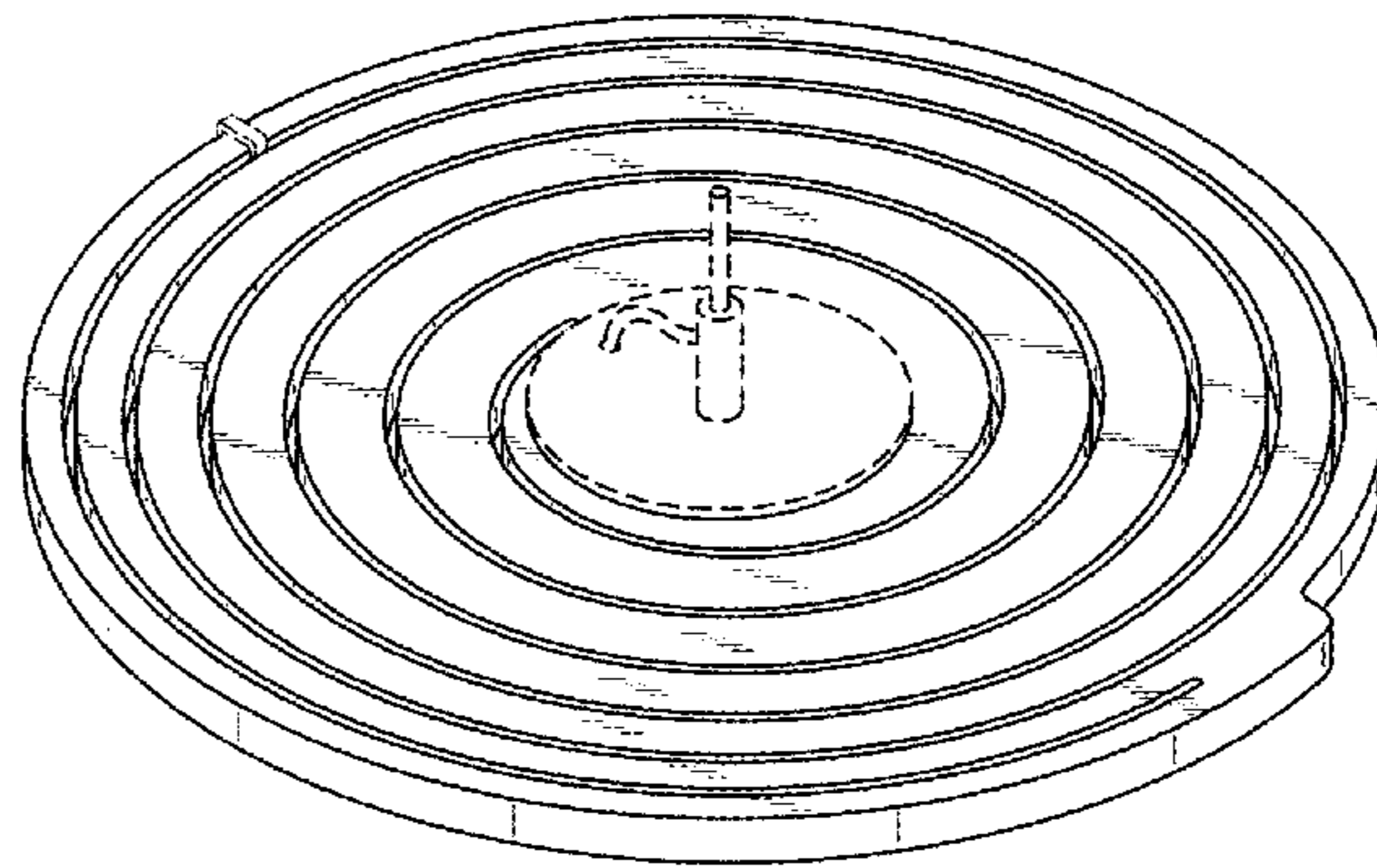
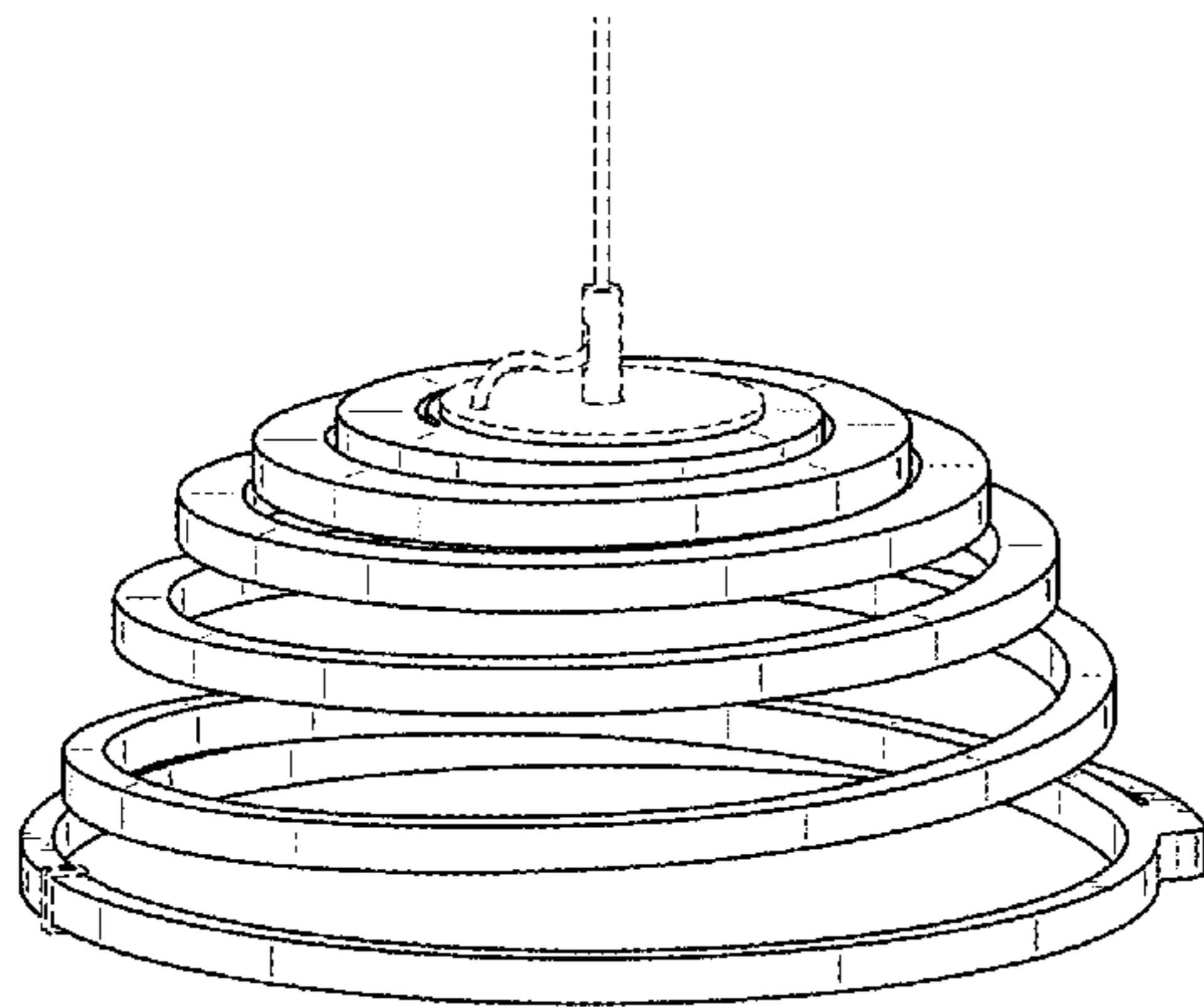
(57) **CLAIM**

The ornamental design for a light frame, as shown and described.

DESCRIPTION

FIG. 1 is a front view of a light frame in an expanded condition showing my new design;
 FIG. 2 is a back view thereof;
 FIG. 3 is a top view thereof;
 FIG. 4 is a bottom view thereof;
 FIG. 5 is a perspective view thereof from the top vantage point;
 FIG. 6 is a perspective view thereof from the bottom vantage point;
 FIG. 7 is a front view of a light frame in a collapsed condition showing my new design;
 FIG. 8 is a back view thereof;
 FIG. 9 is a top view thereof;
 FIG. 10 is a bottom view thereof;
 FIG. 11 is a perspective view thereof from the top vantage point; and,
 FIG. 12 is a perspective view thereof from the bottom vantage point.
 The broken lines are for illustrative purposes only and form no part of the claimed design.

1 Claim, 6 Drawing Sheets



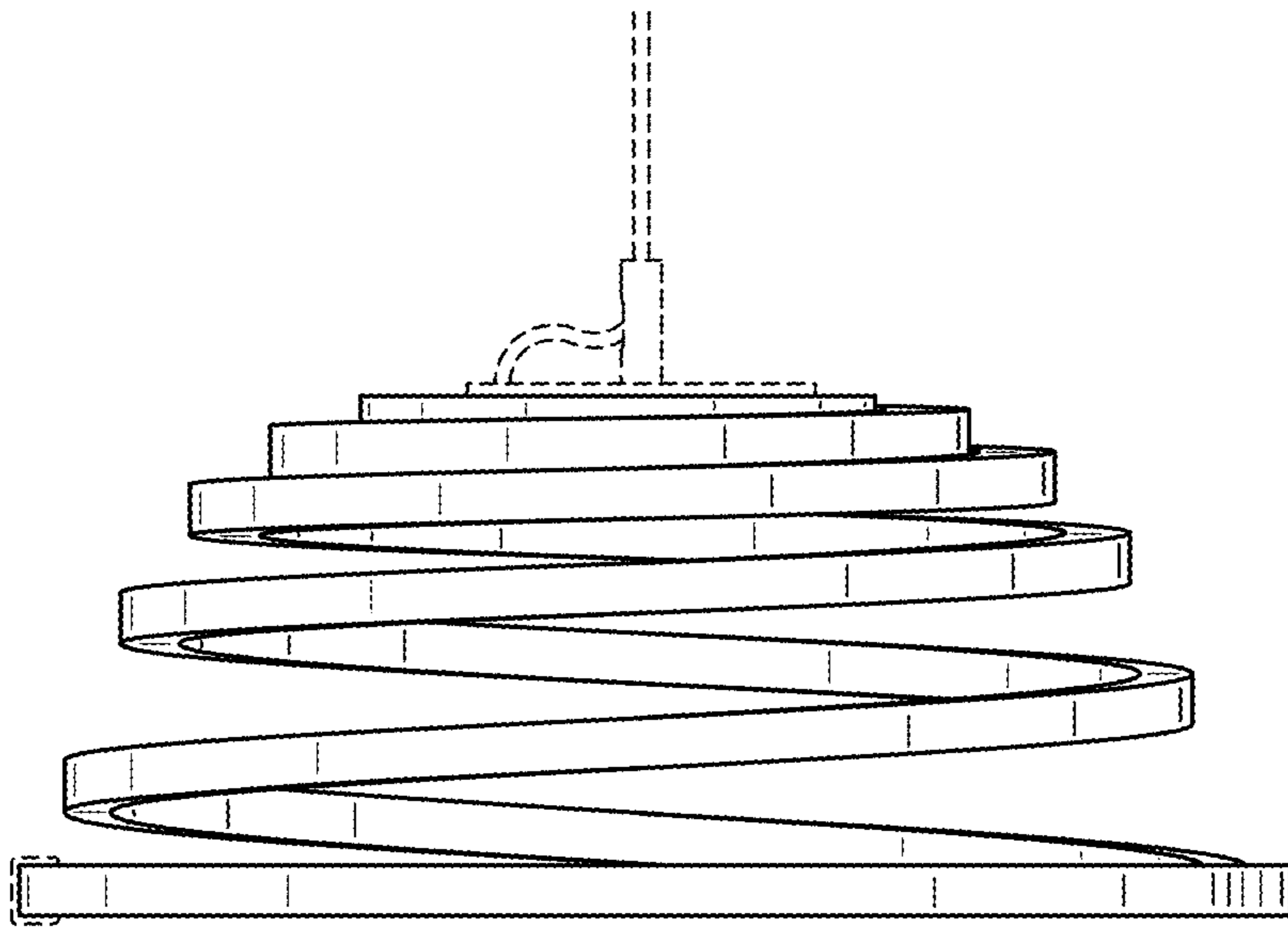


FIG. 1

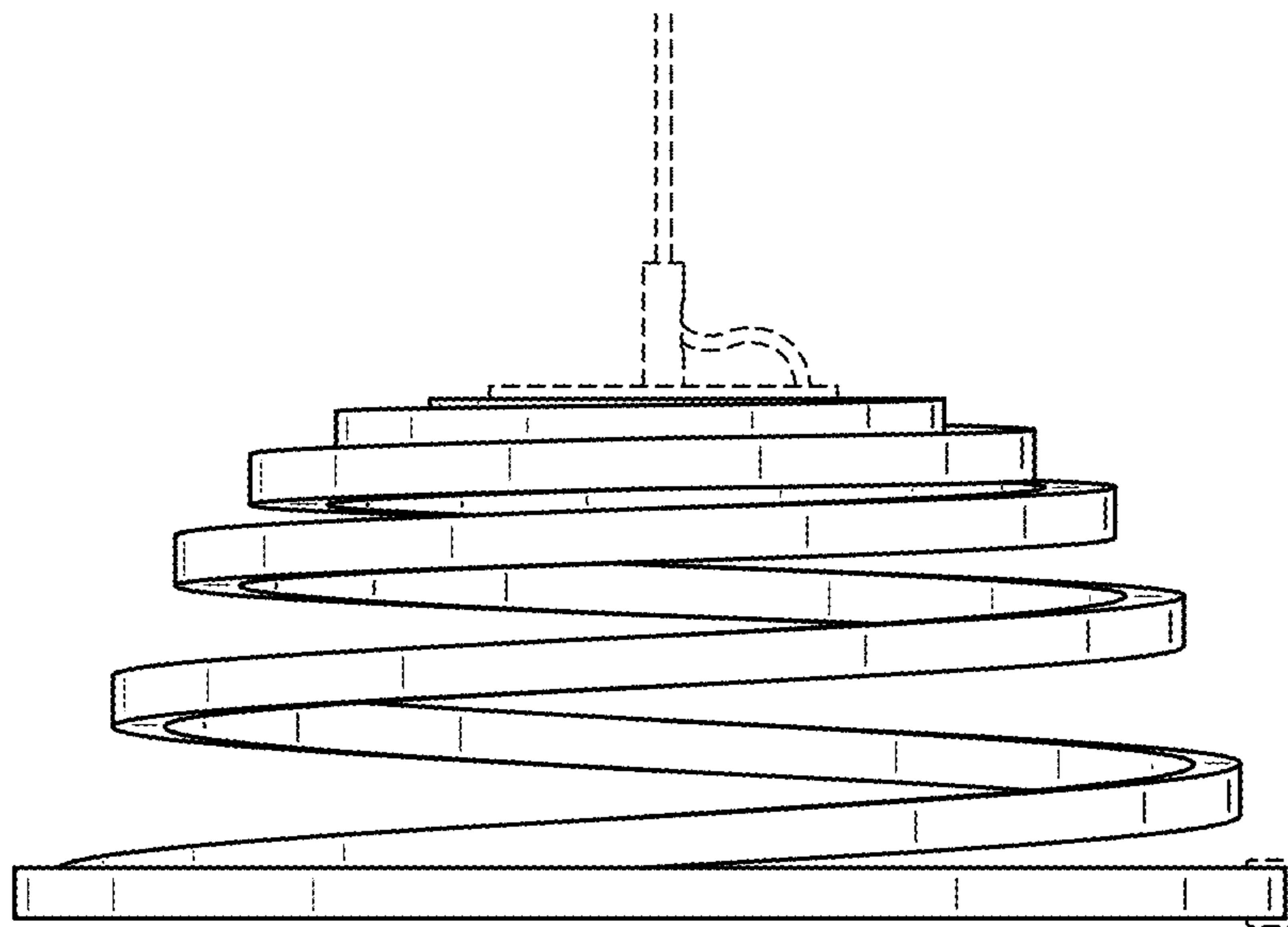


FIG. 2

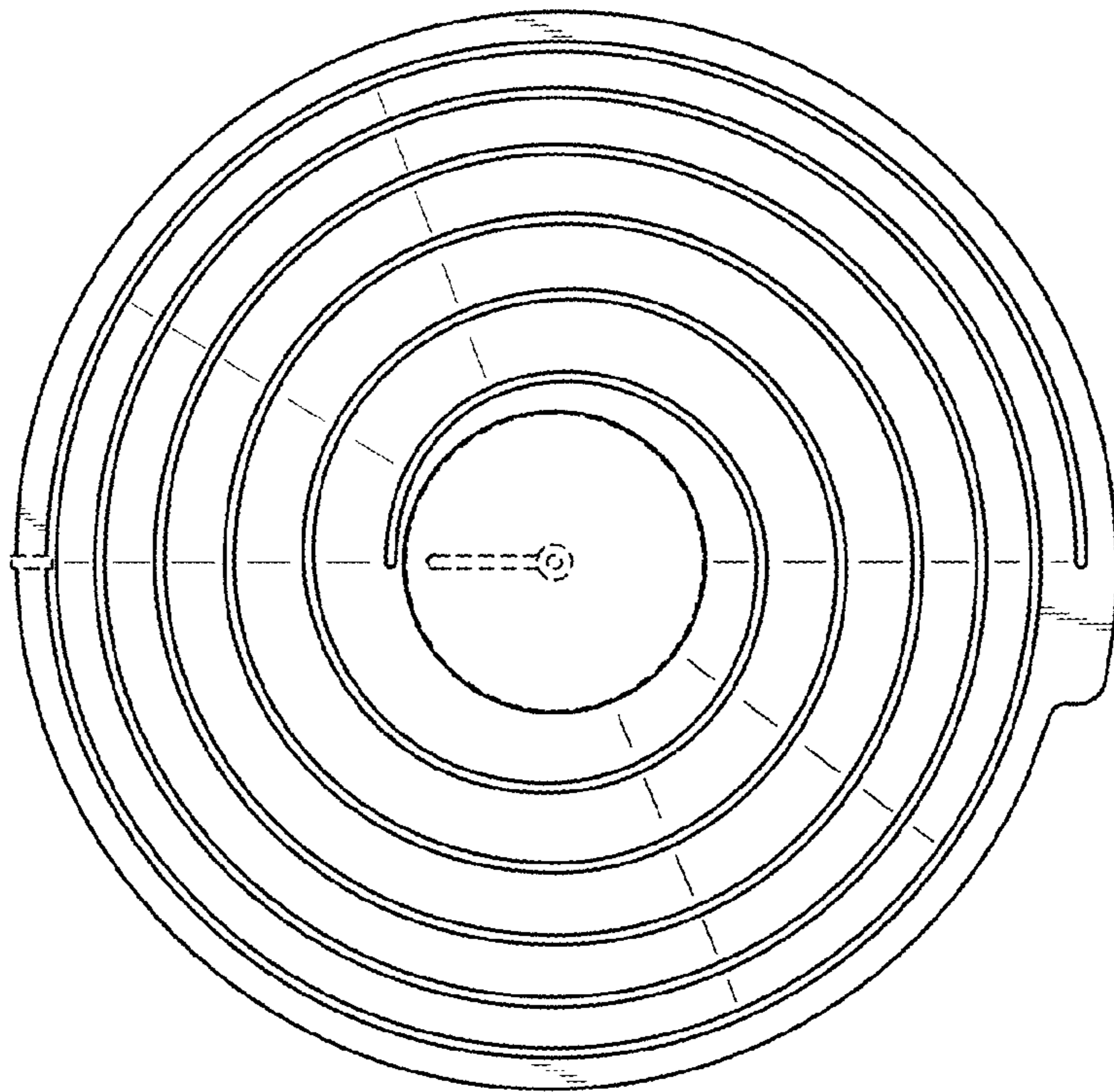


FIG. 3

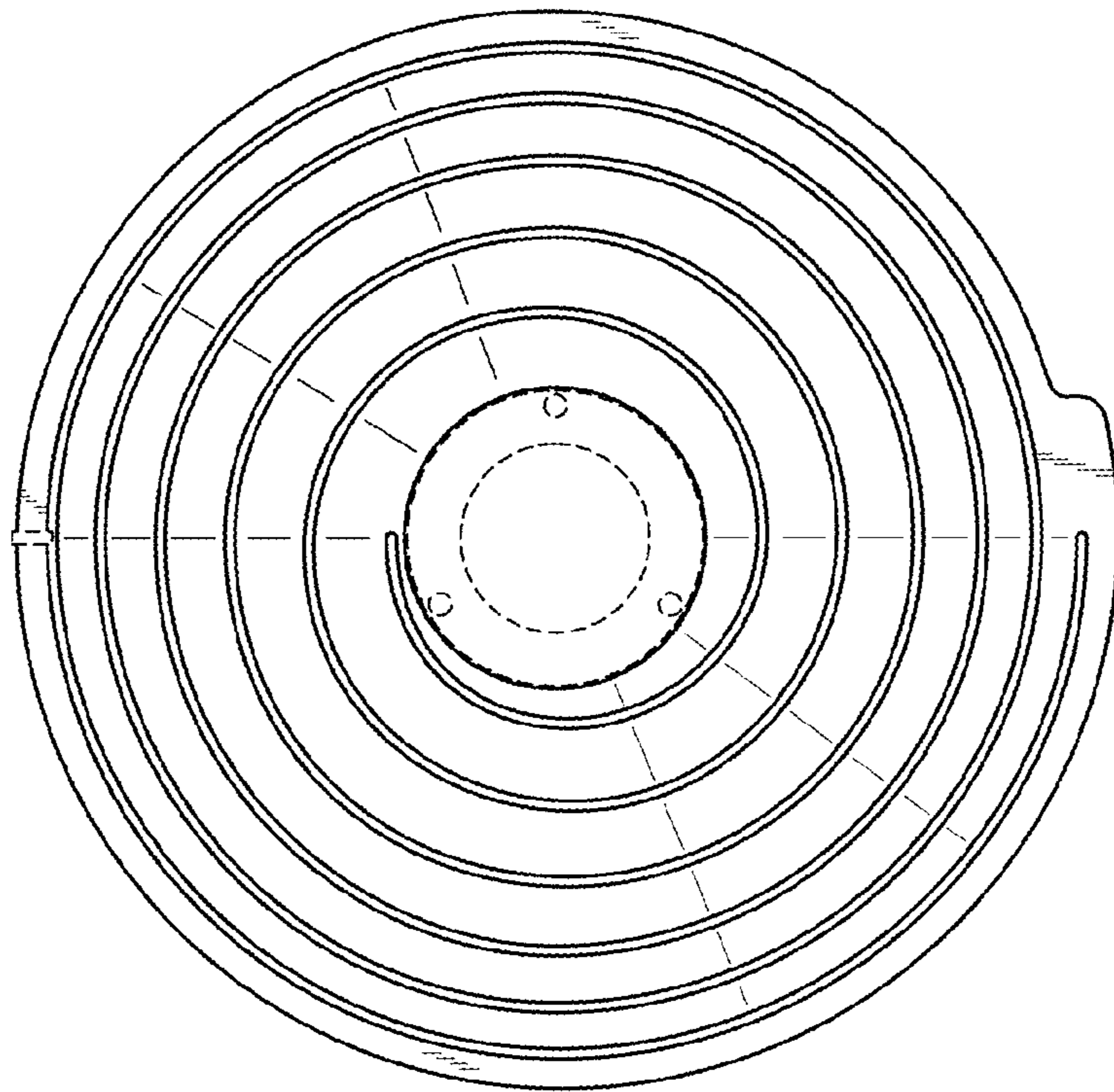


FIG. 4

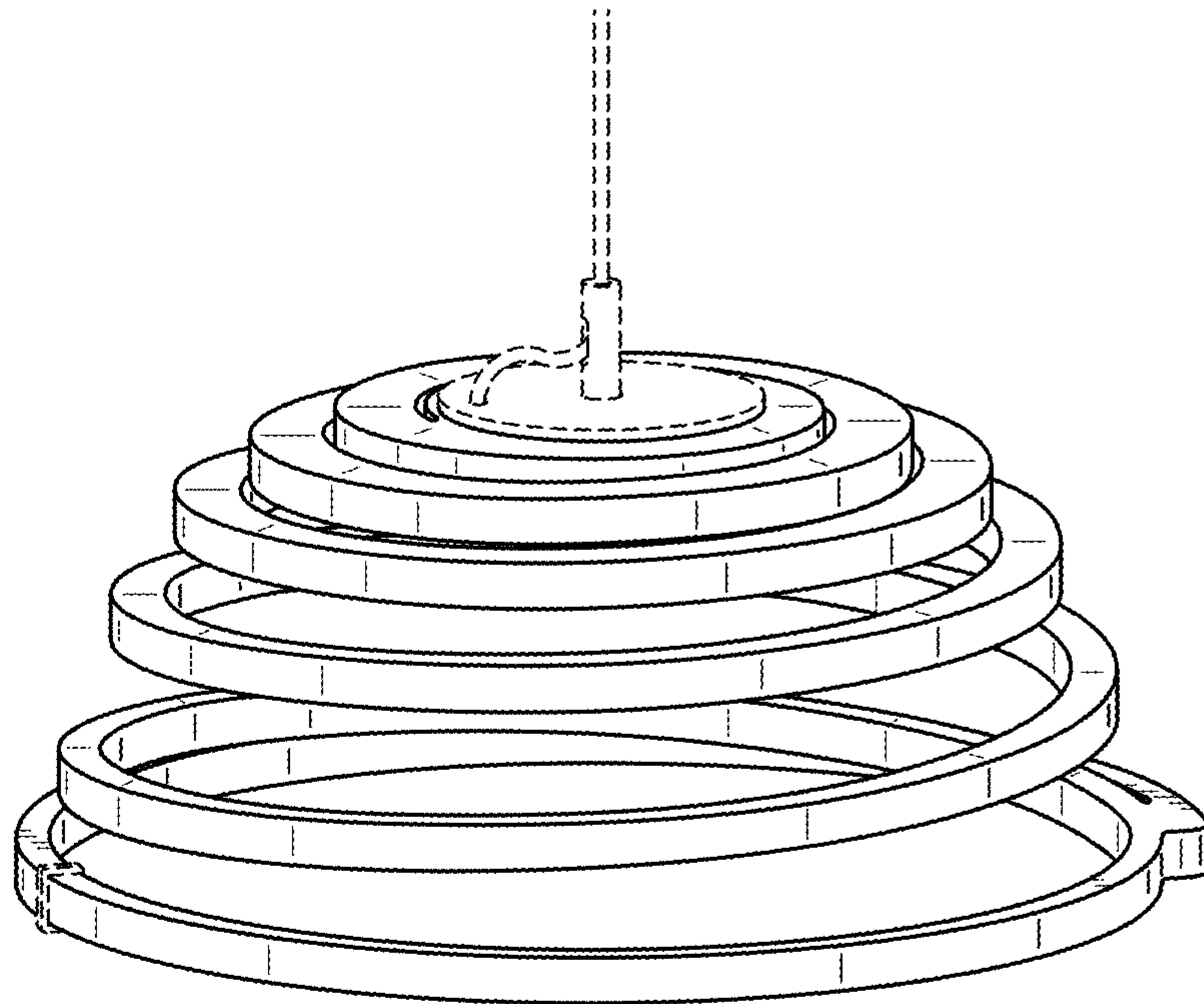


FIG. 5

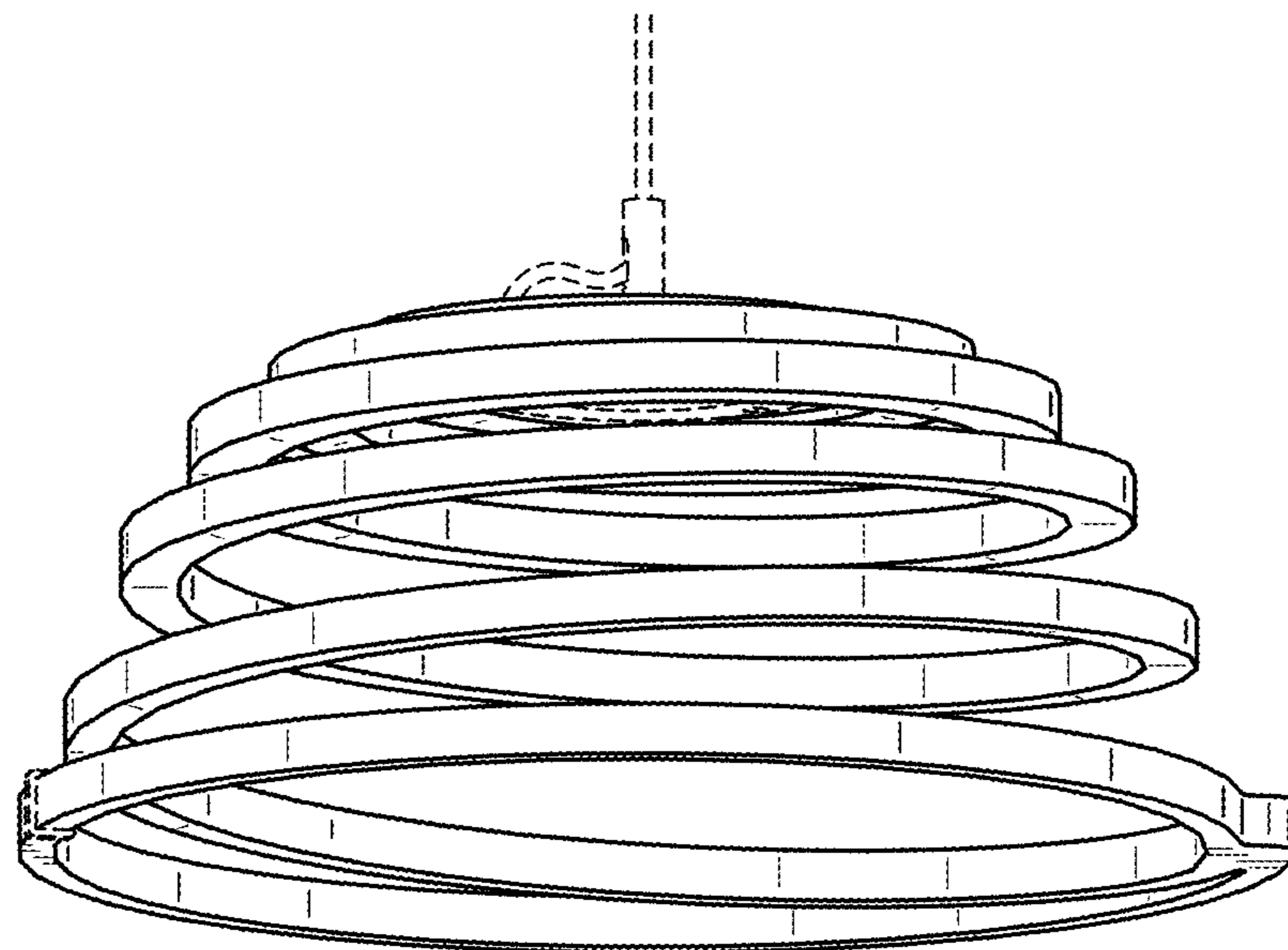


FIG. 6

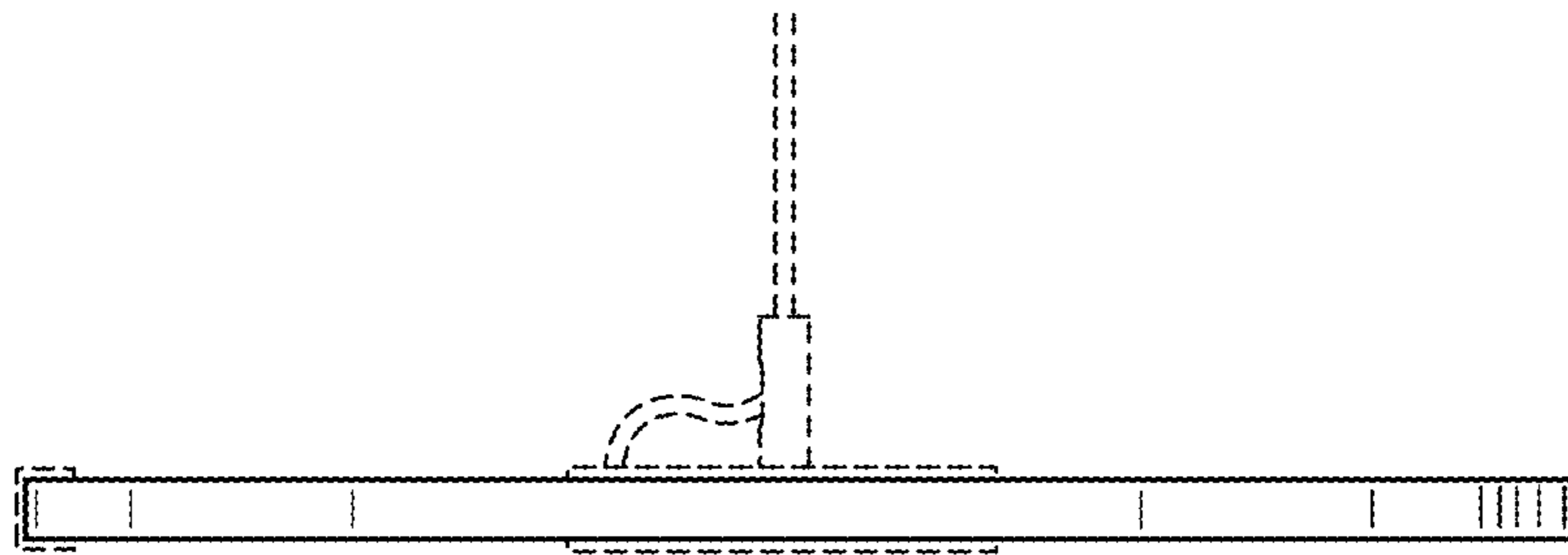


FIG. 7

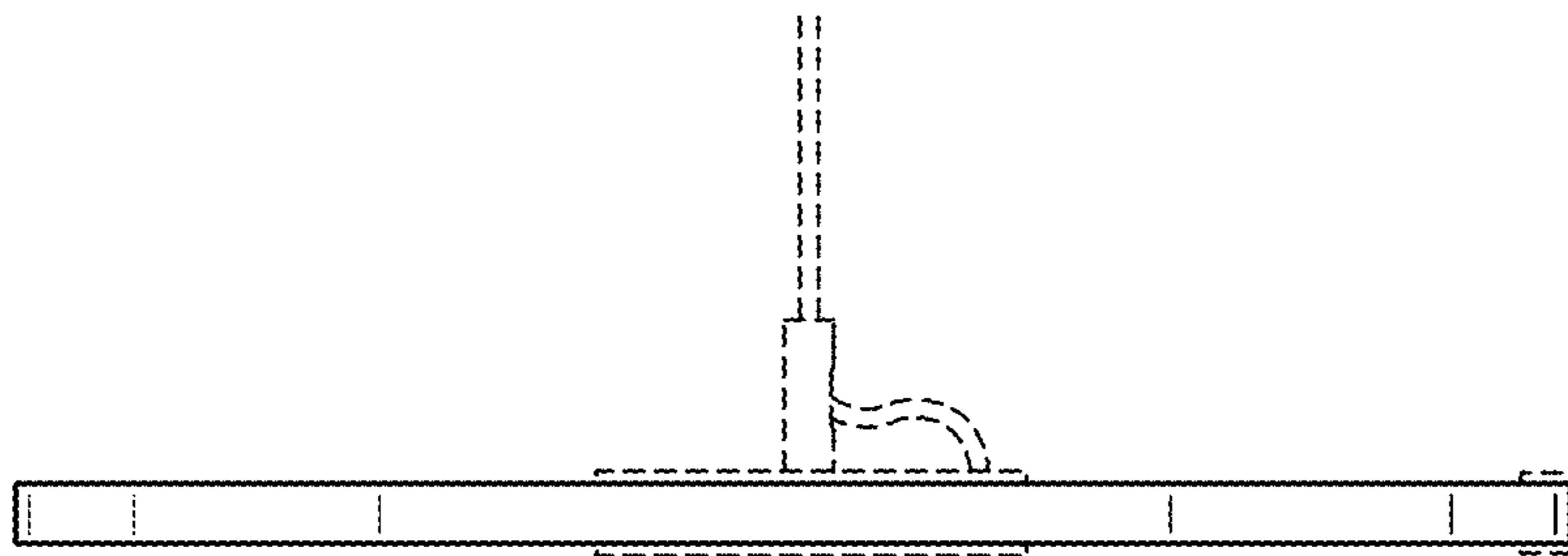


FIG. 8

5/6

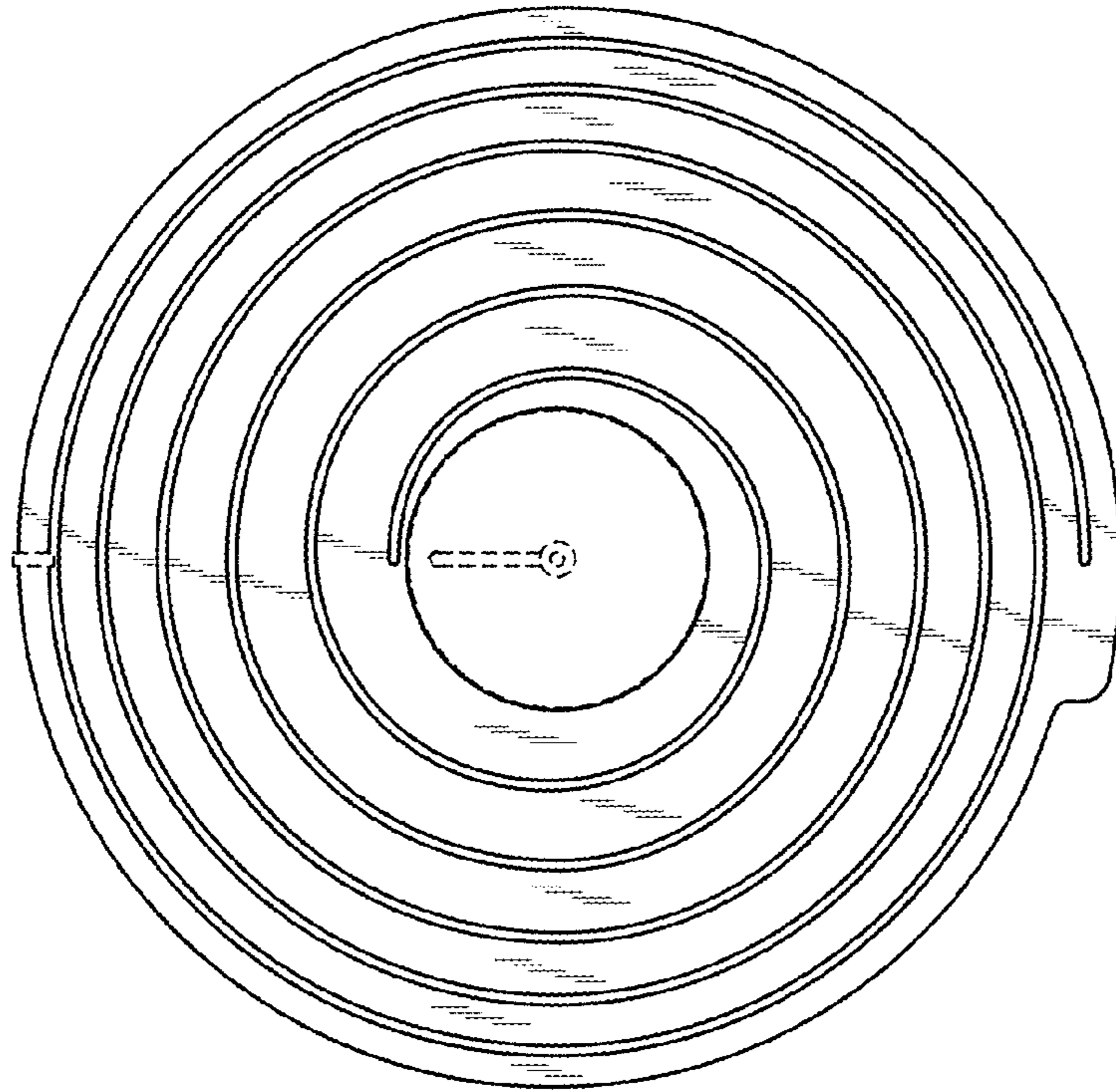


FIG. 9

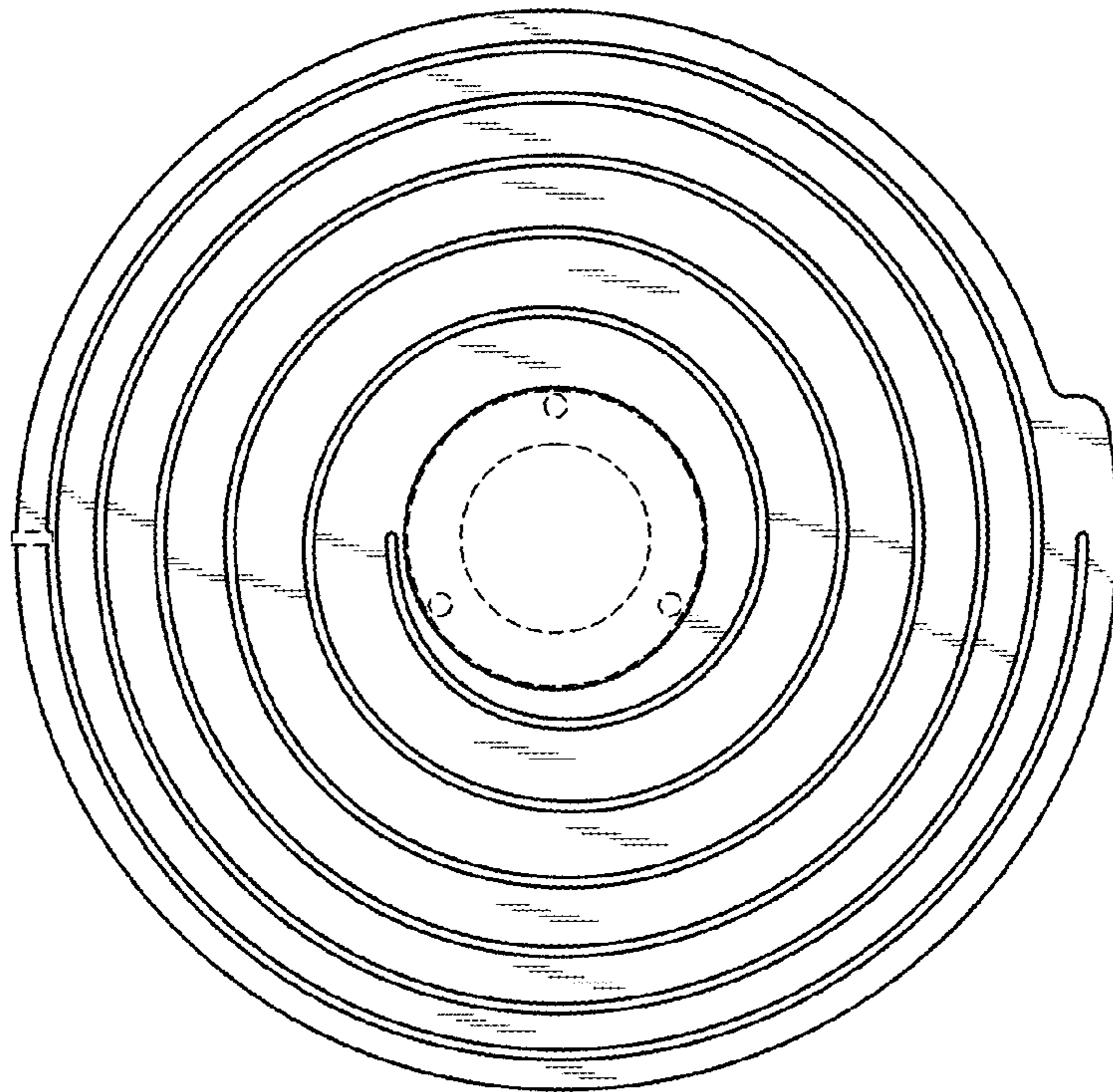


FIG. 10

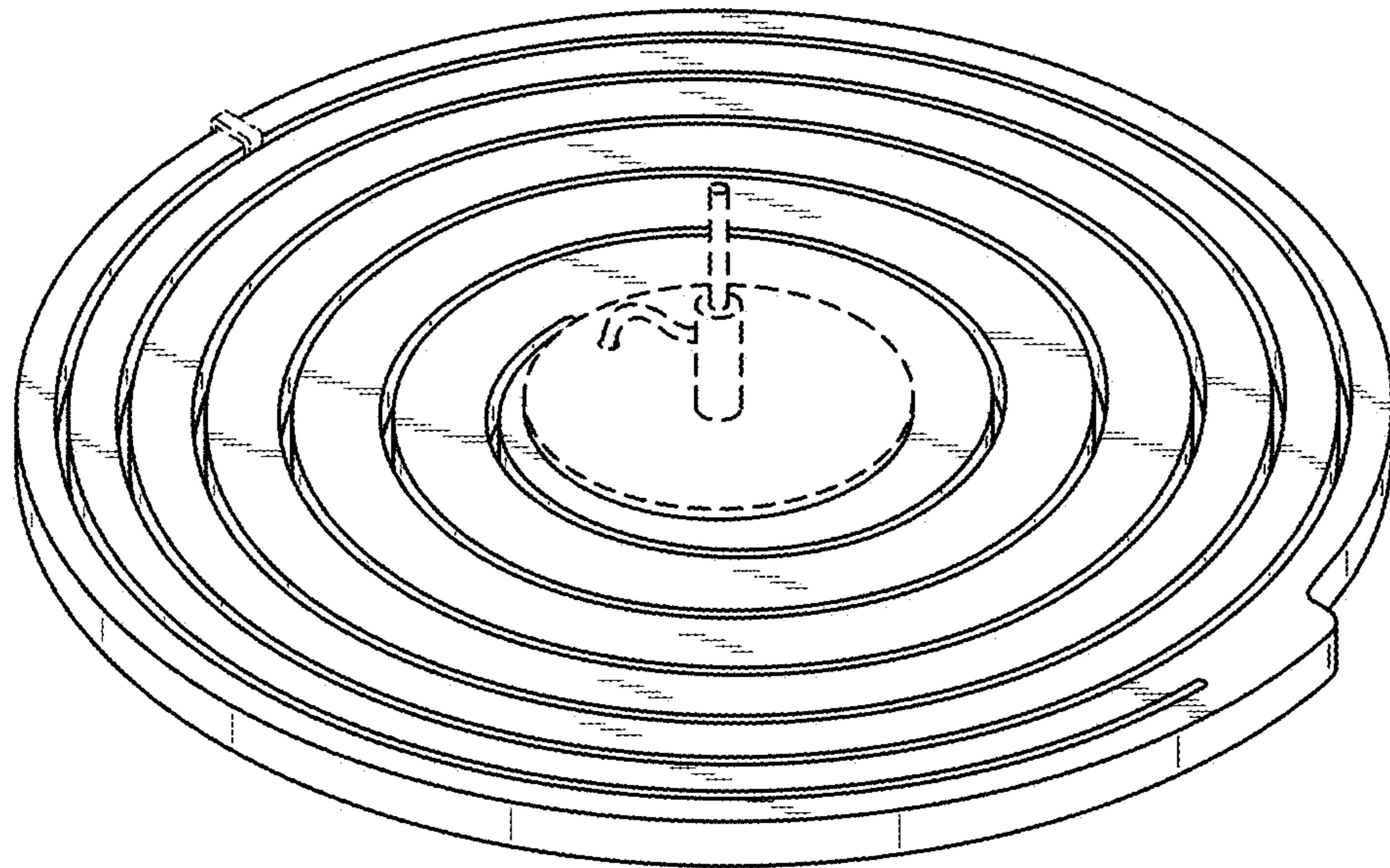


FIG. 11

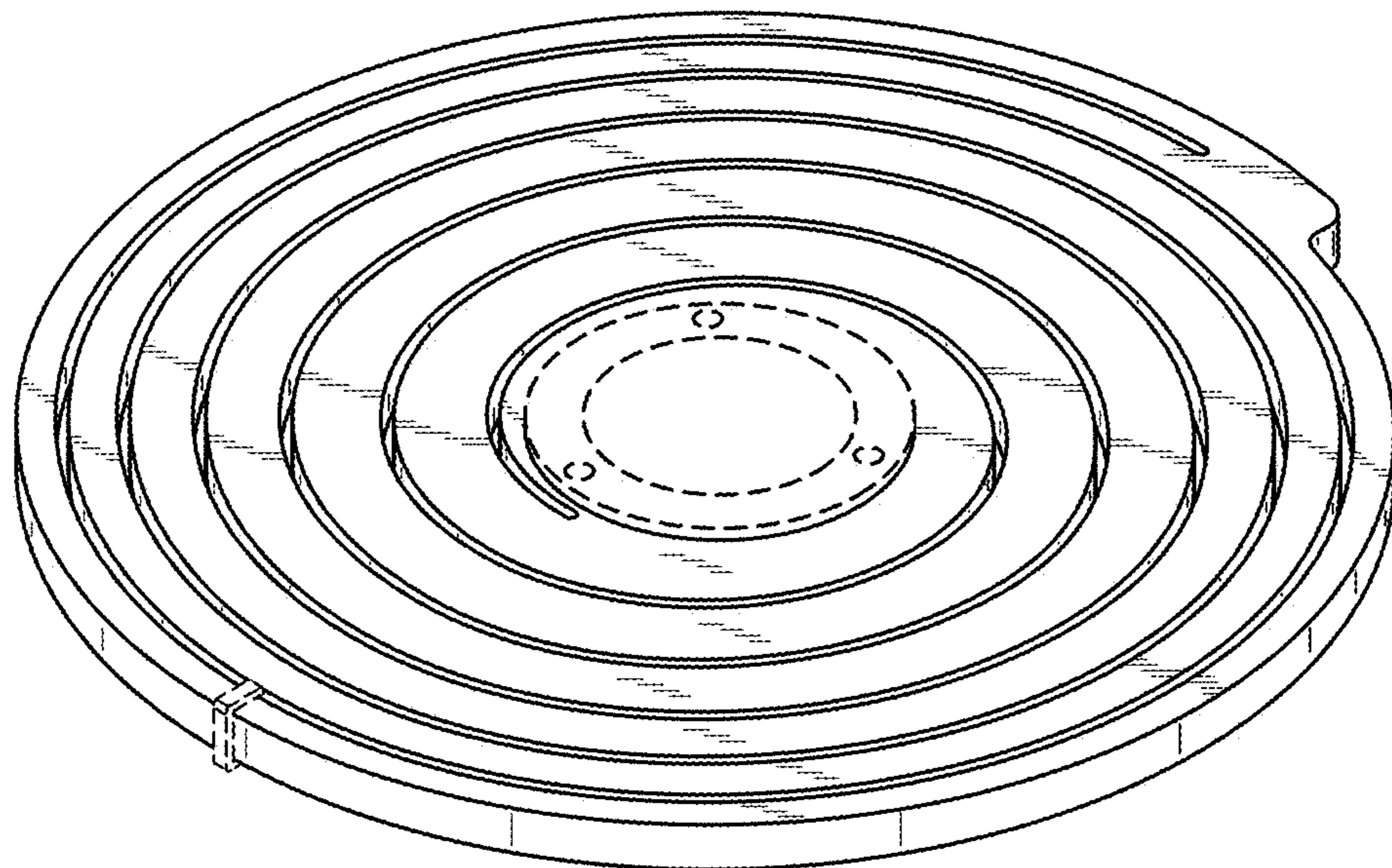


FIG. 12