



US00D700987S

(12) **United States Design Patent**
Nepple et al.

(10) **Patent No.:** **US D700,987 S**

(45) **Date of Patent:** **** Mar. 11, 2014**

(54) **TRAPEZOIDAL LUMINAIRE**

(71) Applicant: **Cooper Technologies Company,**
Houston, TX (US)

(72) Inventors: **Jeffrey Brian Nepple,** Yorba Linda, CA
(US); **Zachary Adam Ingalls,** Denver,
CO (US); **Matthew A. Davis,** Orange,
CA (US); **Dean Grierson,** Westminster,
CO (US)

(73) Assignee: **Cooper Technologies Company,**
Houston, TX (US)

(**) Term: **14 Years**

(21) Appl. No.: **29/450,587**

(22) Filed: **Mar. 19, 2013**

Related U.S. Application Data

(63) Continuation of application No. 29/400,535, filed on
Aug. 30, 2011, now abandoned.

(51) **LOC (10) Cl.** **26-05**

(52) **U.S. Cl.**
USPC **D26/71; D26/120**

(58) **Field of Classification Search**
USPC D26/59, 71, 74, 76, 85, 87, 89, 90, 118,
D26/120; D23/377, 379, 411; 362/147, 148,
362/365, 453–456, 479, 483, 488, 490
See application file for complete search history.

(56) **References Cited**

U.S. PATENT DOCUMENTS

142,473 A	9/1873	Hyatt
145,185 A	12/1873	Hyatt
145,208 A	12/1873	Hyatt
D120,658 S	5/1940	Arenberg
D120,772 S	5/1940	Arenberg
D120,773 S	5/1940	Arenberg

D129,828 S	*	10/1941	Cadwallader	D26/120
D134,830 S	*	1/1943	Cadwallader	D26/120
D147,577 S	*	9/1947	Cadwallader	D26/120
D164,065 S		7/1951	Rutledge		
D186,130 S	*	9/1959	Izzi et al.	D26/71
D196,670 S	*	10/1963	Kinnear et al.	D26/69

(Continued)

Primary Examiner — Clare E Heflin

(74) *Attorney, Agent, or Firm* — King & Spalding LLP

(57) **CLAIM**

The ornamental design for a trapezoidal luminaire, as shown
and described.

DESCRIPTION

FIG. 1 is a perspective view of a trapezoidal luminaire, show-
ing our new design;

FIG. 2 is a top plan view thereof;

FIG. 3 is a bottom plan view thereof;

FIG. 4 is a front elevation view thereof;

FIG. 5 is a right-side elevation view thereof;

FIG. 6 is a rear elevation view thereof;

FIG. 7 is a left-side elevation view thereof;

FIG. 8 is a perspective view of another new ornamental design
for a trapezoidal luminaire;

FIG. 9 is a top plan view of the trapezoidal luminaire of FIG.
8;

FIG. 10 is a bottom plan view of the trapezoidal luminaire of
FIG. 8;

FIG. 11 is a front elevation view of the trapezoidal luminaire
of FIG. 8;

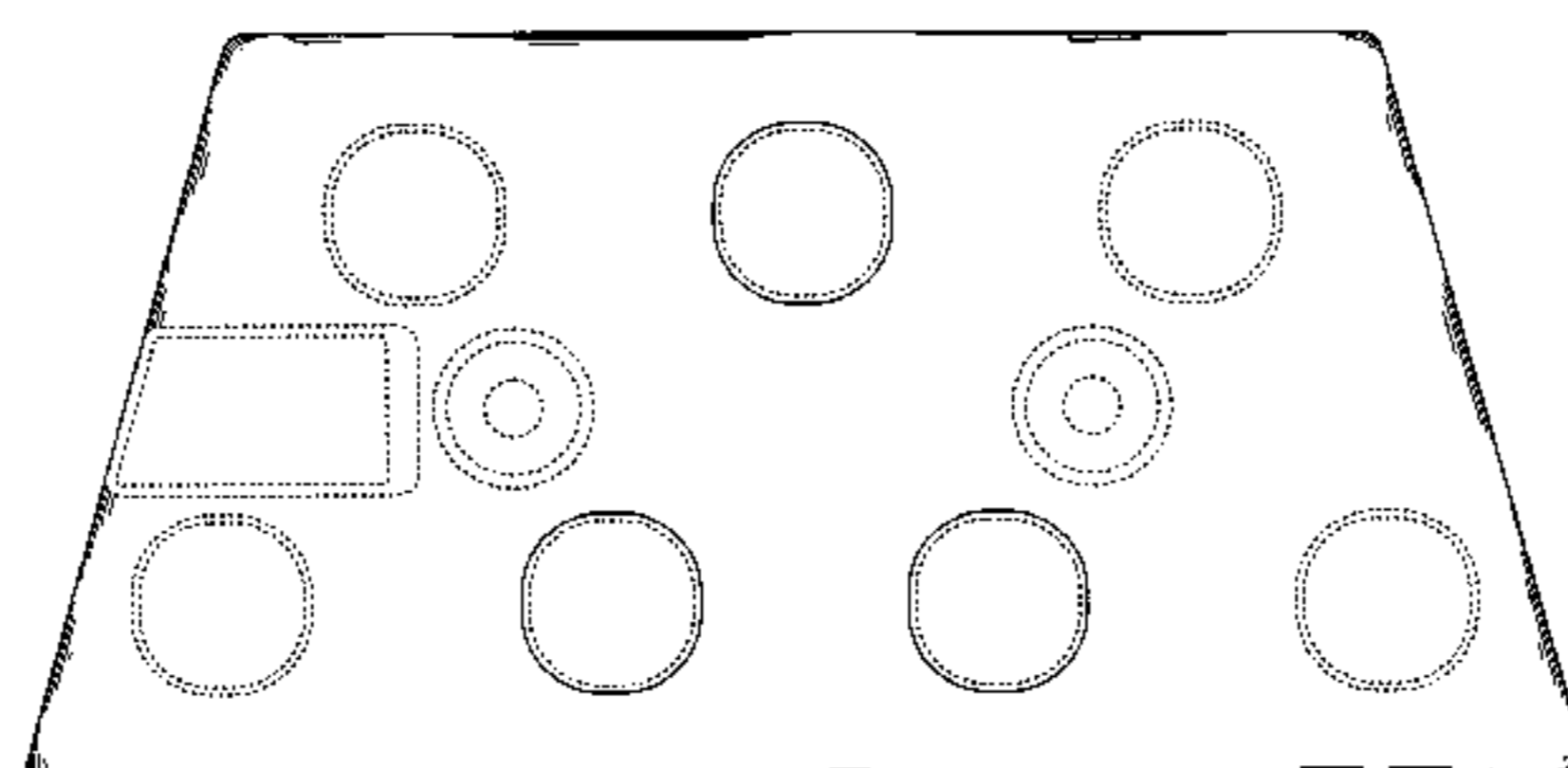
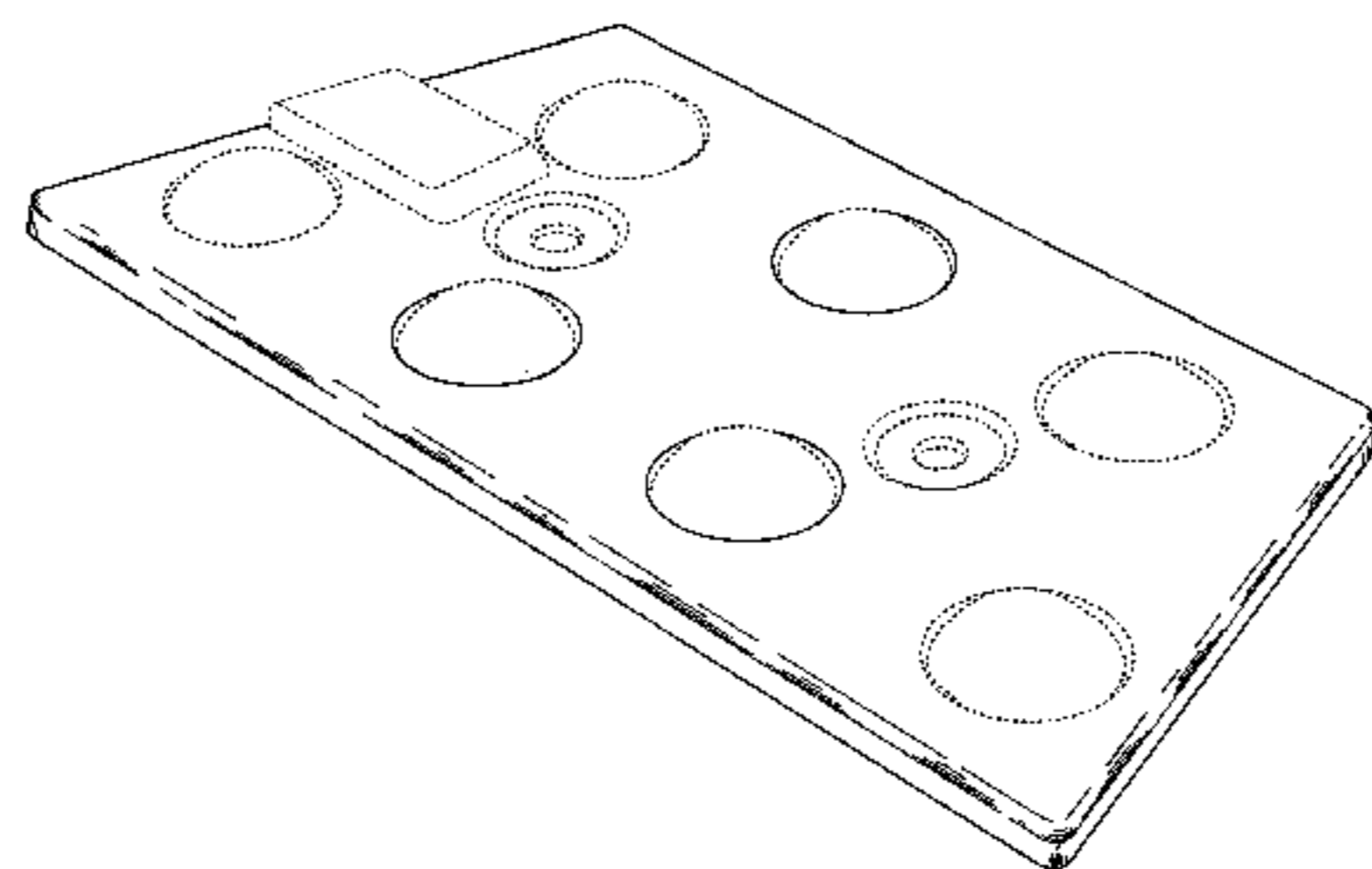
FIG. 12 is a right-side elevation view of the trapezoidal lumi-
naire of FIG. 8;

FIG. 13 is a rear elevation view of the trapezoidal luminaire of
FIG. 8; and,

FIG. 14 is a left-side elevation view of the trapezoidal lumi-
naire of FIG. 8.

The broken lines shown represent unclaimed subject matter
and form no part of the claimed design.

1 Claim, 10 Drawing Sheets



(56)

References Cited

U.S. PATENT DOCUMENTS

D214,939 S *	8/1969	Arrigoni	D26/120	D626,275 S	10/2010	Sabernig	
D218,579 S *	9/1970	Kahn	D10/114.1	D629,558 S *	12/2010	Little et al. D26/120
D367,719 S *	3/1996	Rasmusen	D26/28	D631,187 S	1/2011	Blum et al.	
6,199,993 B1	3/2001	Mou			8,007,128 B2	8/2011	Wu et al.	
D455,223 S *	4/2002	Crosby	D26/85	8,025,428 B2	9/2011	Duguay et al.	
6,364,502 B1	4/2002	Johnson			D648,886 S	11/2011	Kong et al.	
D456,932 S *	5/2002	Crosby	D26/85	D648,887 S	11/2011	Kong et al.	
D468,854 S *	1/2003	Chen	D26/93	D650,504 S	12/2011	Kim et al.	
D535,262 S	1/2007	Saito et al.			D654,607 S	2/2012	Kim et al.	
D613,885 S	4/2010	Lodhie			D671,675 S	11/2012	Komarov et al.	
					D675,774 S *	2/2013	Stathis D26/120
					D677,831 S *	3/2013	Lin et al. D26/120

* cited by examiner

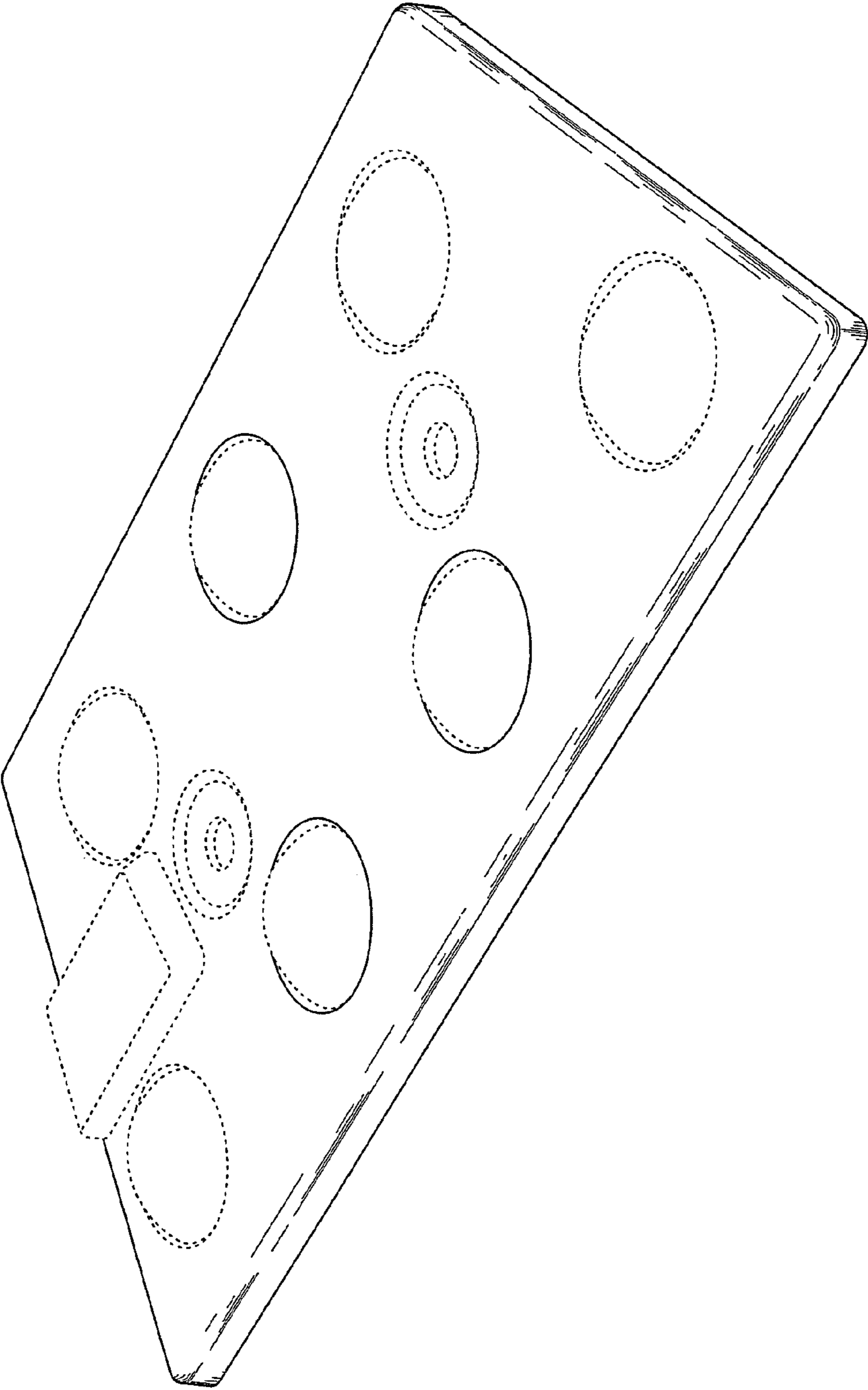


FIG. 1

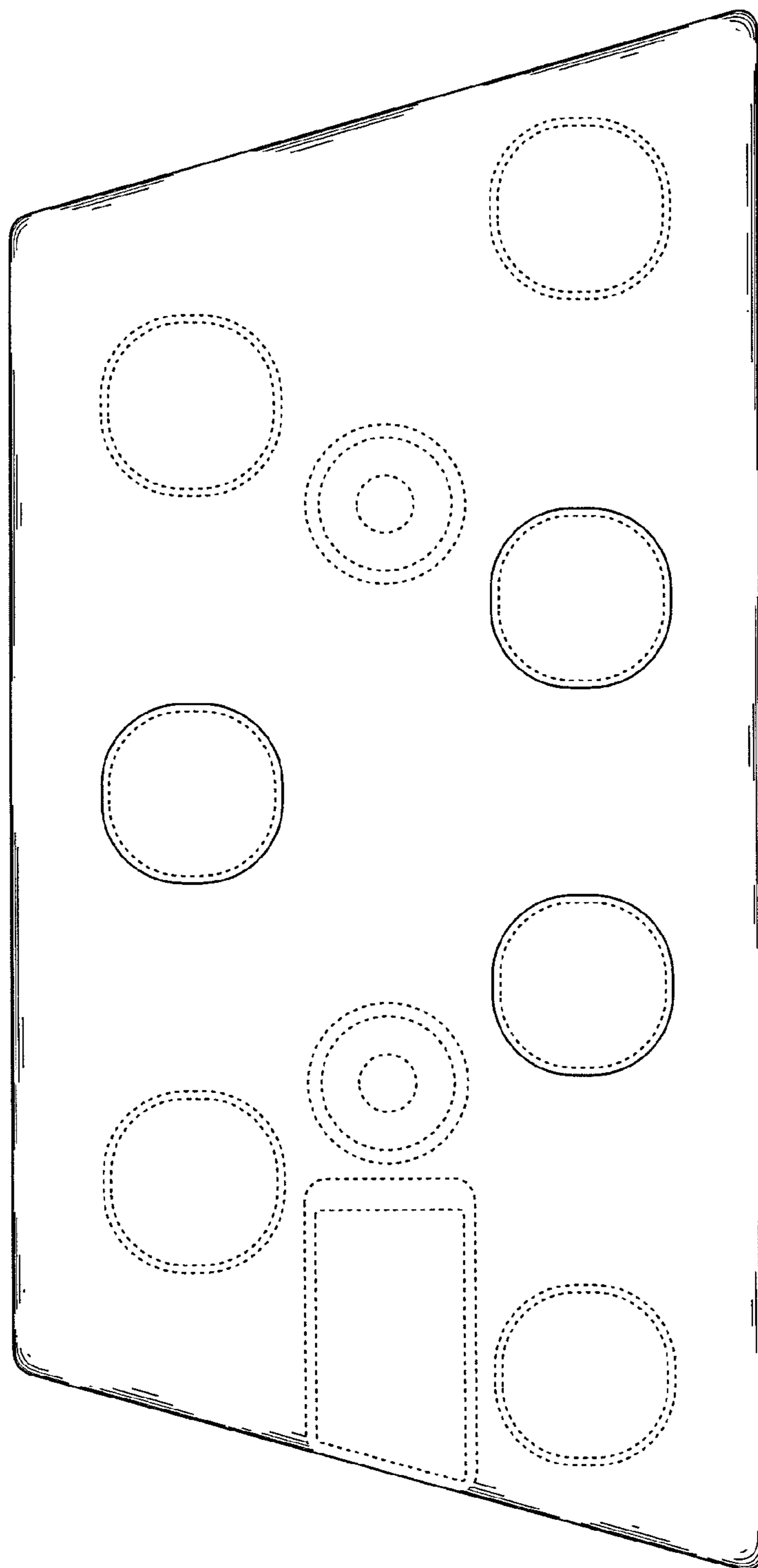


FIG. 2

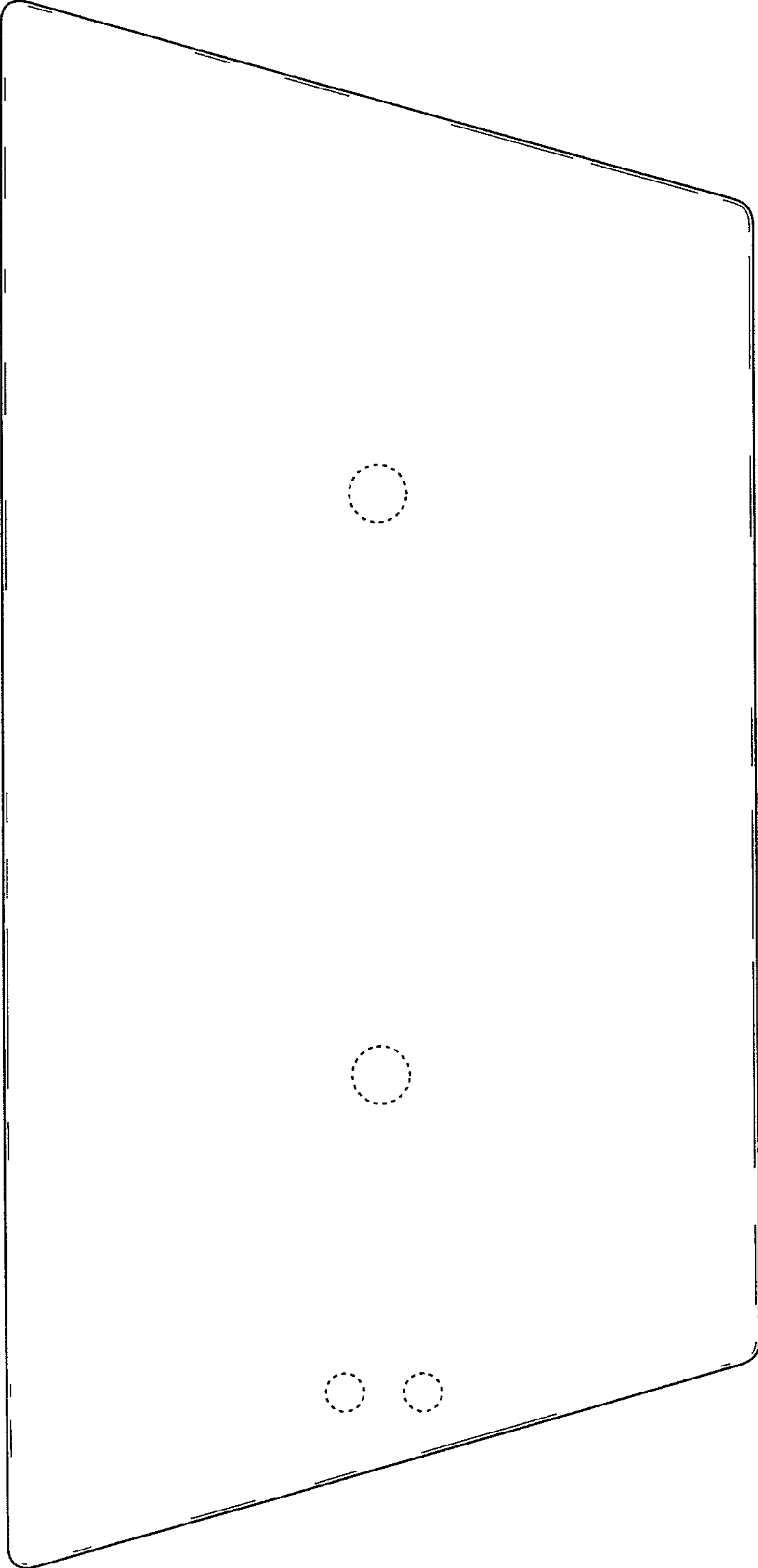


FIG. 3

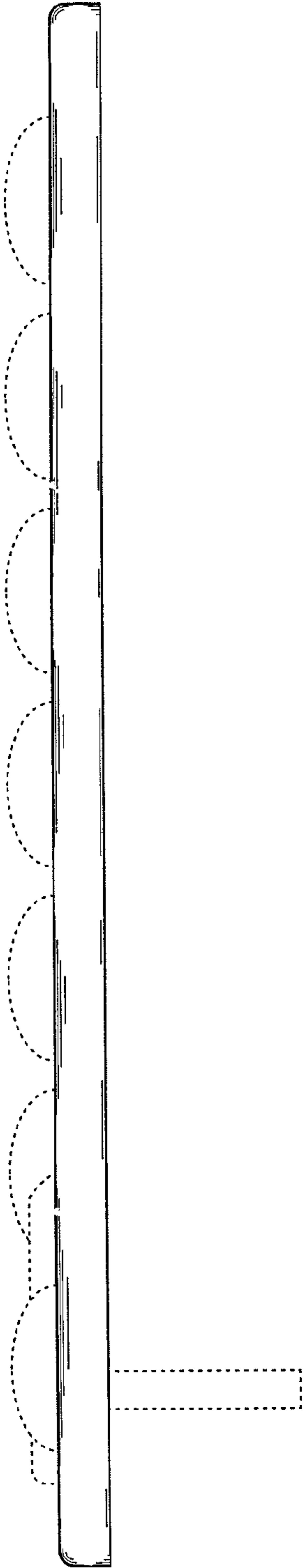


FIG. 4

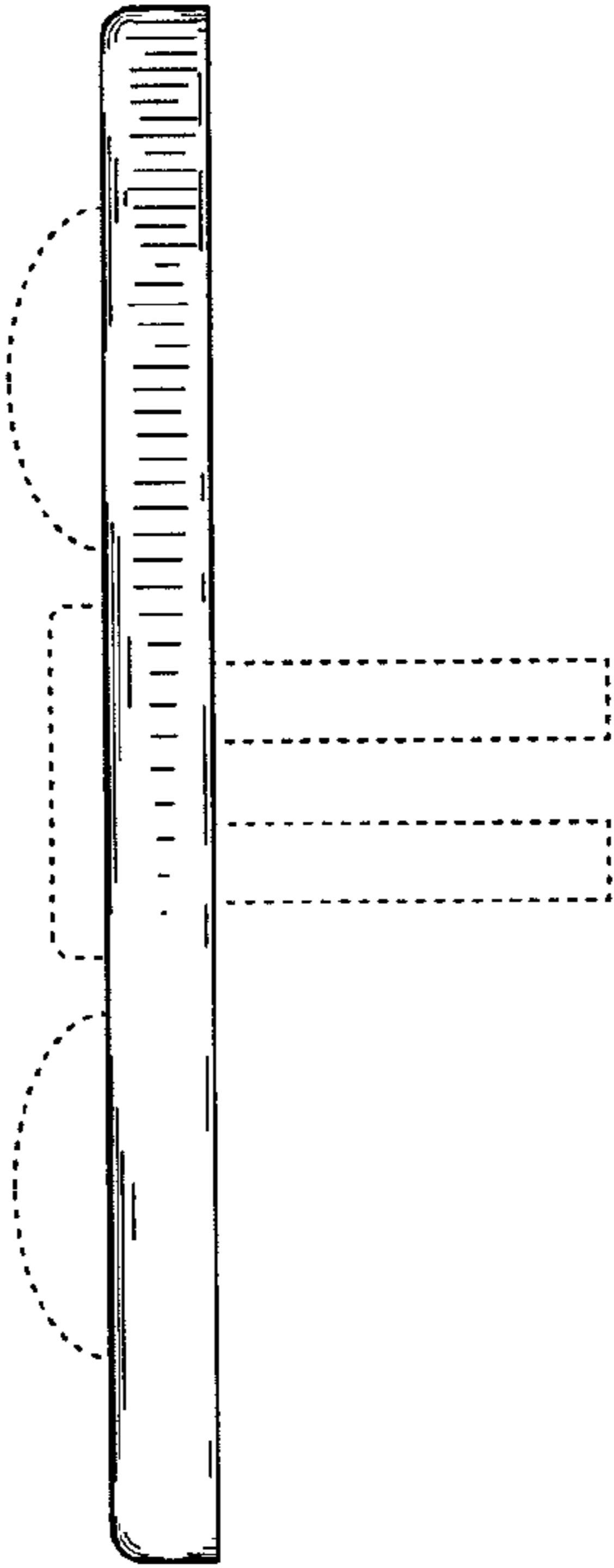


FIG. 5

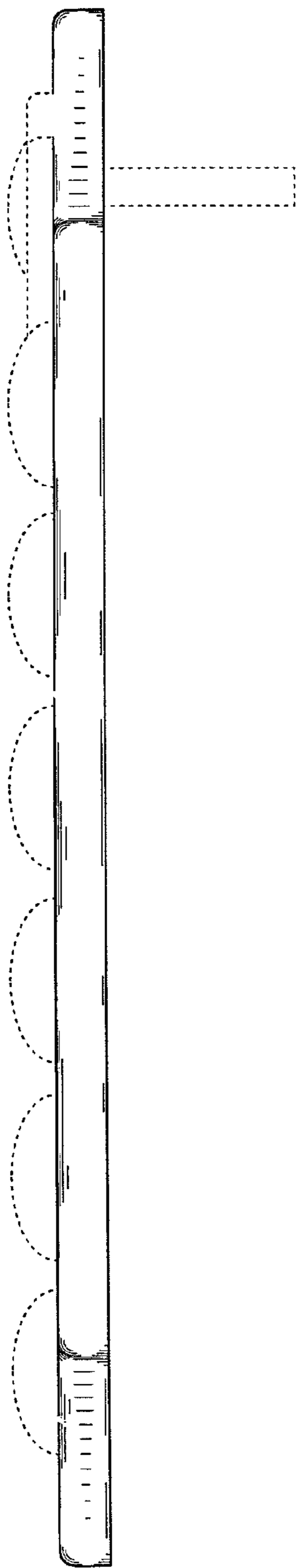


FIG. 6

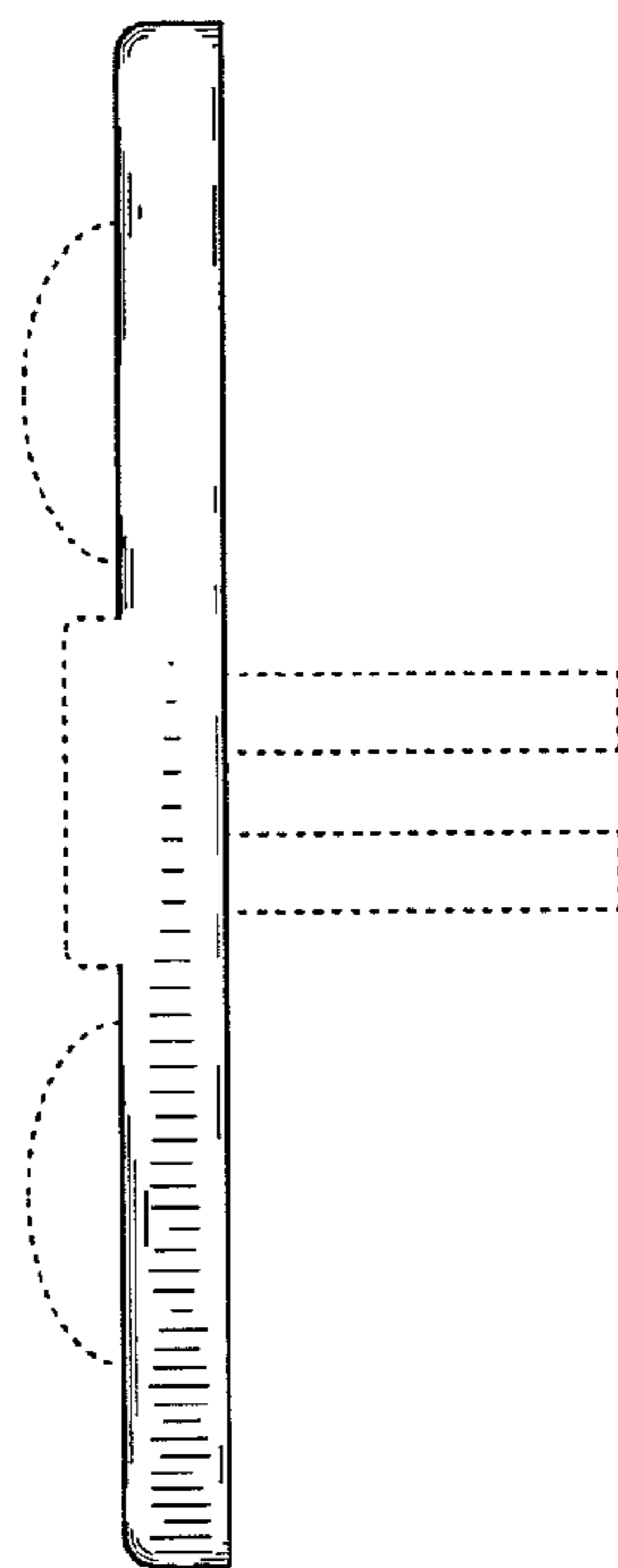


FIG. 7

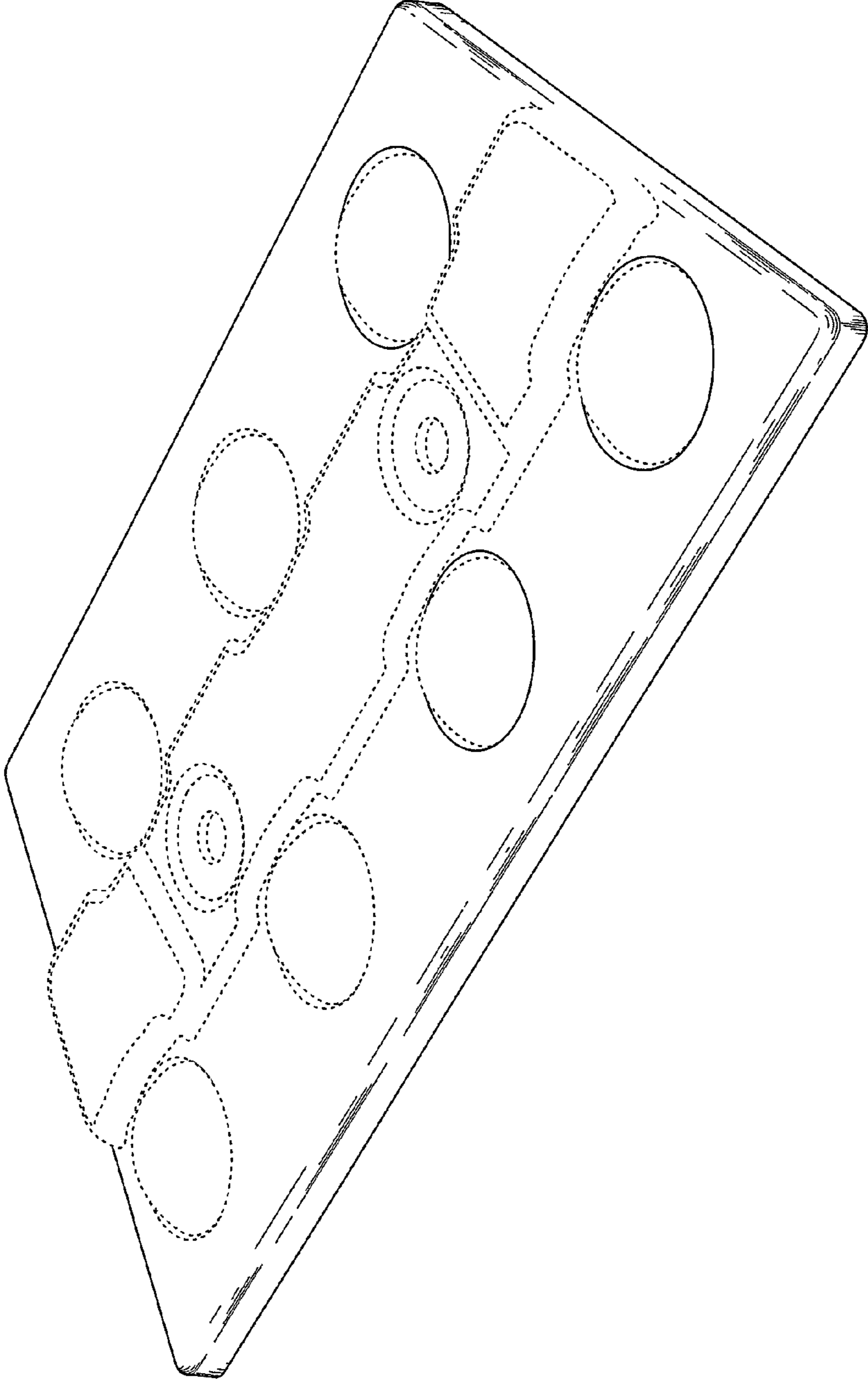


FIG. 8

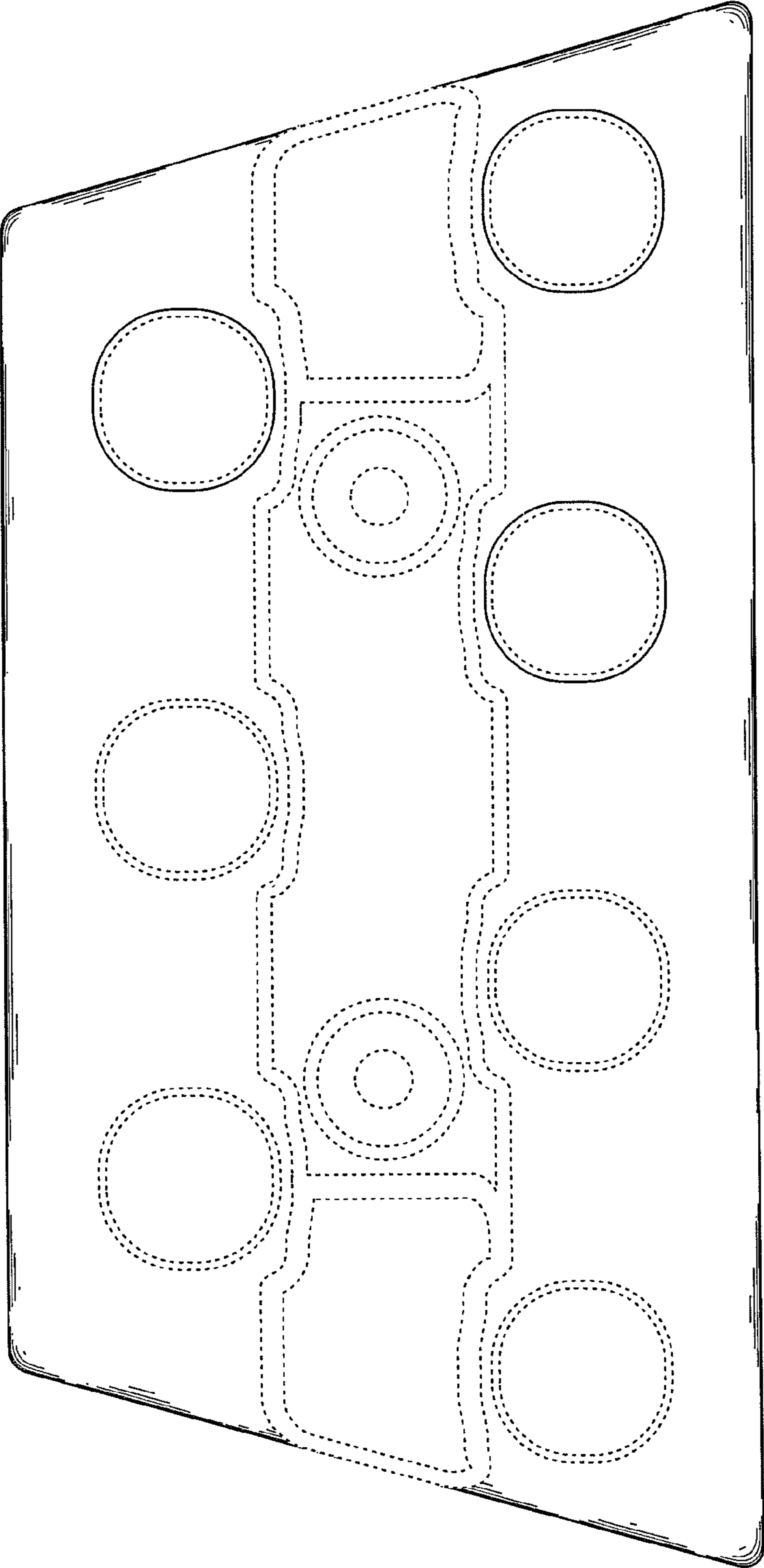


FIG. 9

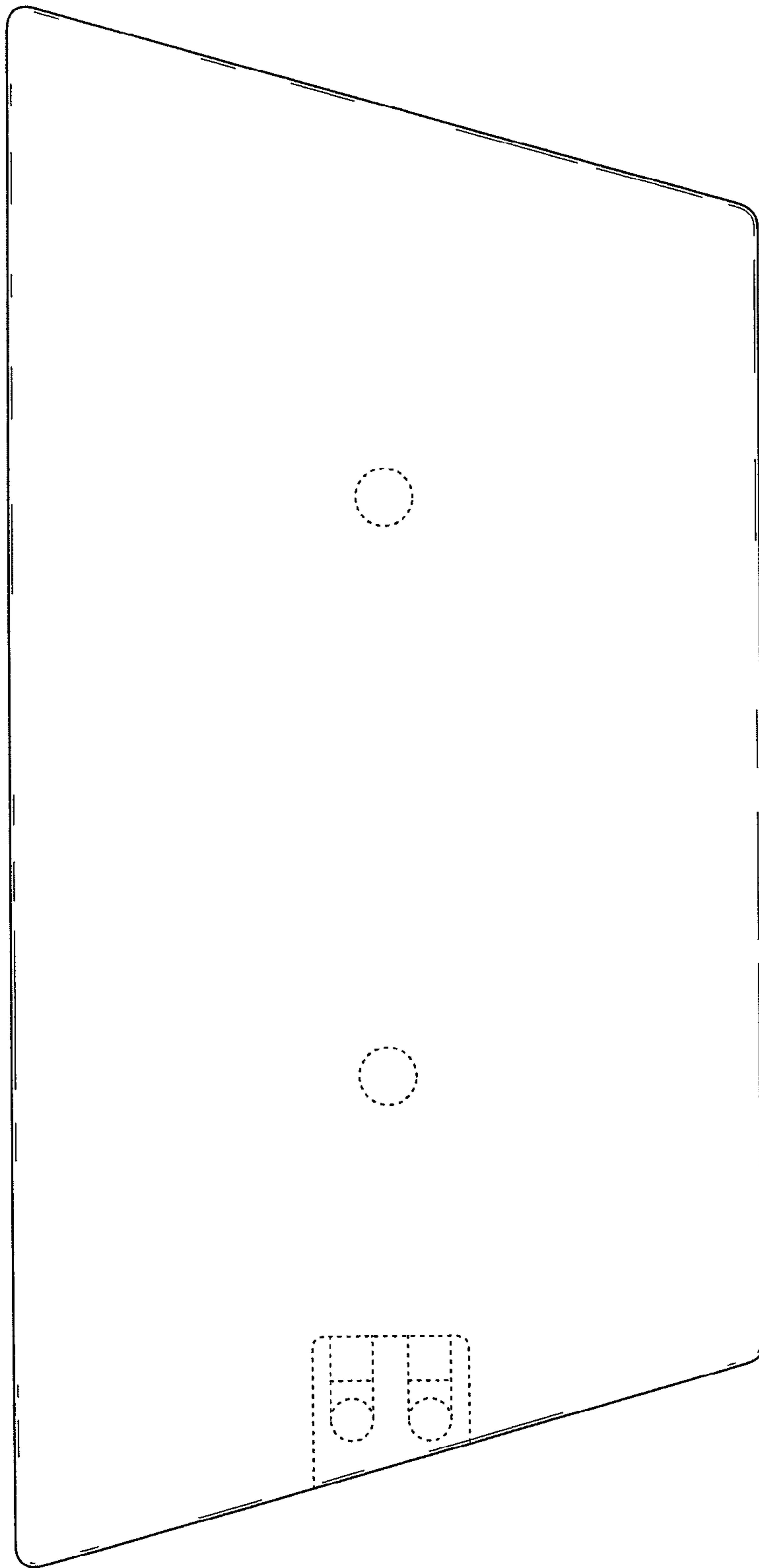


FIG. 10

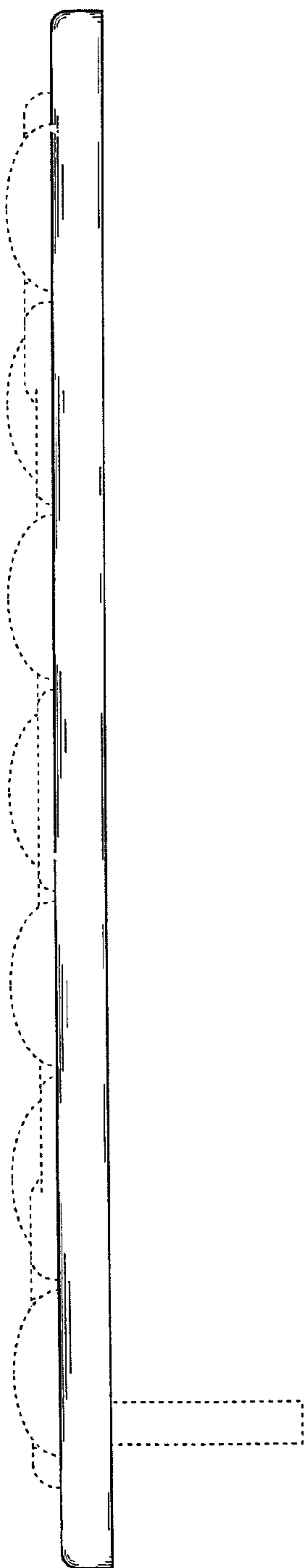


FIG. 11

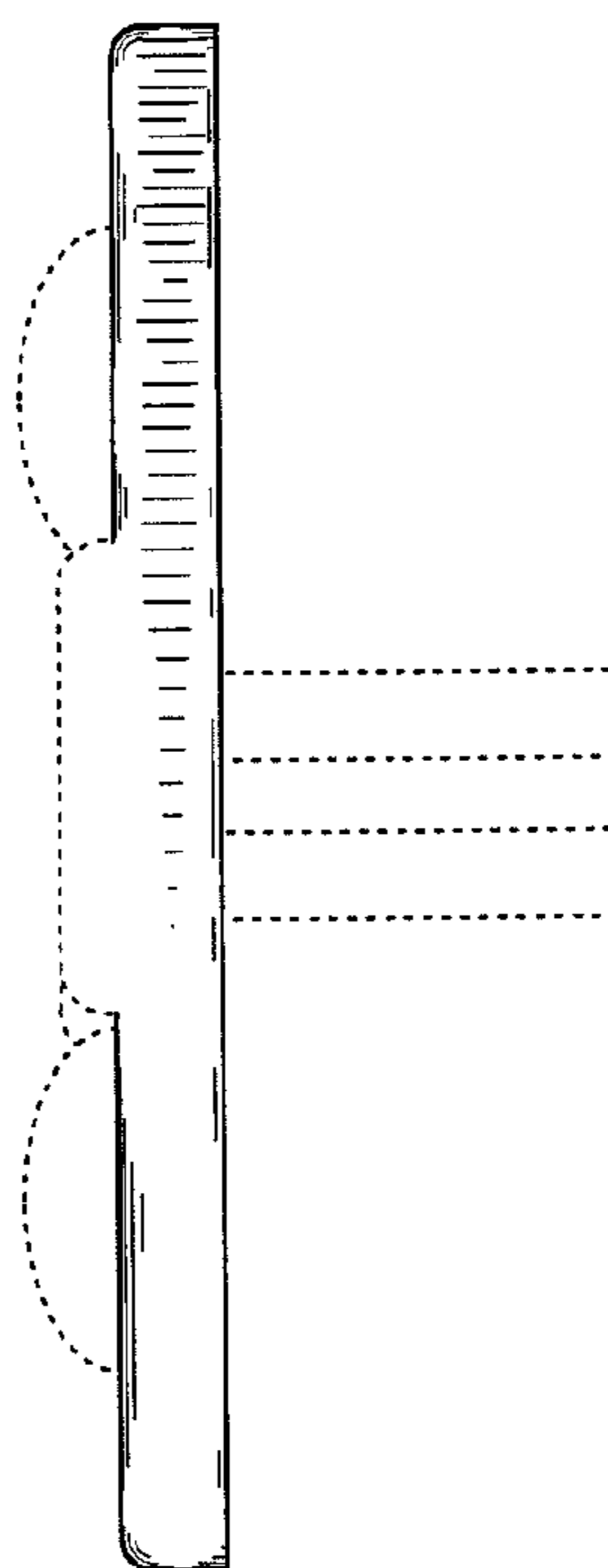


FIG. 12

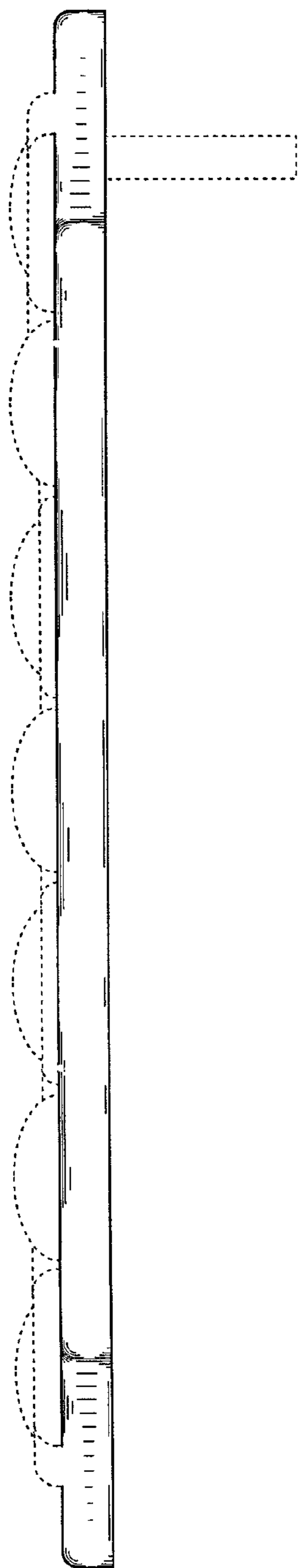


FIG. 13

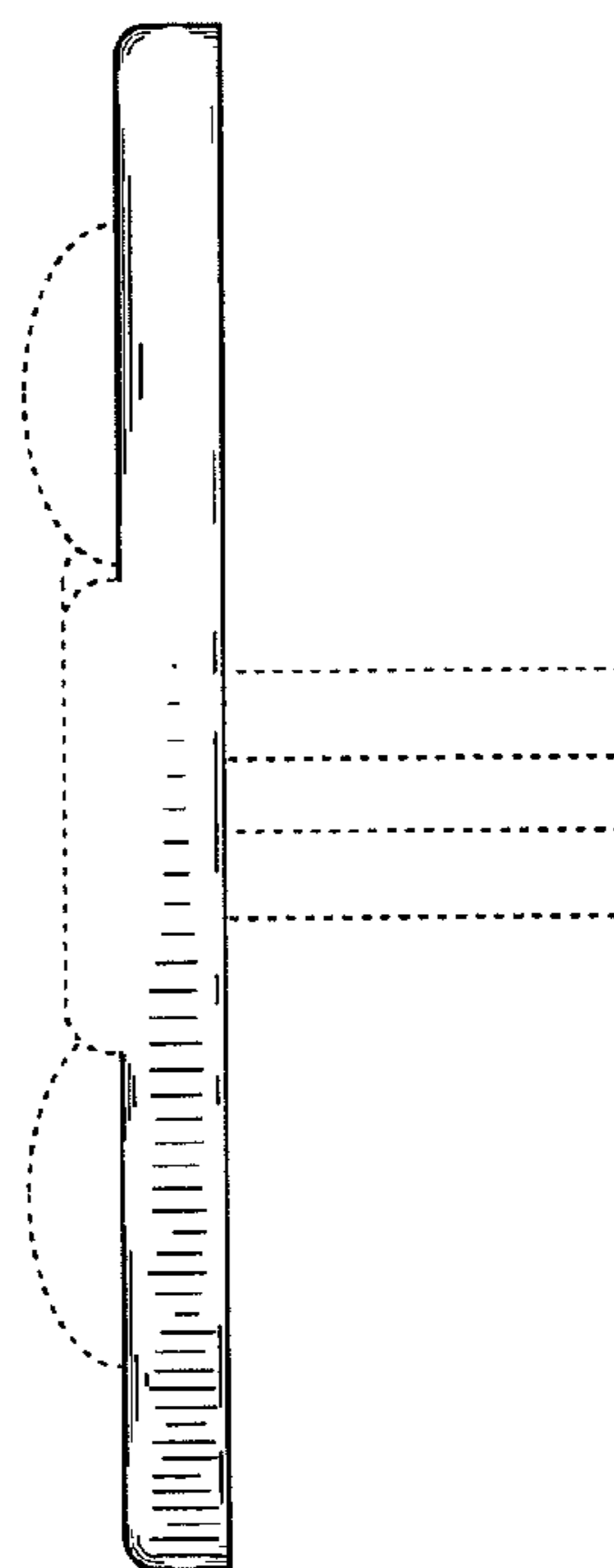


FIG. 14