



US00D700986S

(12) **United States Design Patent**
Chiou et al.

(10) **Patent No.:** **US D700,986 S**
(45) **Date of Patent:** **** Mar. 11, 2014**

(54) **LAMP**
(71) Applicant: **Everlight Electronics Co., Ltd.**, New Taipei (TW)
(72) Inventors: **Ying Tsung Chiou**, New Taipei (TW);
Feng-Ting Hsu, New Taipei (TW);
Meng-Ting Tsai, New Taipei (TW);
Chia-Hao Liang, New Taipei (TW)

D580,577 S 11/2008 Wang et al.
D603,077 S * 10/2009 Kinnune et al. D26/71
D614,336 S * 4/2010 Zheng et al. D26/71
D615,233 S * 5/2010 Josefowicz et al. D26/71
D619,747 S * 7/2010 Jung D26/71
D630,790 S * 1/2011 Josefowicz et al. D26/71
D648,473 S * 11/2011 Lin et al. D26/71
8,104,919 B2 * 1/2012 Wung et al. 362/217.12
8,246,196 B2 * 8/2012 Chung et al. 362/223
2009/0141494 A1 * 6/2009 Zhang et al. 362/249.03

(73) Assignee: **Everlight Electronics Co., Ltd.** (TW)
(**) Term: **14 Years**
(21) Appl. No.: **29/447,766**
(22) Filed: **Mar. 6, 2013**

FOREIGN PATENT DOCUMENTS

JP 1363404 6/2009
JP 1363659 6/2009
JP 1407764 2/2011
TW 128036 3/2009
TW 128037 3/2009
TW 139542 3/2011
TW 150720 12/2012

* cited by examiner

Related U.S. Application Data

(62) Division of application No. 29/405,726, filed on Nov. 4, 2011.
(51) **LOC (10) Cl.** **26-05**
(52) **U.S. Cl.**
USPC **D26/71**
(58) **Field of Classification Search**
USPC D26/61, 63, 65, 67-72, 84, 89, 92;
362/249.01-249.06, 294, 373, 431
See application file for complete search history.

Primary Examiner — Clare E Heflin

(57) **CLAIM**

The ornamental design for a lamp, as shown and described.

DESCRIPTION

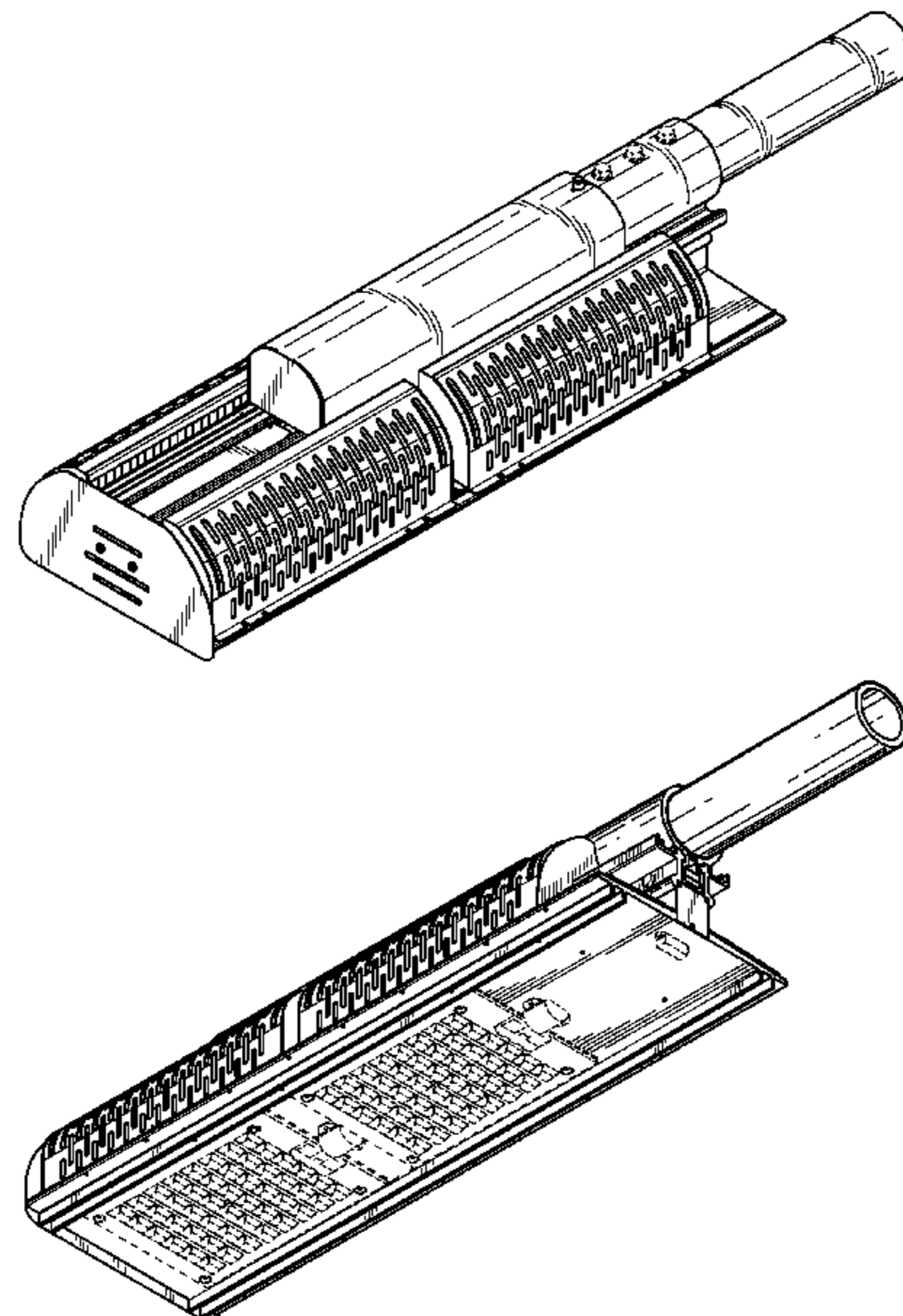
FIG. 1 is a first perspective view of a lamp incorporating a design according to an embodiment of the present disclosure; FIG. 2 is a second perspective view thereof; FIG. 3 is a right side elevational view thereof; FIG. 4 is a left side elevational view thereof; FIG. 5 is a front elevational view thereof; FIG. 6 is a rear elevational view thereof; FIG. 7 is a top plan view thereof; FIG. 8 is a bottom plan view thereof; and, FIG. 9 is a rear perspective view thereof. The broken lines shown on the drawings depict portions of the lamp that form no part of the claimed design.

(56) **References Cited**

U.S. PATENT DOCUMENTS

D119,792 S * 4/1940 Pieper D26/63
2,916,609 A * 12/1959 Freier et al. 362/374
D304,088 S * 10/1989 Kelley et al. D26/24
D323,897 S 2/1992 Compton
D437,958 S 2/2001 Doron, Jr. et al.
D442,313 S 5/2001 Wojtkowiak et al.
D492,441 S * 6/2004 Bradford et al. D26/92
D556,935 S 12/2007 Quioque et al.

1 Claim, 6 Drawing Sheets



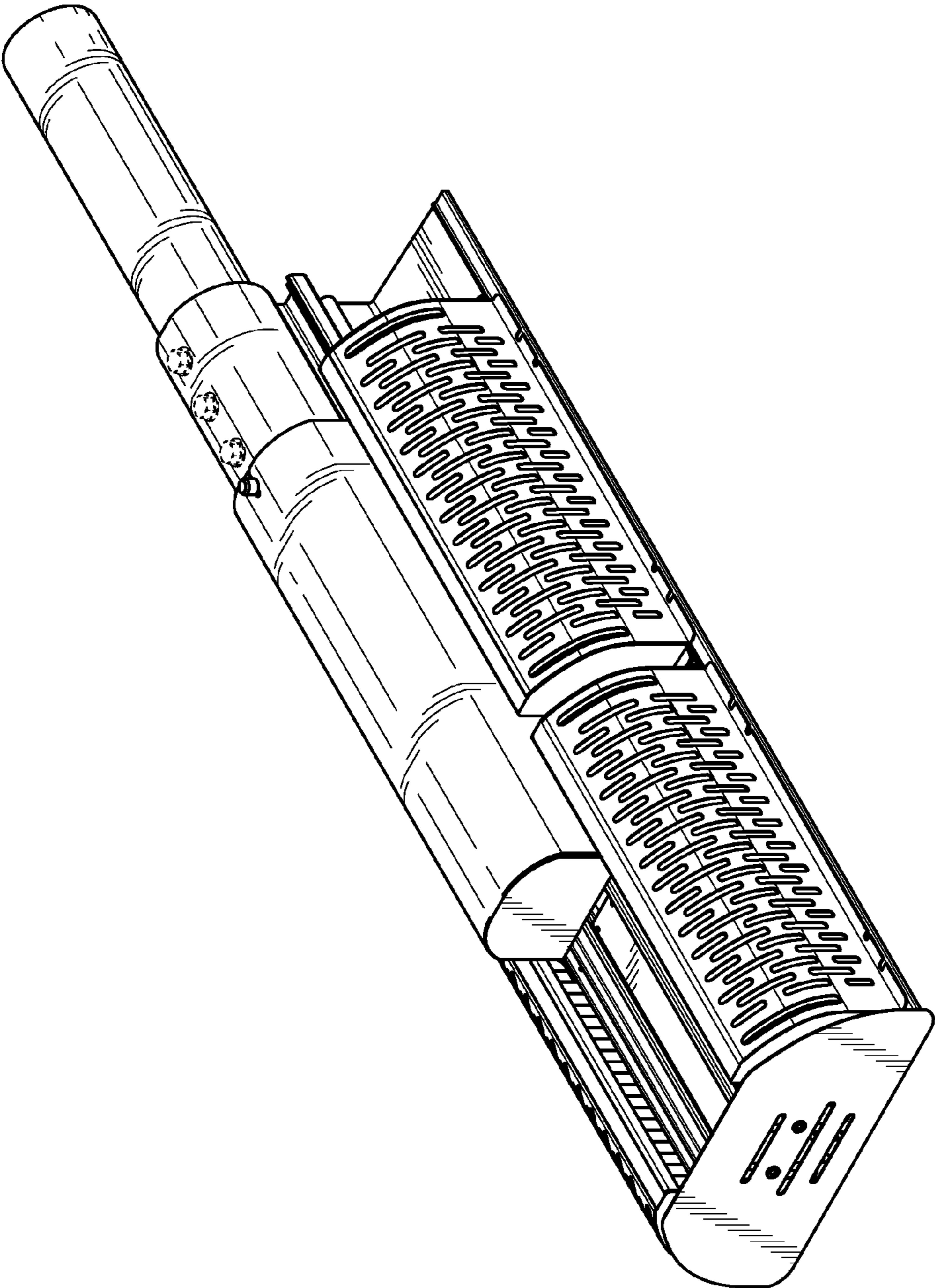


FIG. 1

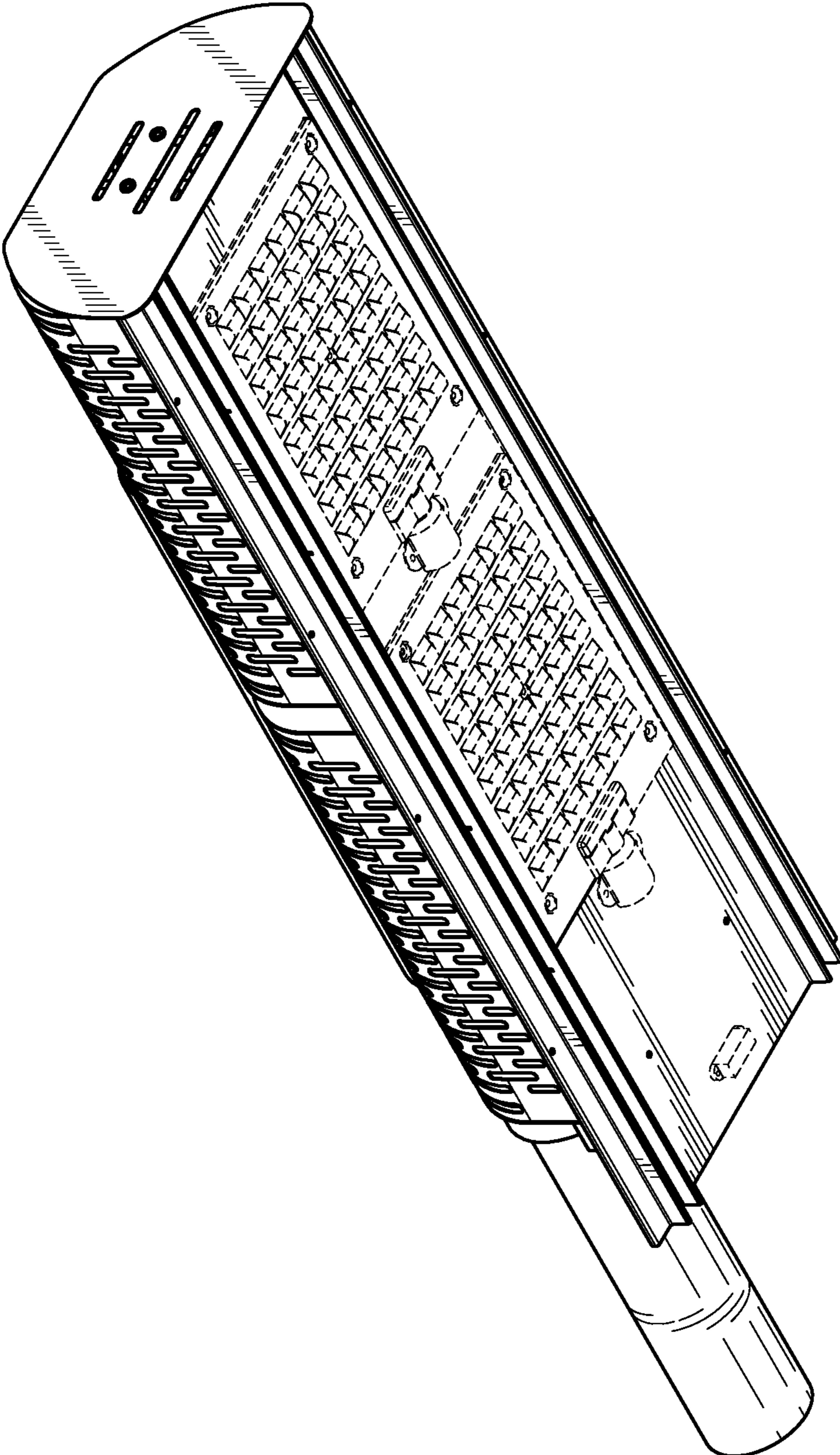


FIG. 2

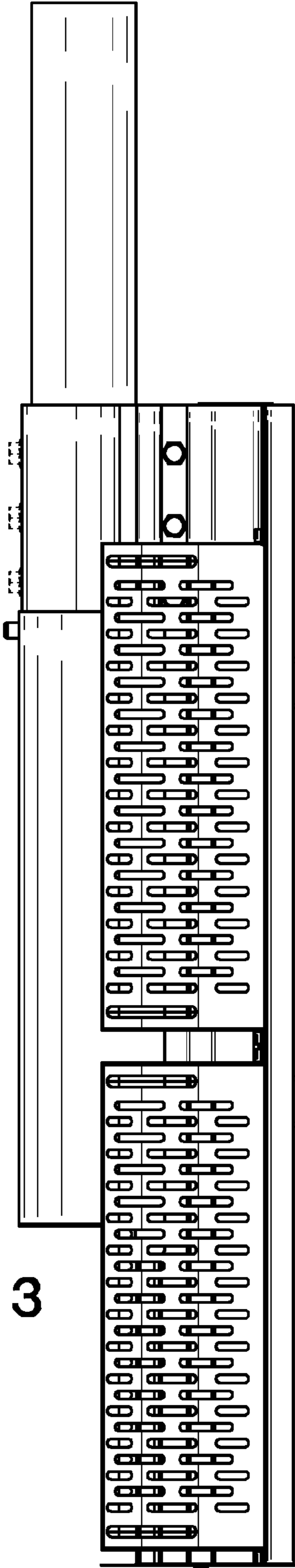


FIG. 3

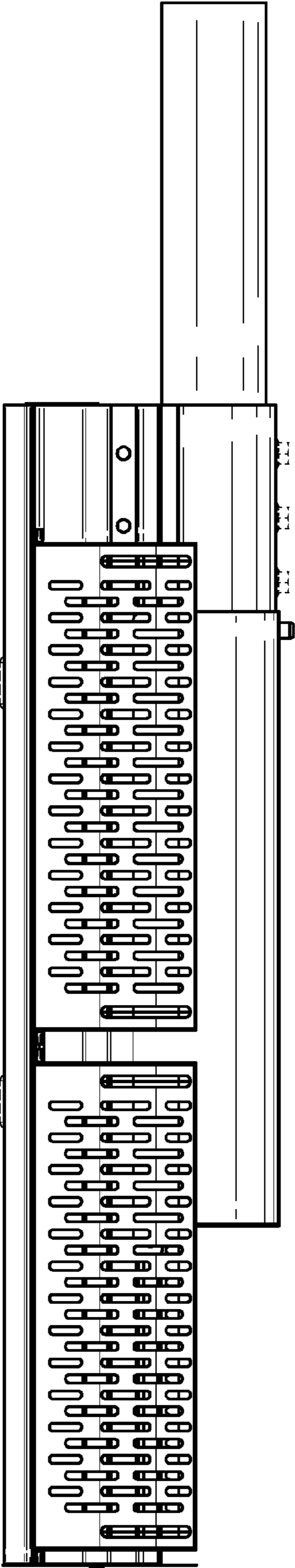


FIG. 4

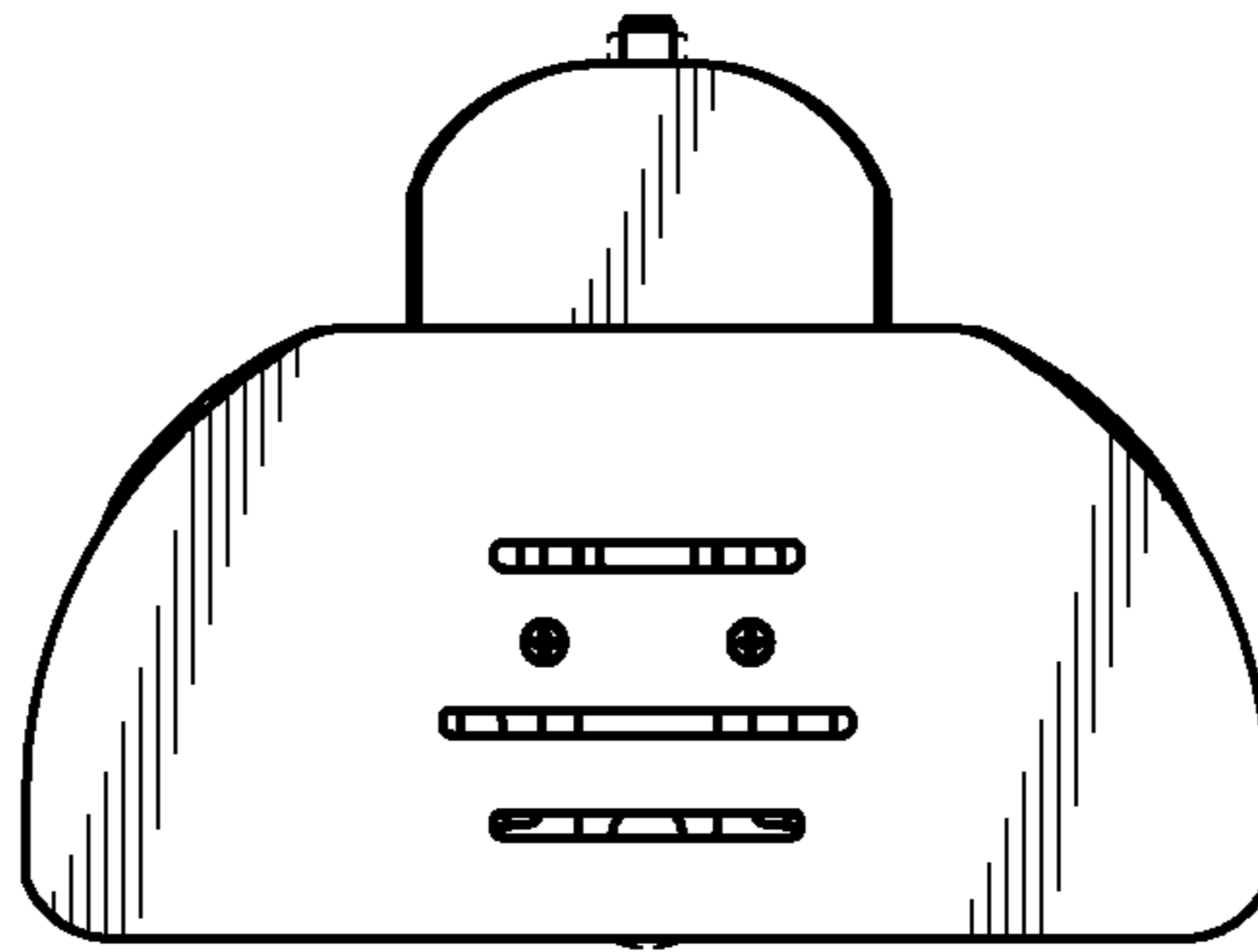


FIG. 5

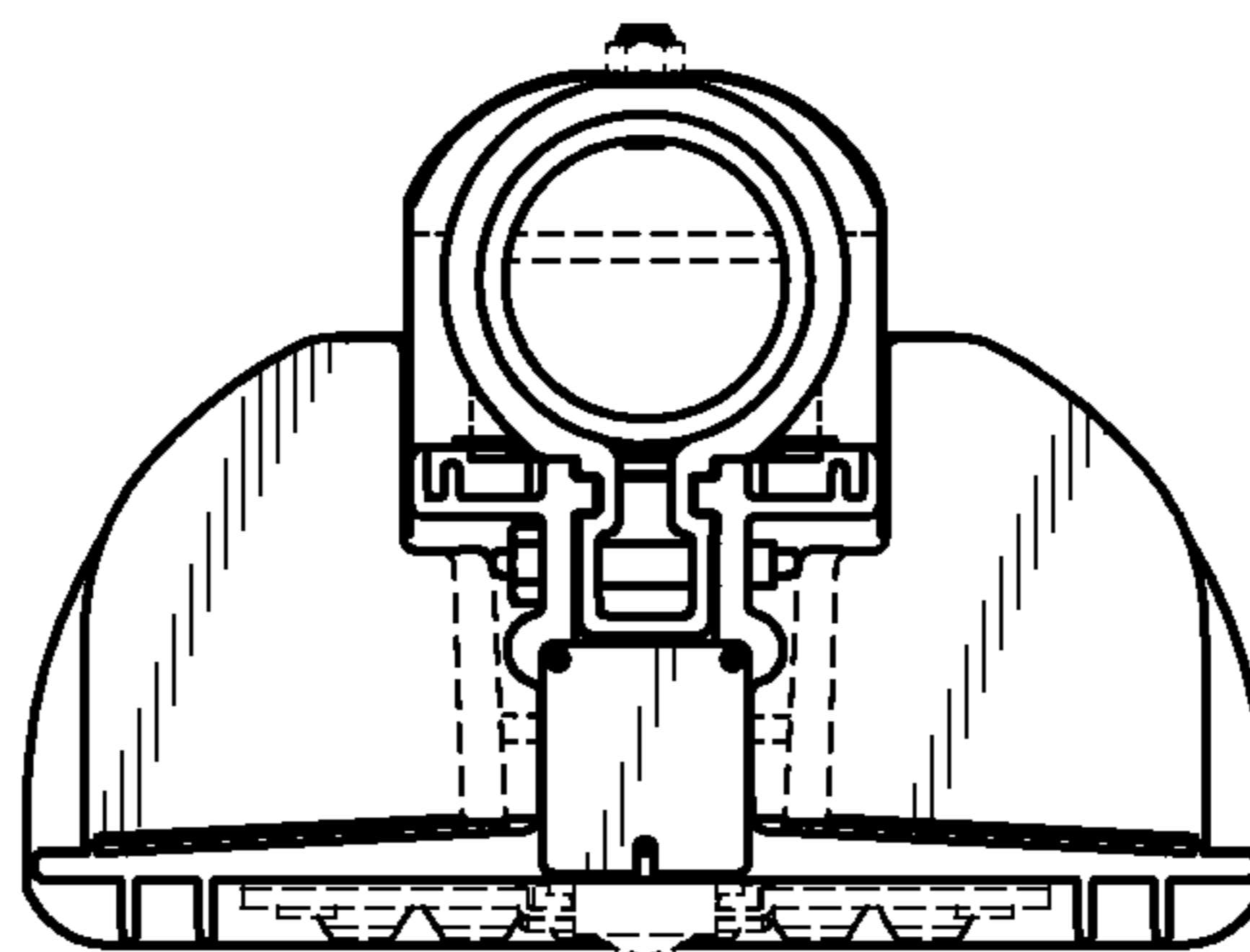


FIG. 6

FIG. 7

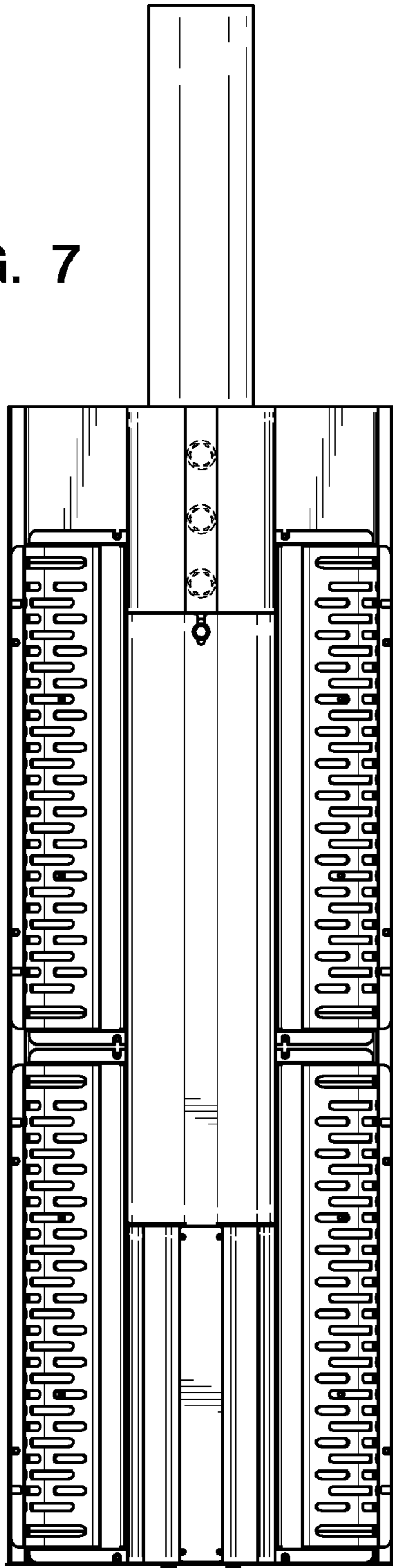
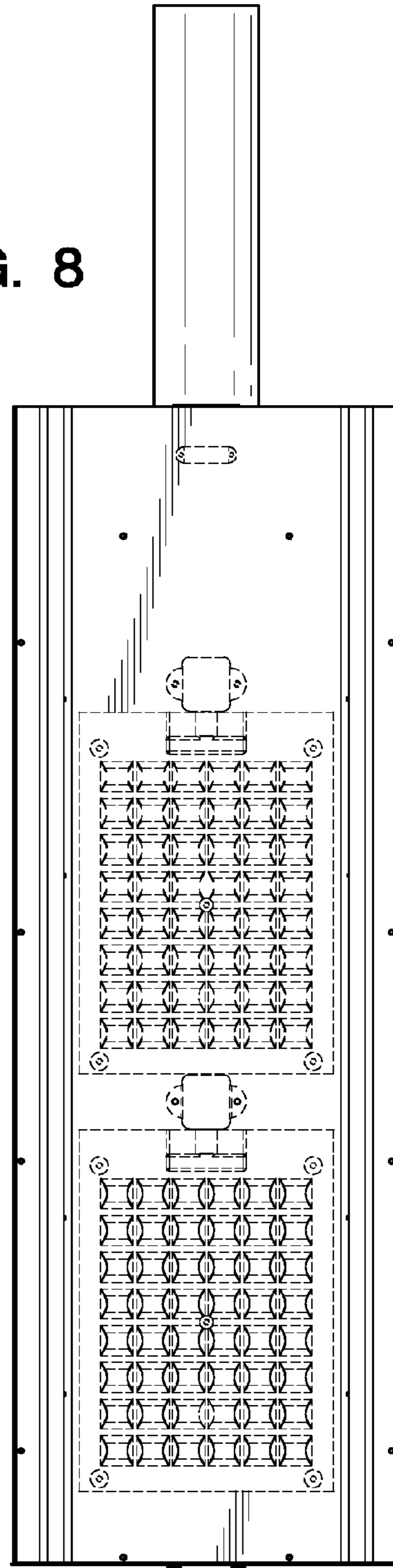


FIG. 8



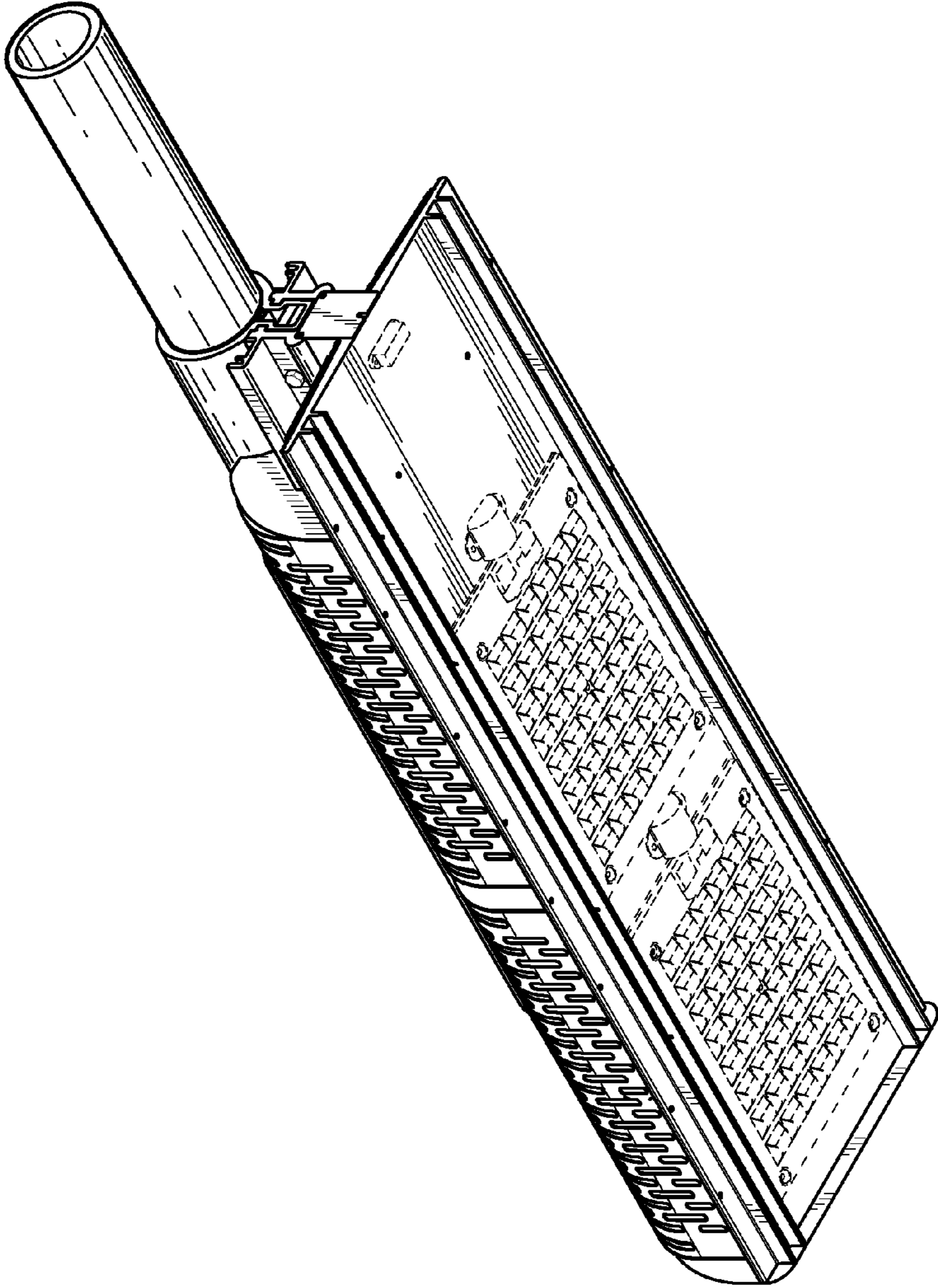


FIG. 9