



US00D700980S

(12) **United States Design Patent**
Oostdyk et al.

(10) **Patent No.:** **US D700,980 S**
(45) **Date of Patent:** **** Mar. 11, 2014**

(54) **COMPACT LAMP**

(71) Applicant: **Lighting Science Group Corporation,**
Satellite Beach, FL (US)

(72) Inventors: **Mark Andrew Oostdyk,** Cape
Canaveral, FL (US); **Addy S. Widjaja,**
Palm Bay, FL (US); **Ran Zhou,**
Rockledge, FL (US); **Fredric S. Maxik,**
Indialantic, FL (US); **David E. Bartine,**
Cocoa, FL (US)

(73) Assignee: **Lighting Science Group Corporation,**
Satellite Beach, FL (US)

(**) Term: **14 Years**

(21) Appl. No.: **29/452,779**

(22) Filed: **Apr. 22, 2013**

(51) **LOC (10) Cl.** **26-04**

(52) **U.S. Cl.**
USPC **D26/2**

(58) **Field of Classification Search**
USPC D26/1-4; 313/313, 315, 316, 317, 318,
313/493; 315/52, 53, 56, 57, 58
See application file for complete search history.

(56) **References Cited**

U.S. PATENT DOCUMENTS

D433,166 S	*	10/2000	Noll	D26/2
D435,306 S	*	12/2000	McBride	D26/2
D498,007 S	*	11/2004	Bobel	D26/2
D534,664 S	*	1/2007	Geens	D26/2
D539,443 S	*	3/2007	Kwong et al.	D26/2

D545,456 S	*	6/2007	Foo	D26/2
D581,555 S	*	11/2008	To et al.	D26/2
D635,280 S	*	3/2011	Chao	D26/2
D645,580 S	*	9/2011	Yoshinobu	D26/2
D657,075 S	*	4/2012	Guohui	D26/2
D667,149 S	*	9/2012	Chun et al.	D26/2

* cited by examiner

Primary Examiner — Marcus Jackson

(74) *Attorney, Agent, or Firm* — Mark R. Malek; Zies
Widerman & Malek

(57) **CLAIM**

The ornamental design for a compact lamp, as shown and
described.

DESCRIPTION

FIG. 1 is a perspective view of a compact lamp according to
the present invention.

FIG. 2 is another perspective view of the compact lamp illus-
trated in FIG. 1.

FIG. 3 is a front elevation view of the compact lamp illus-
trated in FIG. 1.

FIG. 4 is a rear elevation view of the compact lamp illustrated
in FIG. 1.

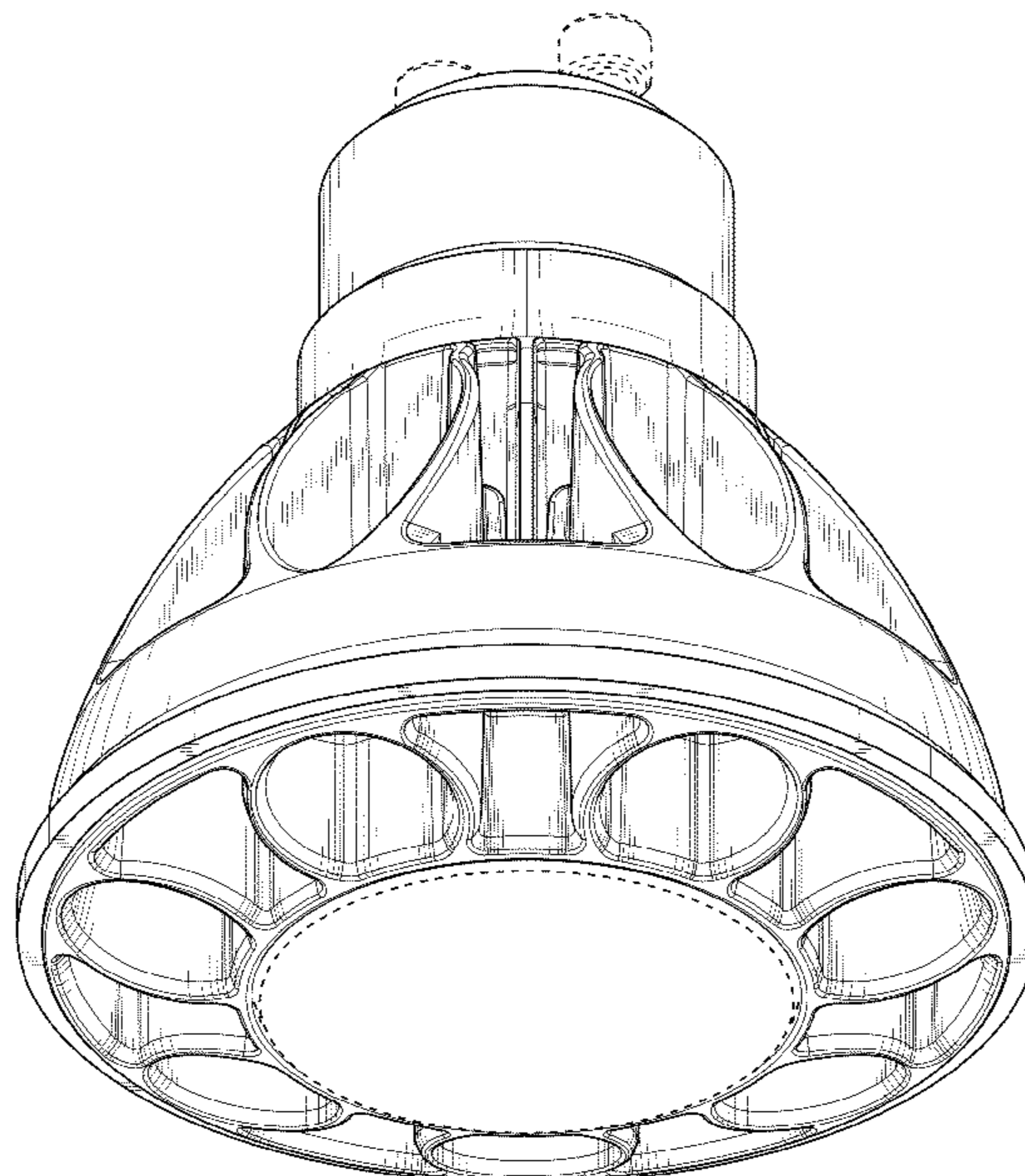
FIG. 5 is a side elevation view of the compact lamp illustrated
in FIG. 1.

FIG. 6 is a bottom plan view of the compact lamp illustrated
in FIG. 1; and,

FIG. 7 is a top plan view of the compact lamp illustrated in
FIG. 1.

The broken lines depict elements of the compact lamp that do
not form a claimed feature of the present invention.

1 Claim, 7 Drawing Sheets



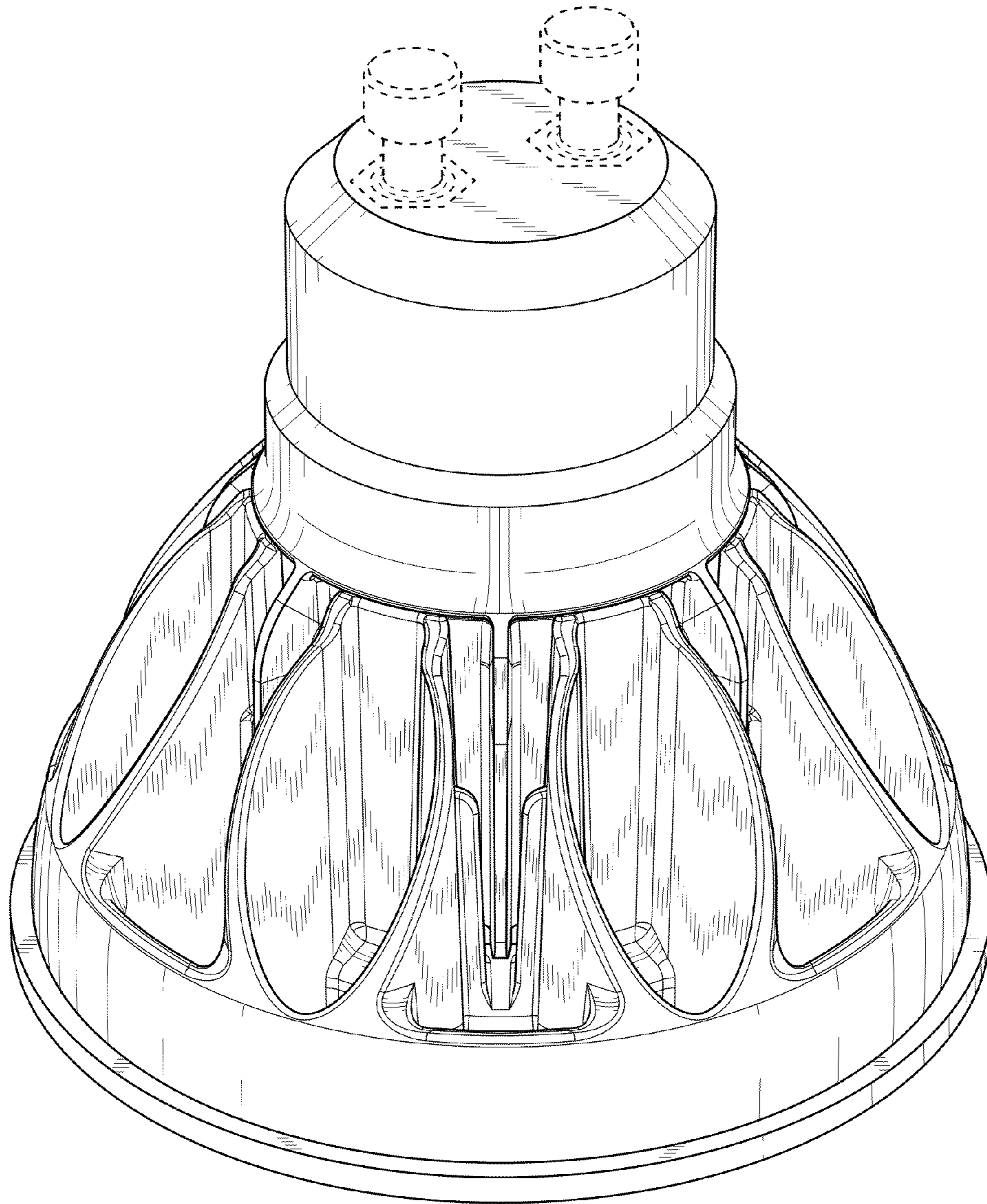


FIG. 1

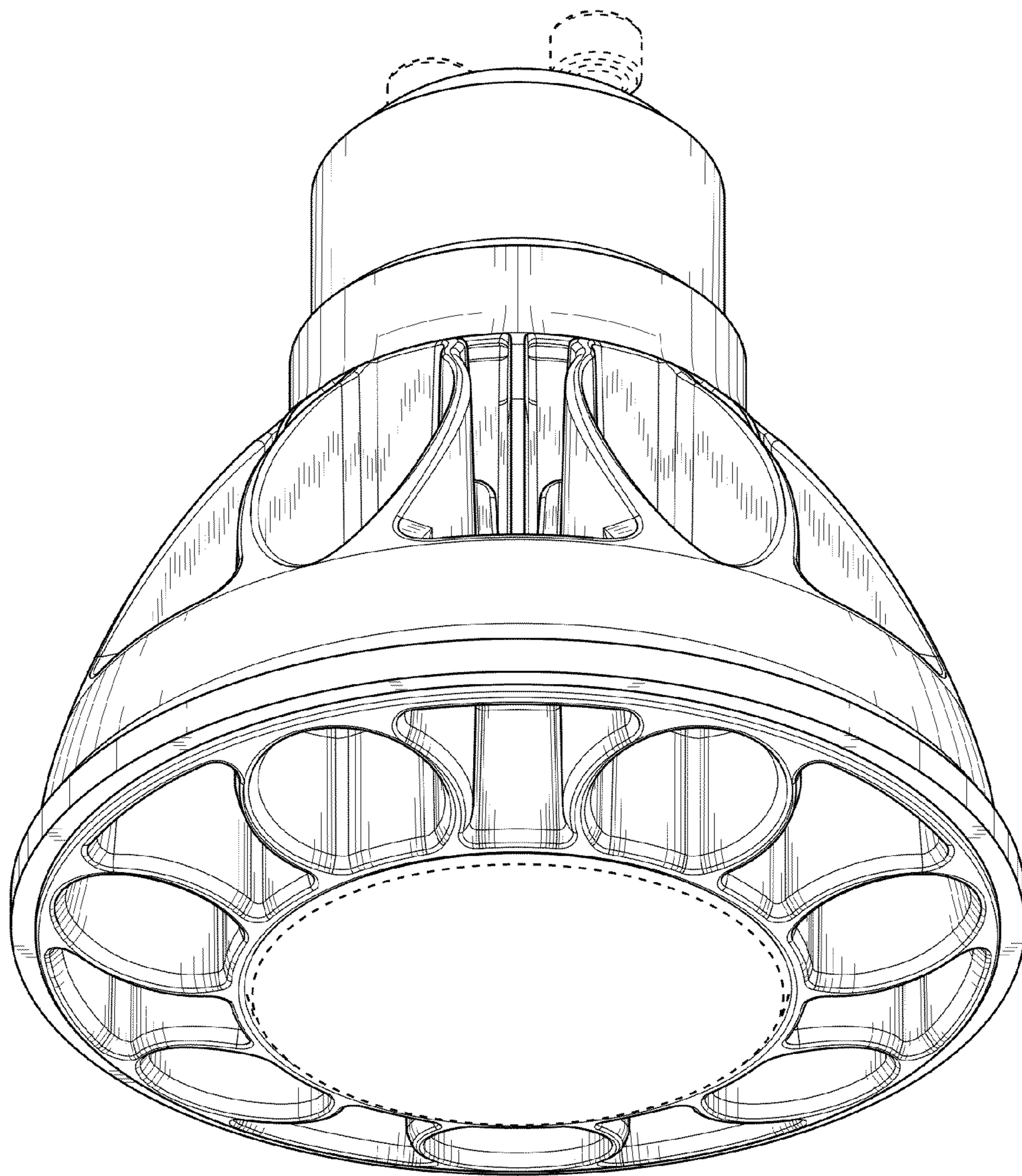


FIG. 2

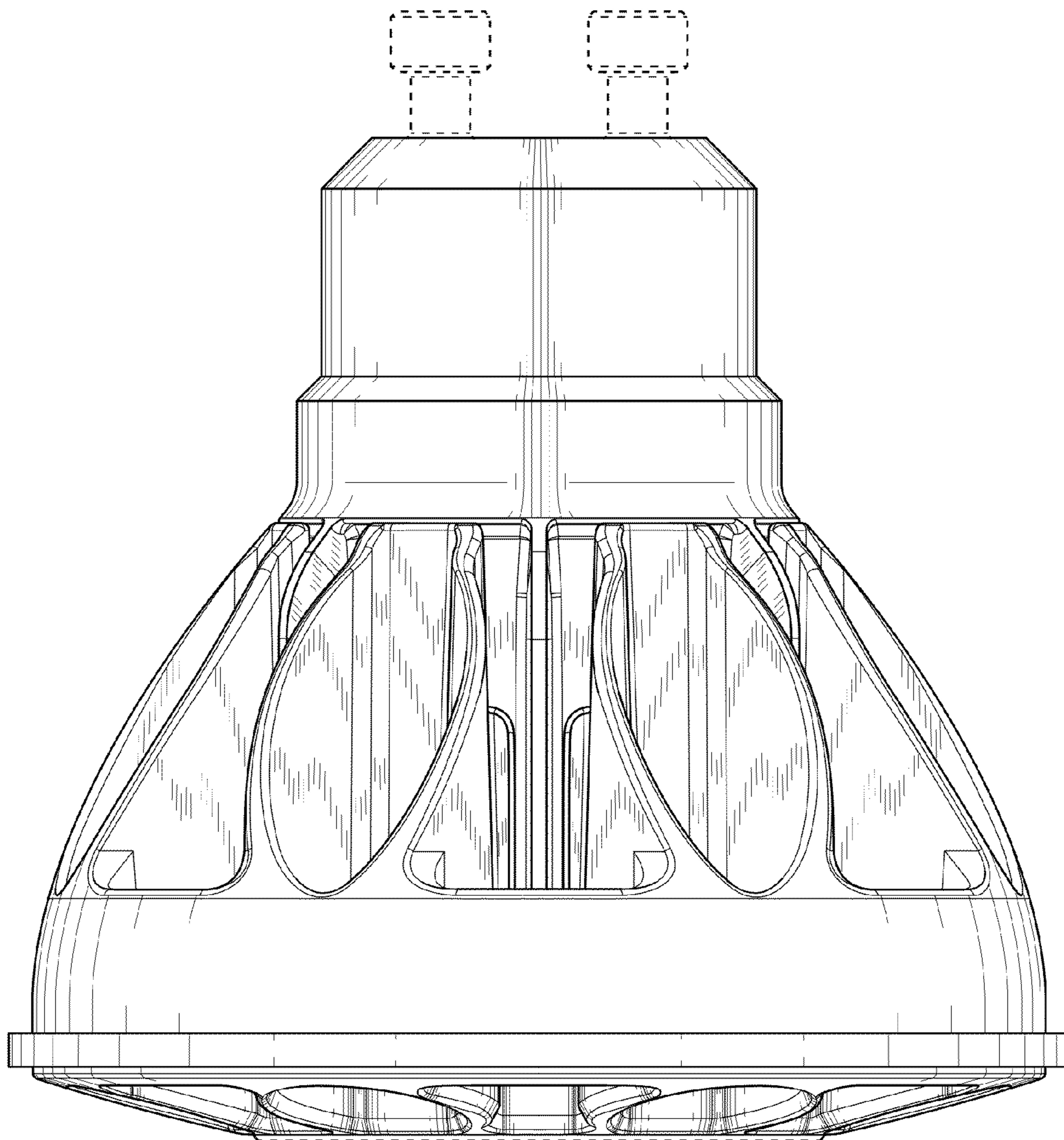


FIG. 3

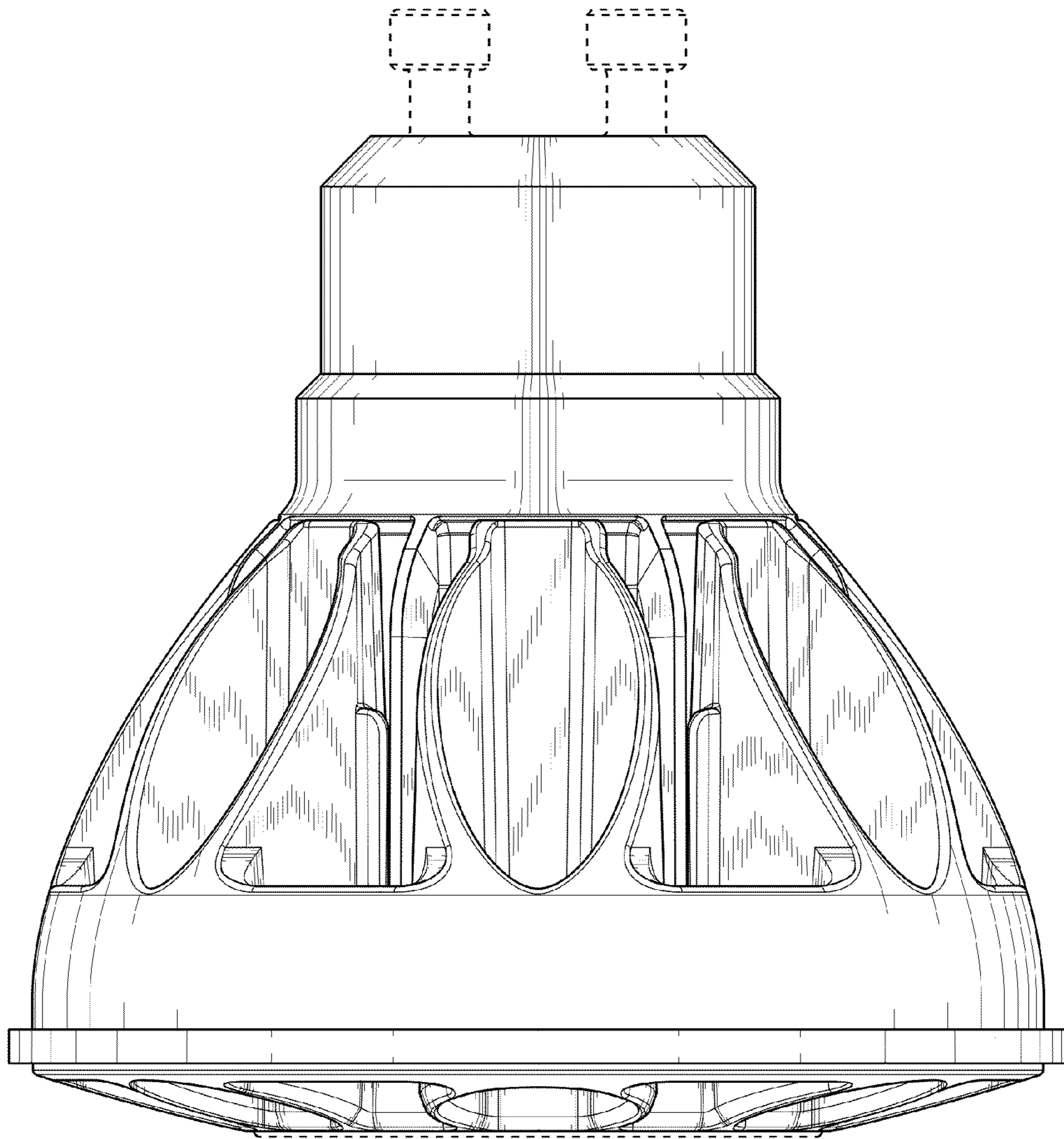


FIG. 4

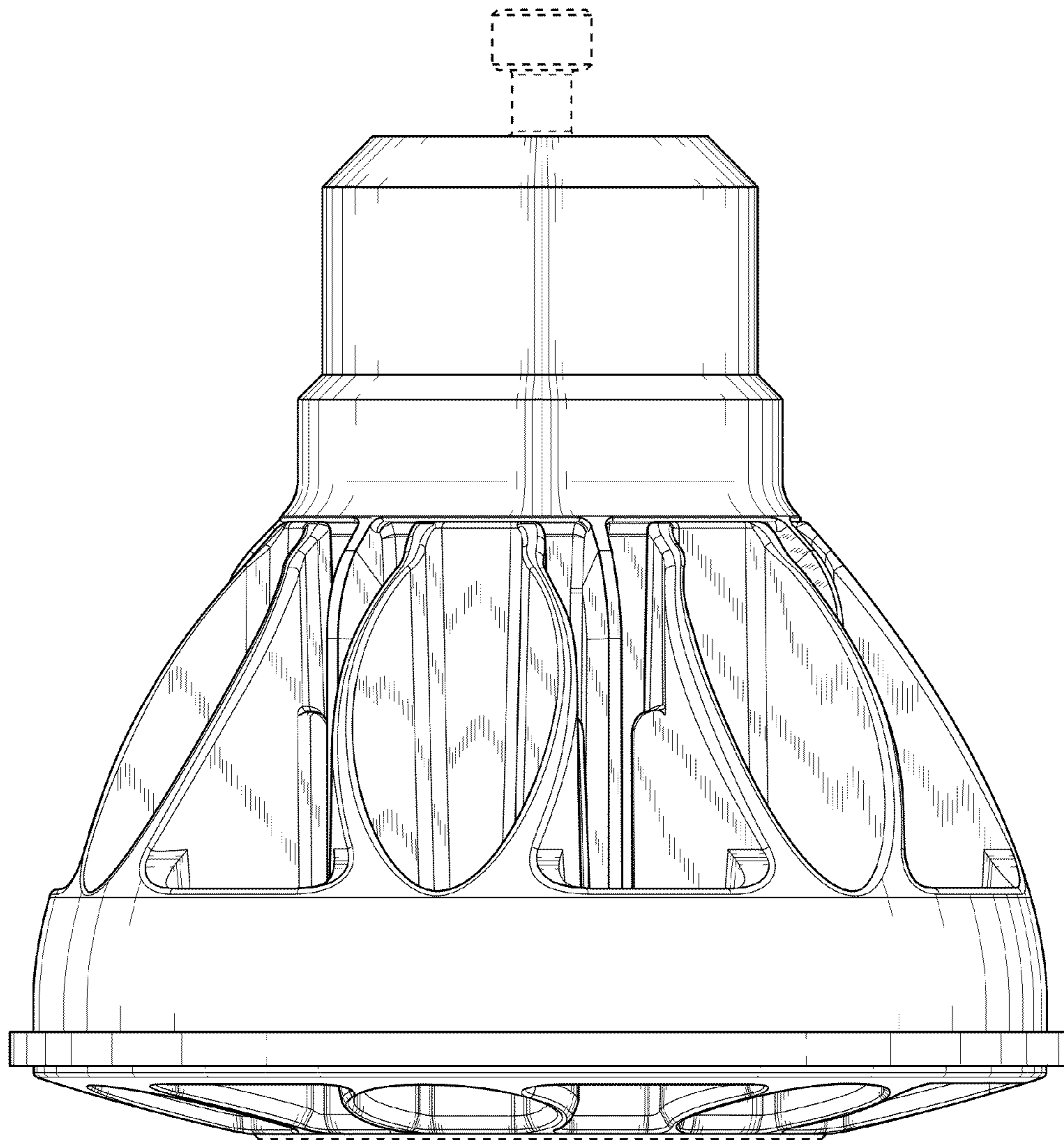


FIG. 5

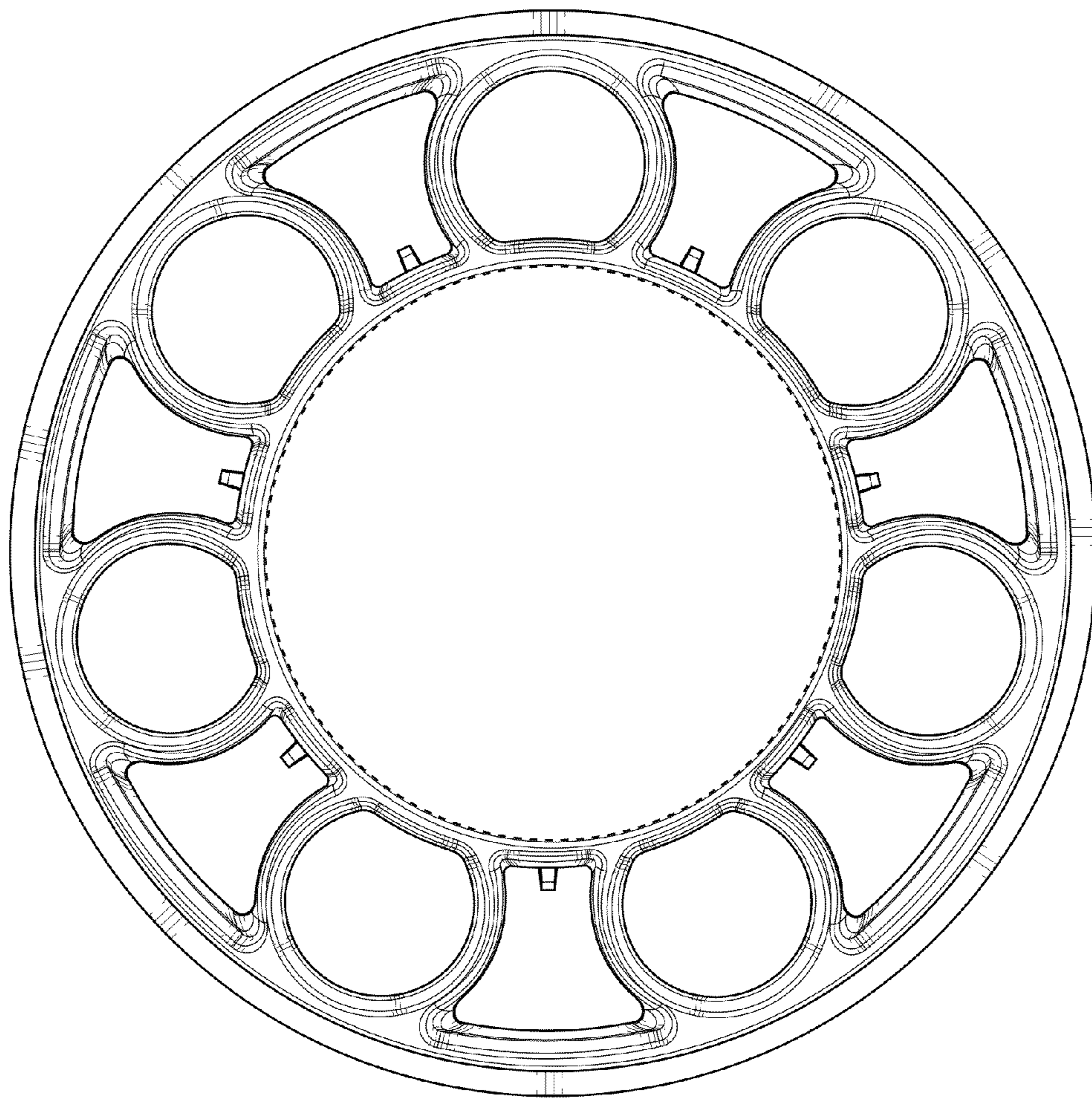


FIG. 6

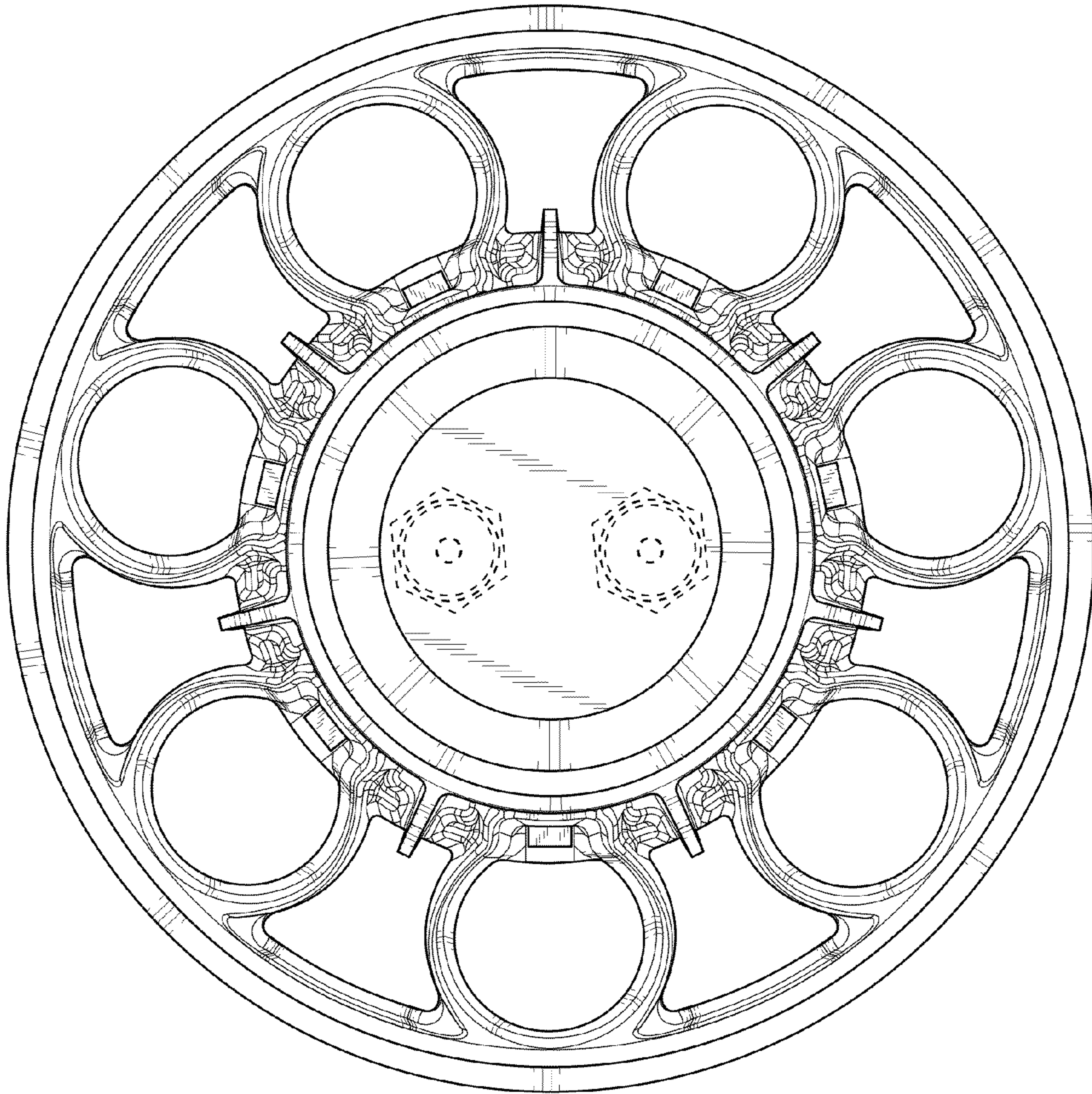


FIG. 7