



US00D700976S

(12) **United States Design Patent**
Casella

(10) **Patent No.:** **US D700,976 S**
(45) **Date of Patent:** **** Mar. 11, 2014**

(54) **DOCK LADDER**

(71) Applicant: **The Lake Docktors, LLC**, Sunrise Beach, MO (US)

(72) Inventor: **Samuel J. Casella**, Sunrise Beach, MO (US)

(73) Assignee: **The Lake Docktors, LLC**, Sunrise Beach, MO (US)

(**) Term: **14 Years**

(21) Appl. No.: **29/440,090**

(22) Filed: **Dec. 19, 2012**

(51) **LOC (10) Cl.** **25-04**

(52) **U.S. Cl.**
USPC **D25/64**

(58) **Field of Classification Search**
USPC D25/64; 182/206, 93, 64.1, 186.7,
182/180.1, 194, 189, 105, 115, 116, 113,
182/112; 114/362

See application file for complete search history.

(56) **References Cited**

U.S. PATENT DOCUMENTS

D176,238	S	*	11/1955	Wallace et al.	D25/64
4,365,689	A		12/1982	Dever		
4,768,618	A		9/1988	Ritten		
5,044,465	A		9/1991	Rinke		
5,065,840	A		11/1991	Cadigan		
5,113,782	A	*	5/1992	McCarty	114/362
D359,470	S		6/1995	Allyn		
6,058,875	A	*	5/2000	Krish, Jr.	114/362
6,237,523	B1		5/2001	Day et al.		
6,422,340	B1		7/2002	Grundler		
D499,190	S		11/2004	Garellick et al.		
6,845,845	B2		1/2005	Schmid, Jr.		
6,907,957	B1		6/2005	Couch		
6,962,125	B1		11/2005	Wesley		

D635,690 S 4/2011 Casella
2001/0023659 A1 9/2001 Nixon
2003/0066475 A1 4/2003 Nixon
2003/0106173 A1 6/2003 Miller

* cited by examiner

Primary Examiner — Doris Clark

(74) *Attorney, Agent, or Firm* — Thompson Coburn LLP

(57) **CLAIM**

I claim the ornamental design of a dock ladder, as shown and described.

DESCRIPTION

FIG. 1 is a front view of the dock ladder design of the invention depicting the dock ladder in its deployed configuration. FIG. 2 is a left side view of the dock ladder design of the invention depicting the dock ladder in its deployed configuration.

FIG. 3 is a top view of the dock ladder design of the invention depicting the dock ladder in its deployed configuration.

FIG. 4 is a perspective view showing the top, front, and right side of the dock ladder design of the invention depicting the dock ladder in its deployed configuration.

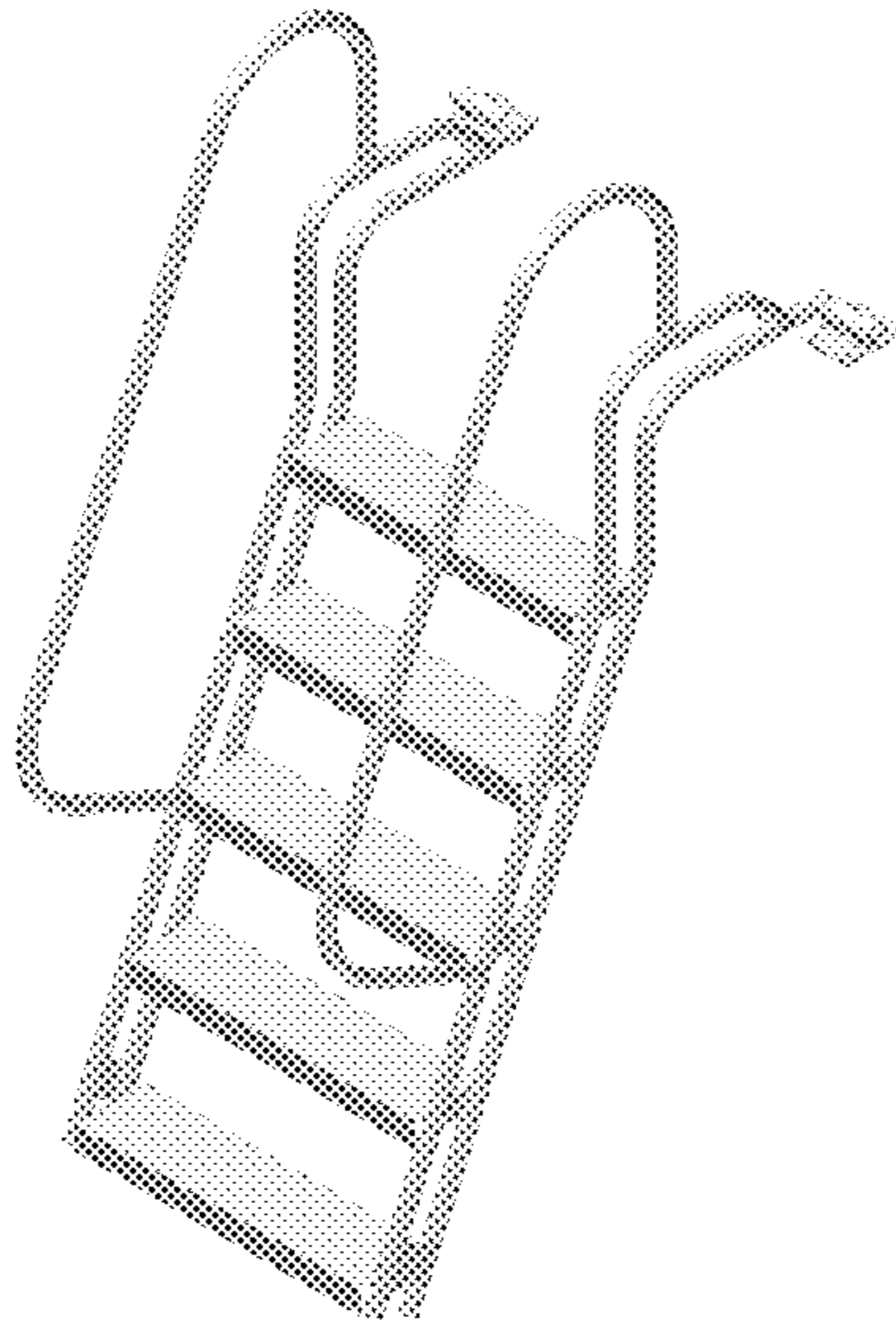
FIG. 5 is a perspective view showing the bottom, front, and left side of the dock ladder design of the invention depicting the dock ladder in its deployed configuration.

FIG. 6 is a left side view of the dock ladder design of the invention depicting the dock ladder in its stowed configuration.

FIG. 7 is a perspective view showing the rear, top, and left side of the dock ladder design of the invention depicting the dock ladder in its stowed configuration; and,

FIG. 8 is a perspective view showing the front, top, and left side of the dock ladder design of the invention depicting the dock ladder in its stowed configuration.

1 Claim, 8 Drawing Sheets



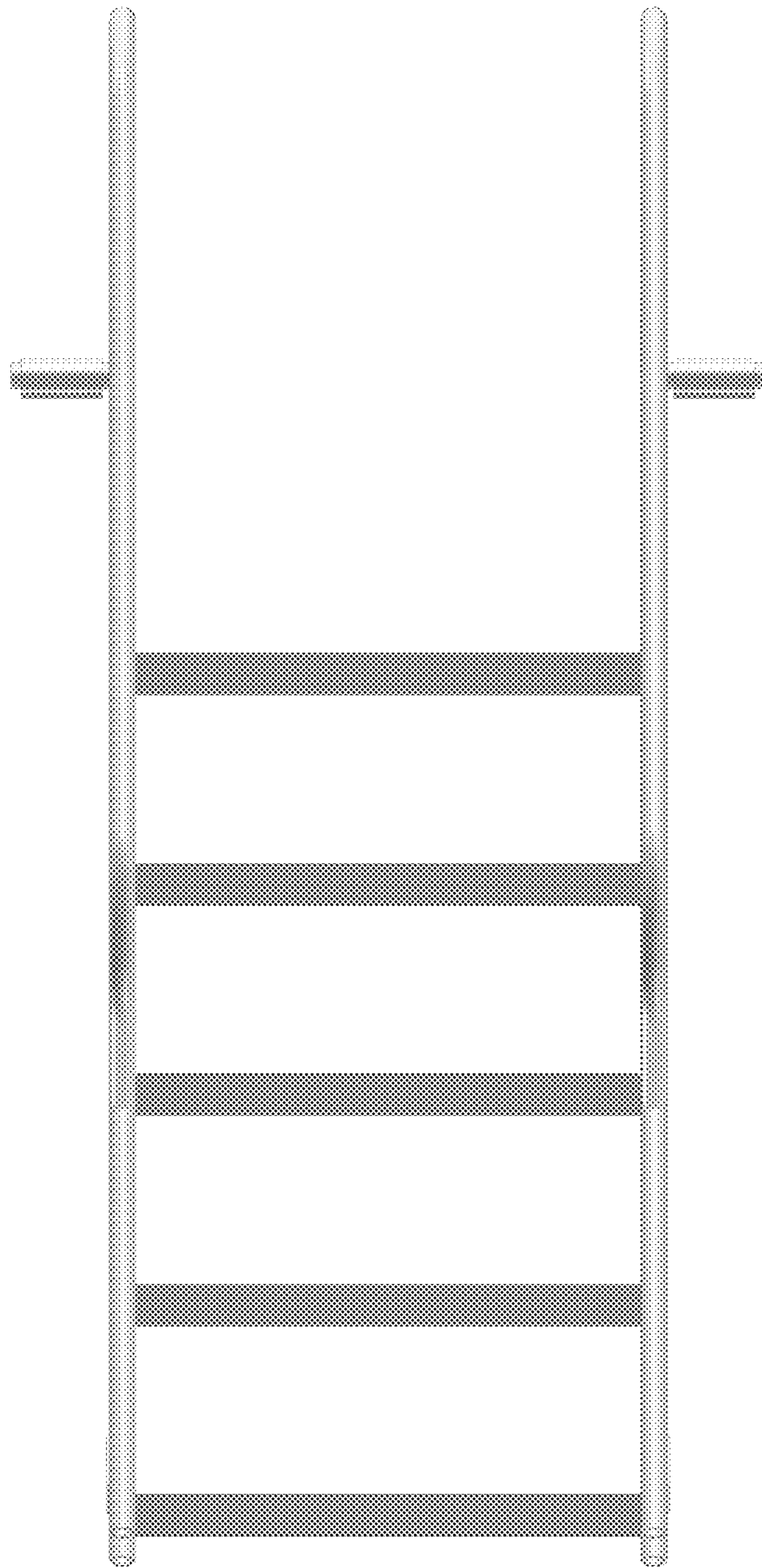


FIG. 1

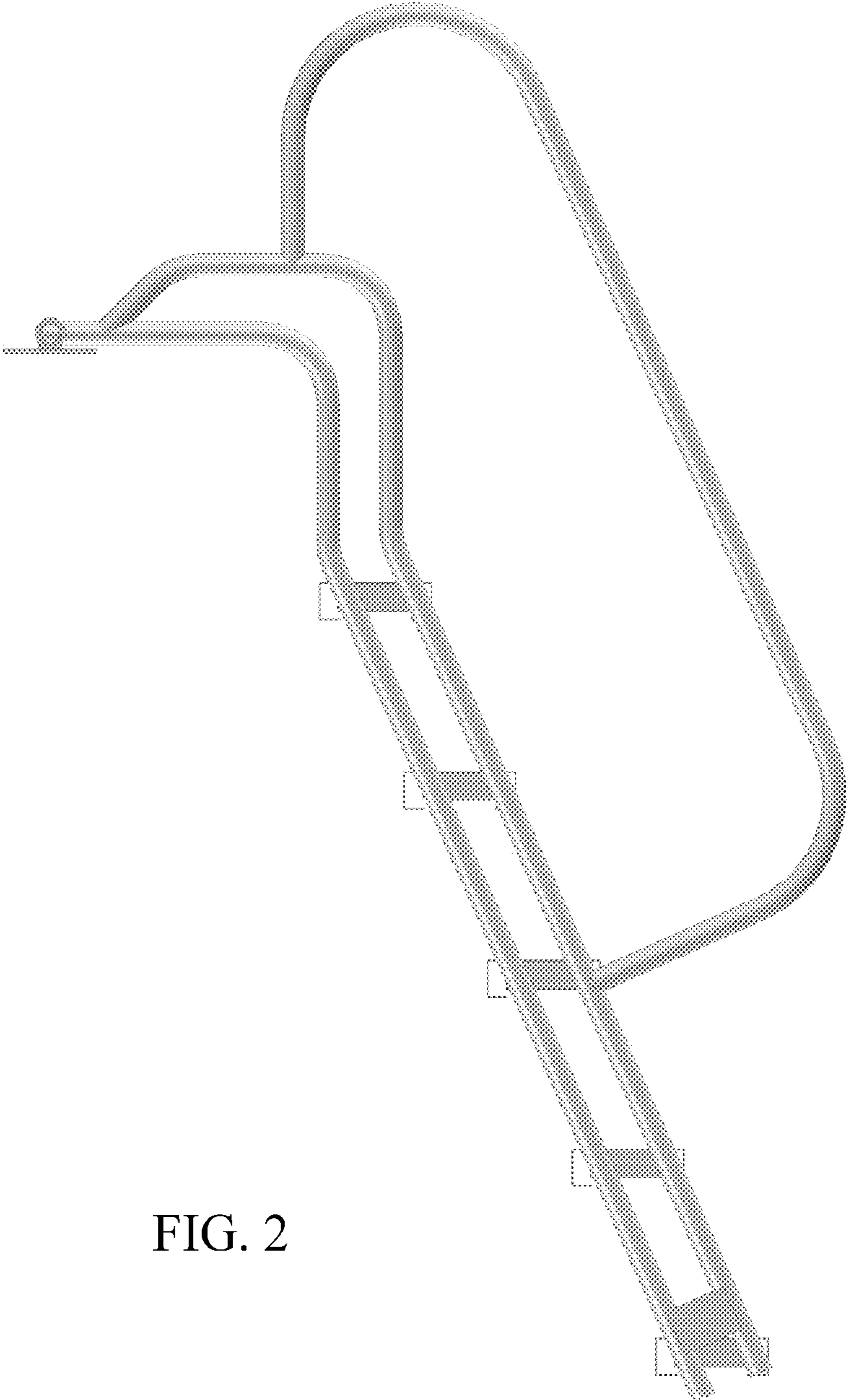


FIG. 2



FIG. 3

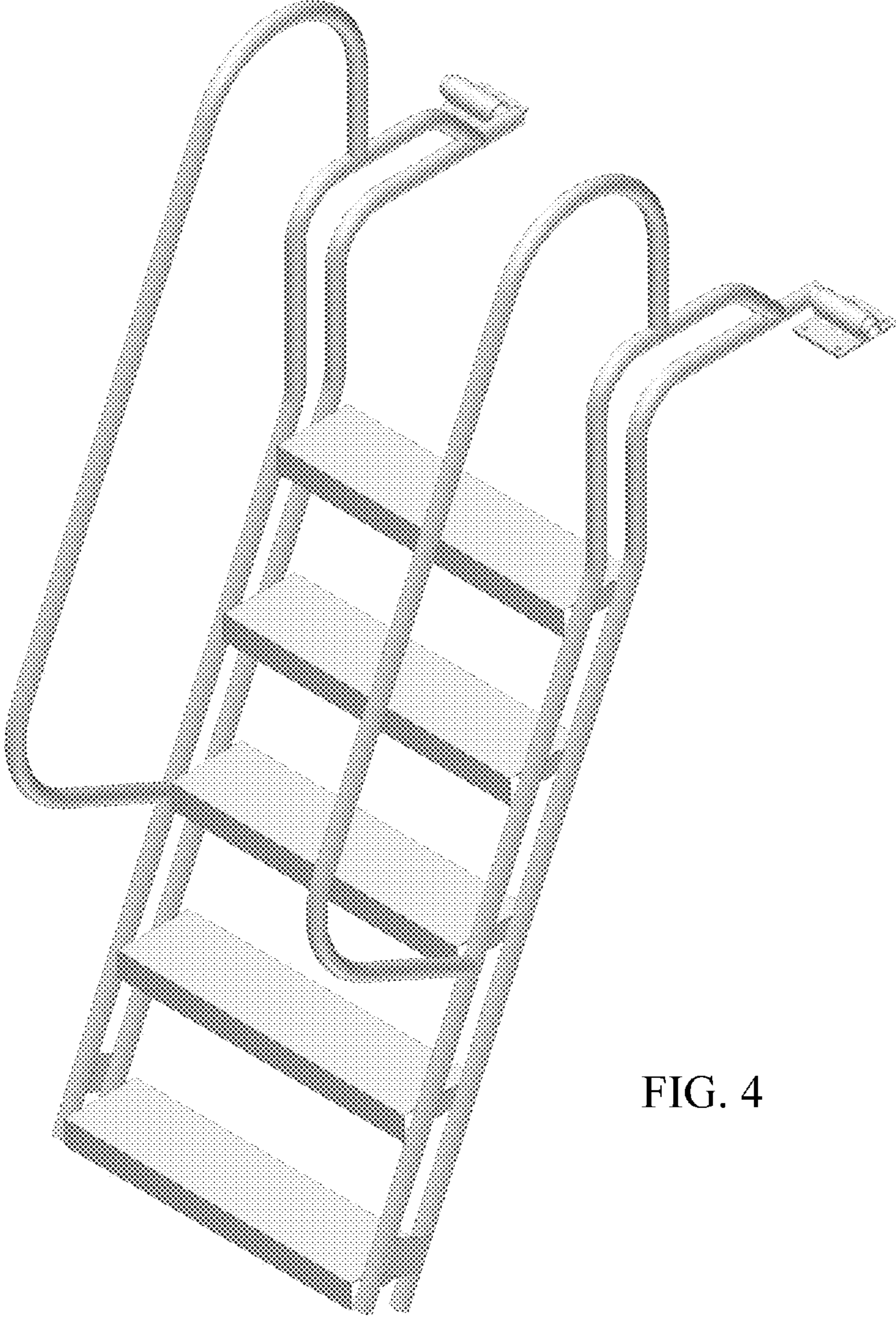


FIG. 4

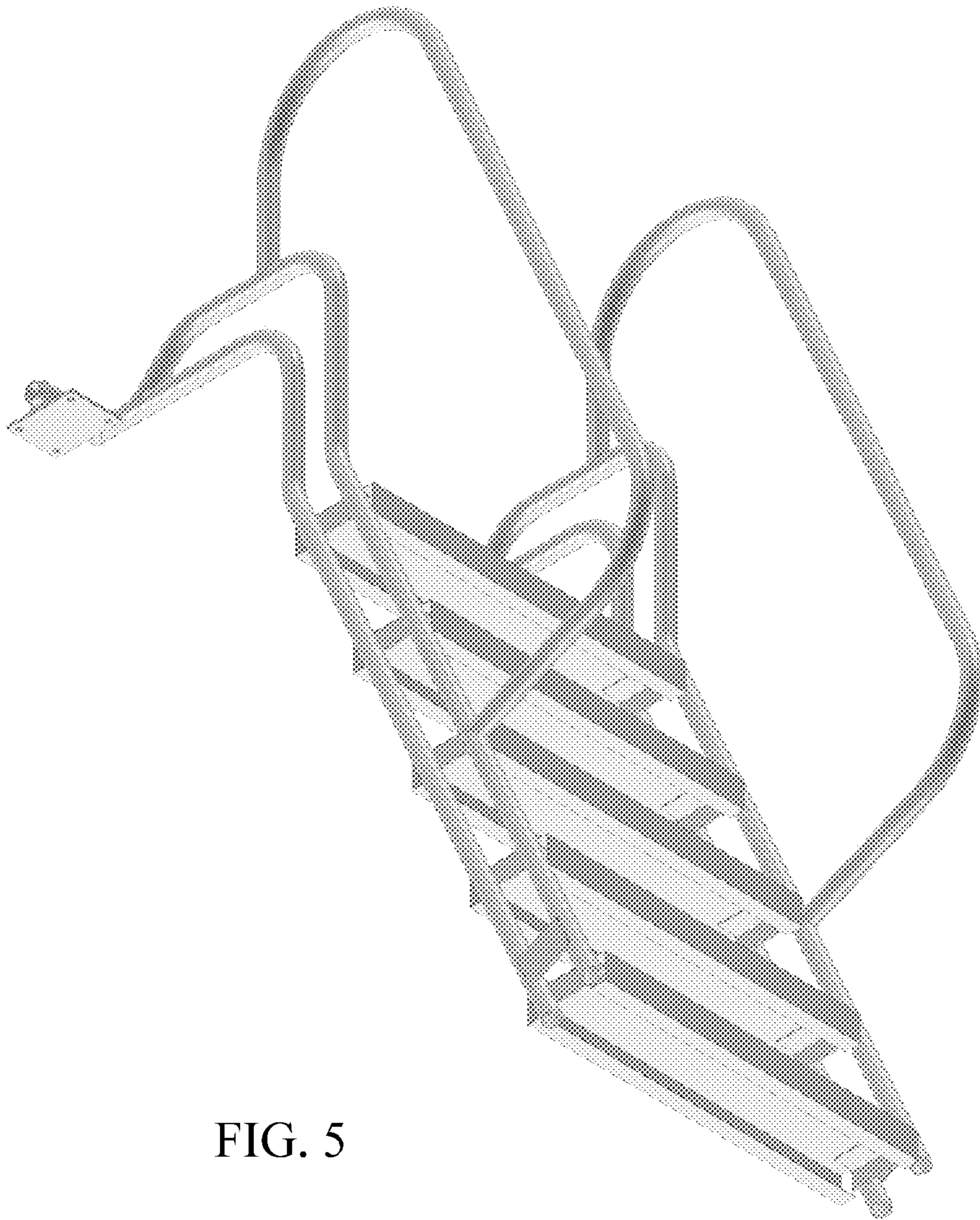


FIG. 5

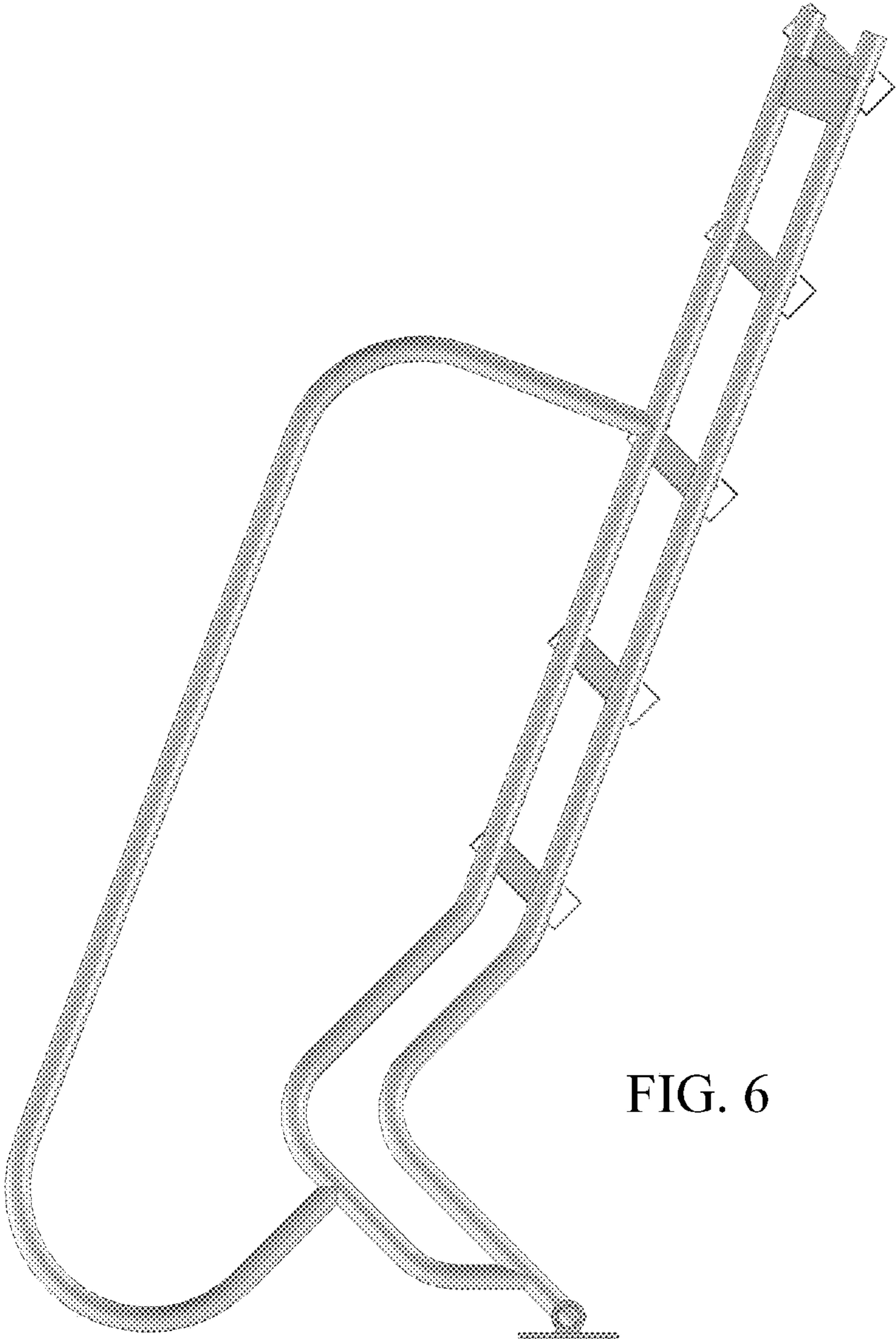


FIG. 6

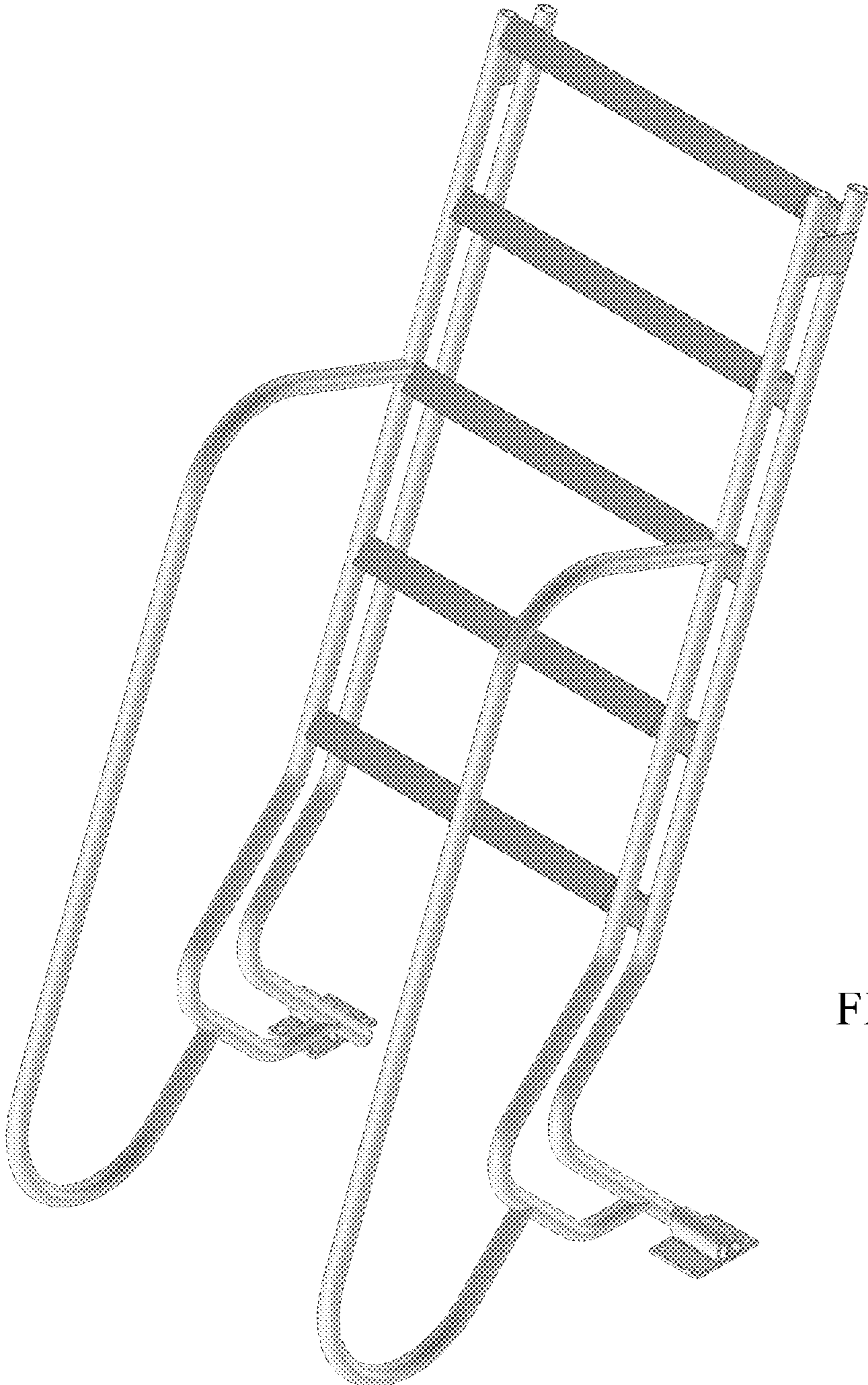


FIG. 7

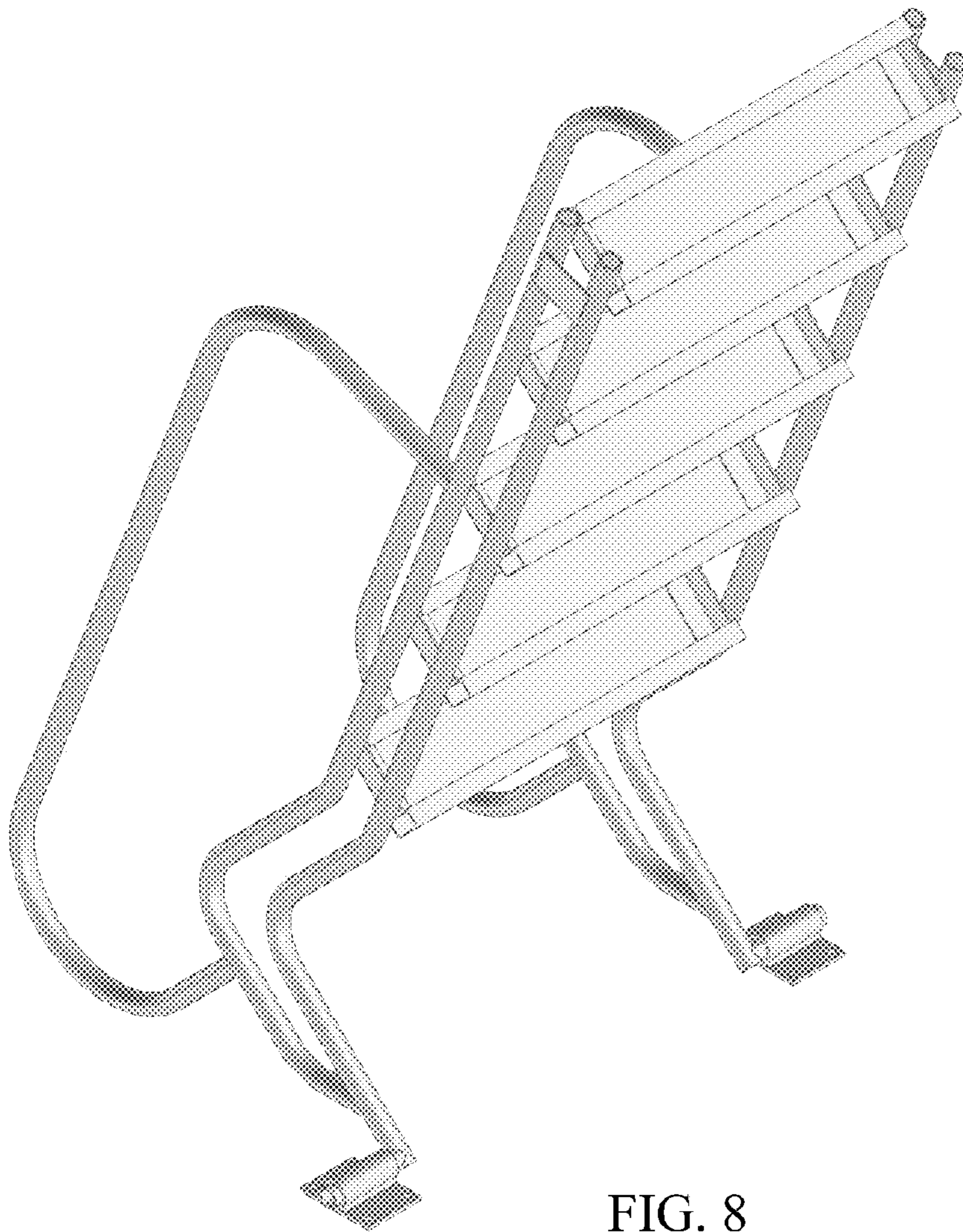


FIG. 8