



US00D700974S

(12) **United States Design Patent**  
**Taalman**

(10) **Patent No.:** **US D700,974 S**  
(45) **Date of Patent:** **\*\* Mar. 11, 2014**

(54) **CONTAINER WITH MASSAGER**

FOREIGN PATENT DOCUMENTS

(71) Applicant: **Taalman Family Trust**, Port Elizabeth  
(ZA)

WO 2012034139 A1 3/2012

(72) Inventor: **Johannes Franciscus Josephus**  
**Taalman**, Port Elizabeth (ZA)

Zawodsky R., "PCT International Search Report," for application PCT/ZA2011/000065, filed Sep. 6, 2011, mailed Feb. 20, 2012, Vienna, Austria.

(73) Assignee: **Taalman Family Trust**, Port Elizabeth  
(ZA)

*Primary Examiner* — Sandra Snapp

(\*\*) Term: **14 Years**

(74) *Attorney, Agent, or Firm* — Woods Oviatt Gilman LLP

(21) Appl. No.: **29/435,240**

(57) **CLAIM**

(22) Filed: **Oct. 22, 2012**

The ornamental design for a container with massager, as shown and described.

(30) **Foreign Application Priority Data**

**DESCRIPTION**

Apr. 23, 2012 (ZA) ..... A2012/00540

(51) **LOC (10) Cl.** ..... **28-03**

(52) **U.S. Cl.**  
USPC ..... **D24/215**

(58) **Field of Classification Search**  
USPC ..... D24/200, 211, 212, 213, 214, 215;  
601/114, 120, 121, 124, 125, 130, 131,  
601/134, 135, 136, 137  
See application file for complete search history.

FIG. 1 is a top front side perspective view of a container with massager showing my design;  
FIG. 2 is a top rear perspective view thereof;  
FIG. 3 is a front side elevation view thereof;  
FIG. 4 is a rear side elevation view thereof;  
FIG. 5 is a side elevation view thereof;  
FIG. 6 is a top plan view thereof;  
FIG. 7 is a bottom plan view thereof;  
FIG. 8 is a bottom perspective view thereof;  
FIG. 9 is a top perspective view with the cap removed;  
FIG. 10 is a top perspective view of the container with massager shown in FIG. 1 stacked on another container with massager; and,  
FIG. 11 is a partial cross section view of the container with massager taken along line A-A in FIG. 7.

(56) **References Cited**

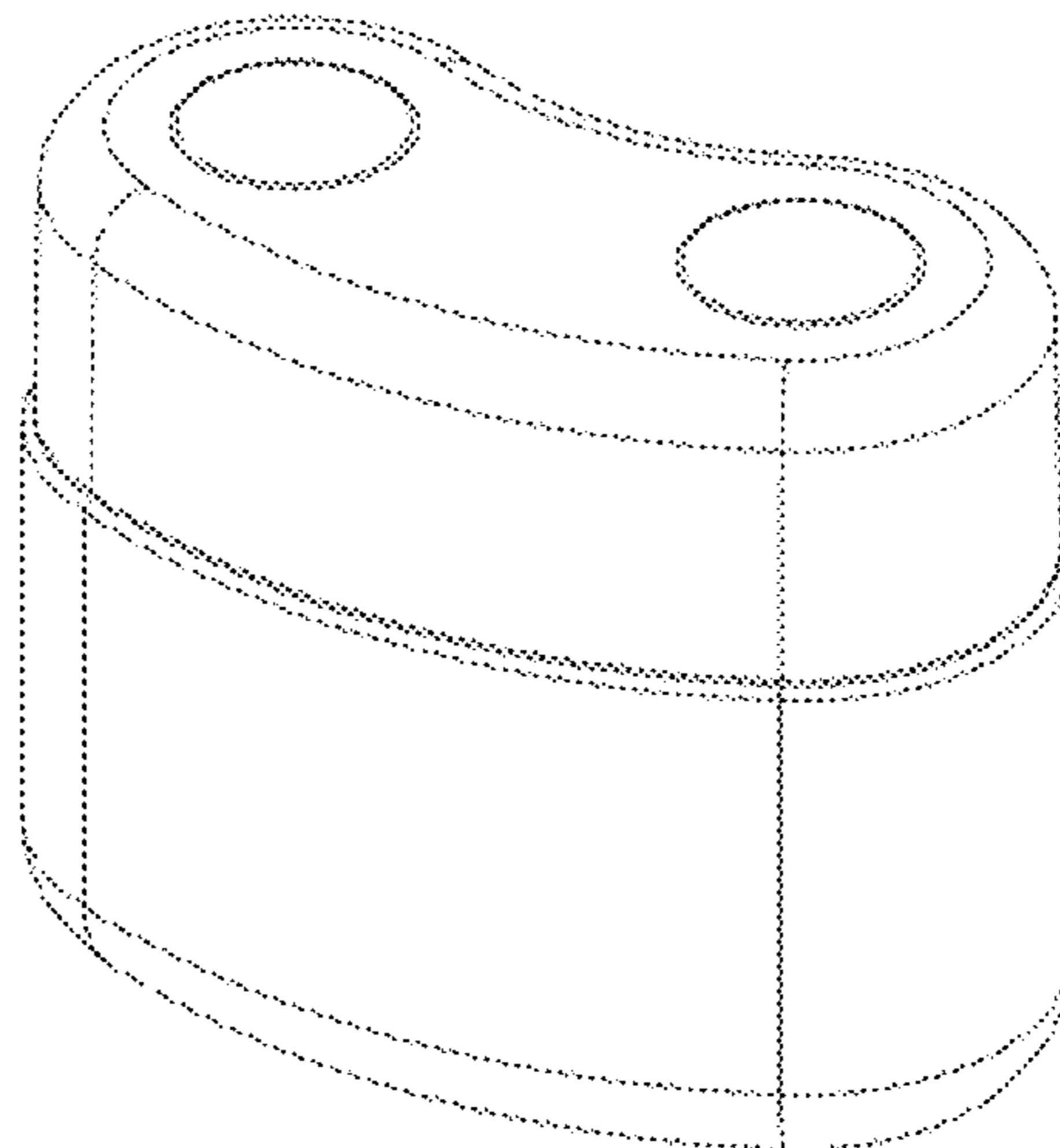
U.S. PATENT DOCUMENTS

4,326,508 A	4/1982	Stauffer	
4,846,159 A	7/1989	Anzai et al.	
5,131,384 A	7/1992	Obagi	
D373,728 S *	9/1996	Moore	D9/448
5,830,163 A	11/1998	Obermaier	
D406,389 S *	3/1999	Henry	D28/7
D406,676 S *	3/1999	Henry	D28/7
D433,707 S *	11/2000	Vanini et al.	D19/66
D450,153 S *	11/2001	Knieriemen	D28/7
6,925,672 B1 *	8/2005	Bromley	15/104.94
D518,915 S *	4/2006	Angeletta	D28/7

The design provides a container with massager. The container contains, in use, a massaging liquid or cream, which is applied by the two applicator balls when in use. The massaging liquid or cream is not part of the claimed design. The container is stackable as shown in FIG. 10, wherein the additional container shown on the bottom is not part of the claimed design.

(Continued)

**1 Claim, 11 Drawing Sheets**



(56)

**References Cited**

7,678,066 B2 3/2010 Habatjou  
2010/0087763 A1 4/2010 Hane-Karr

U.S. PATENT DOCUMENTS

D591,170 S \* 4/2009 Lux ..... D9/726 \* cited by examiner

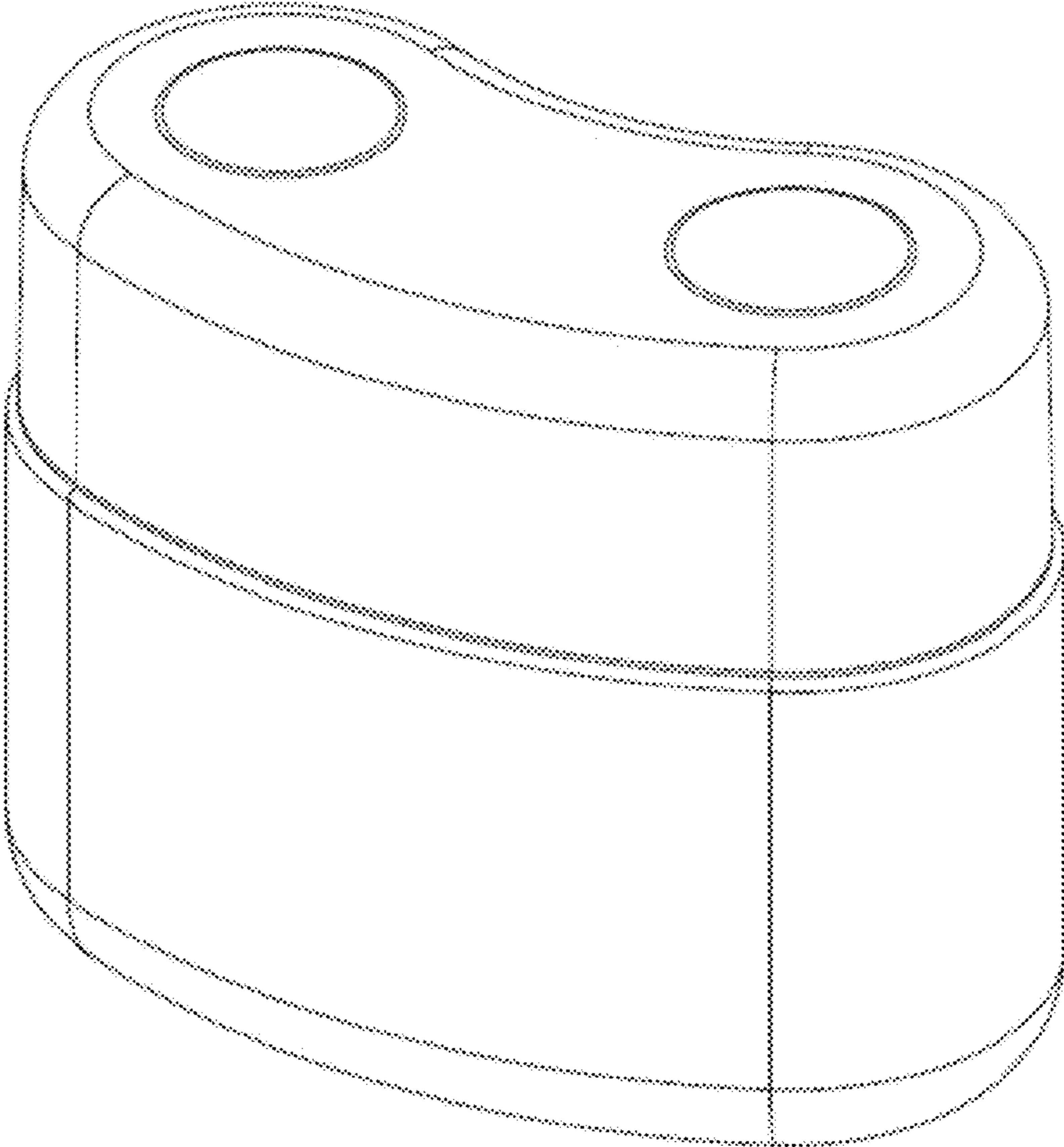


FIG. 1

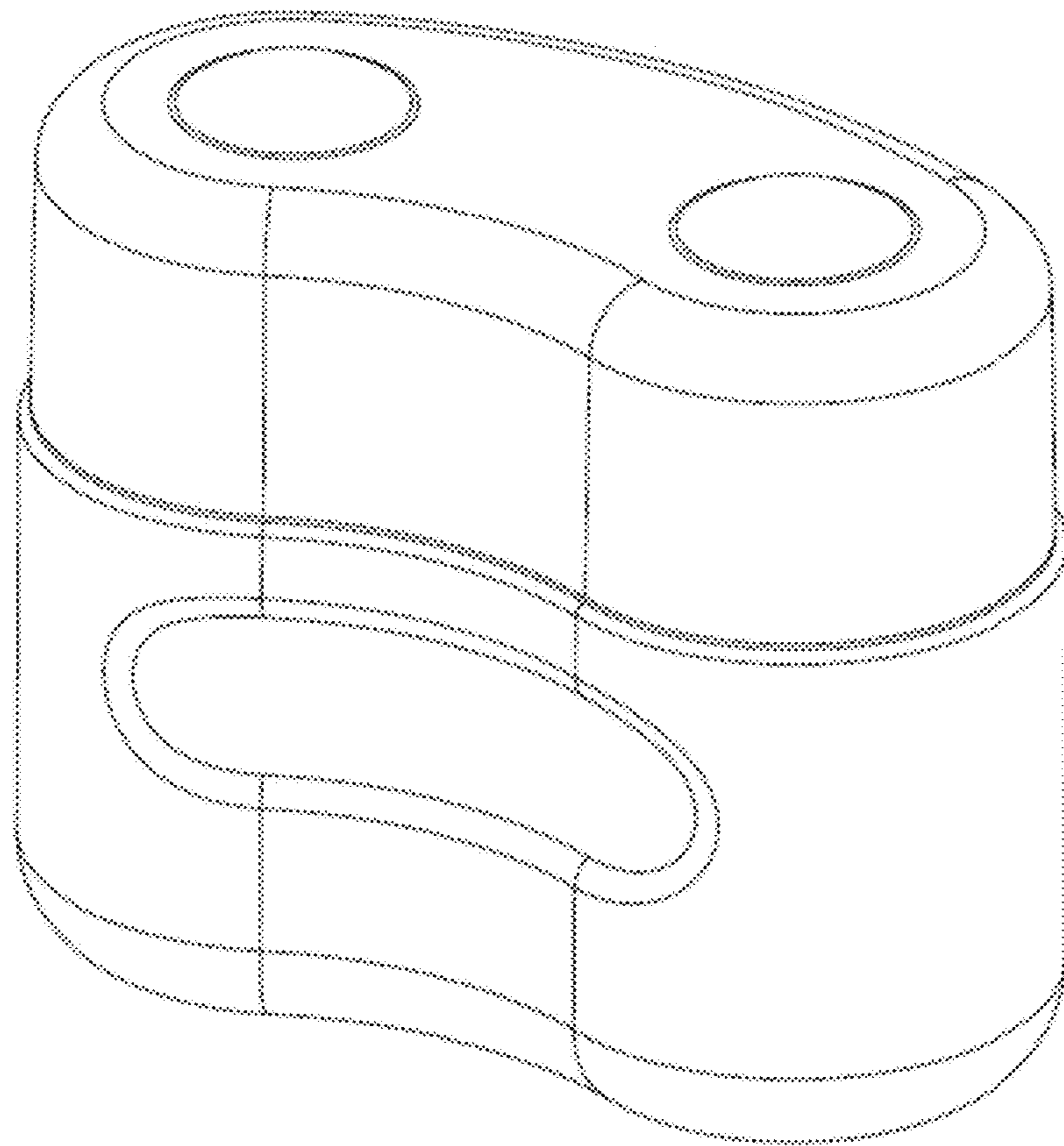


FIG. 2

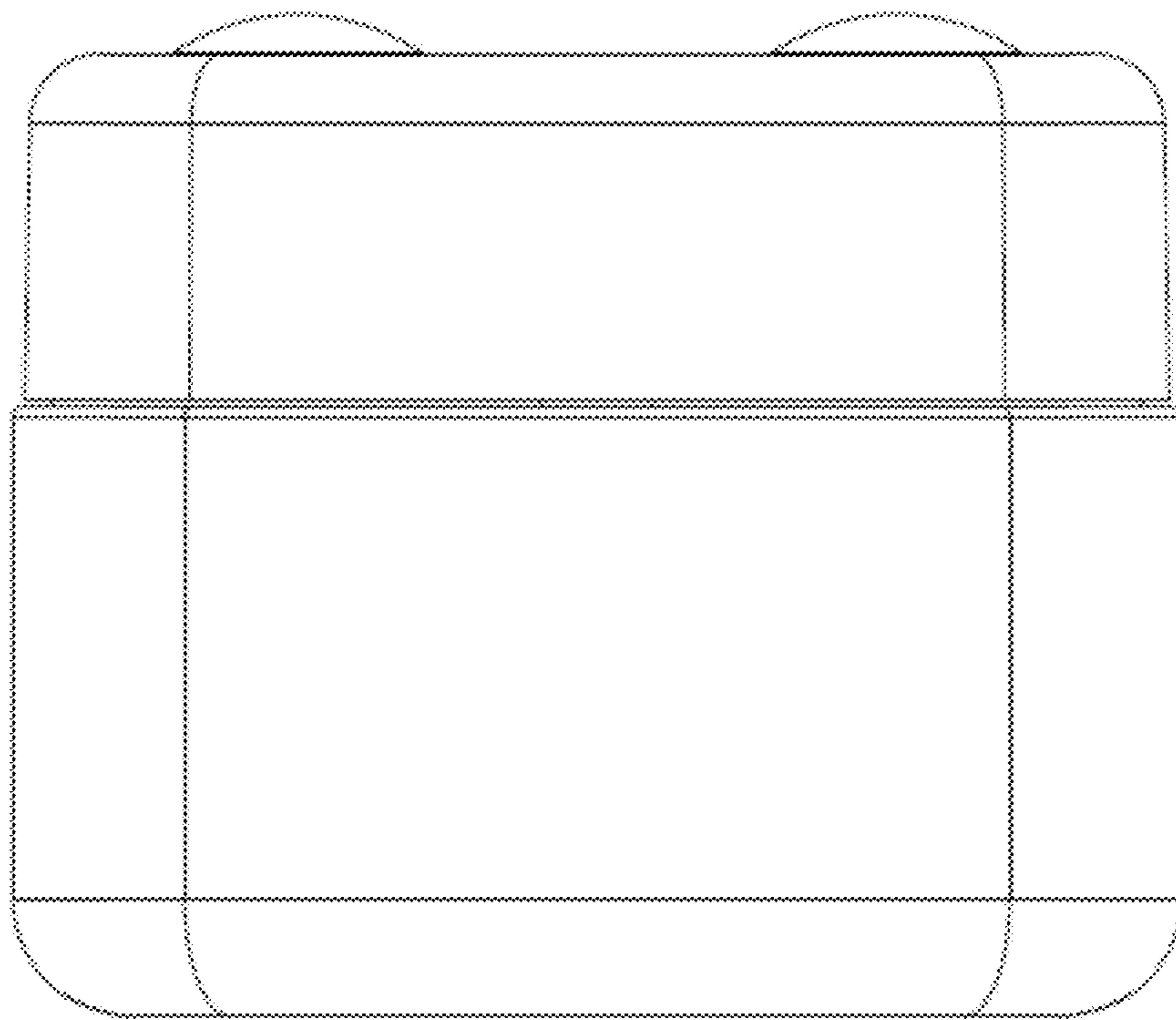


FIG. 3

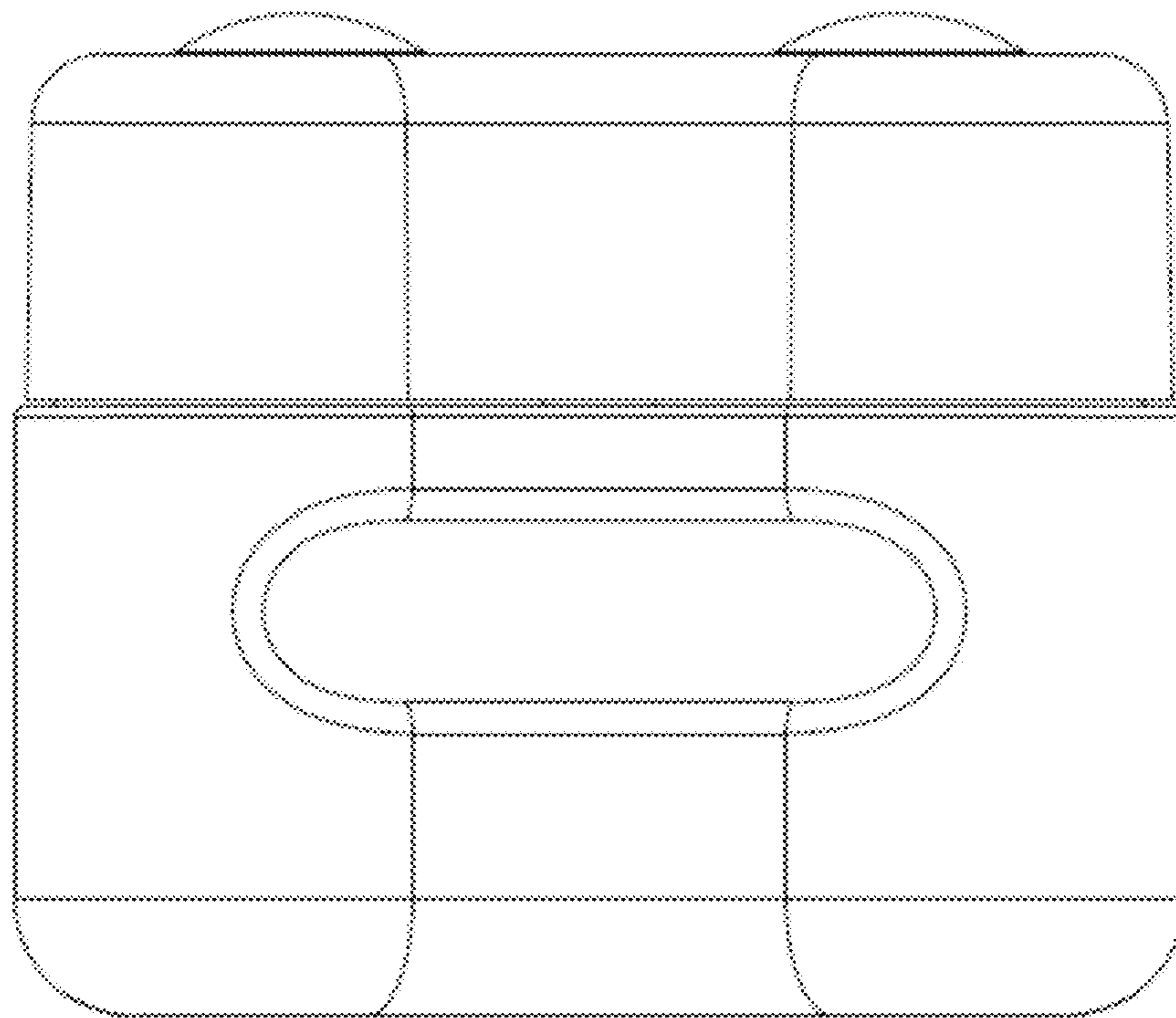


FIG. 4

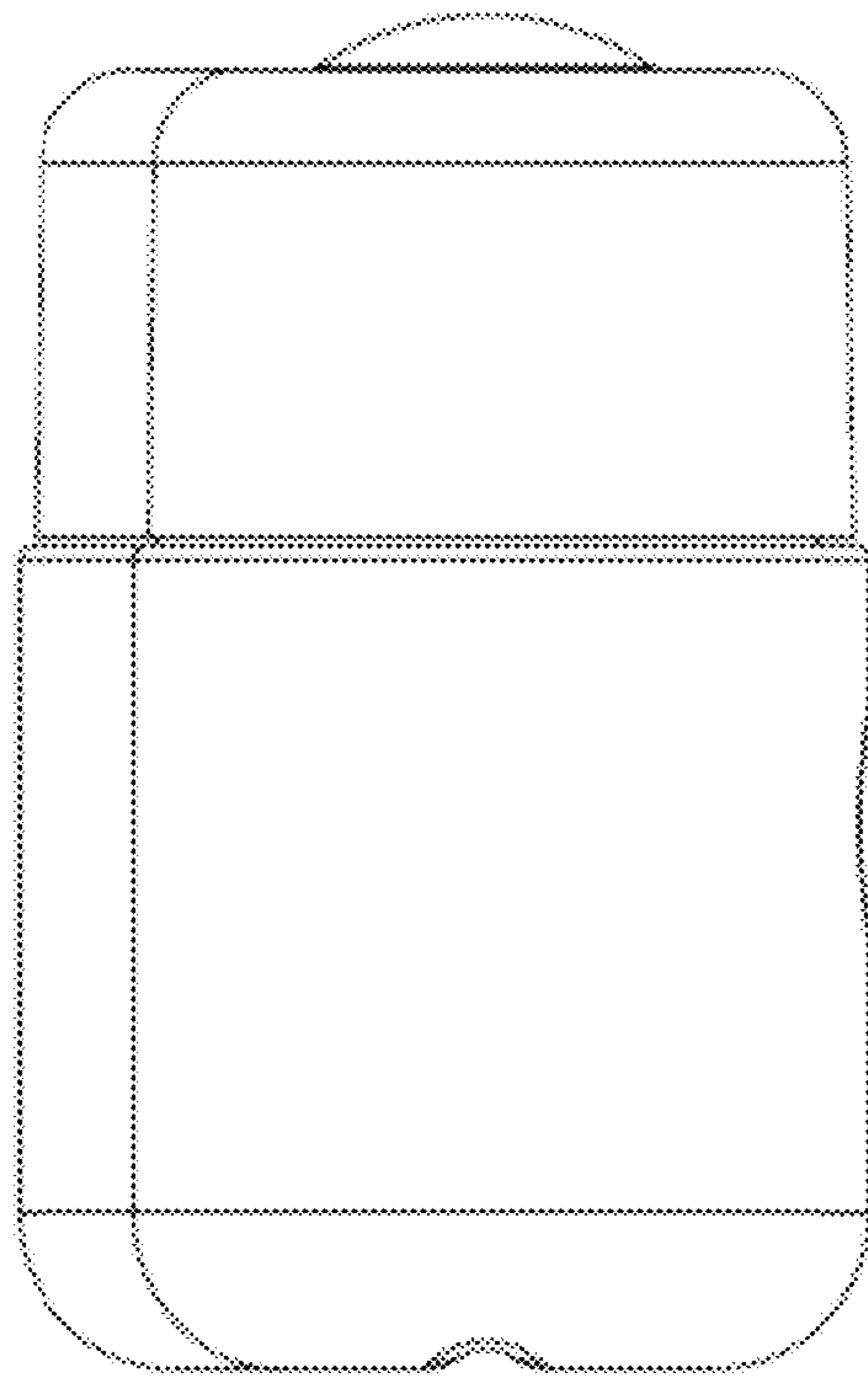


FIG. 5



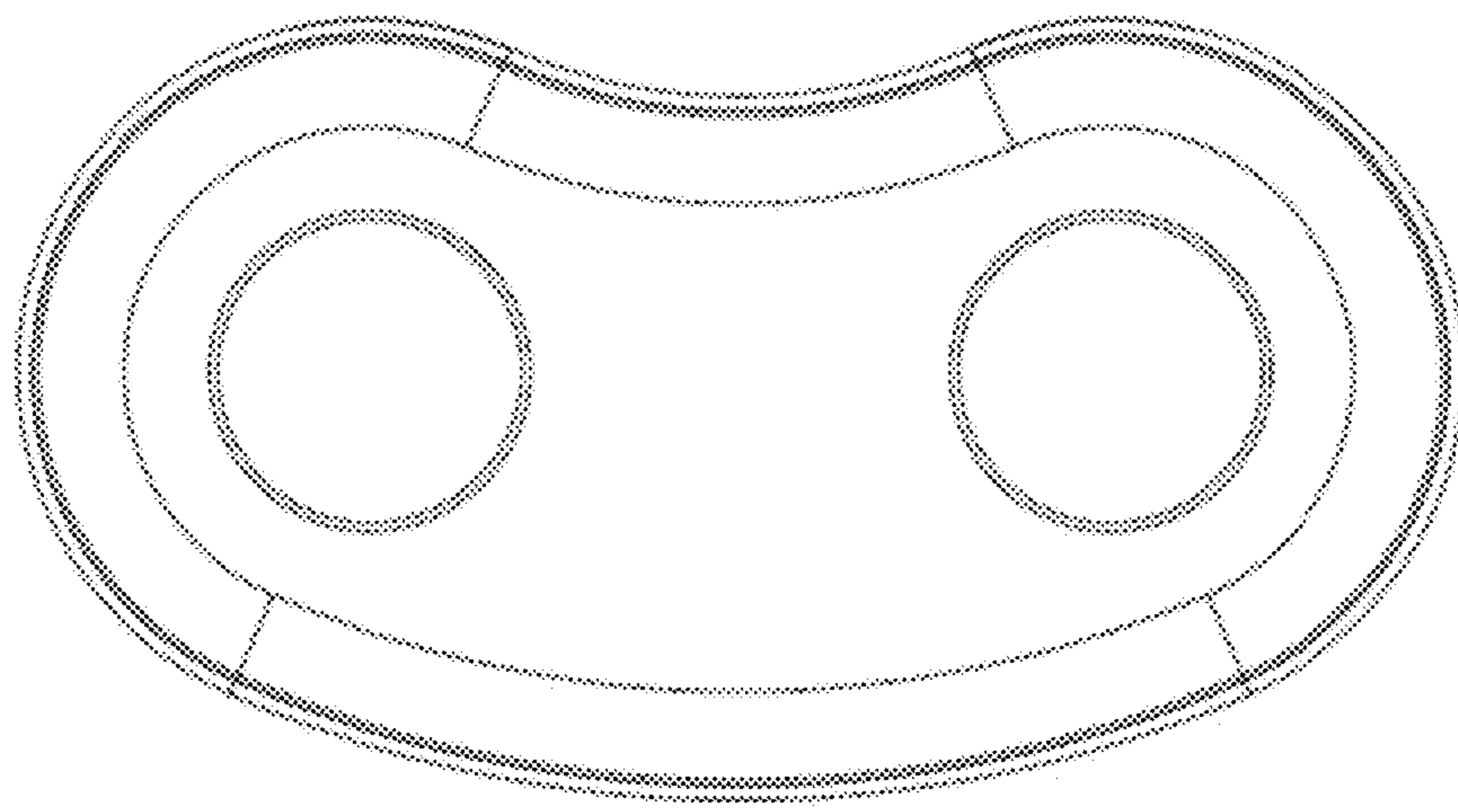


FIG. 6



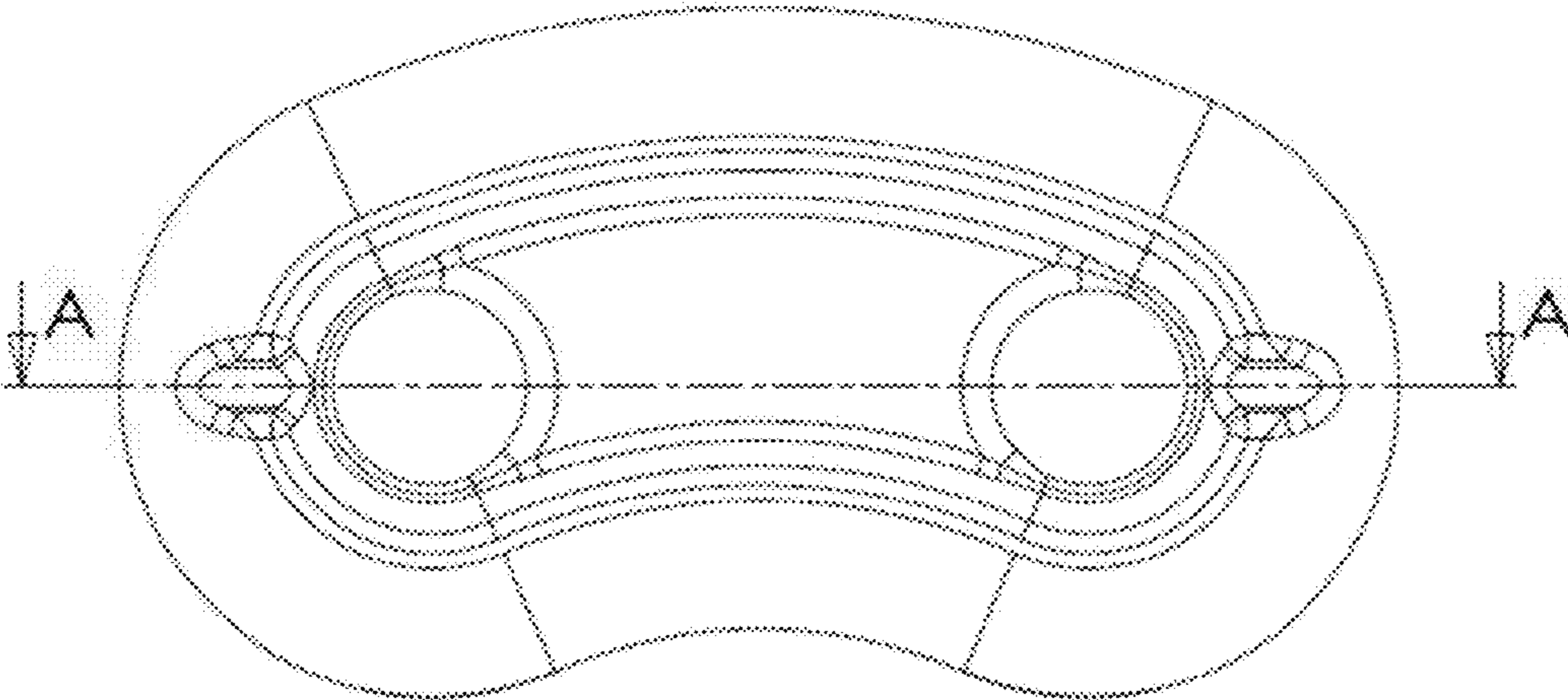


FIG. 7

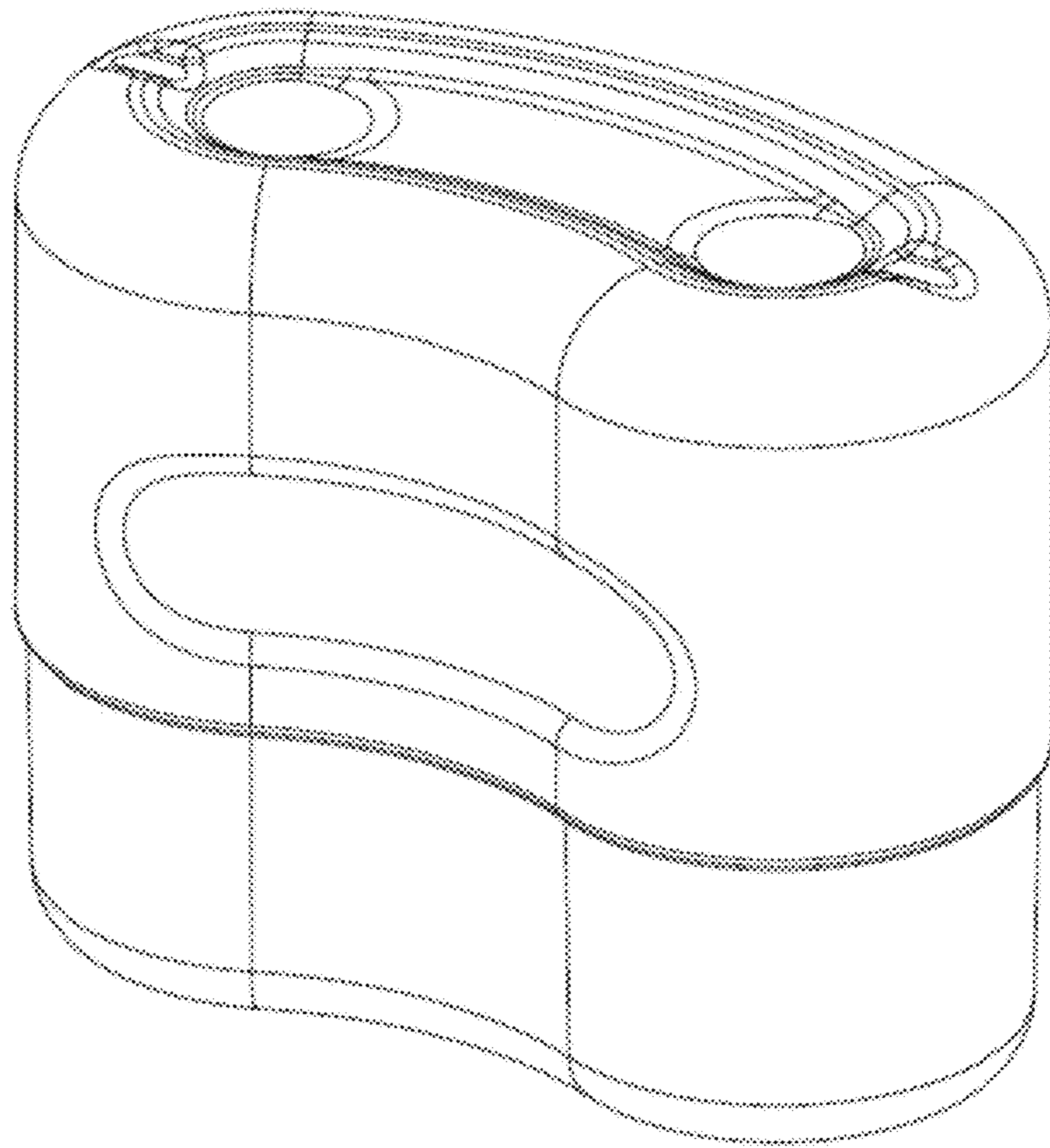


FIG. 8

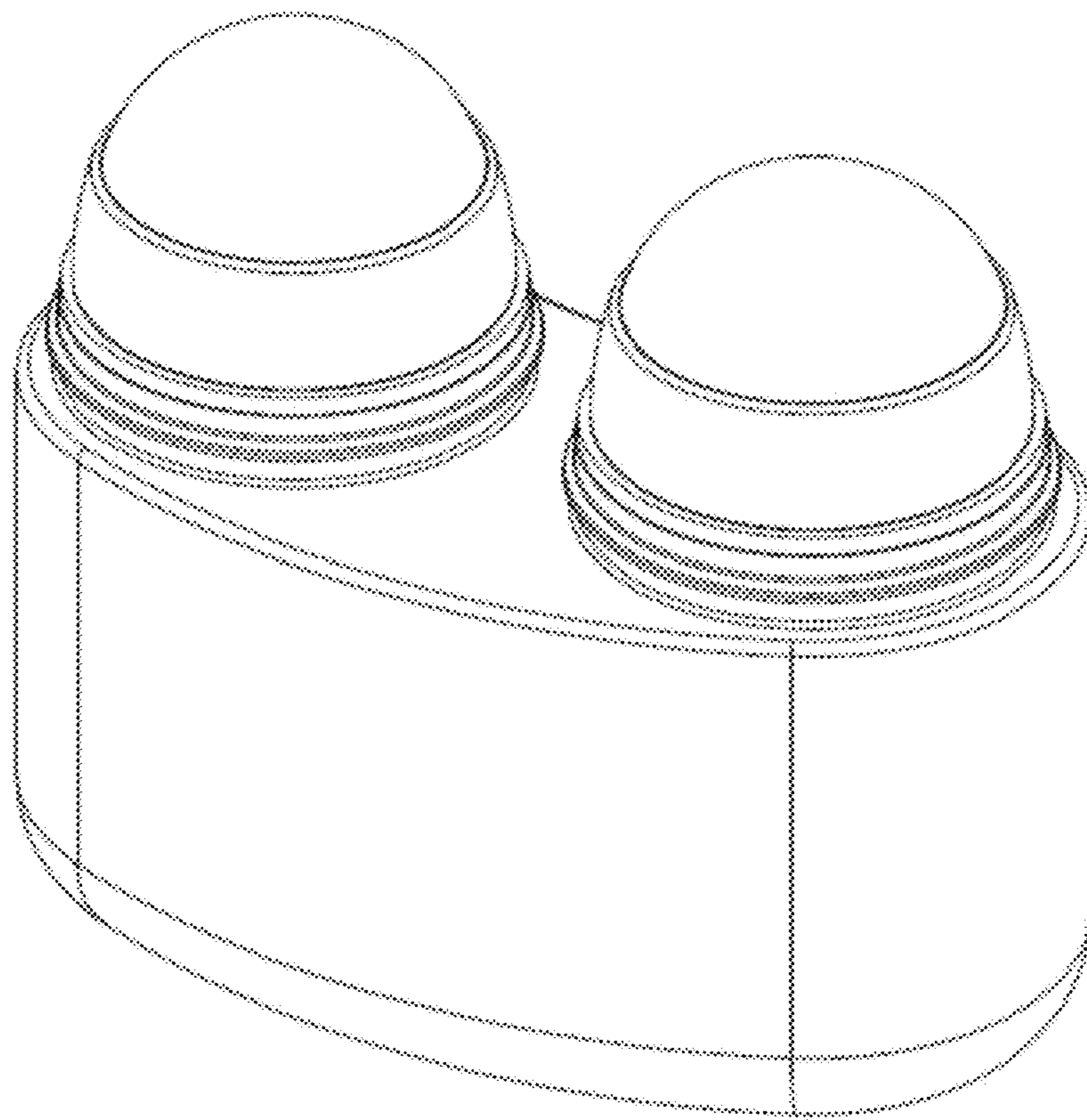


FIG. 9

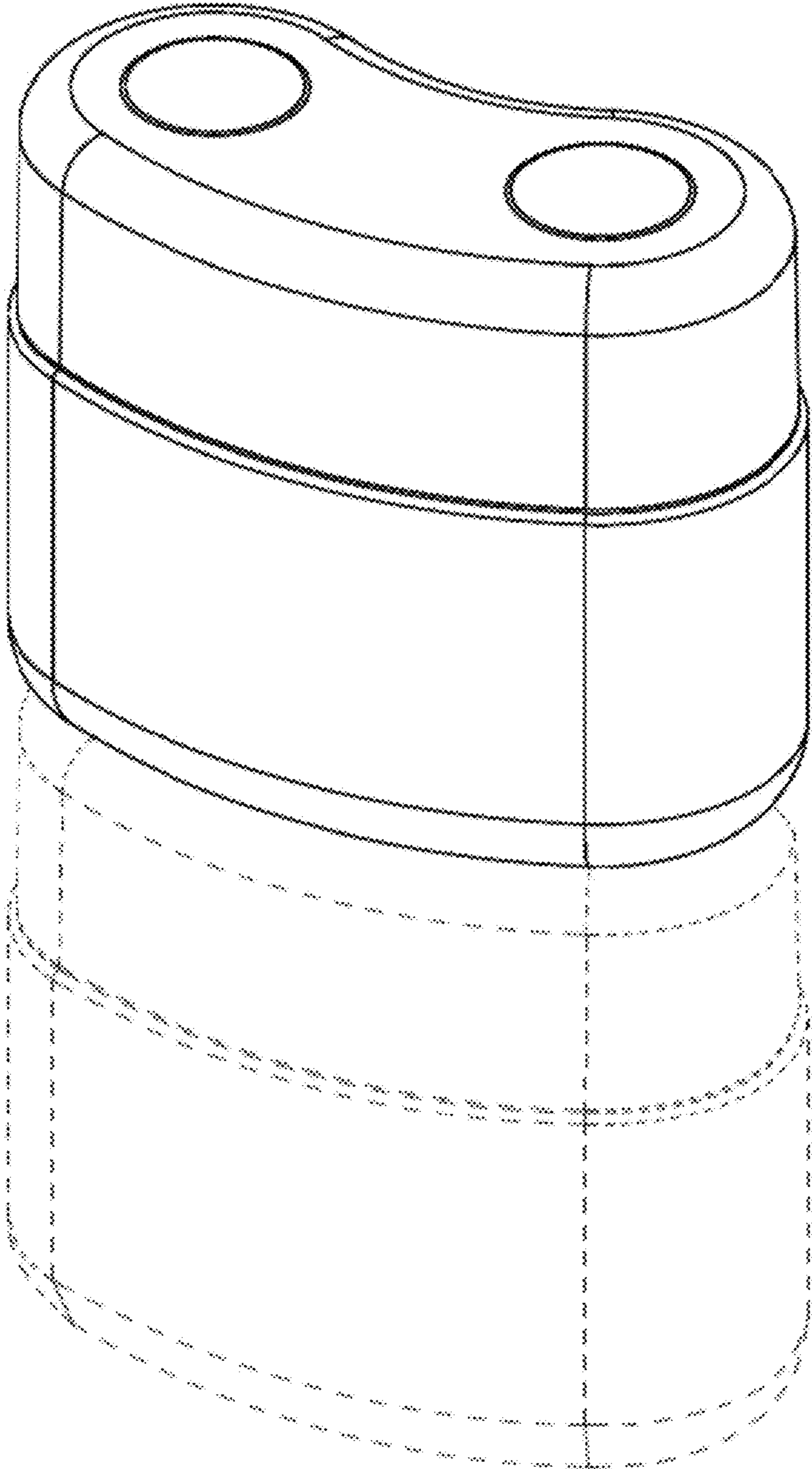


FIG. 10

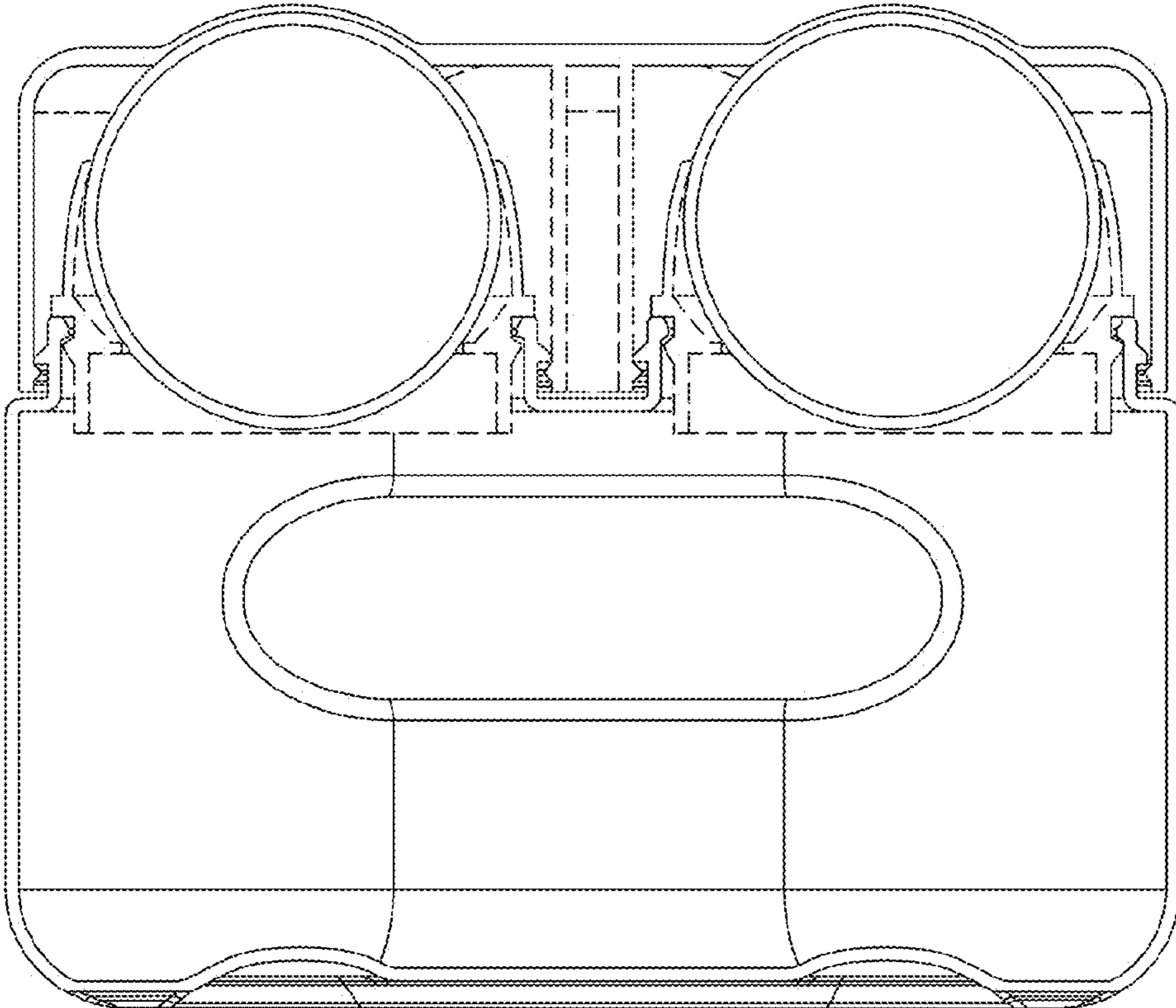


FIG. 11