



US00D700973S

(12) **United States Design Patent**
Douglas

(10) **Patent No.:** **US D700,973 S**
(45) **Date of Patent:** **** Mar. 11, 2014**

- (54) **LIGHT THERAPY LAMP**
- (71) Applicant: **Verilux, Inc.**, Waitsfield, VT (US)
- (72) Inventor: **Ryan J. Douglas**, Stillwater, MN (US)
- (73) Assignee: **Verilux, Inc.**, Waitsfield, VT (US)
- (**) Term: **14 Years**

- D510,627 S 10/2005 Lomberg et al.
- D530,040 S 10/2006 Smith et al.
- D540,346 S * 4/2007 Jaakkola D14/496
- D545,973 S * 7/2007 Powell et al. D24/209
- D550,103 S * 9/2007 Laituri et al. D10/57
- D553,273 S 10/2007 Jim
- D570,346 S 6/2008 Suk et al.
- D580,430 S 11/2008 Wei
- D581,056 S 11/2008 Kurokawa et al.
- D582,804 S * 12/2008 Flandin et al. D10/57
- D598,148 S 8/2009 Leslie et al.

(21) Appl. No.: **29/453,658**

(Continued)

(22) Filed: **May 1, 2013**

OTHER PUBLICATIONS

(51) **LOC (10) Cl.** **28-03**

Phillips Hf3321 goLITE Blue, amazon.com, Nov. 25, 2010 <http://amzn.com/B003XN9ZQQ>.*

(52) **U.S. Cl.**

USPC **D24/210**

(Continued)

(58) **Field of Classification Search**

USPC D24/133, 158, 163, 188, 200, 209–210;
D10/15, 57; 606/9, 33; 607/88–94;
D26/37, 60, 63

See application file for complete search history.

Primary Examiner — Eric Goodman

Assistant Examiner — John Reickel

(74) *Attorney, Agent, or Firm* — Dardi & Herbert, PLLC.;
Curtis B. Herbert

(56) **References Cited**

U.S. PATENT DOCUMENTS

- 2,516,270 A * 7/1950 Swain 40/361
- D291,598 S * 8/1987 Elkerbout D24/210
- D337,276 S * 7/1993 Yuen D10/2
- D350,205 S 8/1994 Yamasaki et al.
- D350,206 S 8/1994 Mochida
- D361,619 S 8/1995 Phleps et al.
- D363,992 S * 11/1995 Vos D24/210
- D387,040 S * 12/1997 Iino D14/375
- D408,916 S * 4/1999 Hayashi et al. D24/158
- D435,912 S 1/2001 Muller
- D440,503 S * 4/2001 Gordon et al. D10/57
- D442,286 S 5/2001 Dumas
- D452,165 S * 12/2001 Sato D10/15
- D472,480 S * 4/2003 Chung et al. D10/57
- D480,480 S 10/2003 Lomberg et al.
- D481,397 S * 10/2003 Ashida et al. D14/496
- D484,420 S * 12/2003 Chang et al. D10/15
- 6,801,808 B2 10/2004 Lee

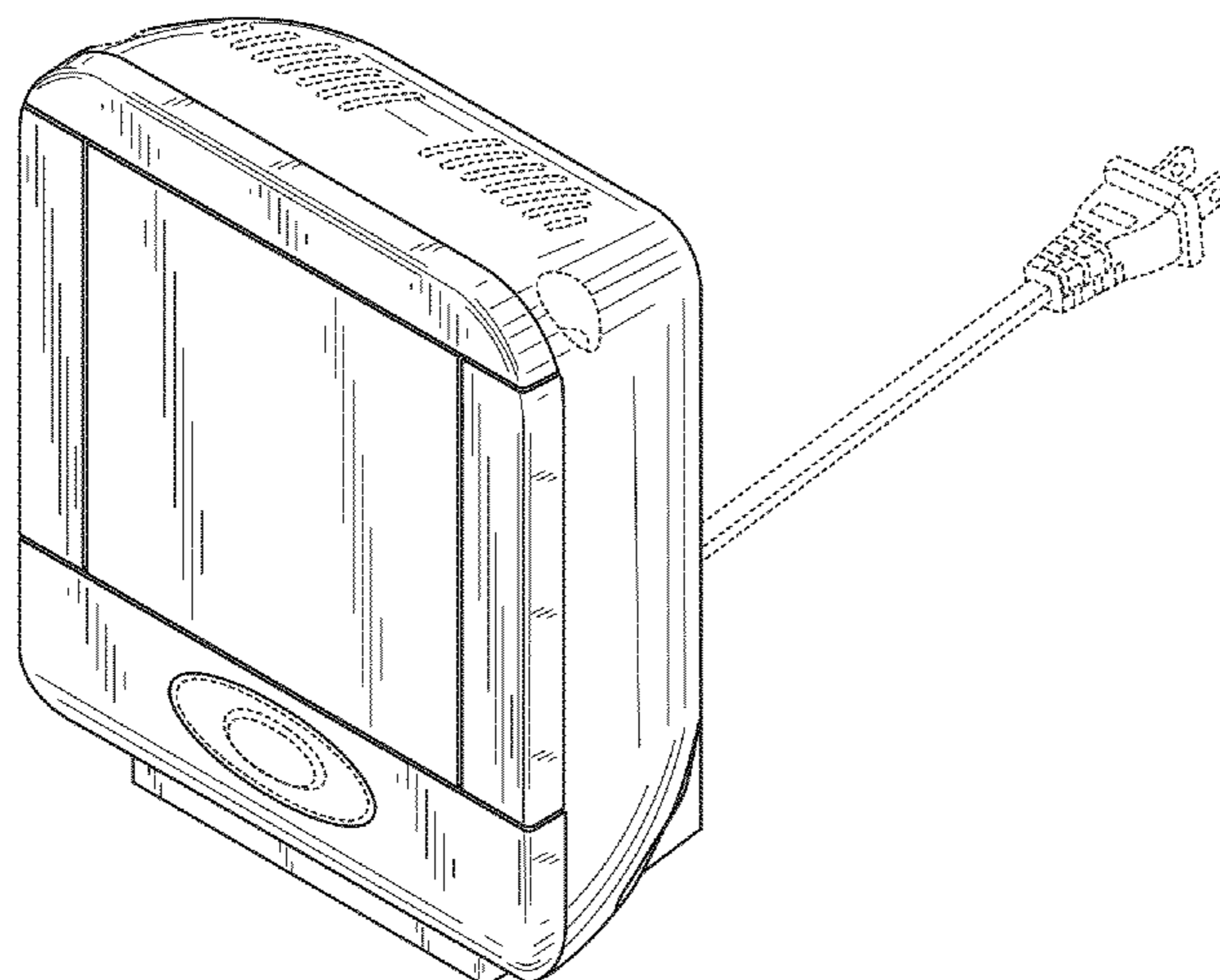
(57) **CLAIM**

I claim the ornamental design for a light therapy lamp, as shown.

DESCRIPTION

FIG. 1 is a perspective view of a light therapy lamp showing Applicant's new design;
FIG. 2 is a left-side elevational view thereof;
FIG. 3 is a right-side elevational view thereof;
FIG. 4 is a front elevational view thereof;
FIG. 5 is a back elevational view thereof;
FIG. 6 is a top plan view thereof; and,
FIG. 7 is a bottom plan view thereof.
The broken lines shown on the drawings depict portions of the light therapy lamp that form no part of the claimed design.

1 Claim, 7 Drawing Sheets



(56)

References Cited

U.S. PATENT DOCUMENTS

D599,485 S 9/2009 Burrows et al.
D607,105 S * 12/2009 Otoha et al. D24/158
D611,160 S 3/2010 Fernie et al.
D614,771 S 4/2010 Stead
D630,604 S 1/2011 Hirano et al.
D632,277 S 2/2011 Lu
D641,016 S * 7/2011 Takahashi D14/341
D641,490 S 7/2011 Fernie et al.
D647,626 S 10/2011 Nitsch
D650,935 S * 12/2011 Beghelli D26/63
D666,345 S * 8/2012 Wang D26/63

D666,352 S 8/2012 Wang
D668,700 S 10/2012 Jim
D670,579 S * 11/2012 Cooney D10/57
D680,108 S * 4/2013 Kumagai et al. D14/336
D693,699 S * 11/2013 Hsu D10/4
2005/0159795 A1 * 7/2005 Savage et al. 607/88
2007/0129777 A1 * 6/2007 Bolta 607/88
2010/0331929 A1 * 12/2010 Burrows et al. 607/88

OTHER PUBLICATIONS

Verilux HappyLight Liberty 7.5K Energy Light, amazon.com, Dec. 15, 2013 <http://amzn.com/B00EUF67DU>.*

* cited by examiner

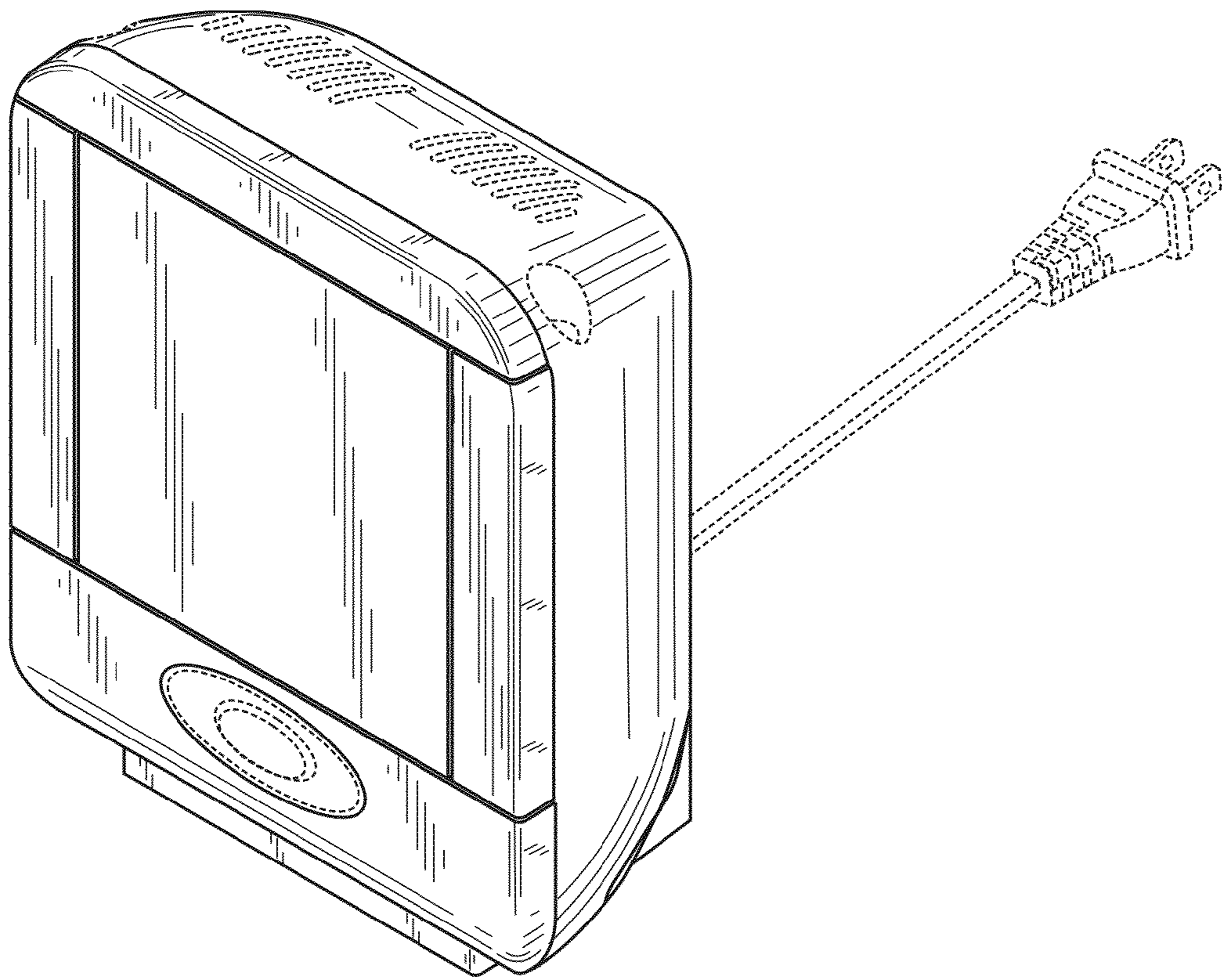


FIG. 1

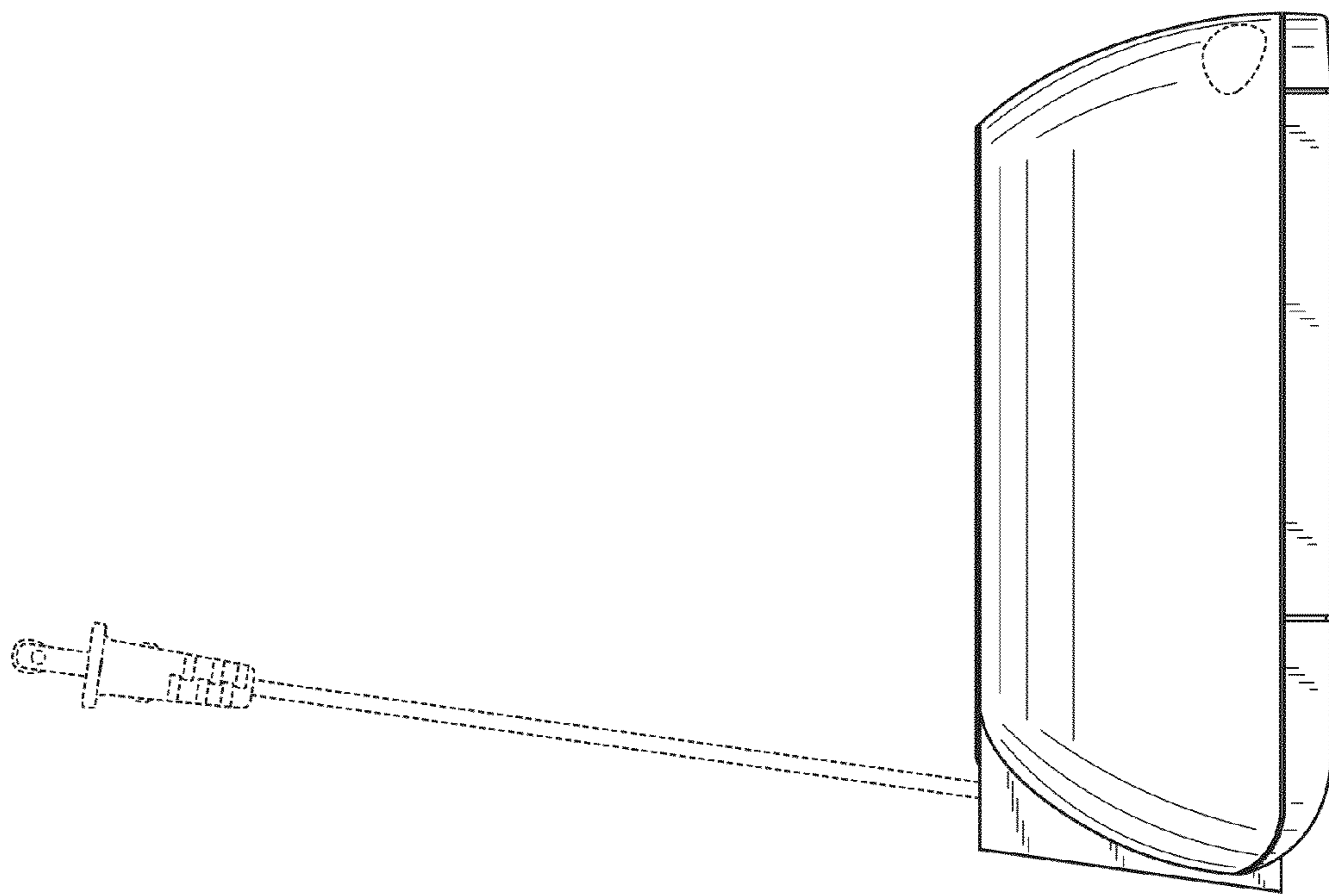


FIG. 2

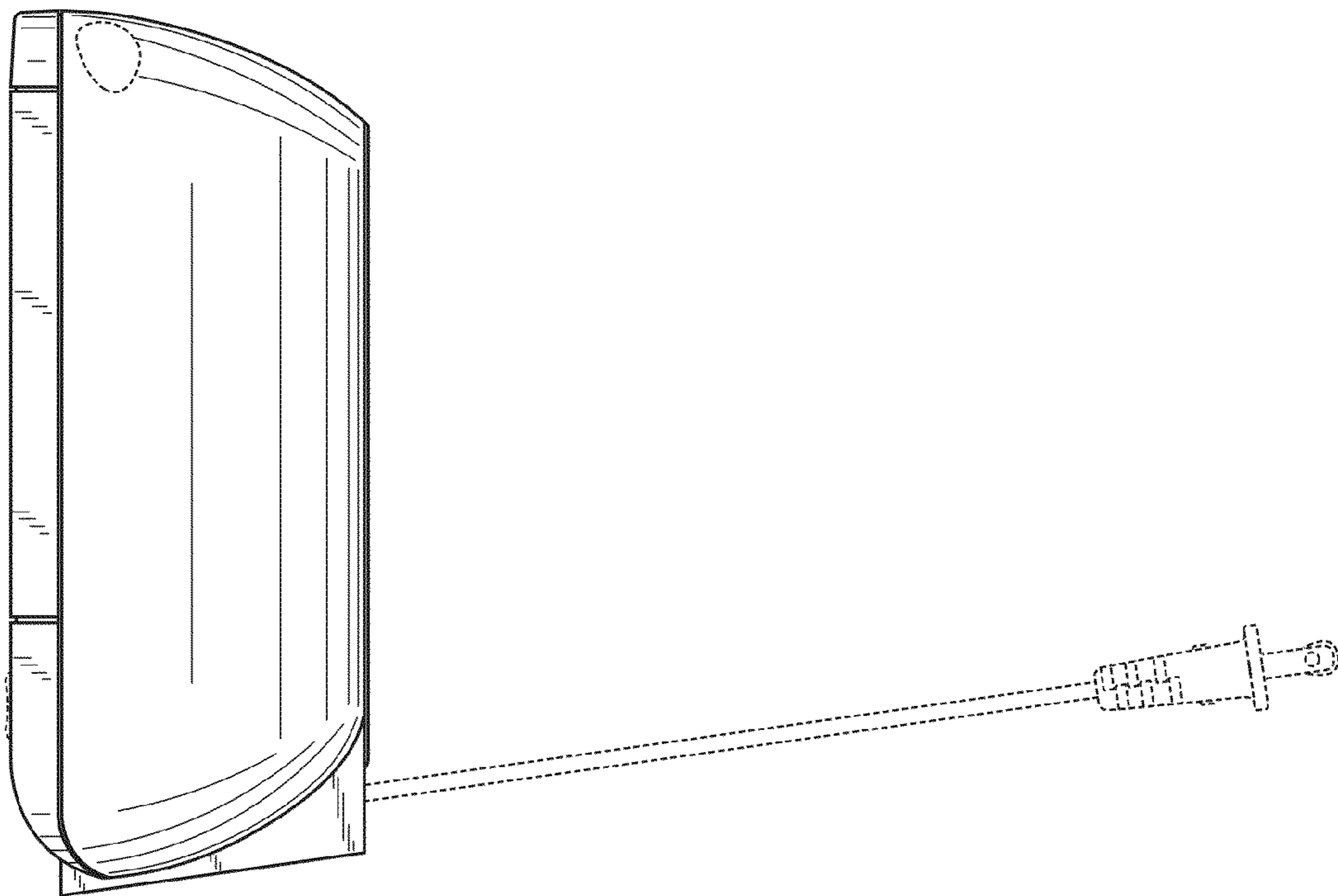


FIG. 3

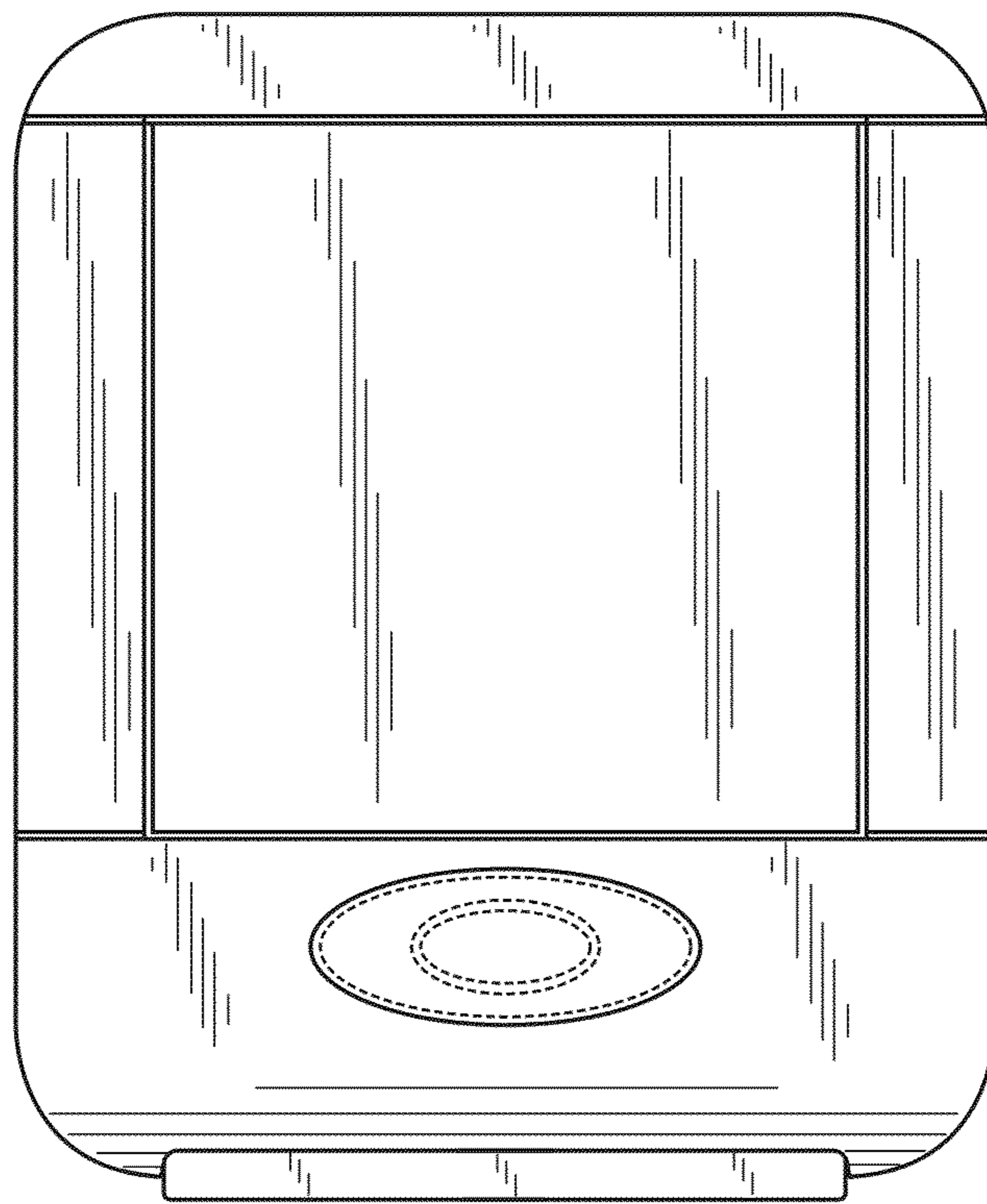


FIG. 4

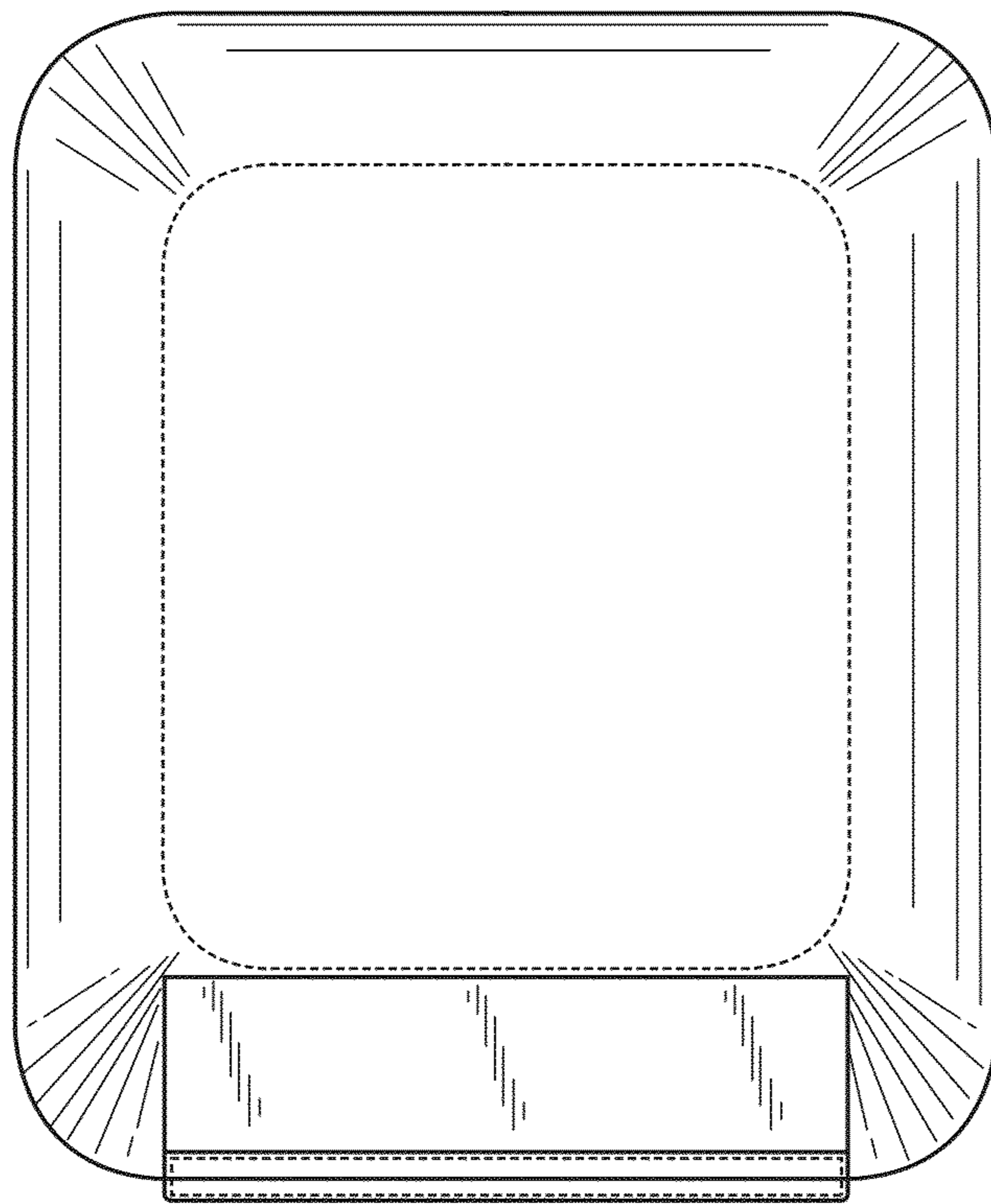


FIG. 5

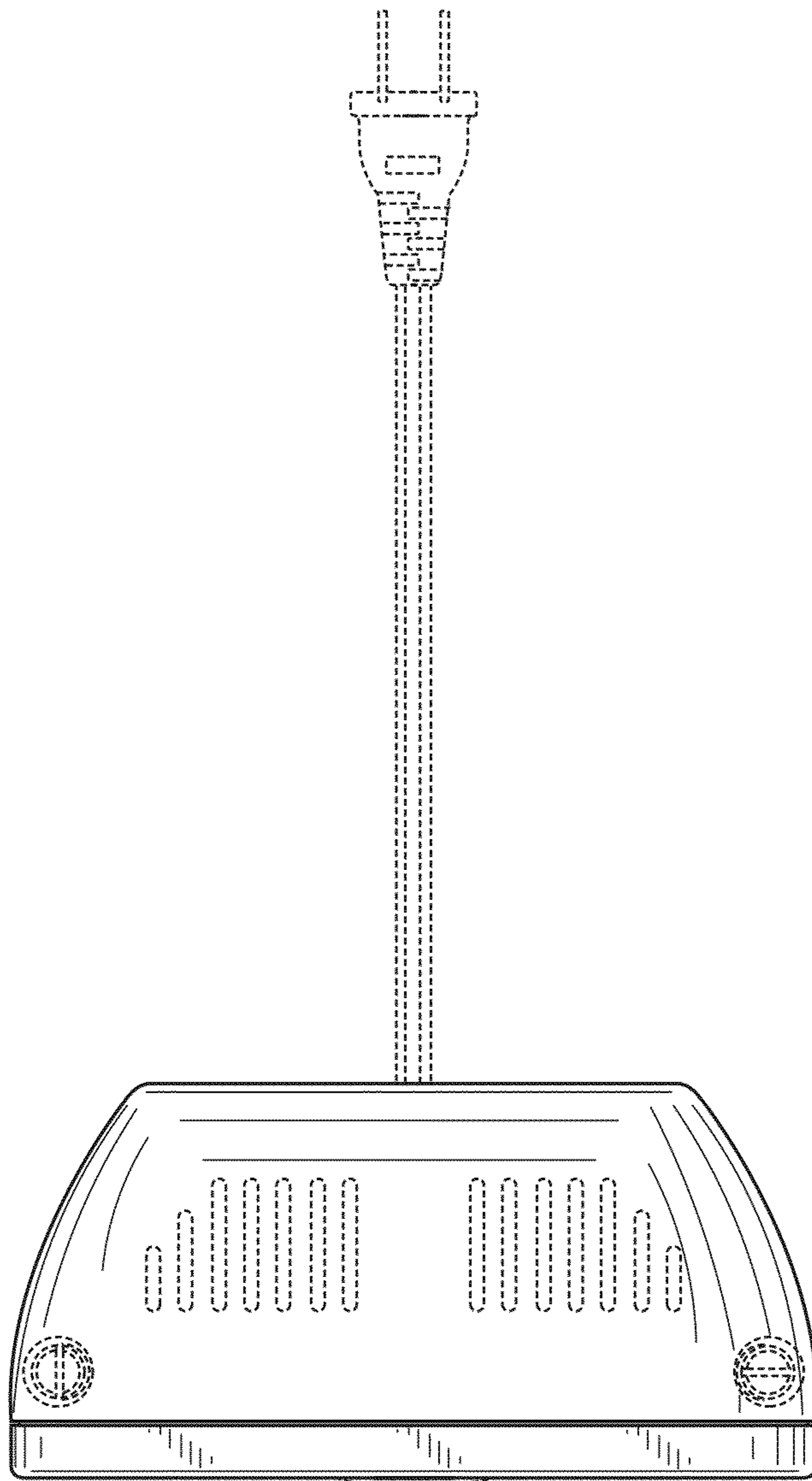


FIG. 6

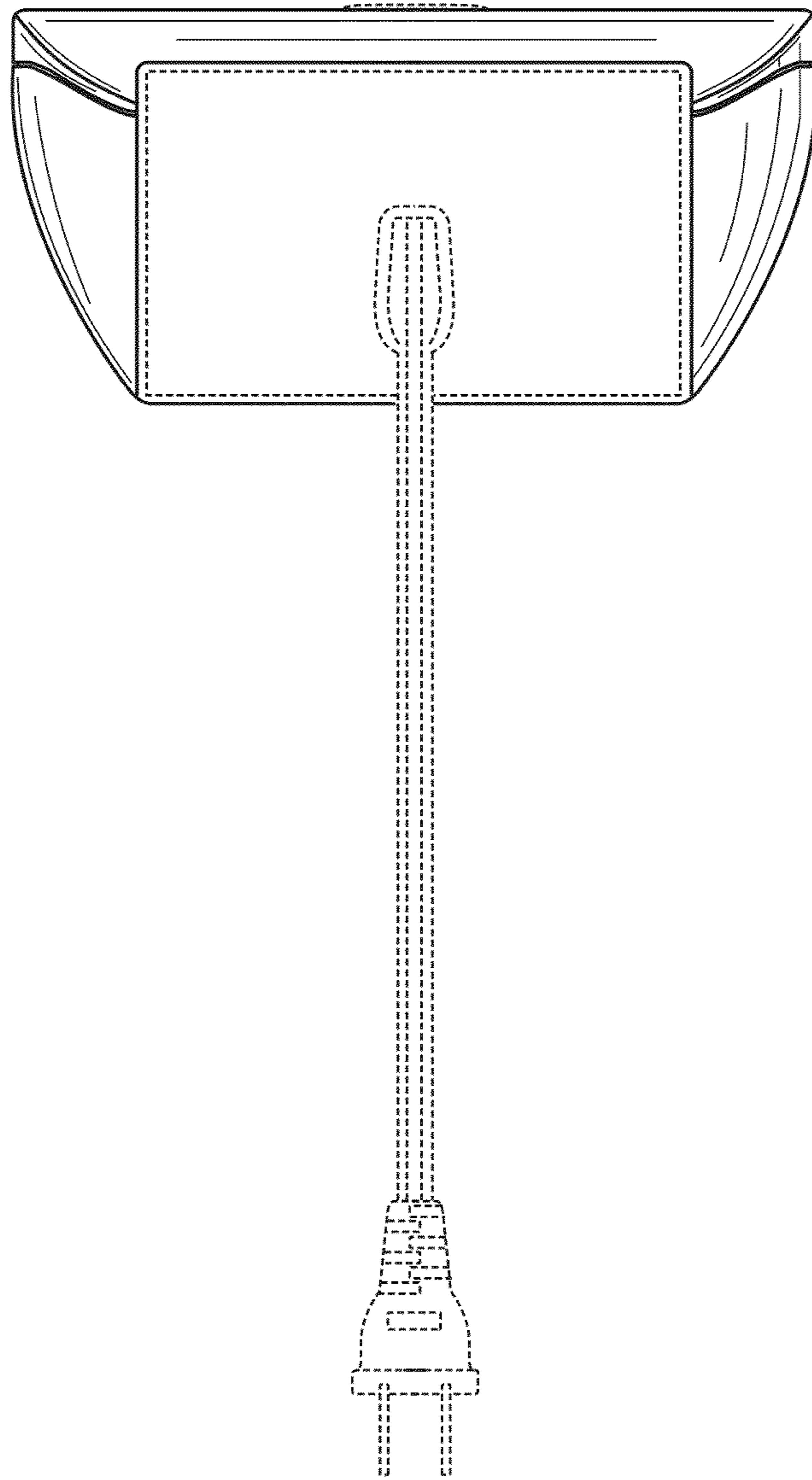


FIG. 7