



US00D700972S

(12) **United States Design Patent**
Sears et al.

(10) **Patent No.:** **US D700,972 S**
(45) **Date of Patent:** **** Mar. 11, 2014**

(54) **THREE CURVED VANE HYDROTHERAPY
JET ESCUTCHEON**

(71) Applicants: **William Sears**, Oxnard, CA (US);
Patricia Kirsch, Oxnard, CA (US)

(72) Inventors: **William Sears**, Oxnard, CA (US);
Patricia Kirsch, Oxnard, CA (US)

(73) Assignee: **Waterway Plastics**, Oxnard, CA (US)

(**) Term: **14 Years**

(21) Appl. No.: **29/449,553**

(22) Filed: **Mar. 15, 2013**

(51) **LOC (10) Cl.** **28-03**

(52) **U.S. Cl.**
USPC **D24/201**

(58) **Field of Classification Search**
USPC D24/201, 204, 205; D23/254, 277, 278,
D23/276, 280.1–280.3; 601/154–158;
4/541.1–541.6, 547, 578.1, 579
See application file for complete search history.

(56) **References Cited**

U.S. PATENT DOCUMENTS

5,810,262	A *	9/1998	Ton	4/541.4
6,263,522	B1 *	7/2001	Dongo et al.	4/541.6
6,334,224	B1 *	1/2002	Chalberg et al.	4/541.6
D531,730	S *	11/2006	Loyd	D24/201

D573,715	S *	7/2008	Holtsnider et al.	D24/201
D574,501	S *	8/2008	Holtsnider et al.	D24/201
D574,964	S *	8/2008	Holtsnider et al.	D24/201
D591,863	S *	5/2009	Holtsnider et al.	D24/204
D608,009	S *	1/2010	Vogtner et al.	D24/204
7,832,029	B2 *	11/2010	Holtsnider	4/541.6
8,069,505	B2 *	12/2011	Walker	4/541.6
8,458,825	B2 *	6/2013	Peng et al.	4/541.6
D689,192	S *	9/2013	Loyd	D24/201

* cited by examiner

Primary Examiner — David Muller

(74) *Attorney, Agent, or Firm* — Sandy Lipkin

(57) **CLAIM**

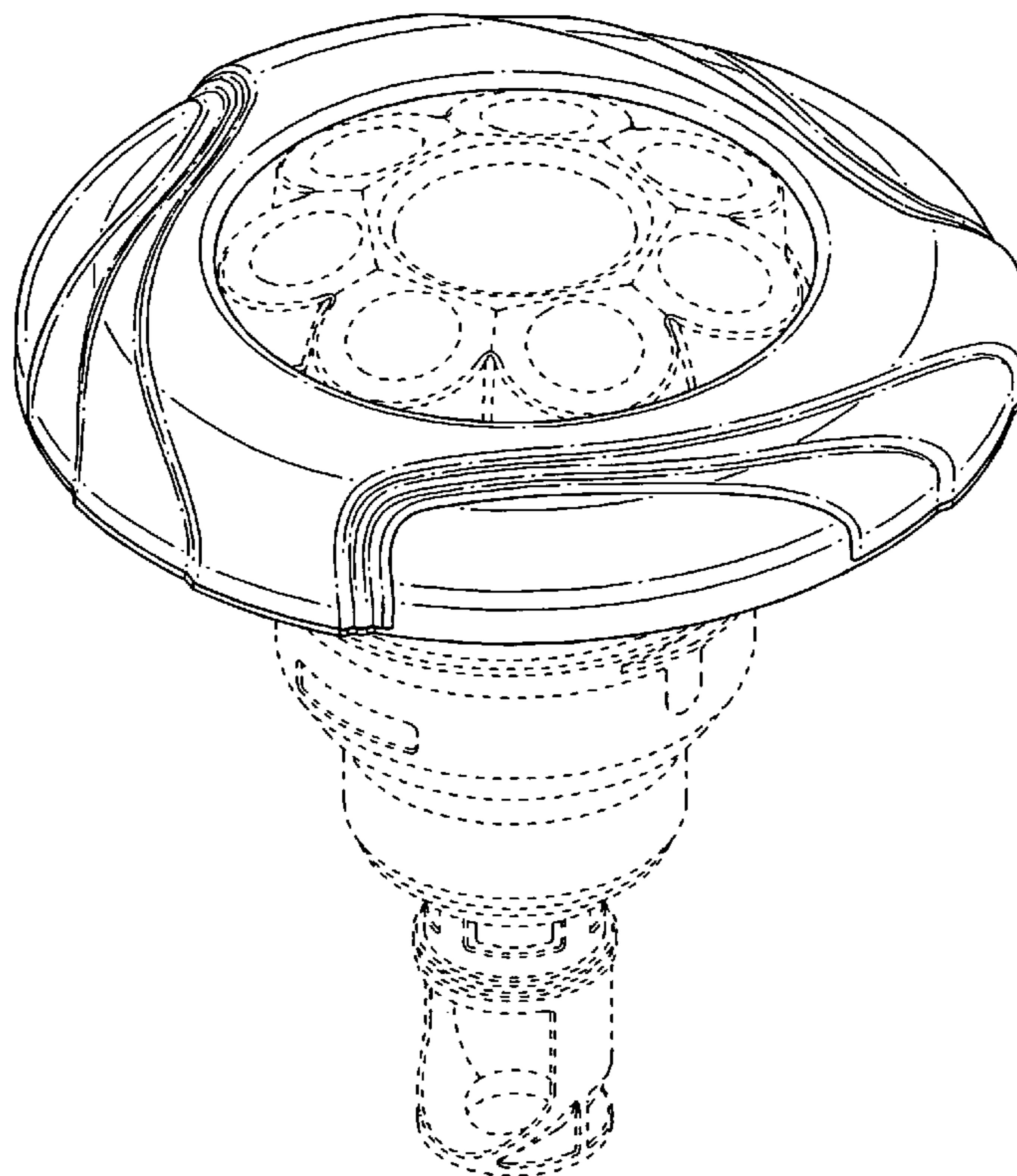
The ornamental design for a three curved vane hydrotherapy jet escutcheon, as shown and described.

DESCRIPTION

FIG. 1 is a perspective view of the three curved vane hydrotherapy jet escutcheon.
FIG. 2 is a first side view thereof;
FIG. 3 is a second side view thereof;
FIG. 4 is a third side view thereof;
FIG. 5 is a fourth side view thereof;
FIG. 6 is a top view thereof; and,
FIG. 7 is a bottom view thereof.

The broken line showing of parts of the drawings is included for the purpose of illustrating use and environment and forms no part of the claimed design.

1 Claim, 7 Drawing Sheets



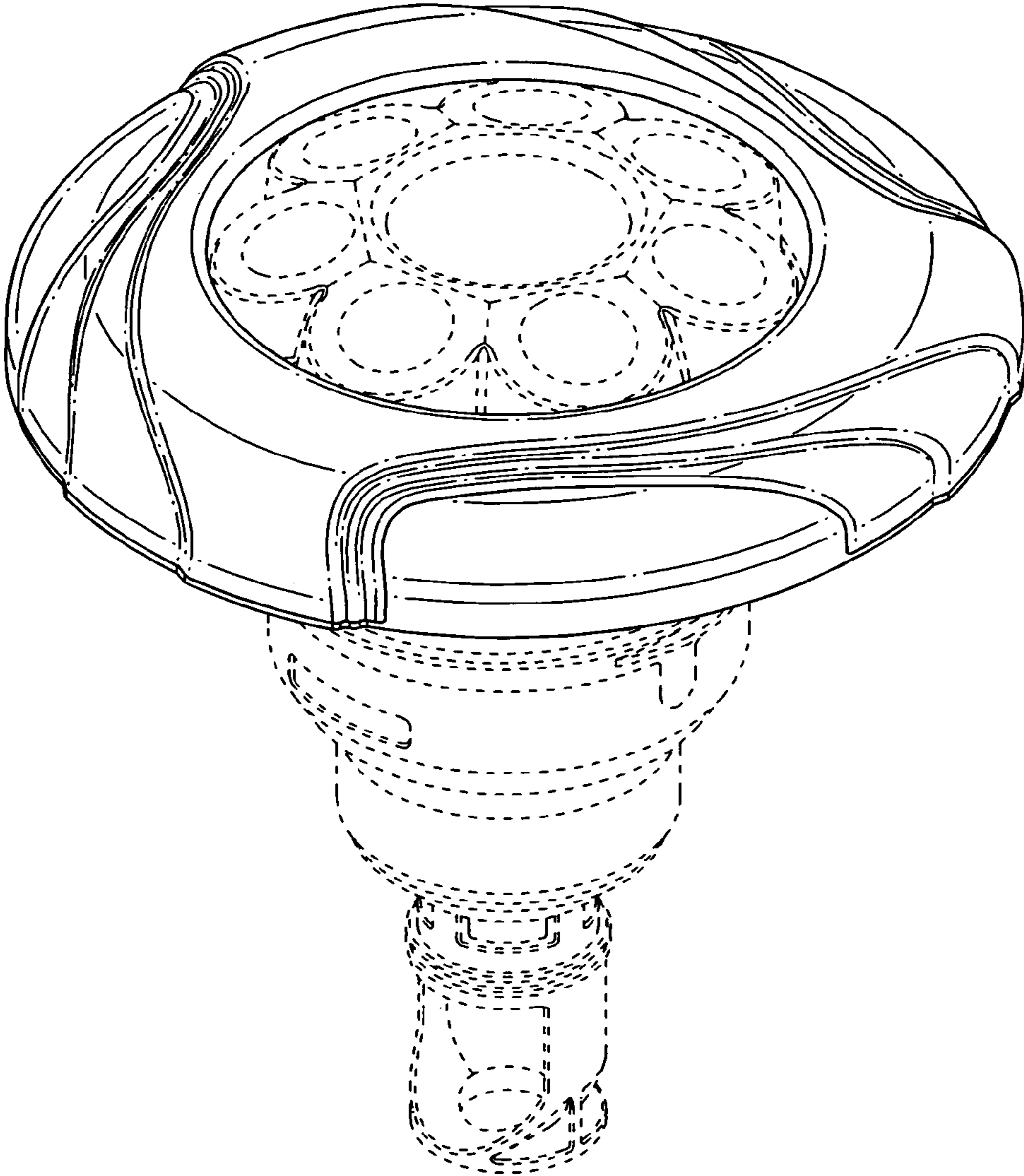


FIG. 1

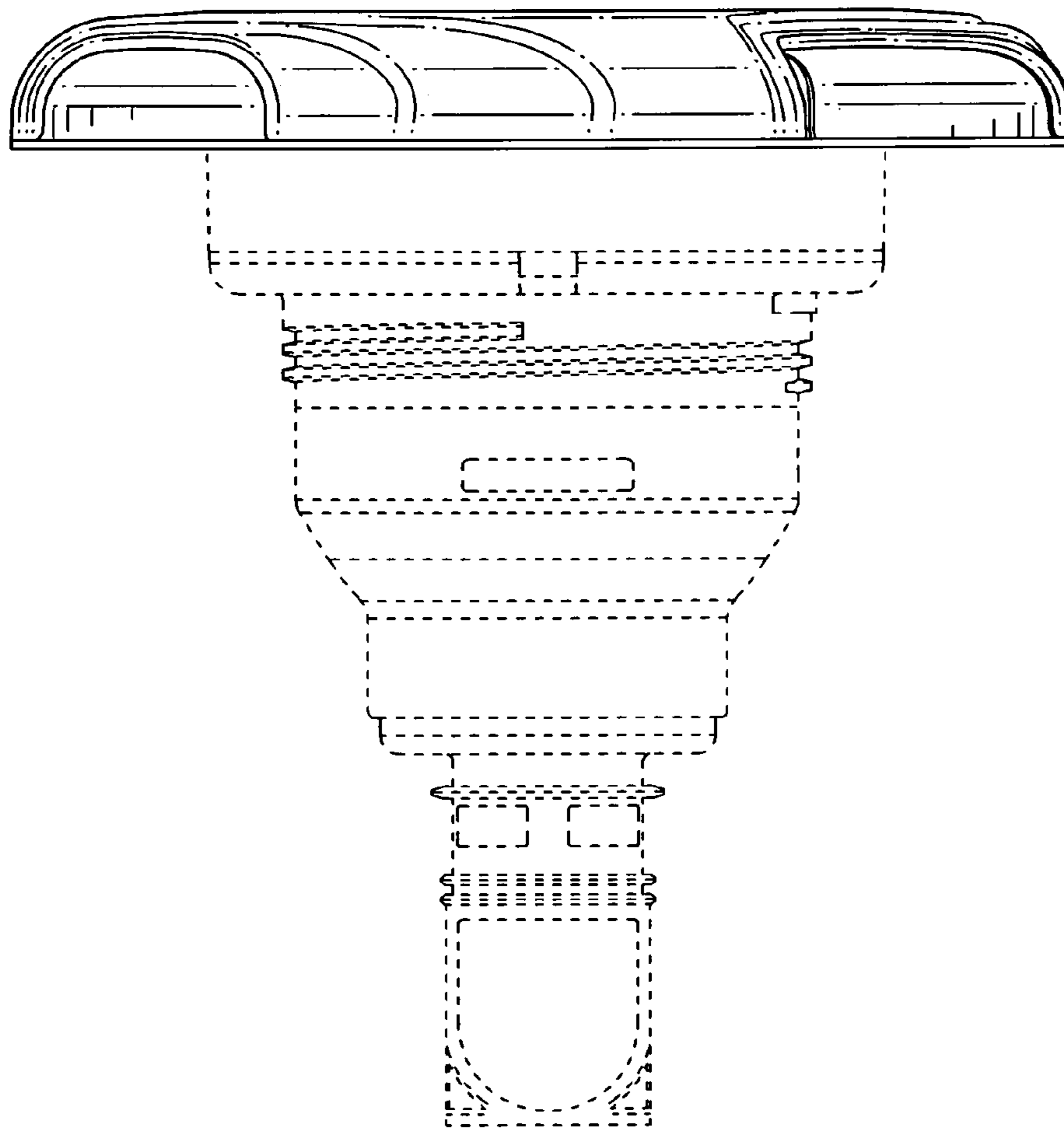


FIG. 2

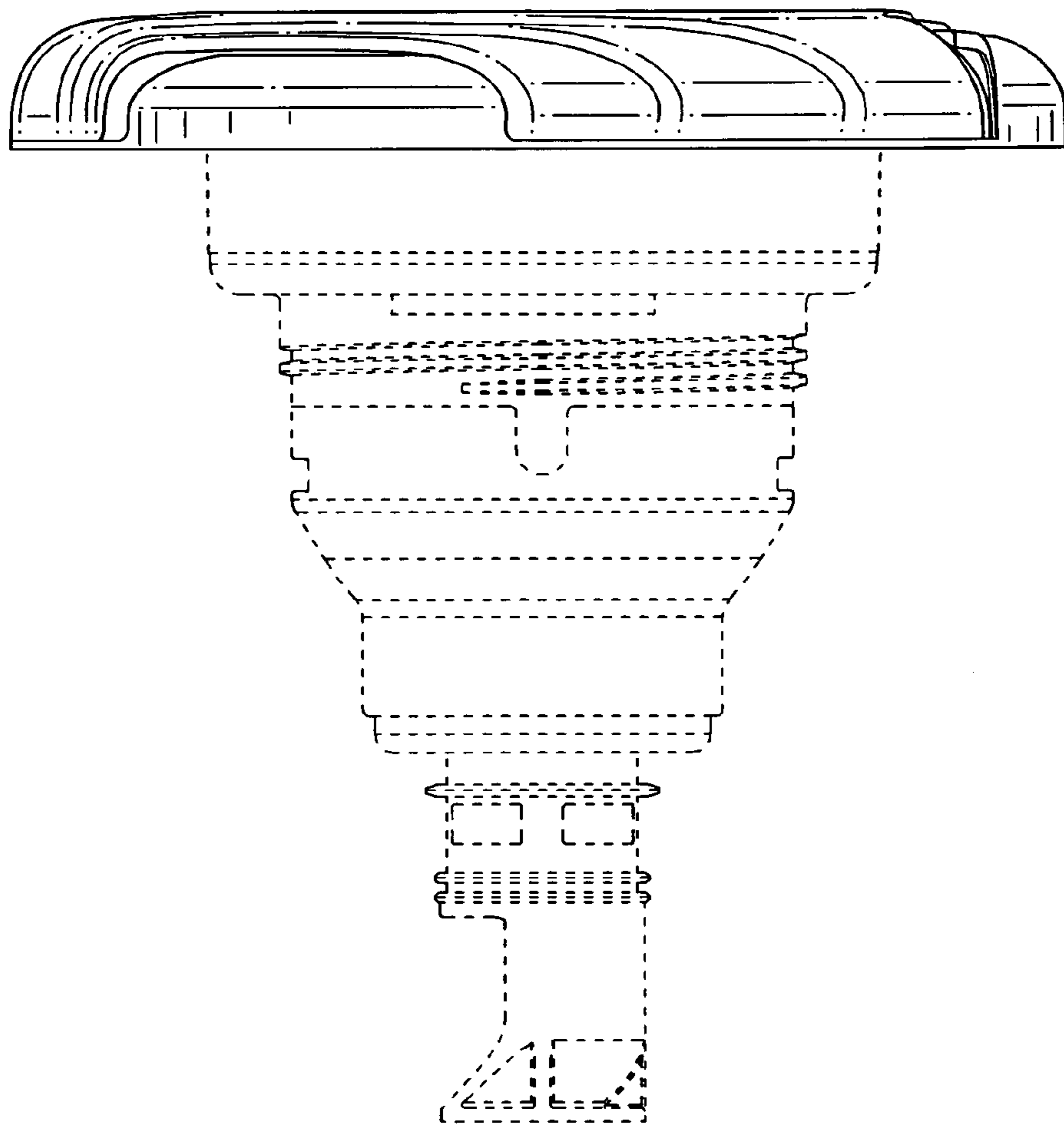


FIG. 3

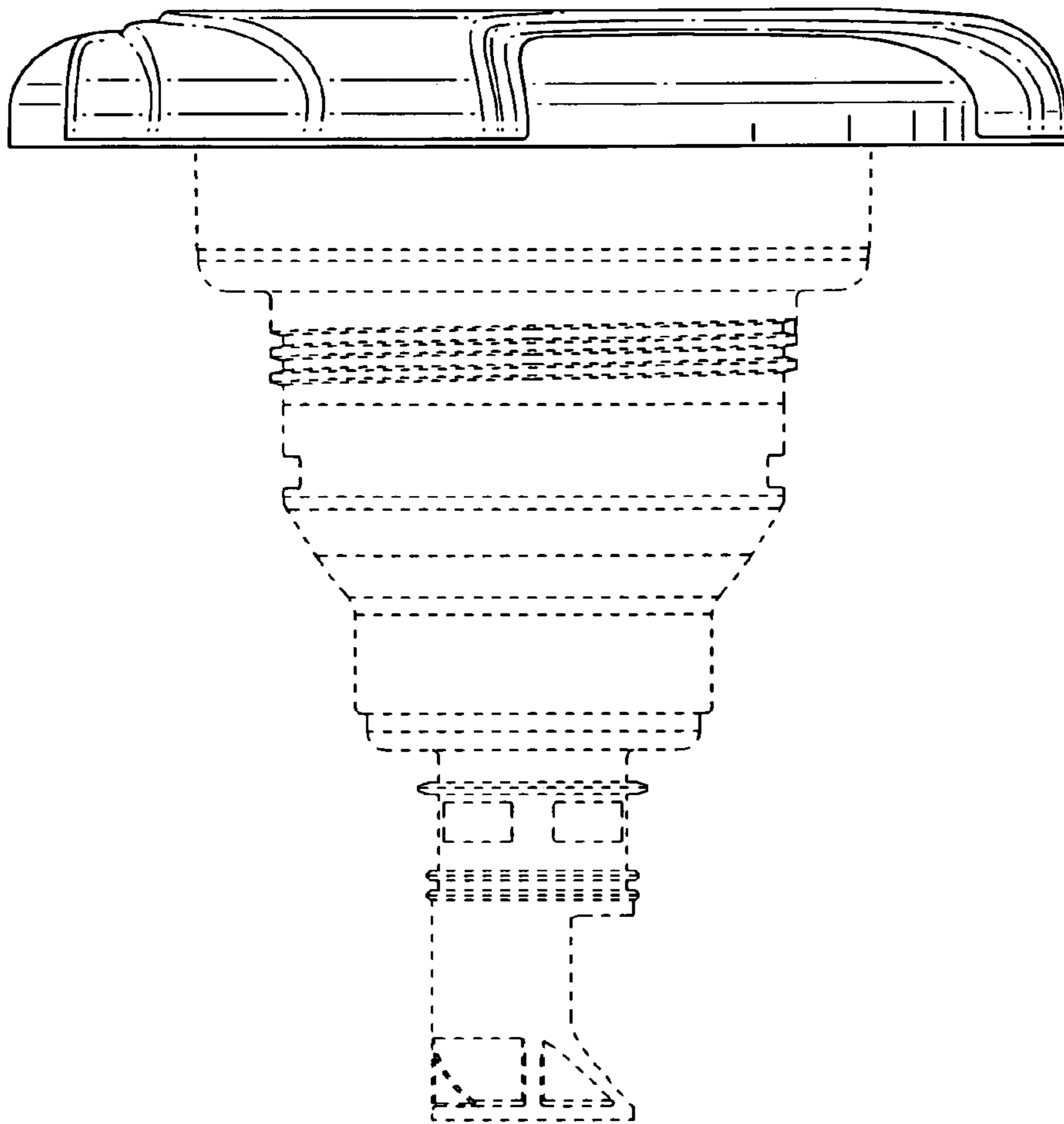


FIG. 4

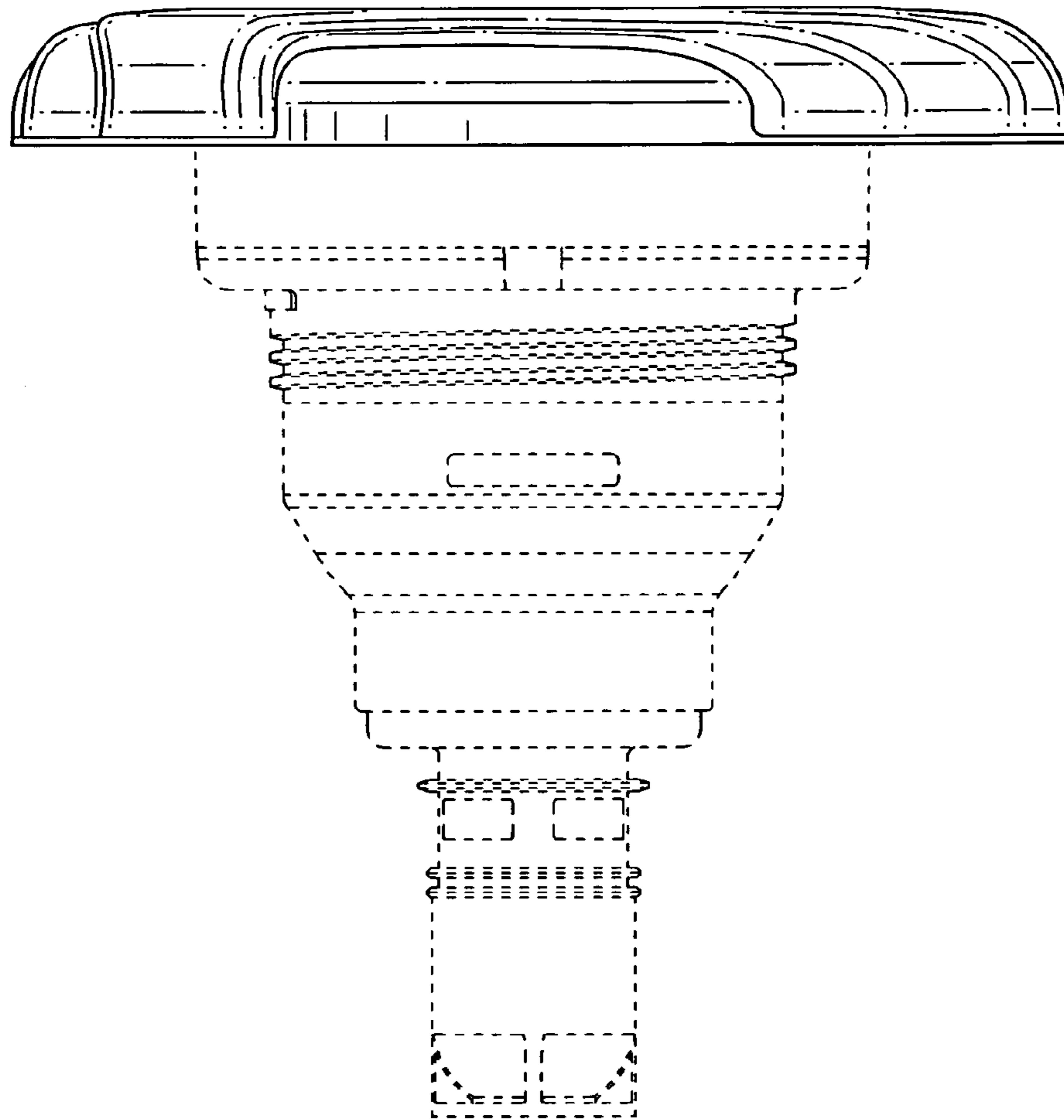


FIG. 5

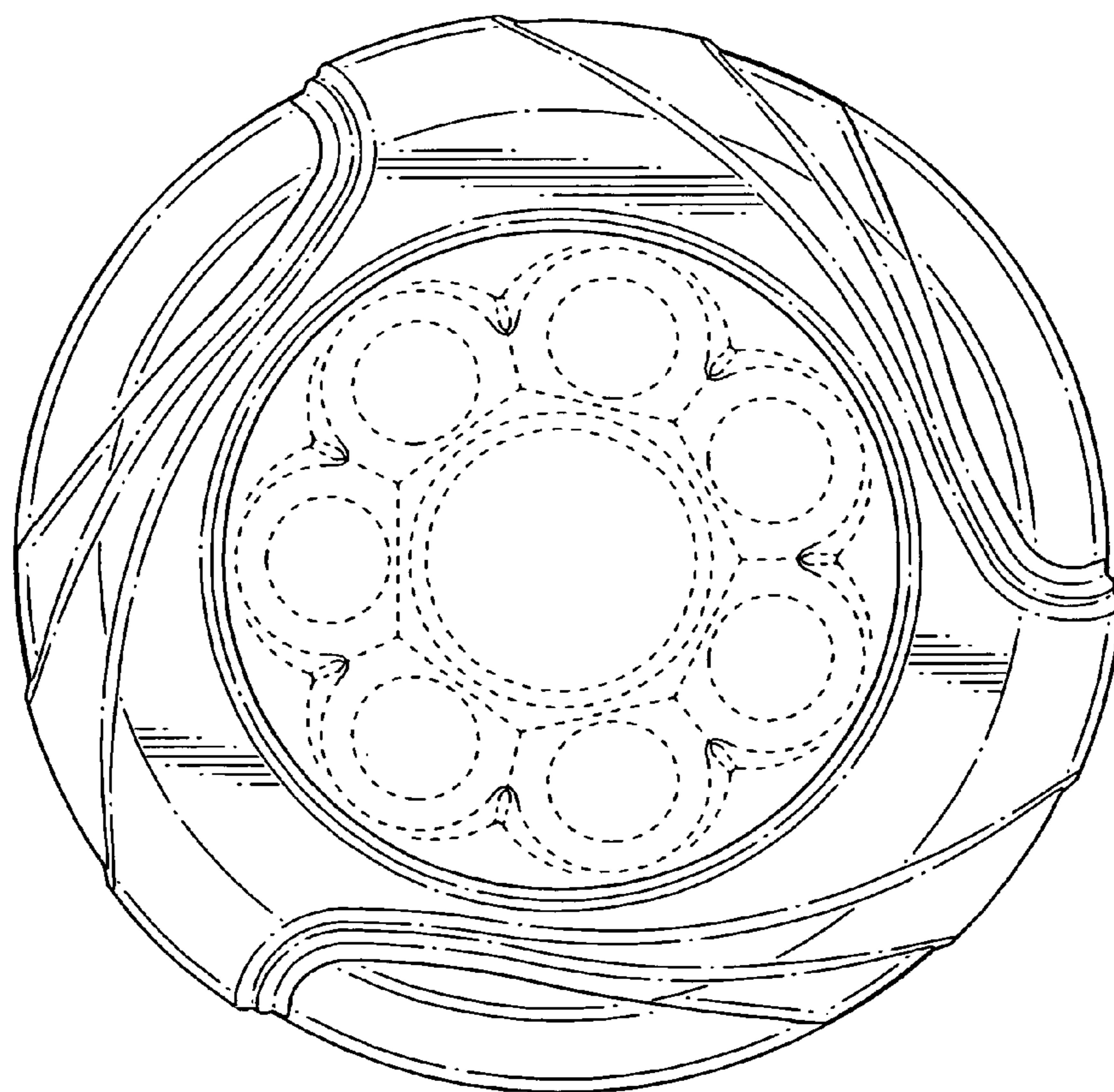


FIG. 6

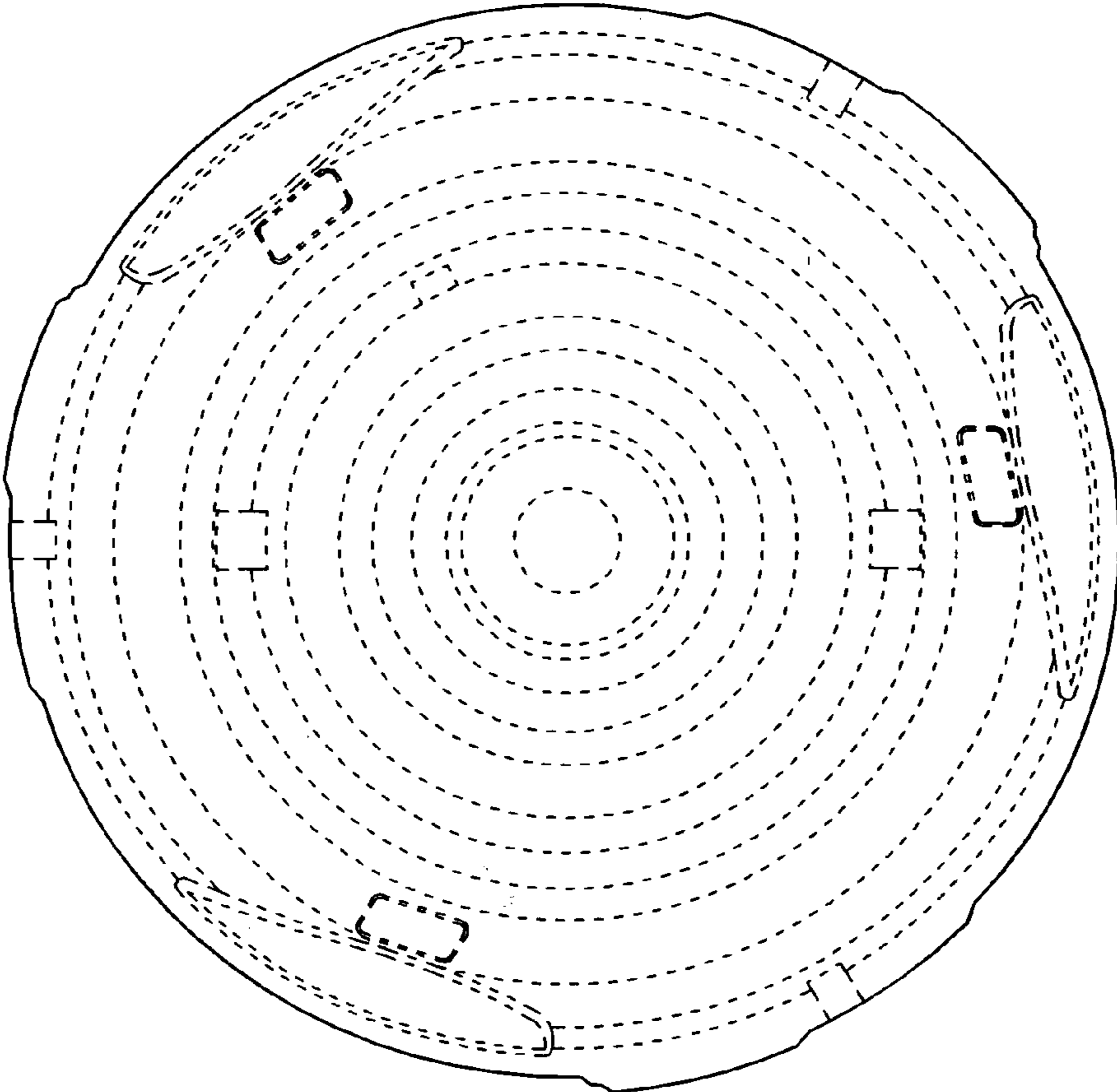


FIG. 7