



US00D700971S

(12) **United States Design Patent**  
**Alvarado**

(10) **Patent No.:** **US D700,971 S**  
(45) **Date of Patent:** **\*\* Mar. 11, 2014**

- (54) **BABY BOTTLE HOLDER**
- (71) Applicant: **Robert Alvarado**, San Antonio, TX (US)
- (72) Inventor: **Robert Alvarado**, San Antonio, TX (US)
- (\*\*) Term: **14 Years**
- (21) Appl. No.: **29/439,809**
- (22) Filed: **Dec. 14, 2012**
- (51) **LOC (10) Cl.** ..... **07-01**
- (52) **U.S. Cl.**  
USPC ..... **D24/199**
- (58) **Field of Classification Search**  
USPC ..... D24/199; 248/102–107, 548; 215/397  
See application file for complete search history.

(56) **References Cited**

U.S. PATENT DOCUMENTS

4,034,945	A *	7/1977	Sato	248/103
4,114,847	A *	9/1978	Bogensberger	248/104
D273,044	S *	3/1984	Holcomb	D24/199
4,735,388	A *	4/1988	Marks	248/103
D300,560	S *	4/1989	Losito	D24/199
4,865,239	A	9/1989	Timbrook	
D313,472	S *	1/1991	Pierce	D24/199
4,989,811	A	2/1991	Millis et al.	
D337,162	S *	7/1993	Rollins	D24/199
D353,462	S *	12/1994	McBeth	D24/199
D356,379	S *	3/1995	Ibinger	D24/199
5,489,075	A *	2/1996	Ible	248/104
5,603,479	A *	2/1997	Kristy	248/548
5,613,657	A	3/1997	Olaiz	
5,664,746	A *	9/1997	Benzakarya	248/106
5,704,505	A *	1/1998	Singh	215/397
5,823,486	A *	10/1998	Smith et al.	248/104
5,862,927	A	1/1999	Tebeau	

D413,984	S *	9/1999	Lindsey	D24/199
6,056,246	A *	5/2000	Argy, II	248/103
D438,626	S *	3/2001	Broussard et al.	D24/199
6,250,592	B1 *	6/2001	Davis	248/104
D451,201	S *	11/2001	Maypa	D24/199
D462,775	S *	9/2002	Minor	D24/199
7,419,125	B2	9/2008	Simone	
D626,654	S	11/2010	Carter	
D628,703	S *	12/2010	Rodriguez	D24/199

\* cited by examiner

*Primary Examiner* — Cathron Brooks  
*Assistant Examiner* — Sydney R Buffalow

(57) **CLAIM**

The ornamental design for a baby bottle holder, as shown and described.

**DESCRIPTION**

FIG. 1 is a perspective view of a baby bottle holder showing my new design;

FIG. 2 is a front view thereof;

FIG. 3 is a back view thereof;

FIG. 4 is a side view thereof;

FIG. 5 is an opposite side view thereof;

FIG. 6 is a top view thereof;

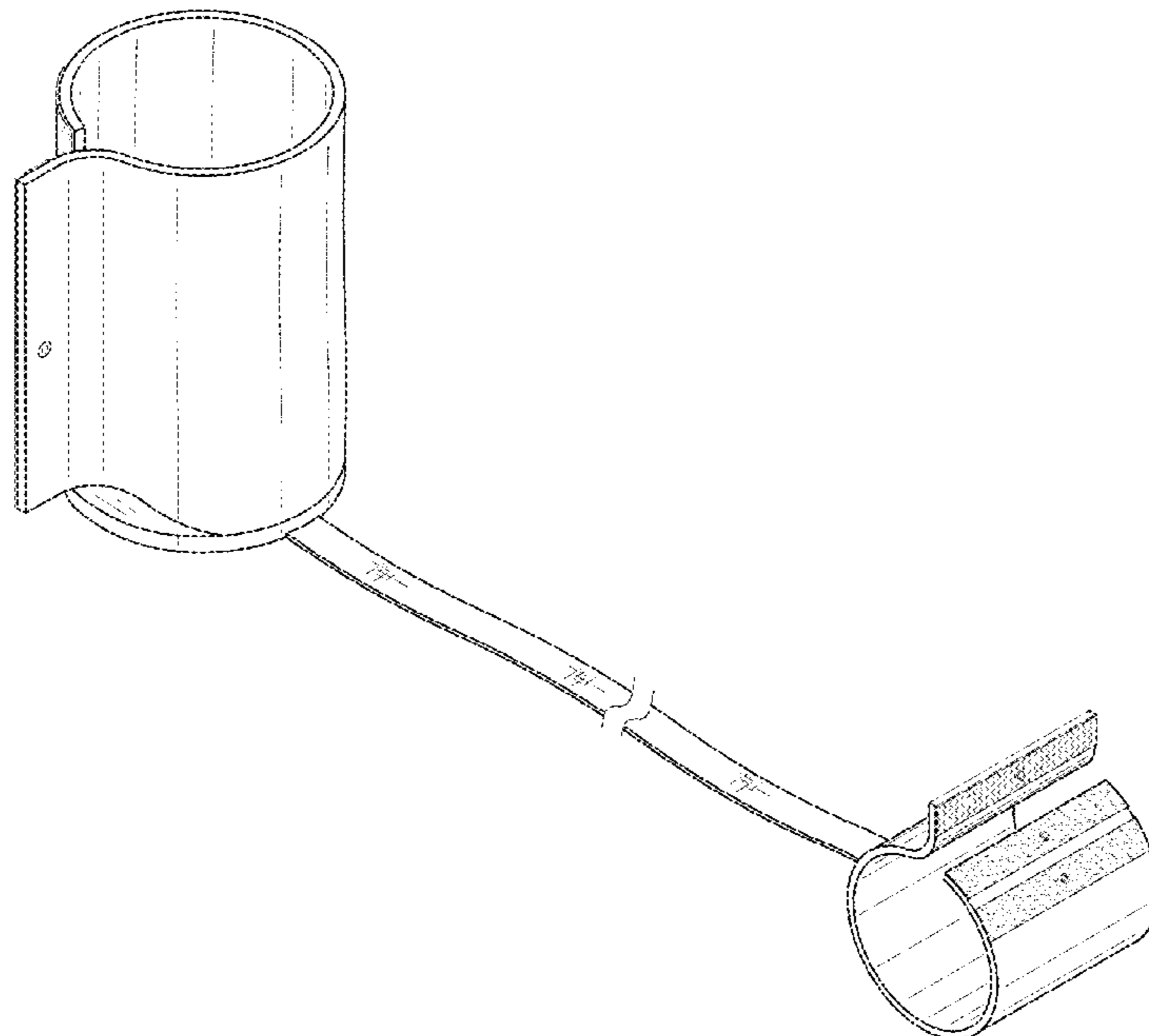
FIG. 7 is a bottom view thereof; and,

FIG. 8 is an in-use perspective view.

In FIG. 8, the broken lines showing the environmental structure for purposes of illustrating the baby bottle holder in a condition of use. The broken lines and the structure they depict form no part of the claimed design.

The symbolic break shown in the strap portion of the baby bottle holder indicates that the appearance of any portion of the article between the break lines forms no part of the claimed design.

**1 Claim, 5 Drawing Sheets**



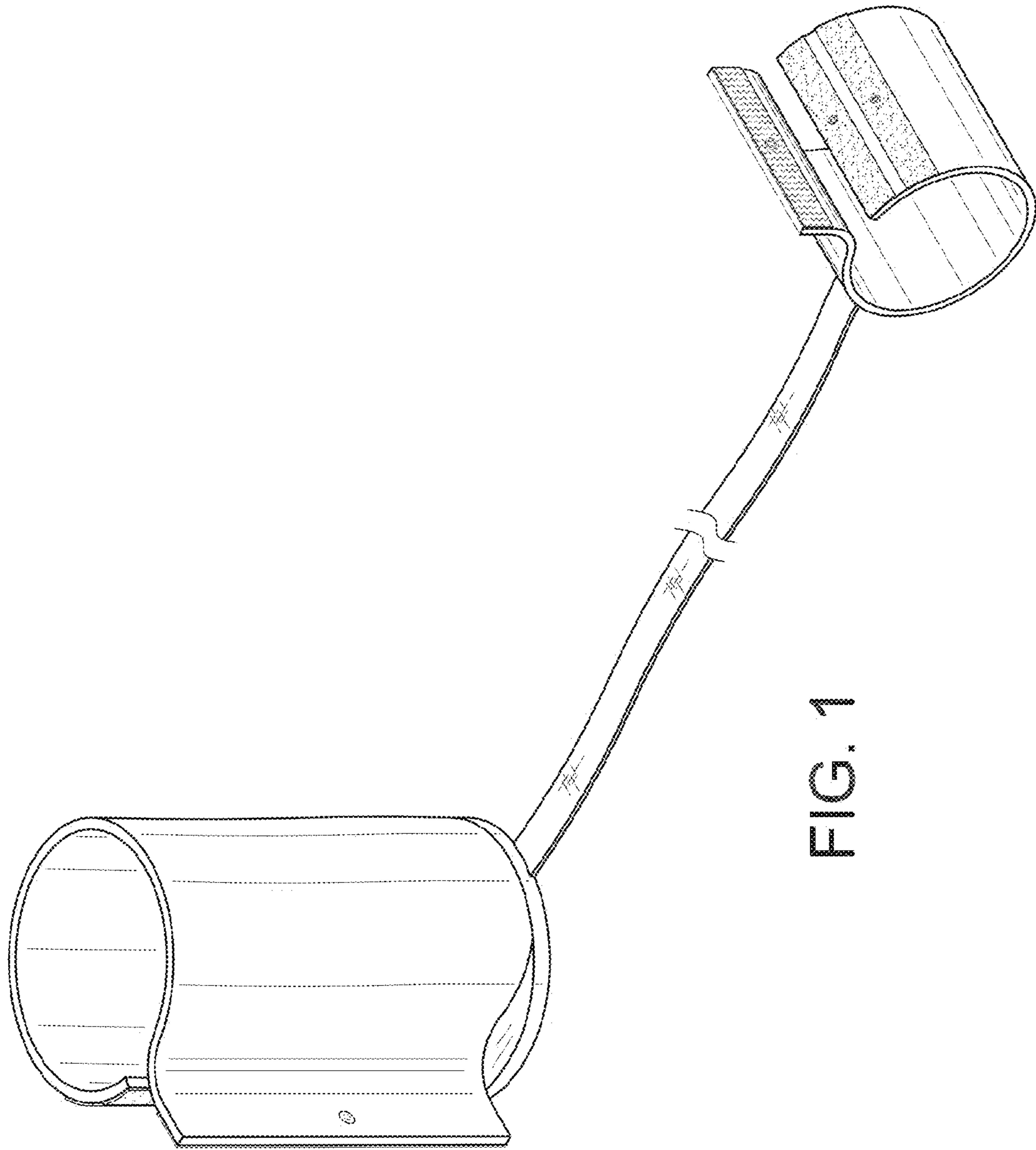


FIG. 1

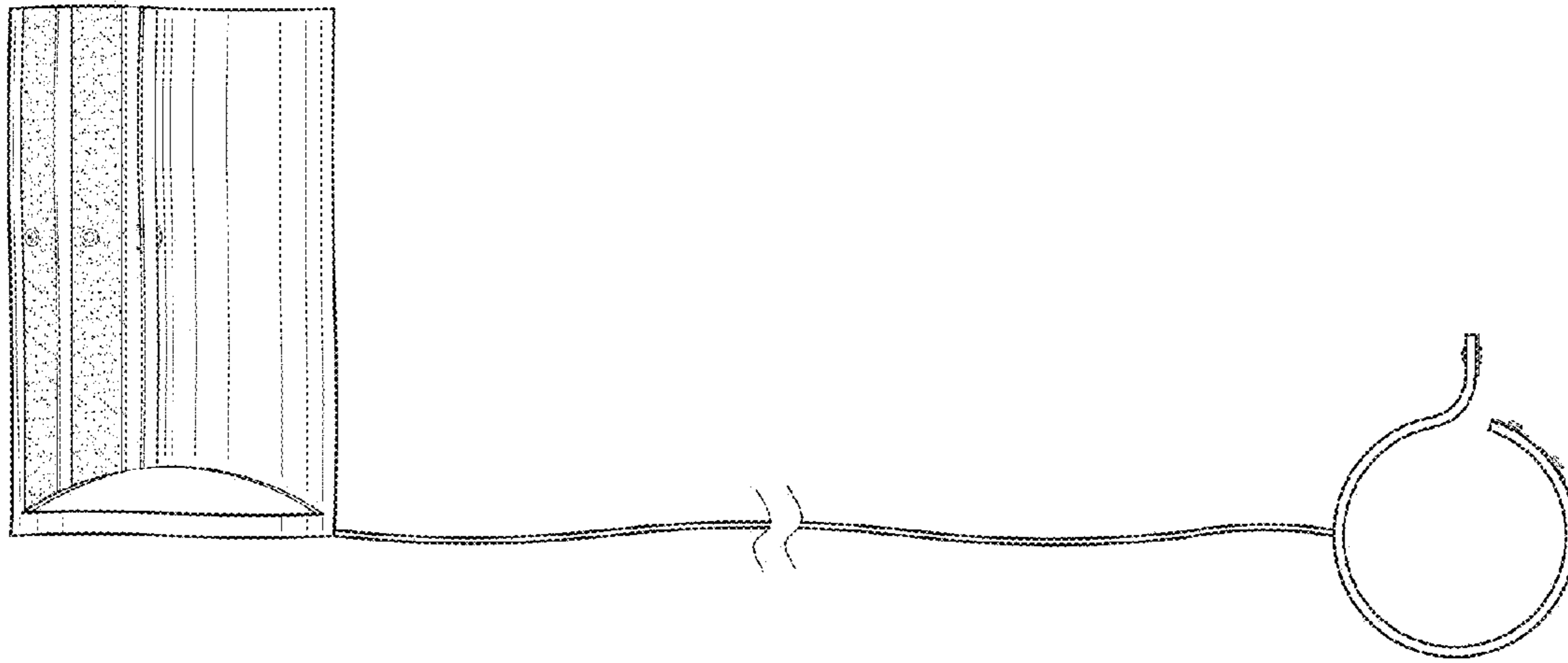


FIG. 2

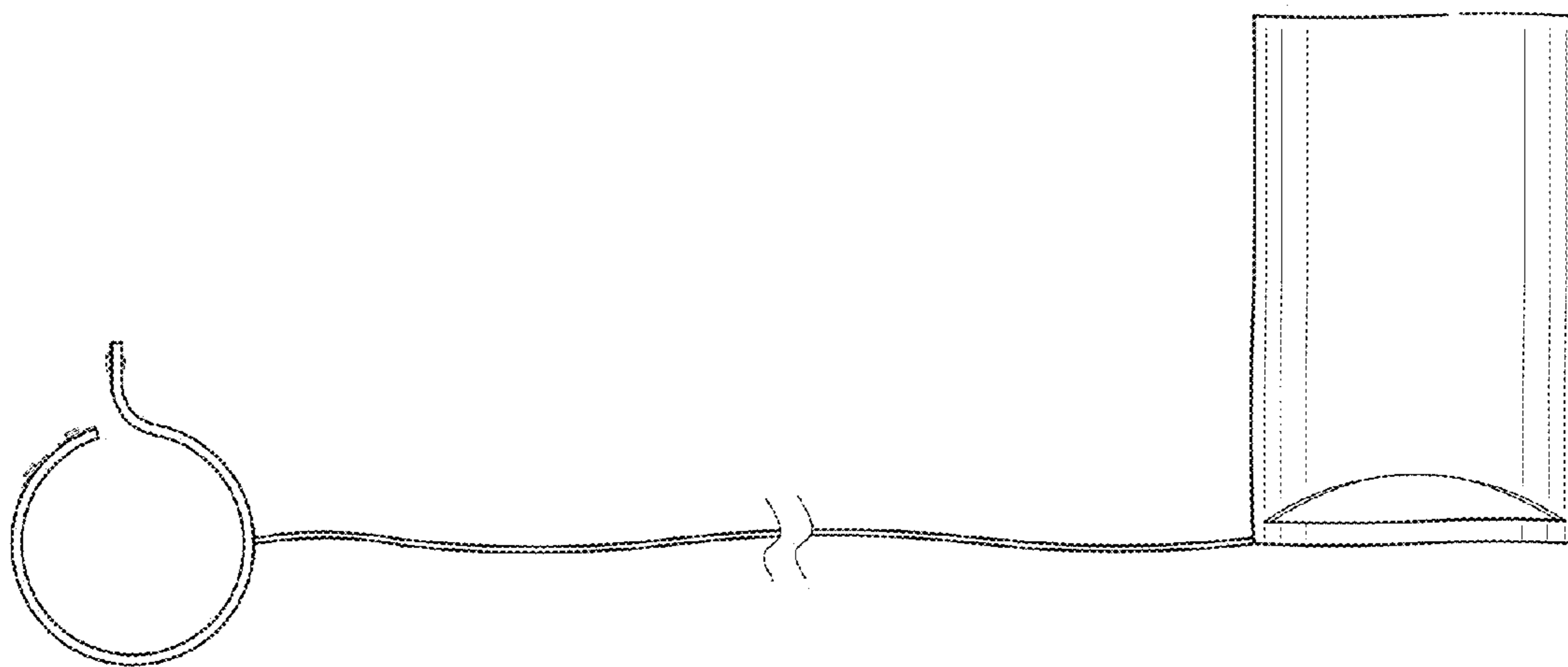


FIG. 3

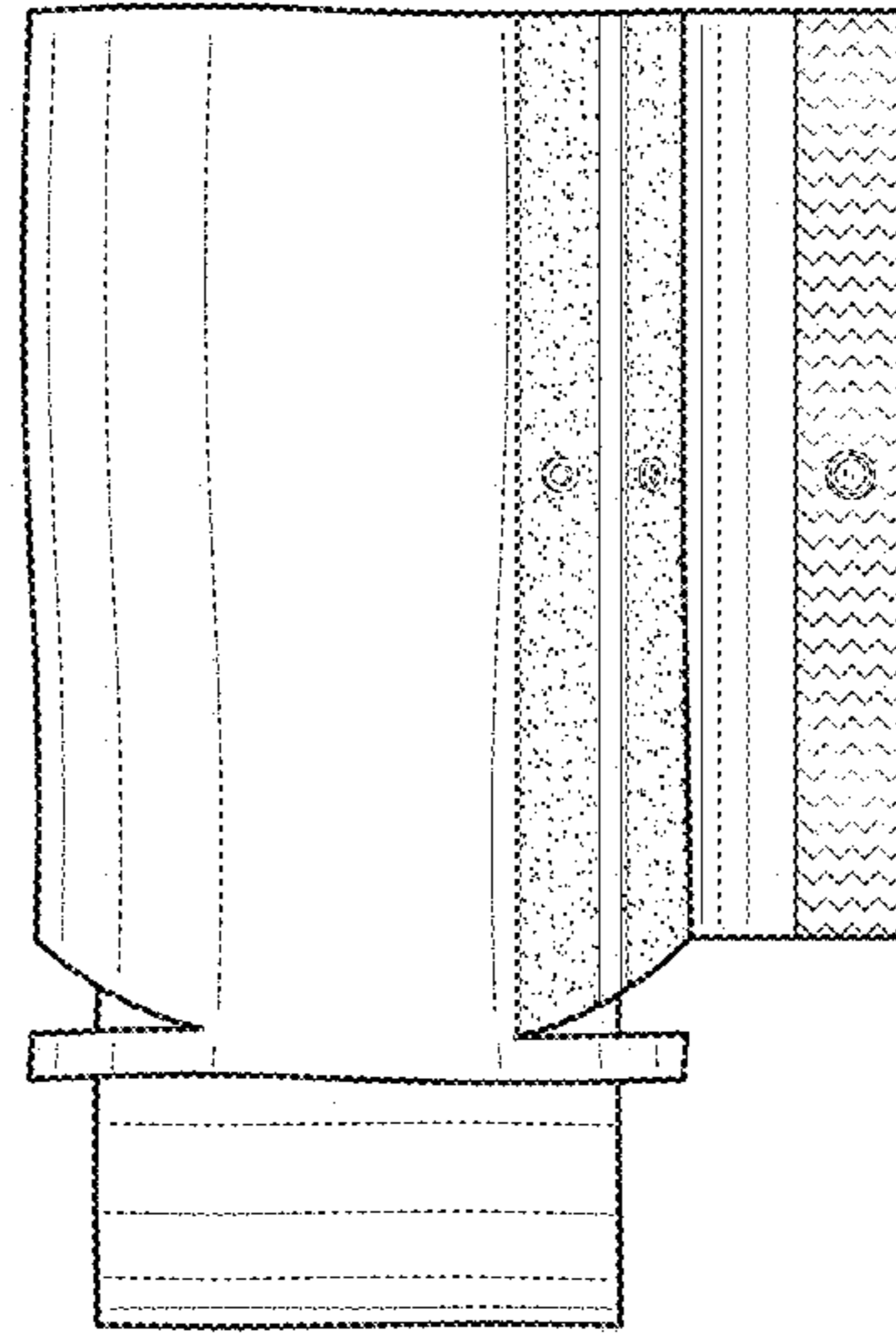


FIG. 4

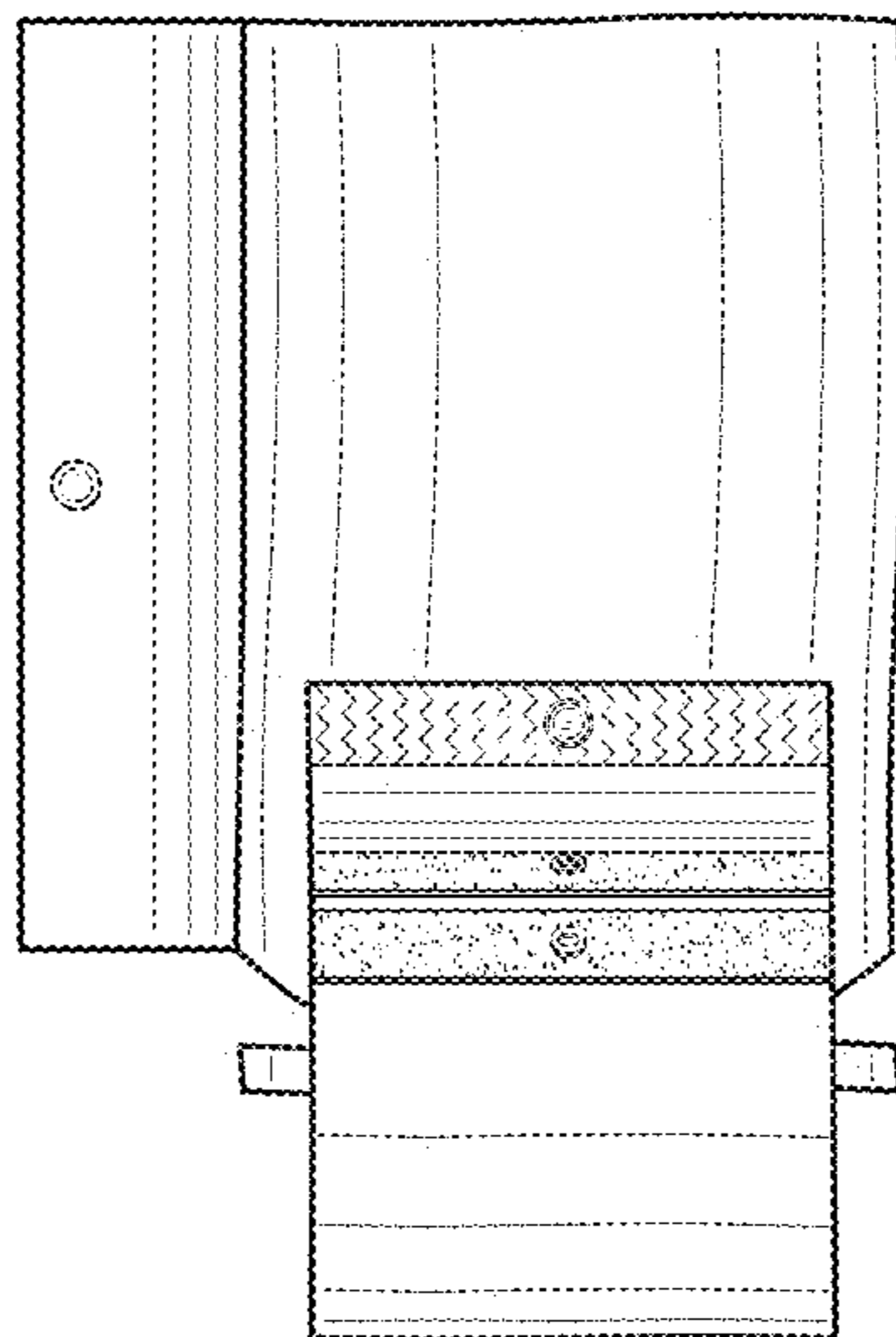


FIG. 5

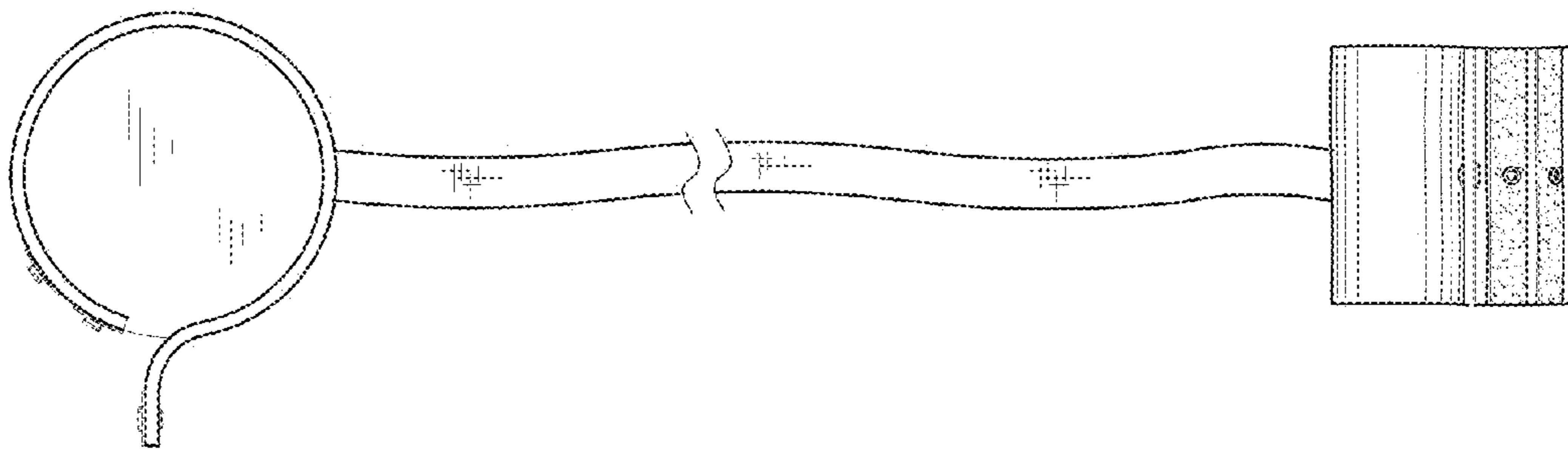


FIG. 6

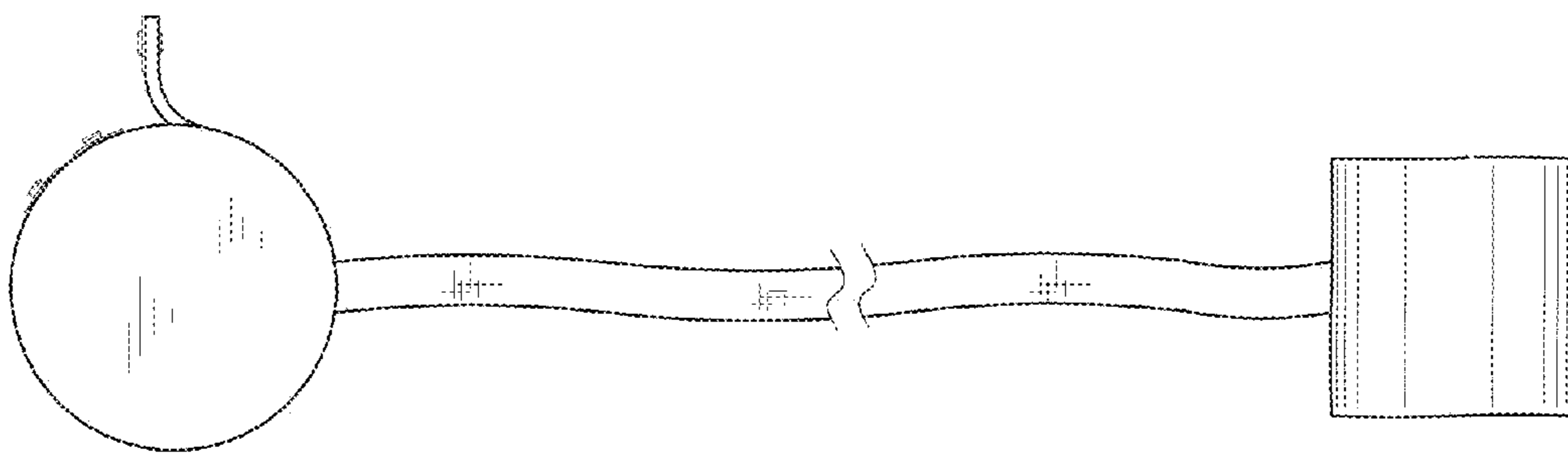


FIG. 7

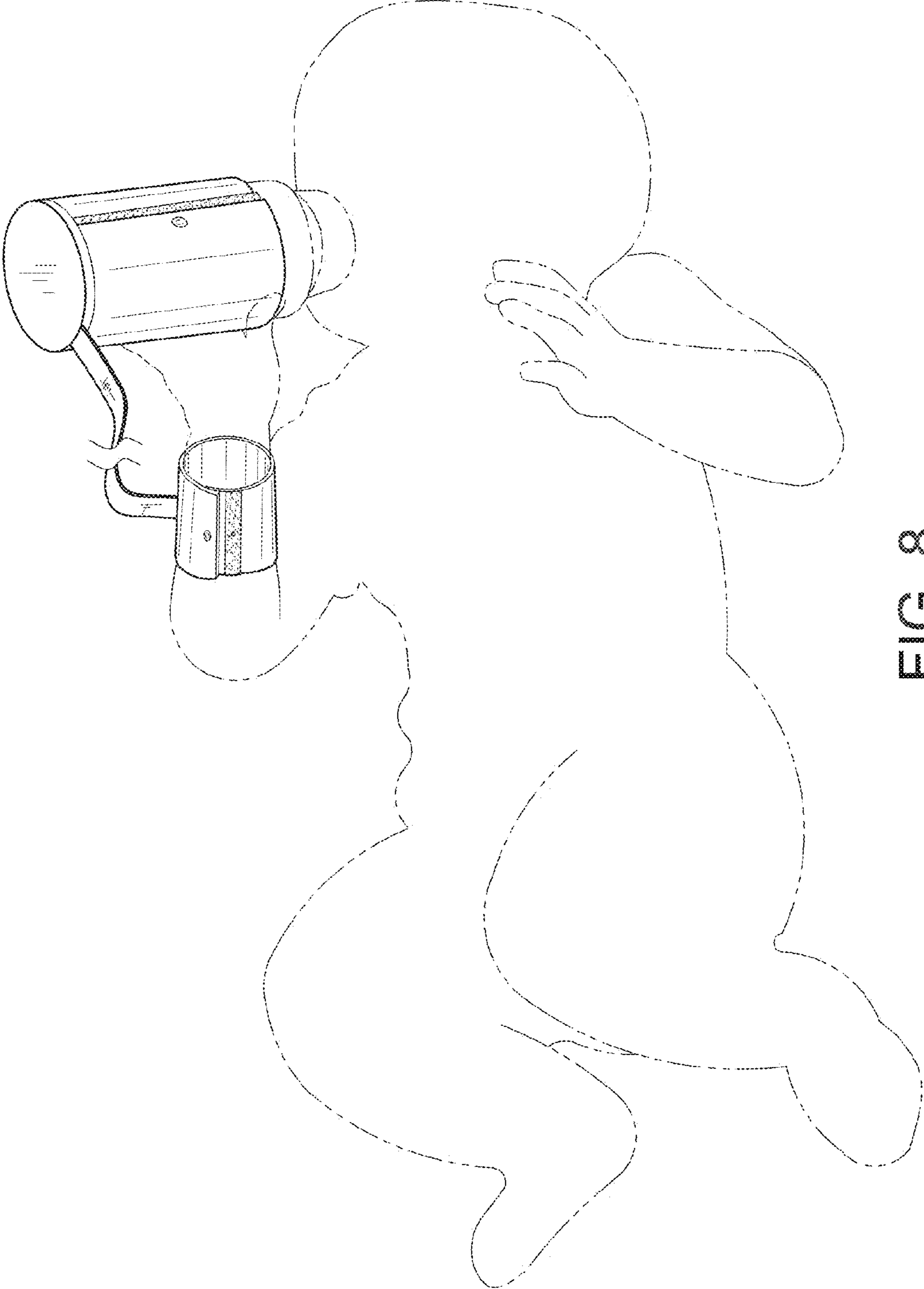


FIG. 8