



US00D700970S

(12) **United States Design Patent**
Kim

(10) **Patent No.:** **US D700,970 S**
(45) **Date of Patent:** **** Mar. 11, 2014**

(54) **PROBE HOLDER FOR ULTRASONIC DIAGNOSTIC EQUIPMENT**

(71) Applicant: **Samsung Electronics Co., Ltd.**,
Suwon-si (KR)

(72) Inventor: **Yun-Su Kim**, Seoul (KR)

(73) Assignee: **Samsung Electronics Co., Ltd.** (KR)

(**) Term: **14 Years**

(21) Appl. No.: **29/437,939**

(22) Filed: **Nov. 21, 2012**

(51) **LOC (10) Cl.** **24-01**

(52) **U.S. Cl.**
USPC **D24/187**

(58) **Field of Classification Search**
USPC D24/107, 141, 158, 164, 165, 167, 170,
D24/186-187, 231, 138, 227; D10/57, 60,
D10/78, 80; 600/407, 461, 459, 437;
378/98.7, 98.8, 189; 367/140; D8/354,
D8/356

See application file for complete search history.

(56) **References Cited**

U.S. PATENT DOCUMENTS

D375,450 S * 11/1996 Bidwell et al. D8/356
D383,968 S * 9/1997 Bidwell et al. D8/356
D391,838 S * 3/1998 Bidwell et al. D8/356
D554,264 S * 10/2007 Watson et al. D24/186

D598,730 S * 8/2009 Luo et al. D8/354
D609,349 S * 2/2010 Pelissier et al. D24/186
D626,239 S * 10/2010 Lia et al. D24/185
D653,347 S * 1/2012 Tani et al. D24/185
D658,766 S * 5/2012 Otoha et al. D24/185
D674,506 S * 1/2013 LaBrasca D24/227
D675,337 S * 1/2013 Peplow D24/227

* cited by examiner

Primary Examiner — T. Chase Nelson

Assistant Examiner — Mark Cavanna

(74) *Attorney, Agent, or Firm* — Cantor Colburn LLP

(57) **CLAIM**

The ornamental design for a probe holder for ultrasonic diagnostic equipment, as shown and described.

DESCRIPTION

FIG. 1 is a perspective view of a probe holder for ultrasonic diagnostic equipment showing my new design;
FIG. 2 is a front view thereof;
FIG. 3 is a rear view thereof;
FIG. 4 is a left side view thereof;
FIG. 5 is a right side view thereof;
FIG. 6 is a top plan view thereof;
FIG. 7 is a bottom plan view thereof; and,
FIG. 8 is a reference view thereof.

The broken lines are shown for illustrative purposes only and form no part of the claimed design

1 Claim, 8 Drawing Sheets

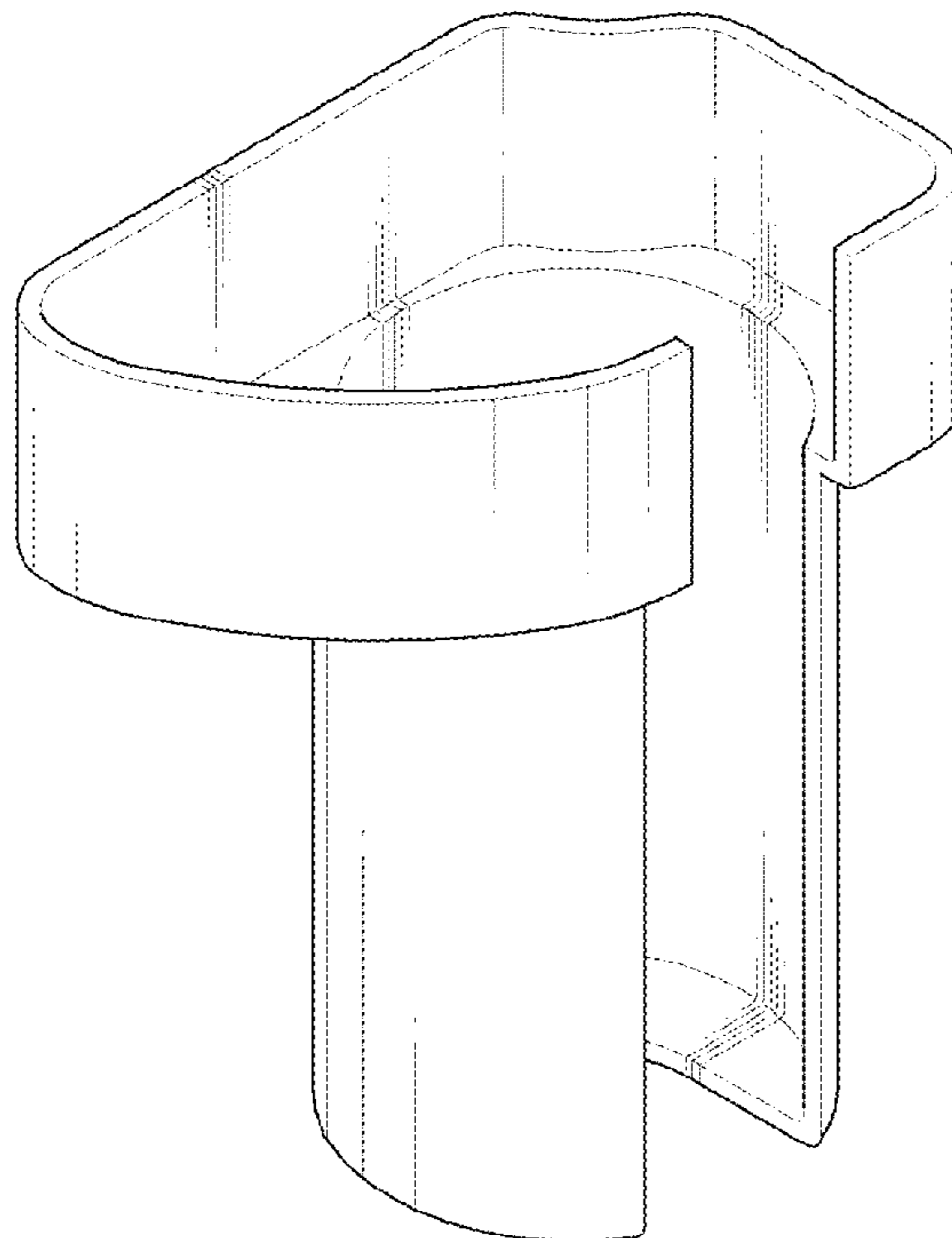


FIG. 1

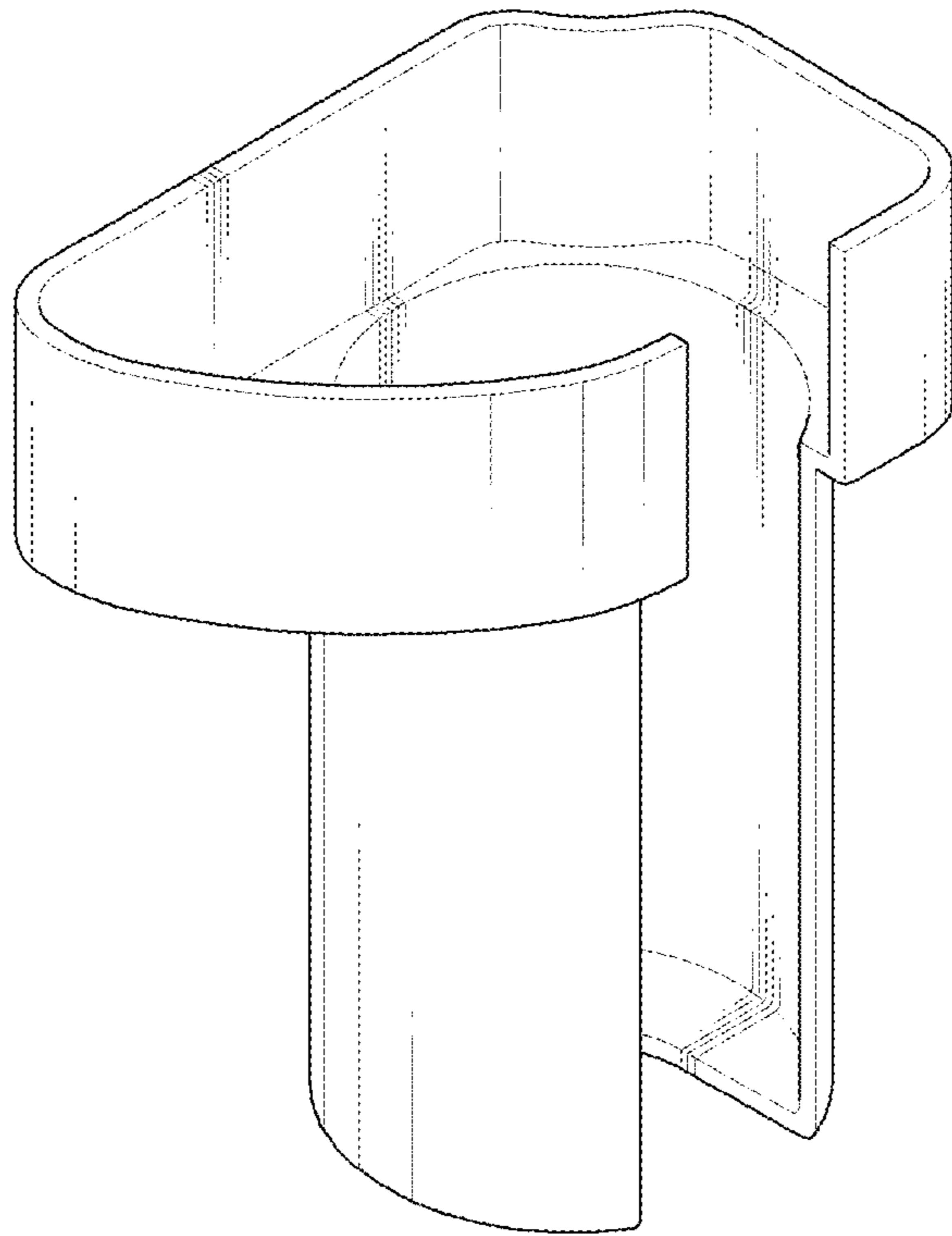


FIG.2

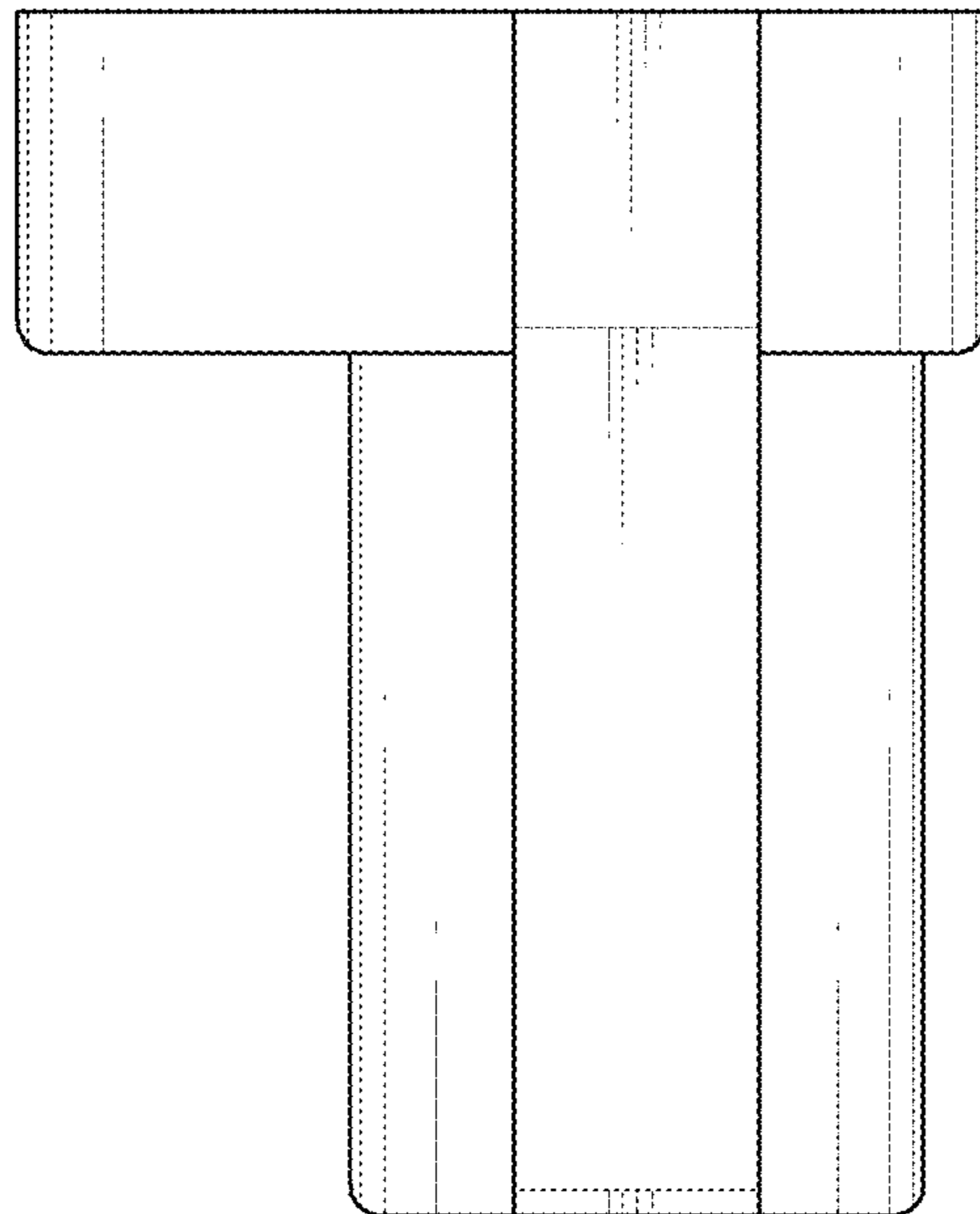


FIG. 3

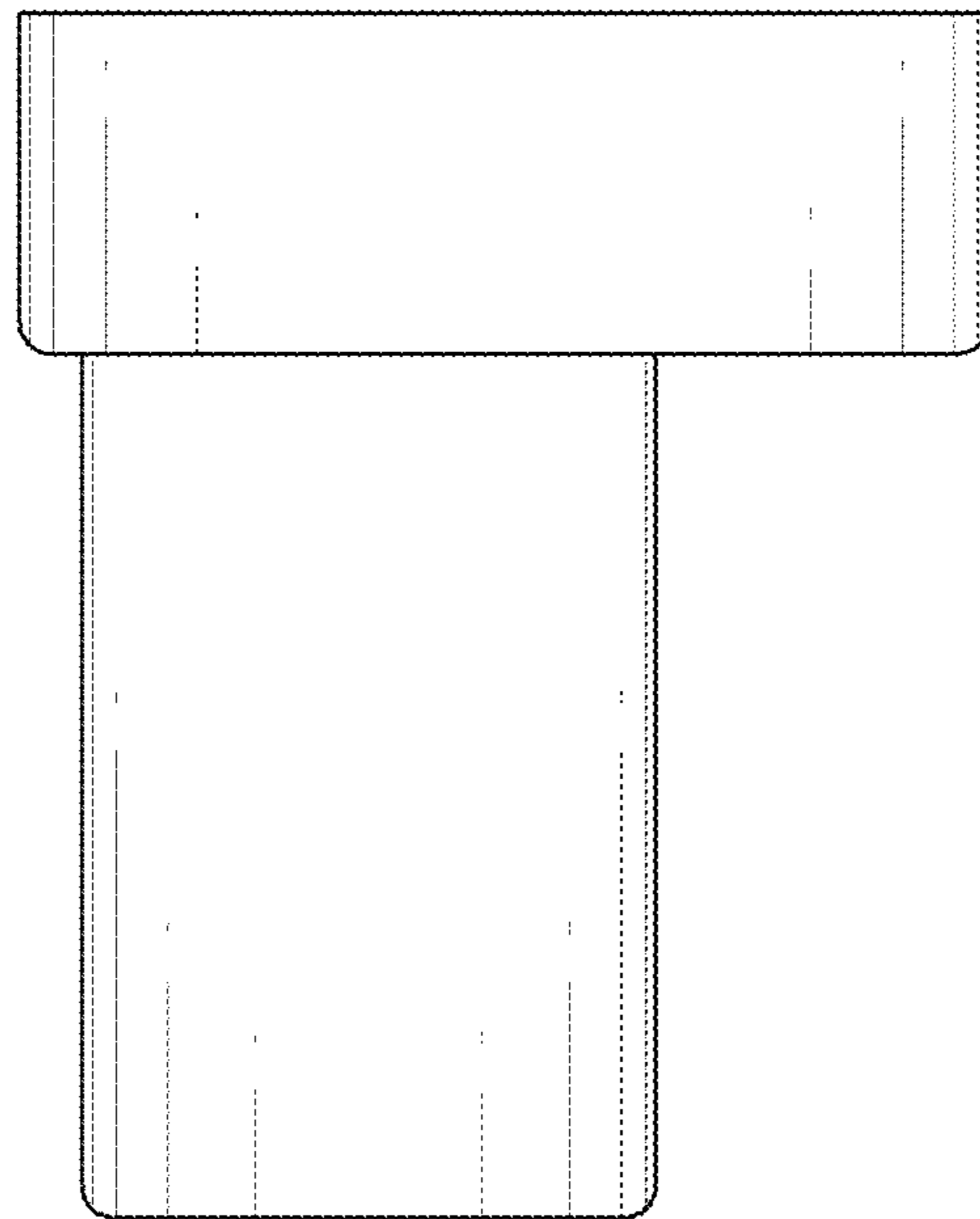


FIG. 4

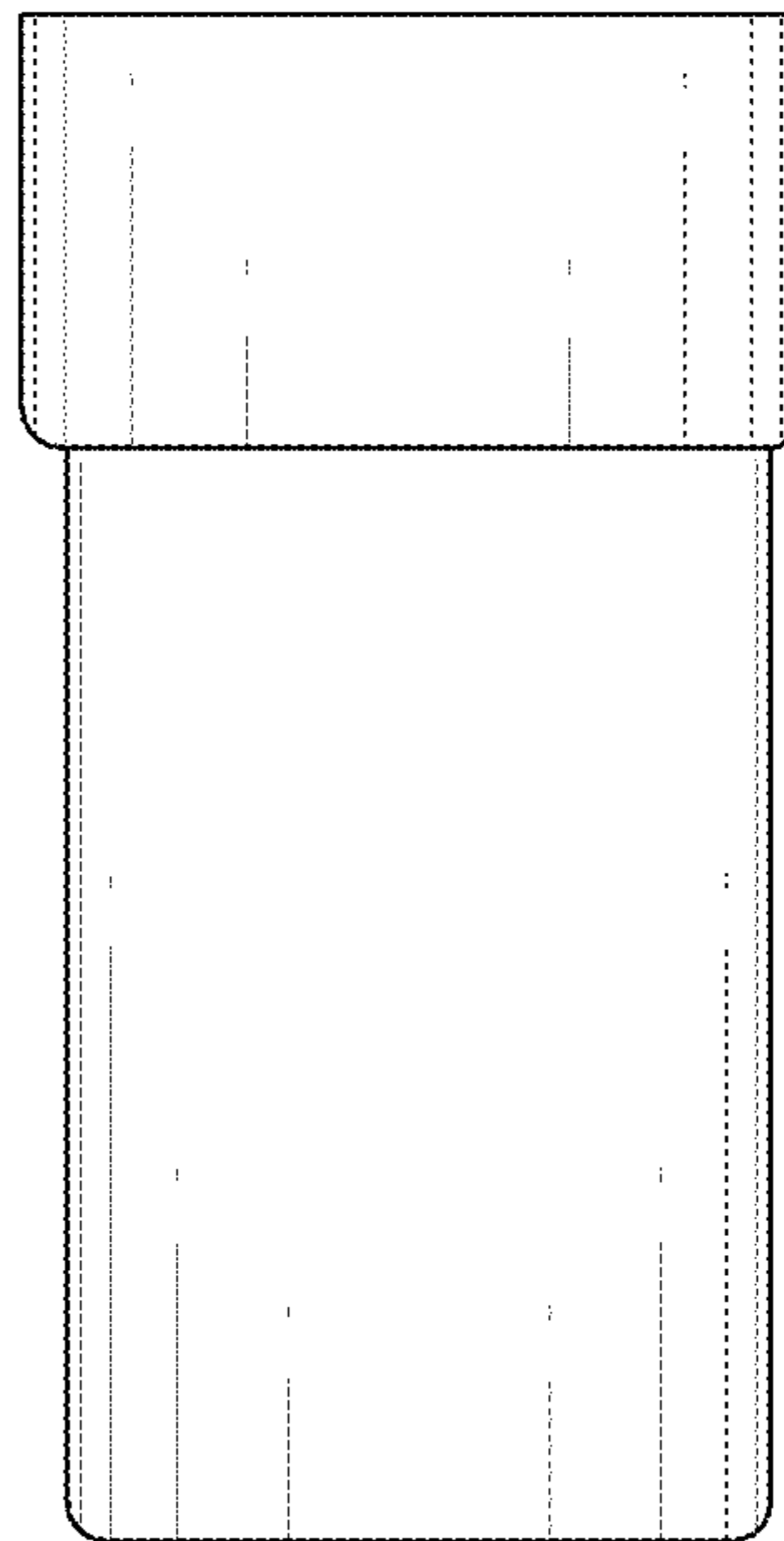


FIG. 5

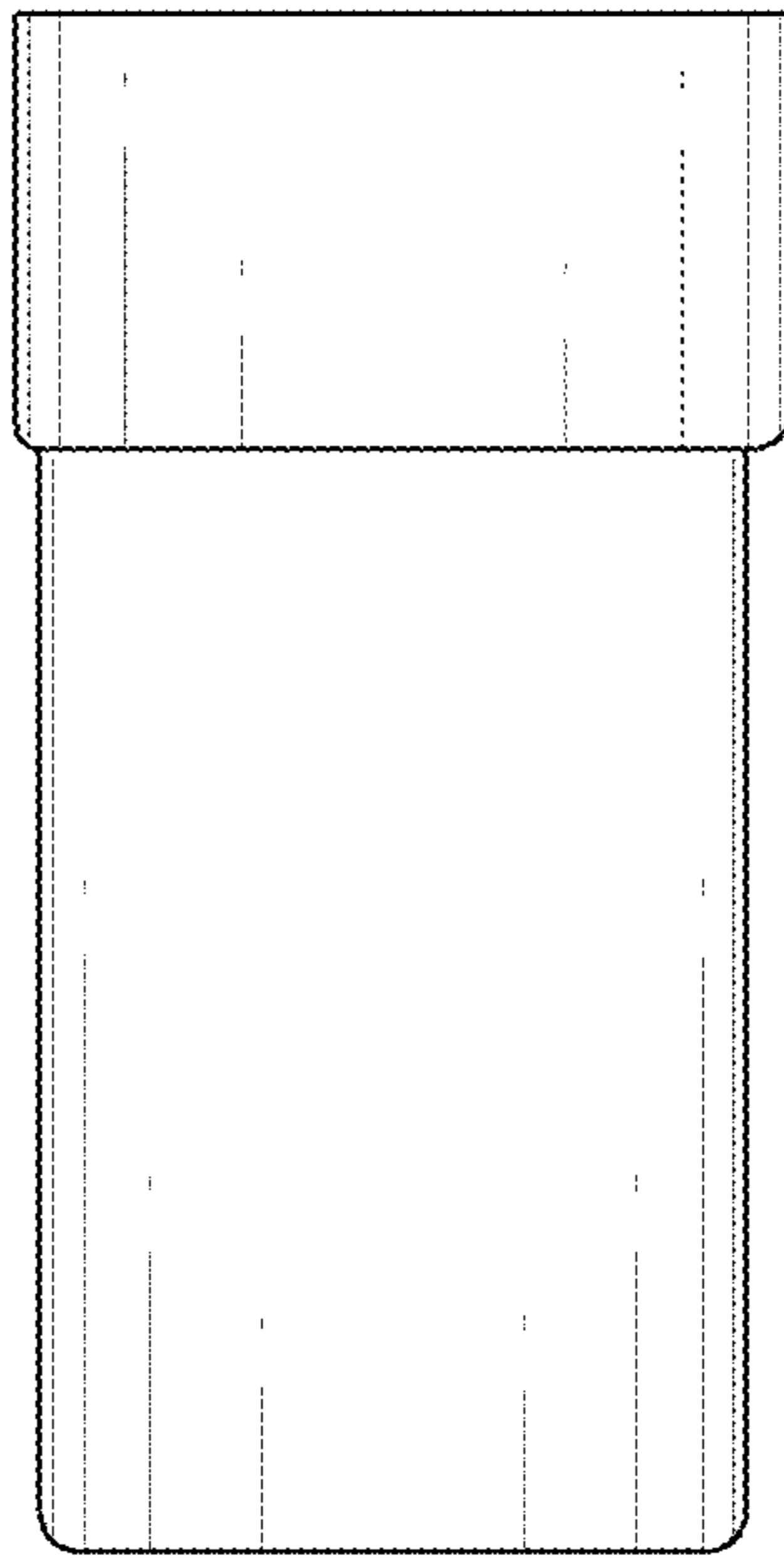


FIG. 6

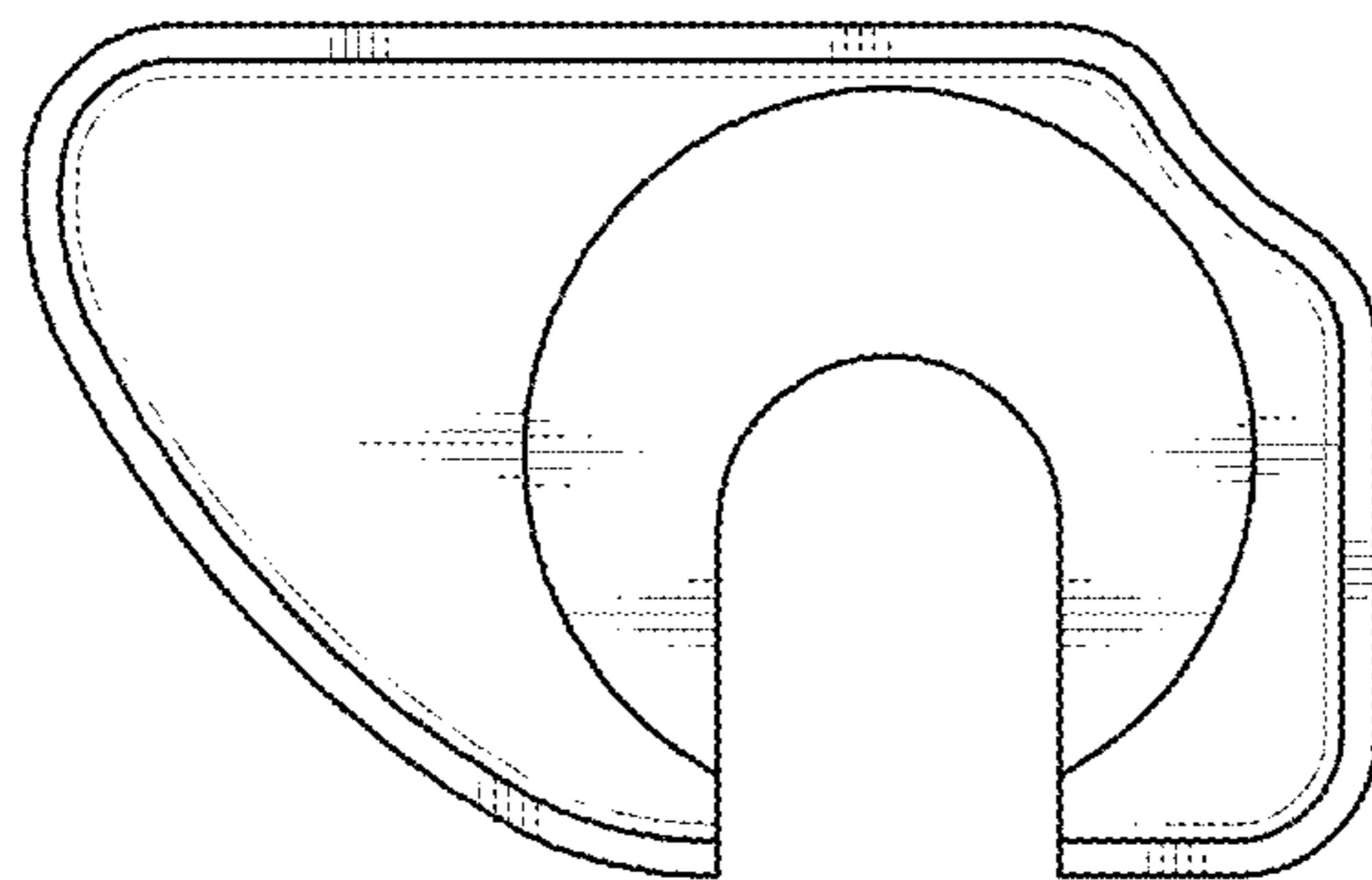


FIG. 7

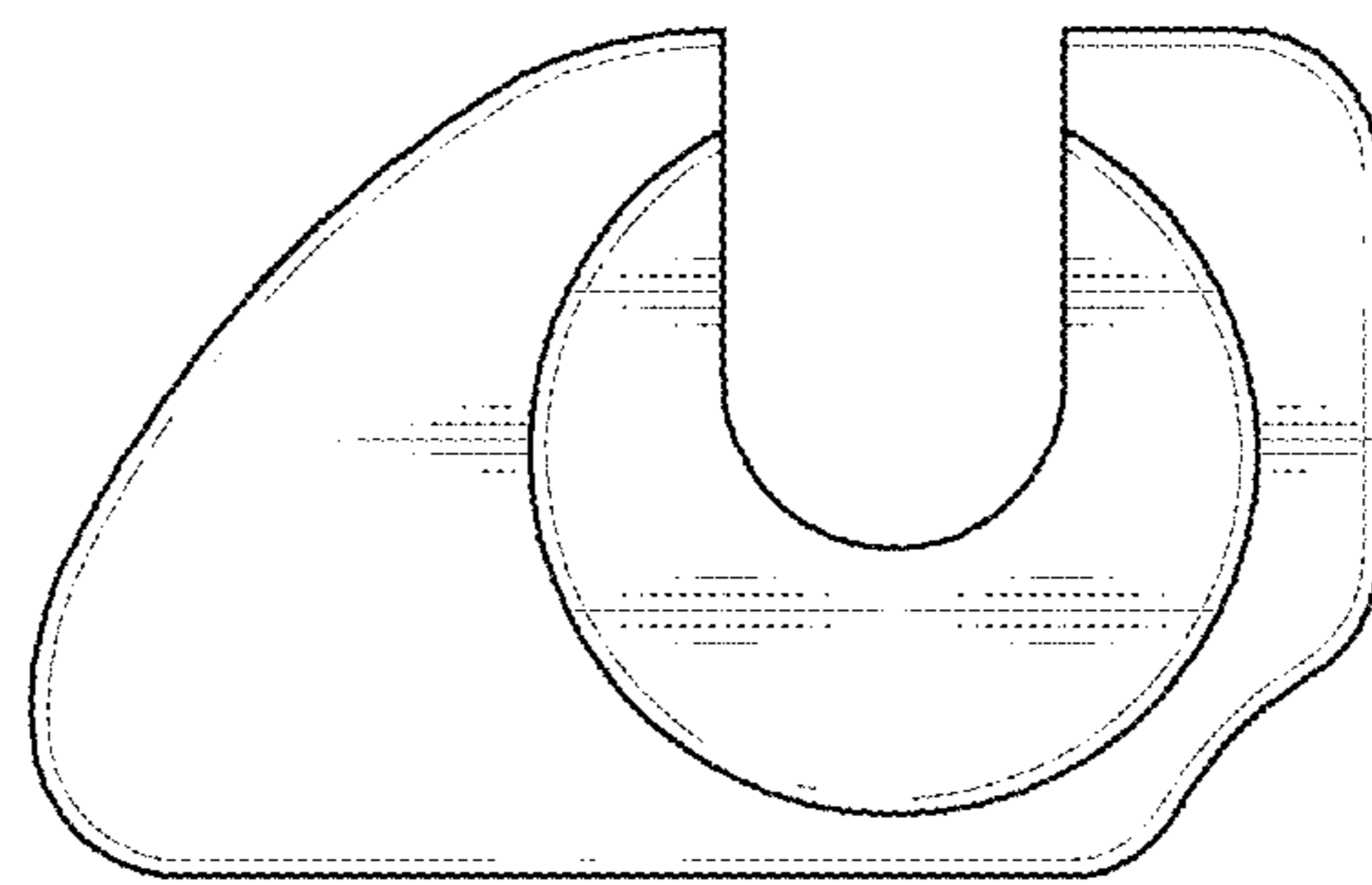


FIG. 8

