



US00D700969S

(12) **United States Design Patent**
Kim

(10) **Patent No.:** **US D700,969 S**
(45) **Date of Patent:** **** Mar. 11, 2014**

(54) **PROBE CONNECTOR FOR ULTRASONIC DIAGNOSTIC EQUIPMENT**

(71) Applicant: **Samsung Electronics Co., Ltd.**,
Suwon-si (KR)

(72) Inventor: **Yun-Su Kim**, Seoul (KR)

(73) Assignee: **Samsung Electronics Co., Ltd.** (KR)

(**) Term: **14 Years**

(21) Appl. No.: **29/437,937**

(22) Filed: **Nov. 21, 2012**

(51) **LOC (10) Cl.** **24-01**

(52) **U.S. Cl.**
USPC **D24/187**

(58) **Field of Classification Search**
USPC D24/107, 141, 158, 164, 165, 167, 170,
D24/186-187, 231, 138; D10/57, 60, 78,
D10/80; 600/407, 461, 459, 437; 378/98.7,
378/98.8, 189; 367/140

See application file for complete search history.

(56) **References Cited**

U.S. PATENT DOCUMENTS

4,603,701	A *	8/1986	Chen	73/644
4,688,578	A *	8/1987	Takano et al.	600/459
4,787,070	A *	11/1988	Suzuki et al.	367/140
4,796,632	A *	1/1989	Boyd et al.	600/459
4,867,169	A *	9/1989	Machida et al.	600/446
D327,740	S *	7/1992	Arioka et al.	D24/186
5,820,549	A *	10/1998	Marian, Jr.	600/437
D564,659	S *	3/2008	Hayashi	D24/138
D564,660	S *	3/2008	Hayashi	D24/129

D566,284	S *	4/2008	Kitayama et al.	D24/186
D585,556	S *	1/2009	Kosaku	D24/186
D603,050	S *	10/2009	Chen	D24/187
D603,520	S *	11/2009	Ninomiya et al.	D24/187
D609,814	S *	2/2010	Banryu	D24/187
D629,526	S *	12/2010	Ladwig et al.	D24/187
D629,527	S *	12/2010	Crunkilton	D24/187
D630,756	S *	1/2011	Kitayama	D24/187
D630,757	S *	1/2011	Kitayama	D24/187
D654,178	S *	2/2012	Antonio et al.	D24/187

* cited by examiner

Primary Examiner — T. Chase Nelson

Assistant Examiner — Mark Cavanna

(74) *Attorney, Agent, or Firm* — Cantor Colburn LLP

(57) **CLAIM**

The ornamental design for a probe connector for ultrasonic diagnostic equipment, as shown and described.

DESCRIPTION

FIG. 1 is a perspective view of a probe connector for a probe connector for ultrasonic diagnostic equipment showing my new design;

FIG. 2 is a front view thereof;

FIG. 3 is a rear view thereof;

FIG. 4 is a left side view thereof;

FIG. 5 is a right side view thereof;

FIG. 6 is a top plan view thereof;

FIG. 7 is a bottom plan view thereof; and,

FIG. 8 is a reference view thereof.

The broken lines are shown for illustrative purposes only and form no part of the claimed design.

1 Claim, 8 Drawing Sheets

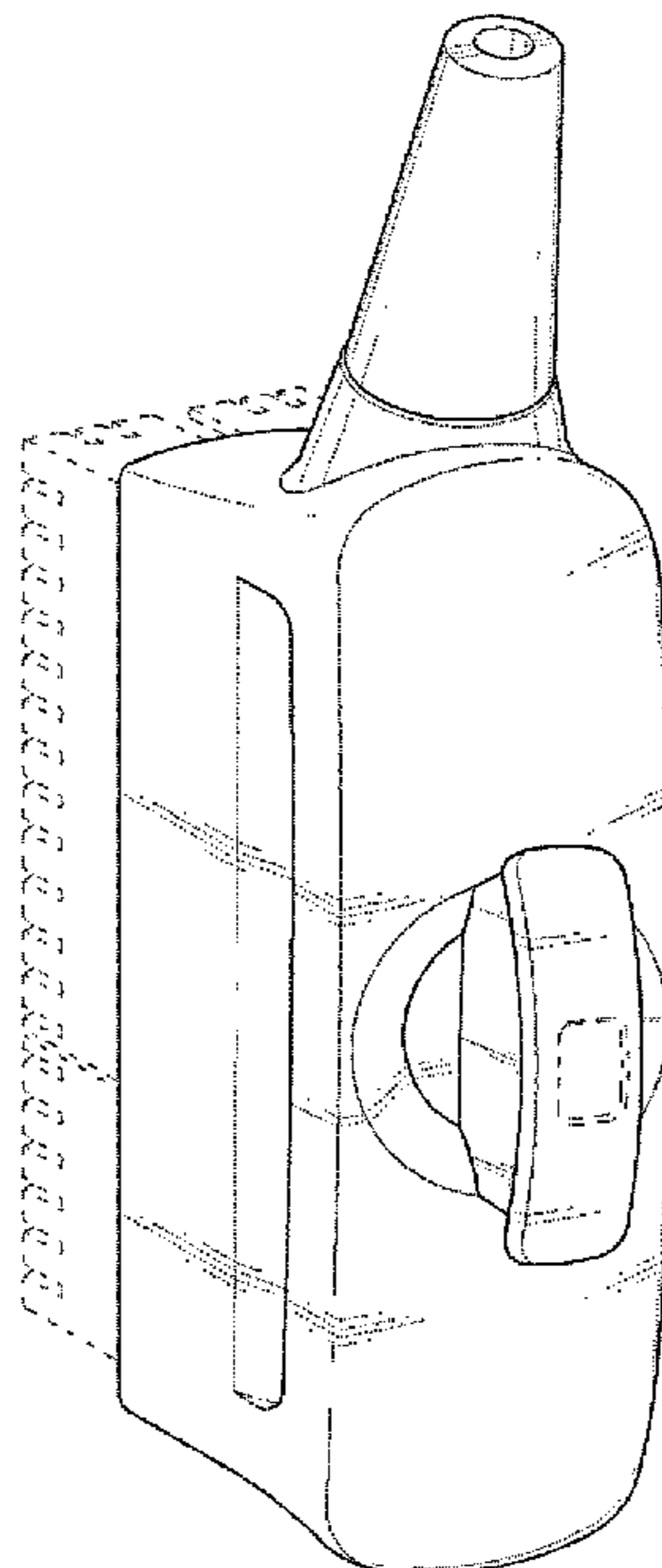


FIG. 1

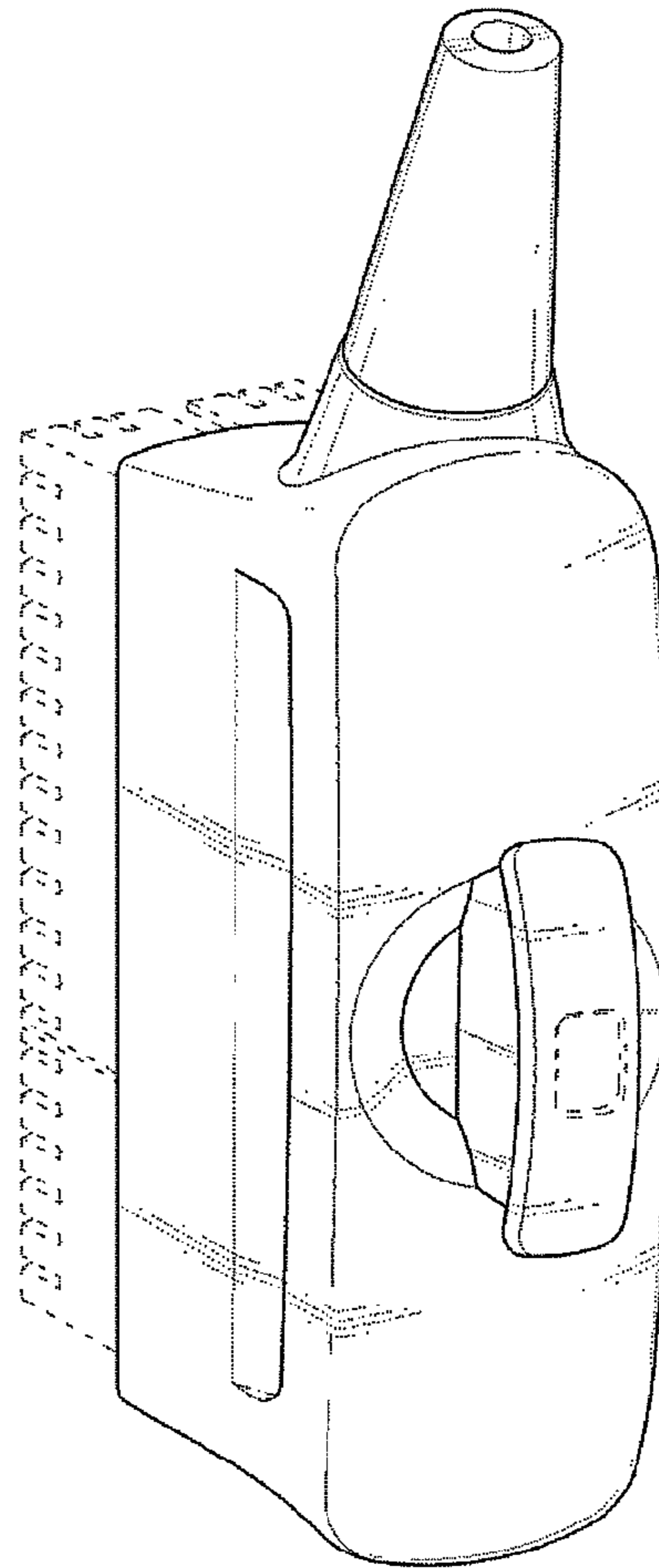


FIG. 2

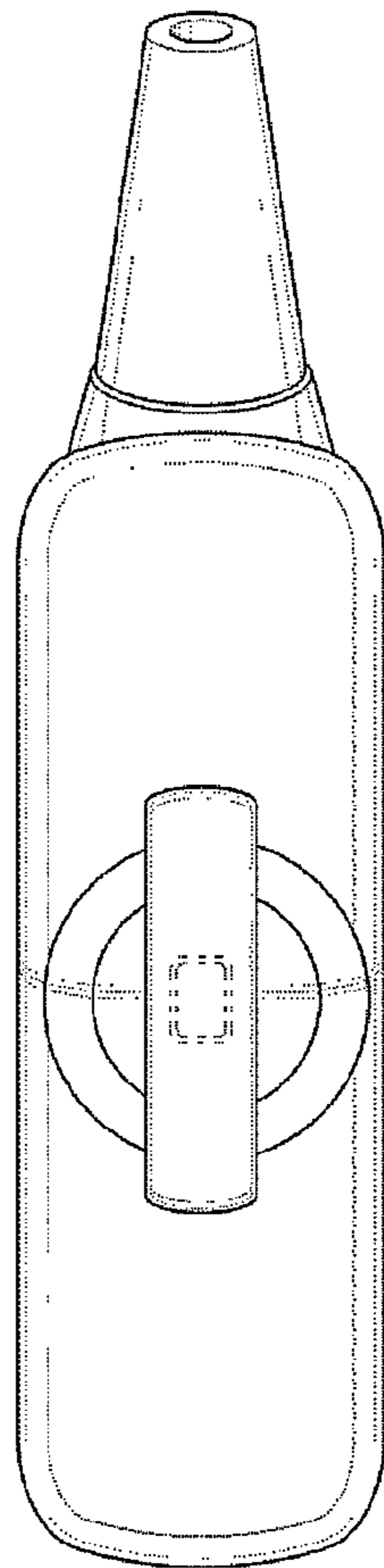


FIG. 3

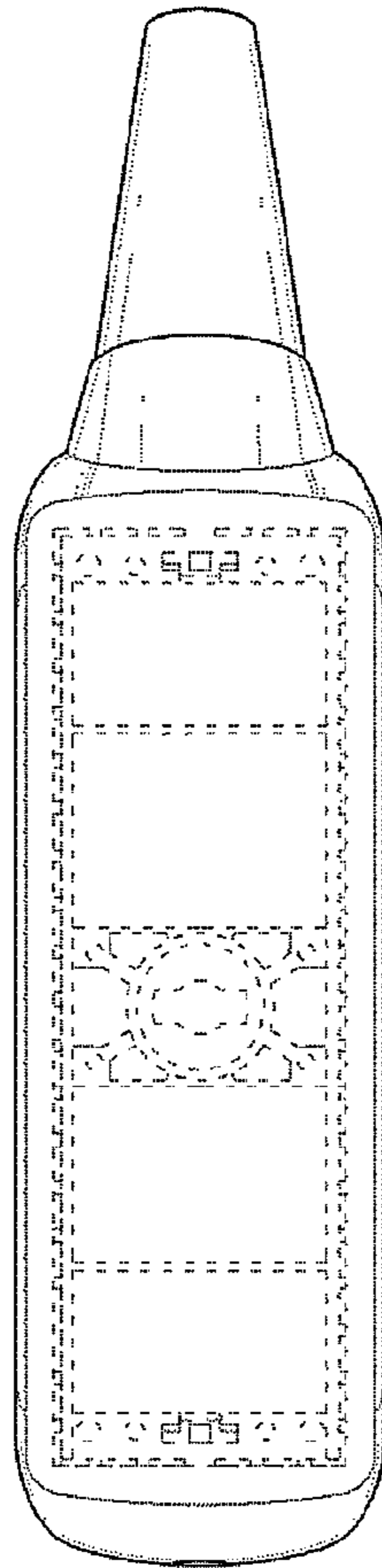


FIG. 4

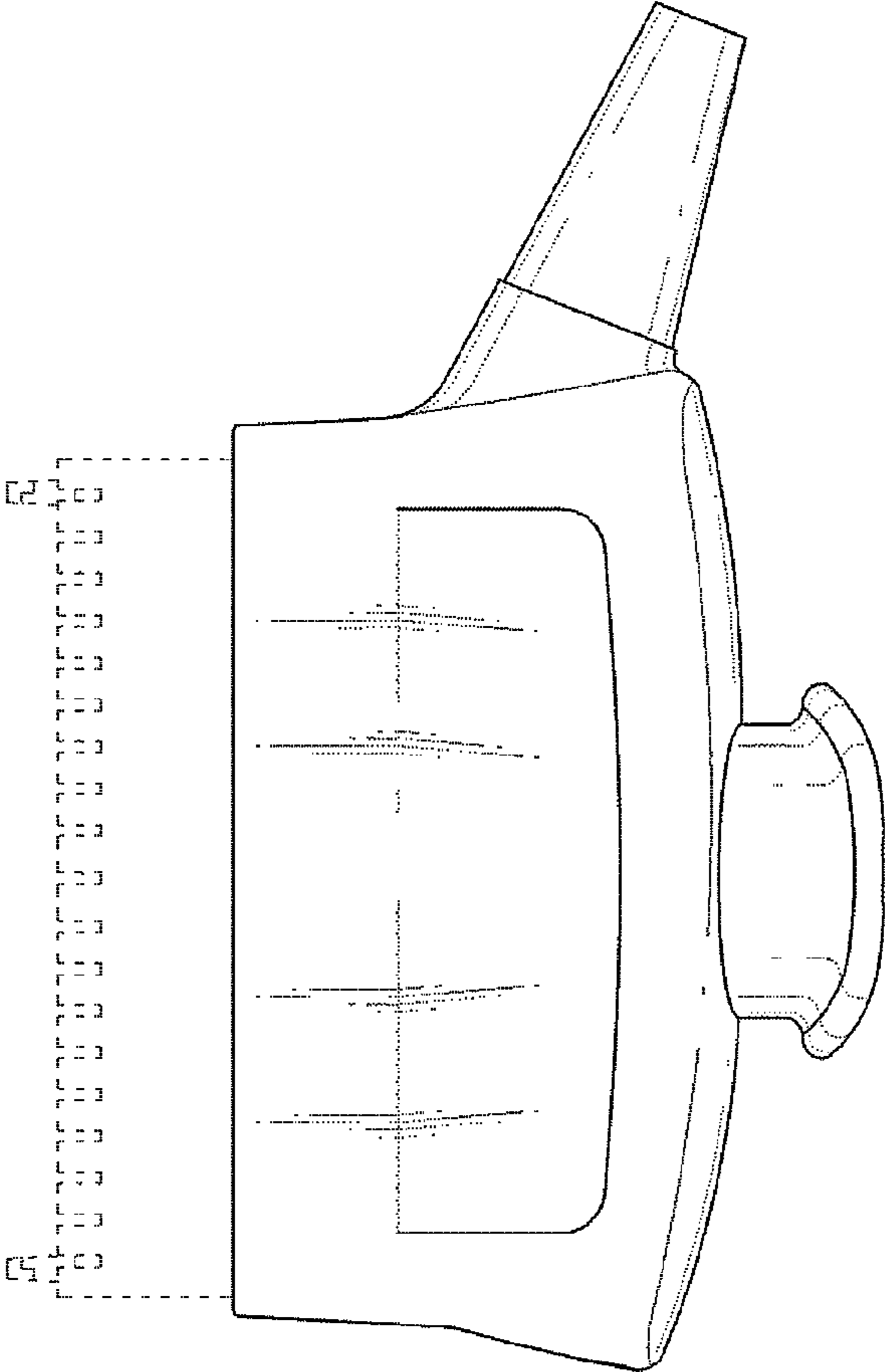


FIG. 5

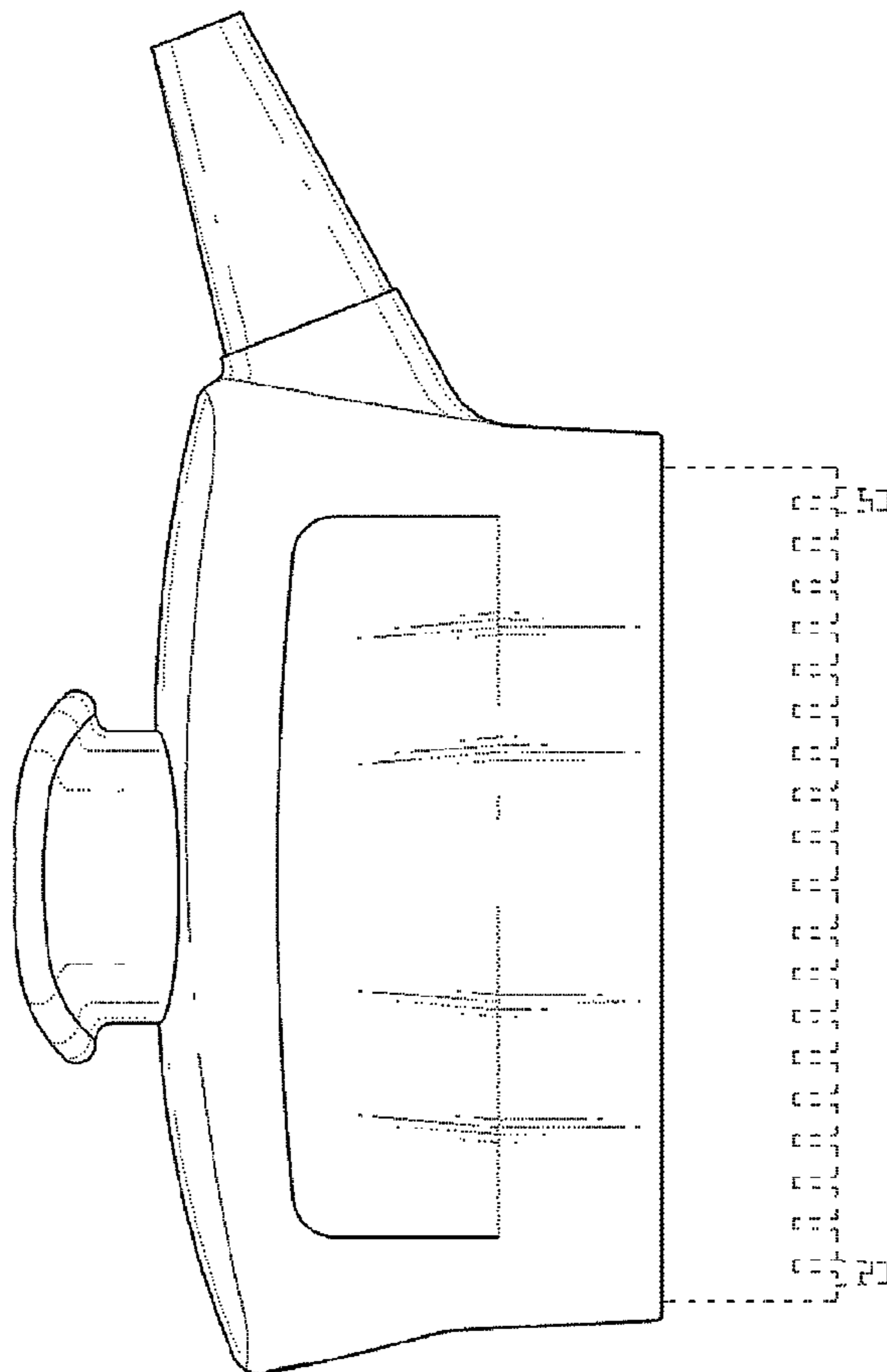


FIG. 6

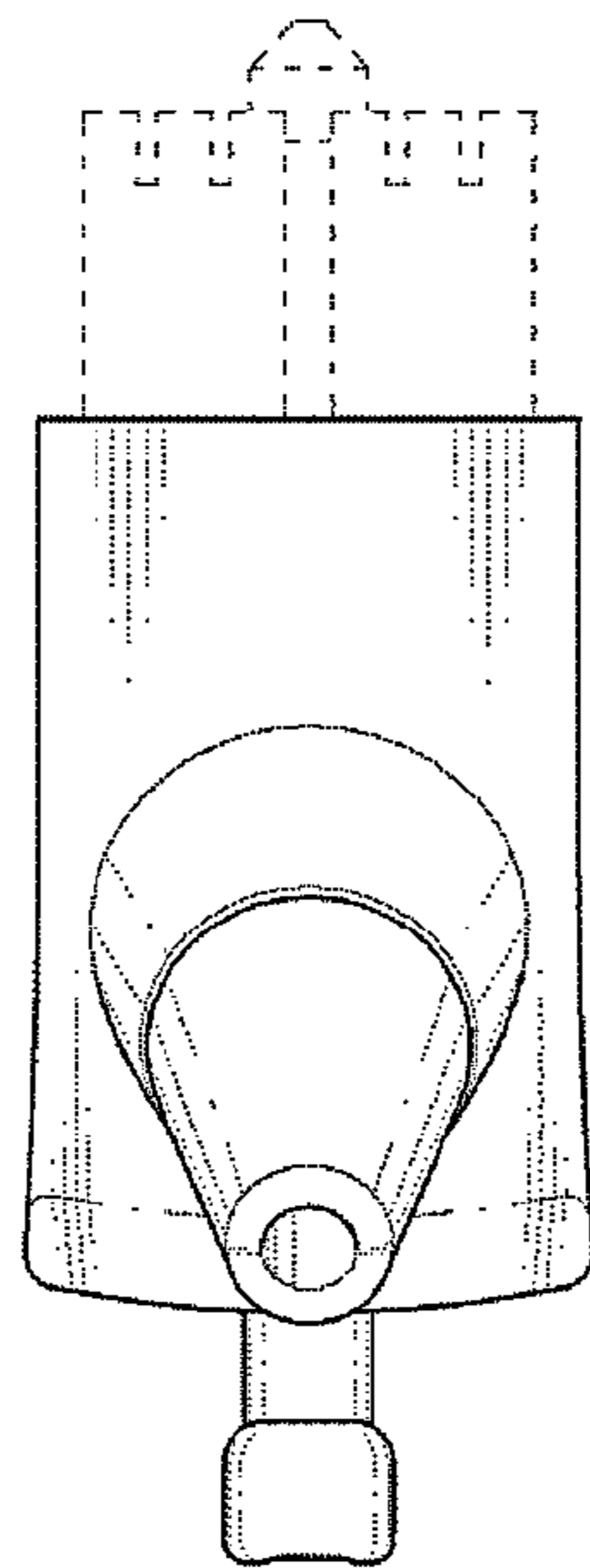


FIG. 7

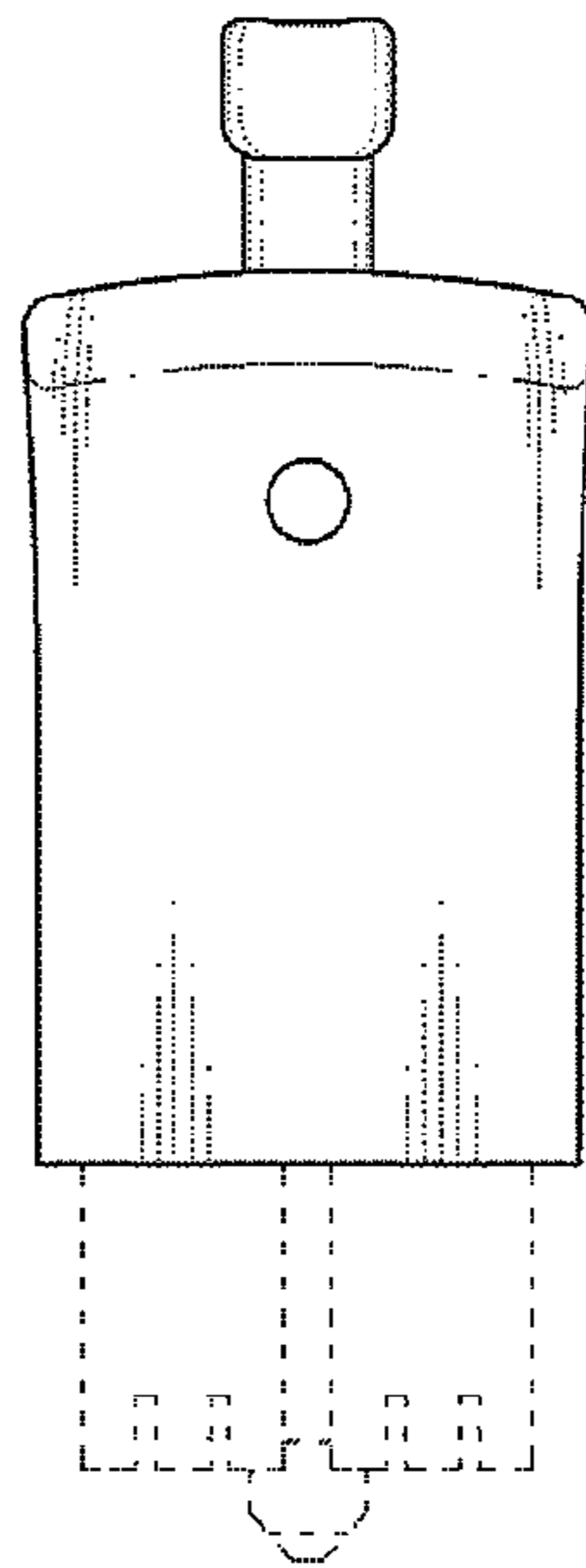


FIG. 8

