



US00D700968S

(12) **United States Design Patent**
Delaey et al.

(10) **Patent No.:** **US D700,968 S**
(45) **Date of Patent:** **** Mar. 11, 2014**

(54) **MEDICAL SCANNER**

378/20, 21, 23-27, 62, 68, 146, 195-198,
378/57; 600/410, 421, 422

(71) Applicant: **Koninklijke Philips N.V.**, Eindhoven
(NL)

See application file for complete search history.

(72) Inventors: **Tom Philippe Jean Jacques Delaey**,
Mol (BE); **Andrea Feuerabend**,
Eindhoven (NL); **Wei Lun Sun**,
Shanghai (CN); **Theodorus Martinus**
Maria van het Hof, Sint Oedenrode
(NL); **Michiel Adriaan Cornelissen**,
Utrecht (NL)

(56) **References Cited**

U.S. PATENT DOCUMENTS

D300,849	S	*	4/1989	Steinhilber et al.	D24/159
D347,063	S	*	5/1994	Ariyoshi et al.	D24/159
D527,105	S	*	8/2006	Kitayama et al.	D24/158
D623,299	S	*	9/2010	Dietz	D24/158
D639,953	S	*	6/2011	Wodecki	D24/159
D659,248	S	*	5/2012	Ramos	D24/159
D678,527	S	*	3/2013	Boninger	D24/158
D681,815	S	*	5/2013	Ninomiya et al.	D24/158

(73) Assignee: **Koninklijke Philips N.V.**, Eindhoven
(NL)

* cited by examiner

(**) Term: **14 Years**

Primary Examiner — Anhdao Doan

(21) Appl. No.: **29/458,100**

(57) **CLAIM**

The ornamental design for a medical scanner, as shown.

(22) Filed: **Jun. 17, 2013**

DESCRIPTION

(30) **Foreign Application Priority Data**

Dec. 18, 2012 (EM) 002155341-0001

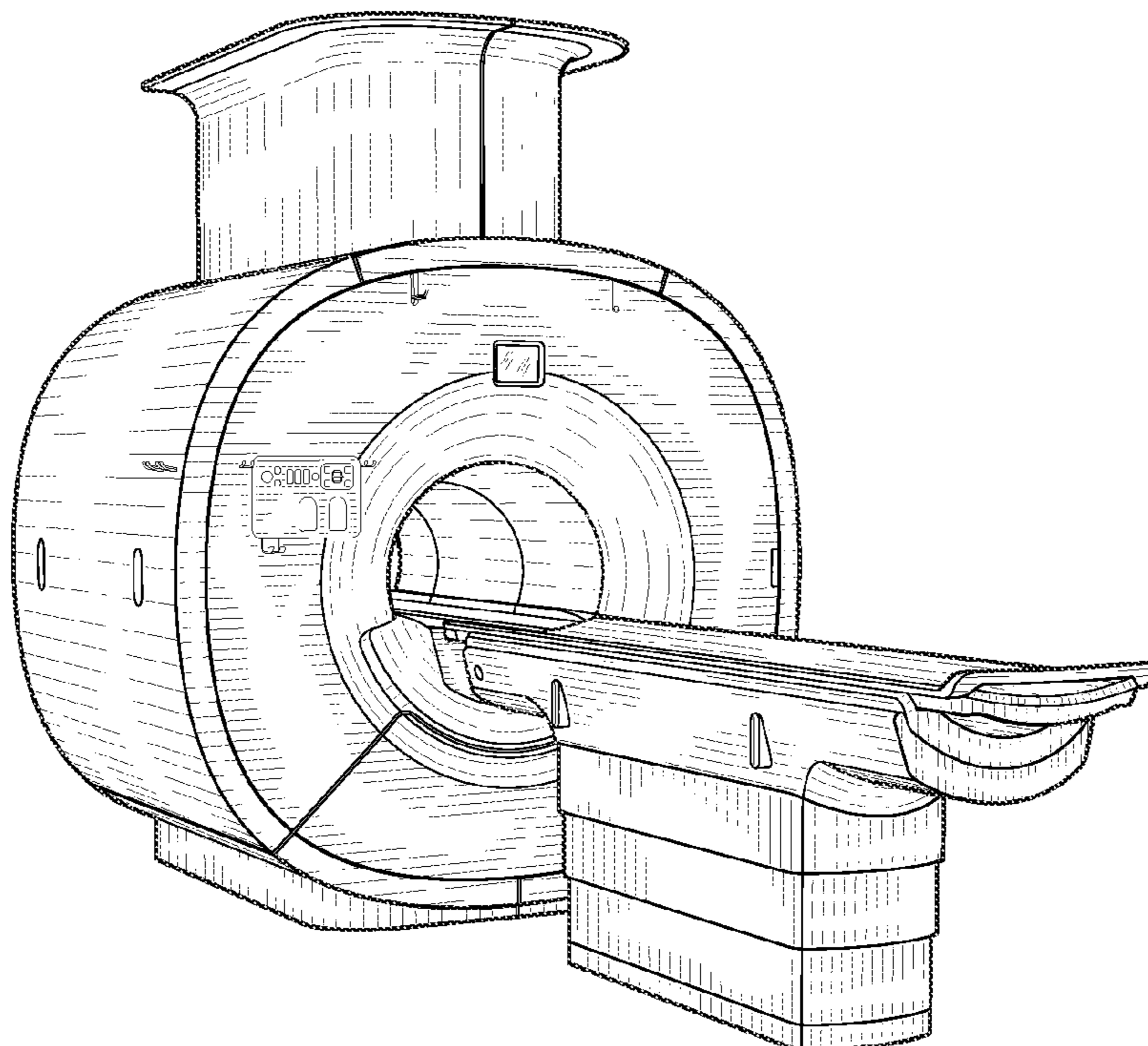
(51) **LOC (10) Cl.** **24-01**

(52) **U.S. Cl.**
USPC **D24/159**

(58) **Field of Classification Search**
USPC D24/158-161, 185, 186; 378/4, 15, 17,

FIG. 1 is a perspective view showing my design;
FIG. 2 is a front elevational view thereof;
FIG. 3 is a rear elevational view thereof;
FIG. 4 is a right side elevational view thereof;
FIG. 5 is a left side elevational view thereof;
FIG. 6 is a top plan view thereof; and,
FIG. 7 is a bottom plan view thereof.

1 Claim, 7 Drawing Sheets



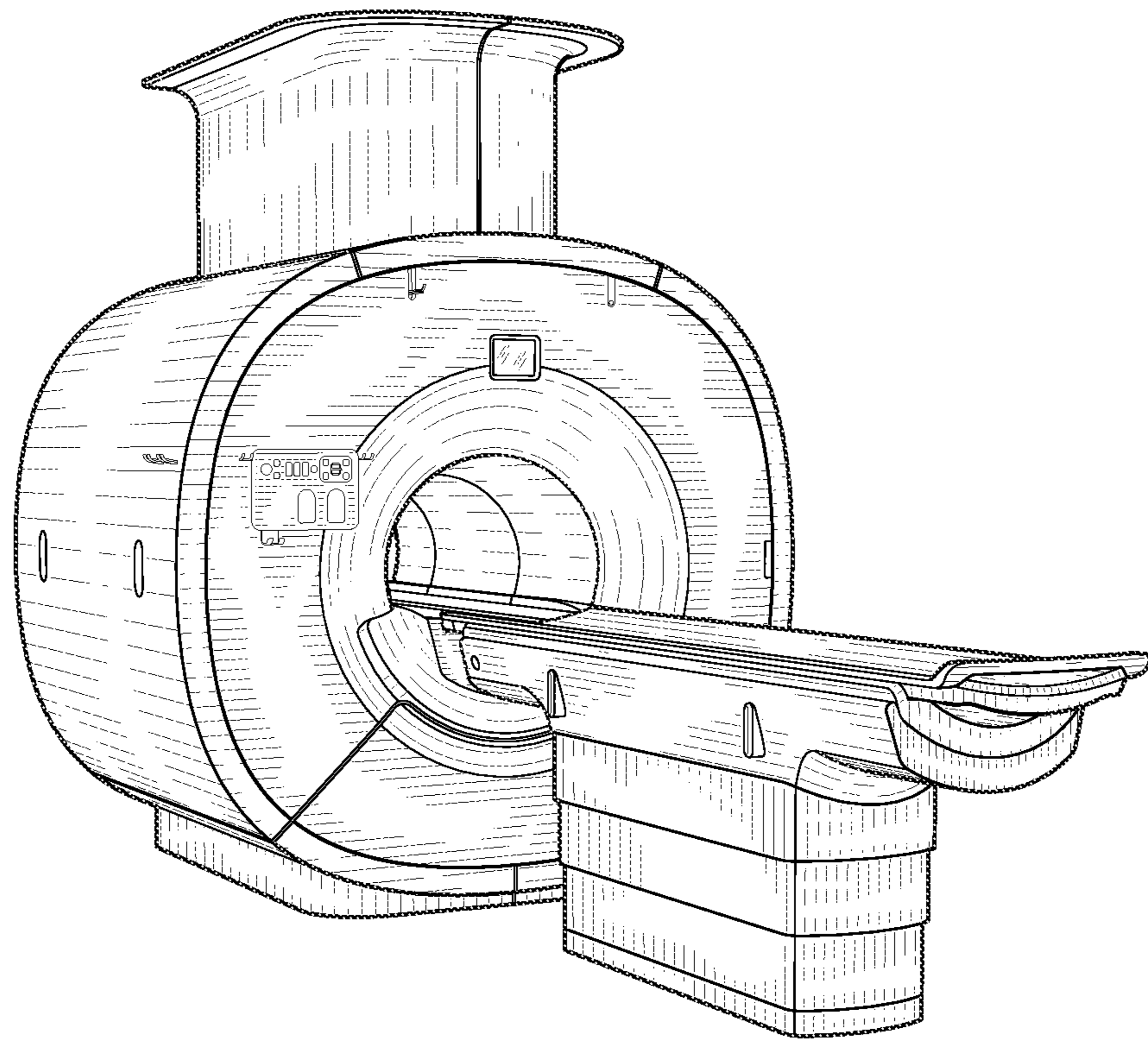


FIG. 1

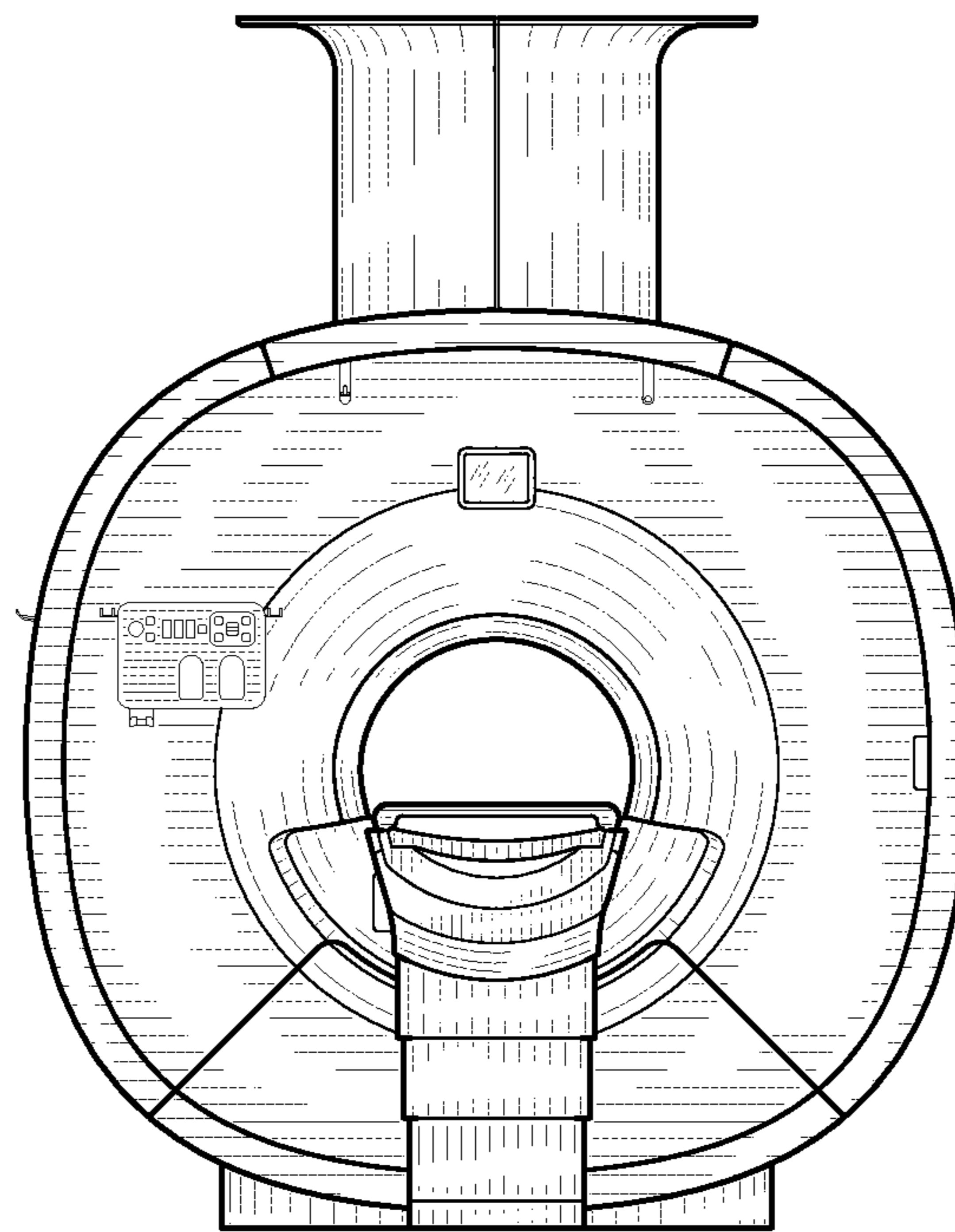


FIG. 2

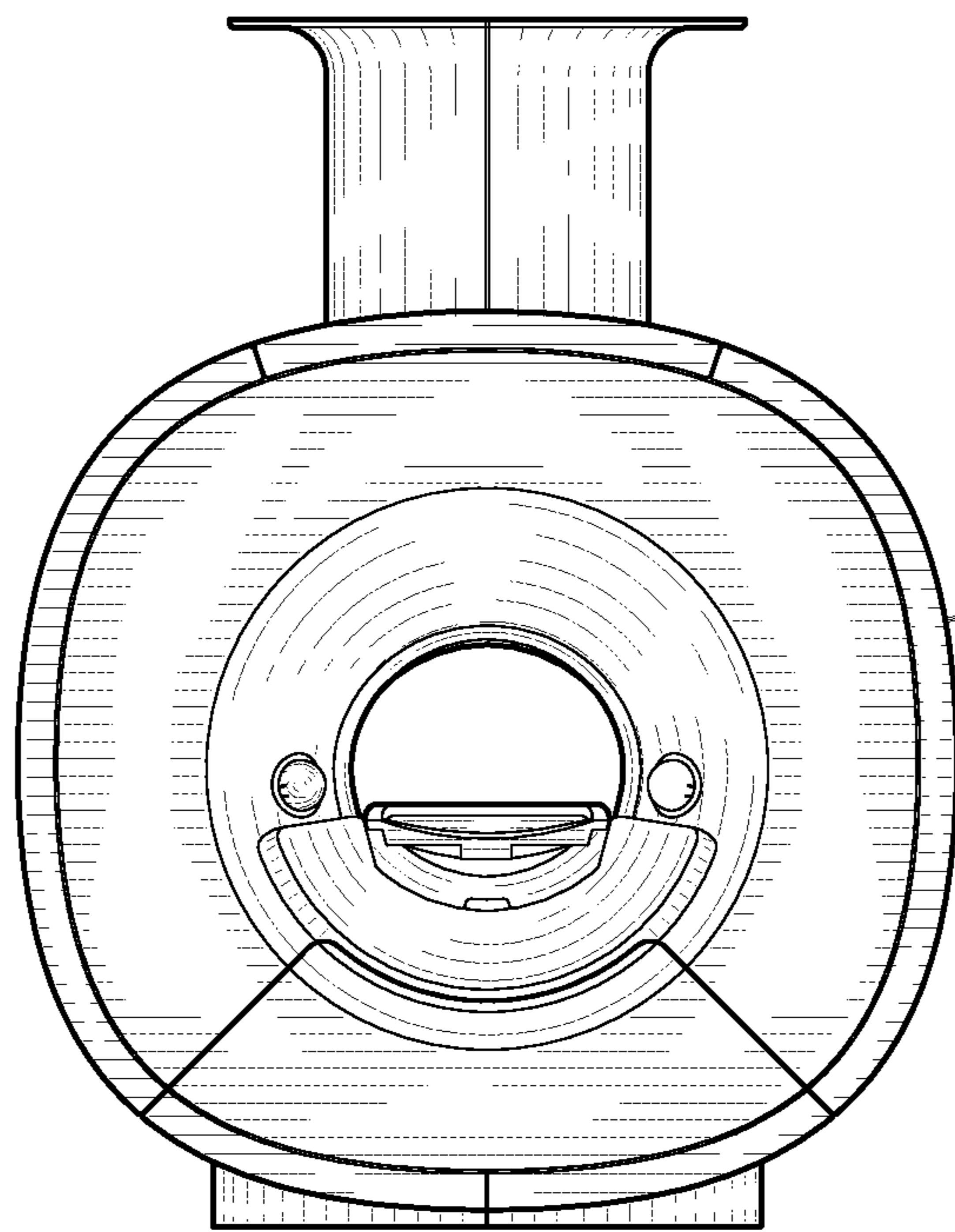


FIG. 3

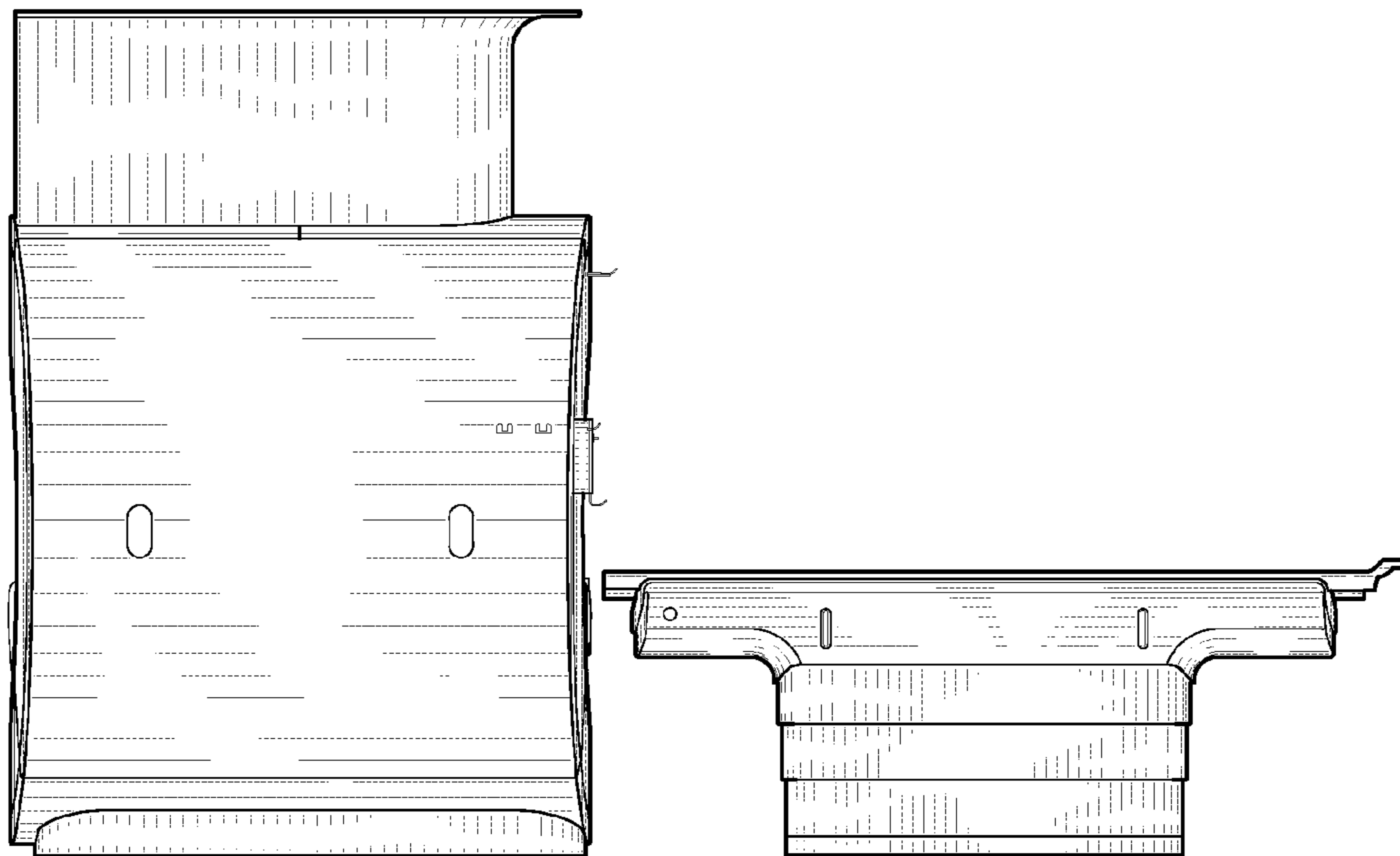


FIG. 4

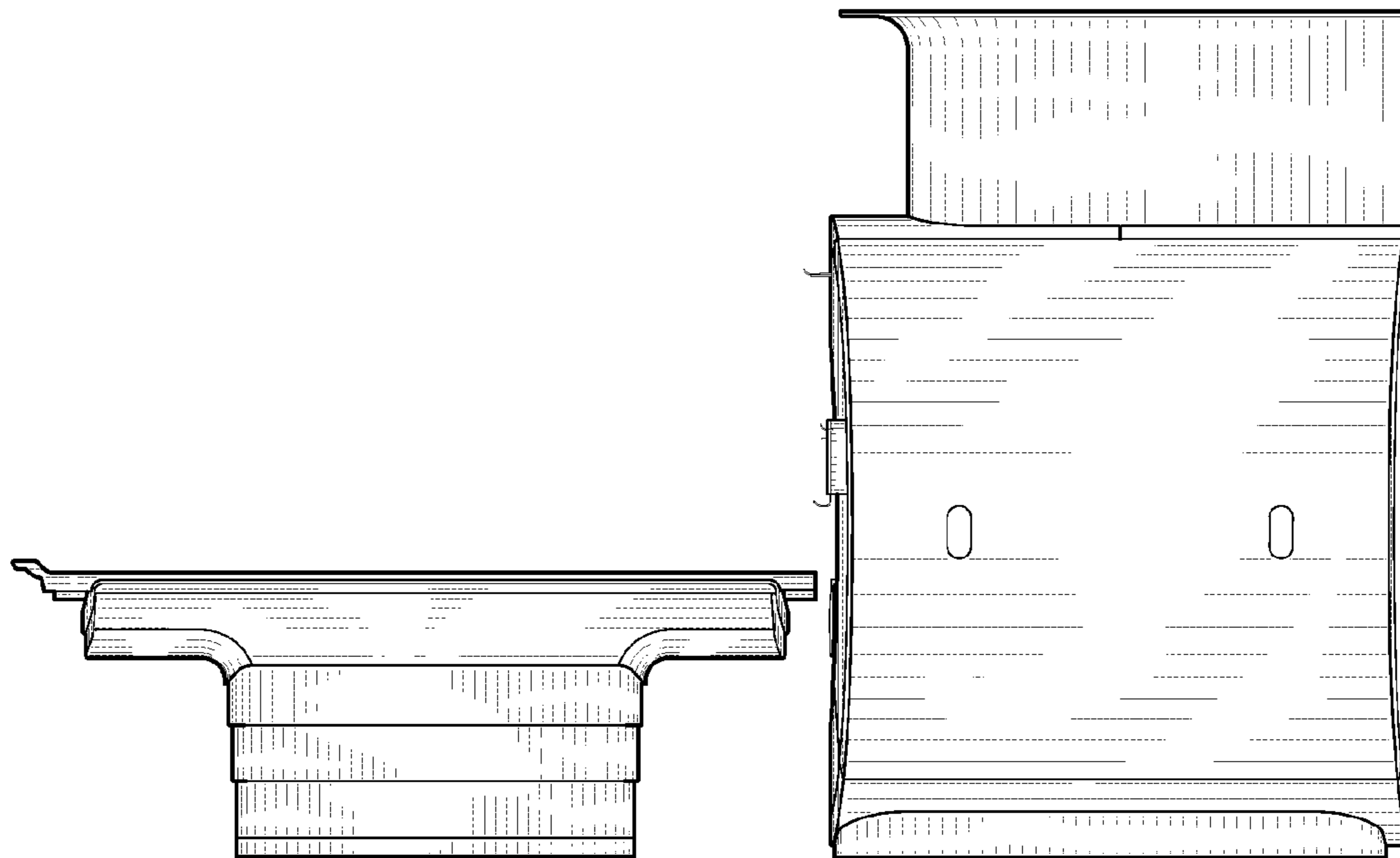


FIG. 5

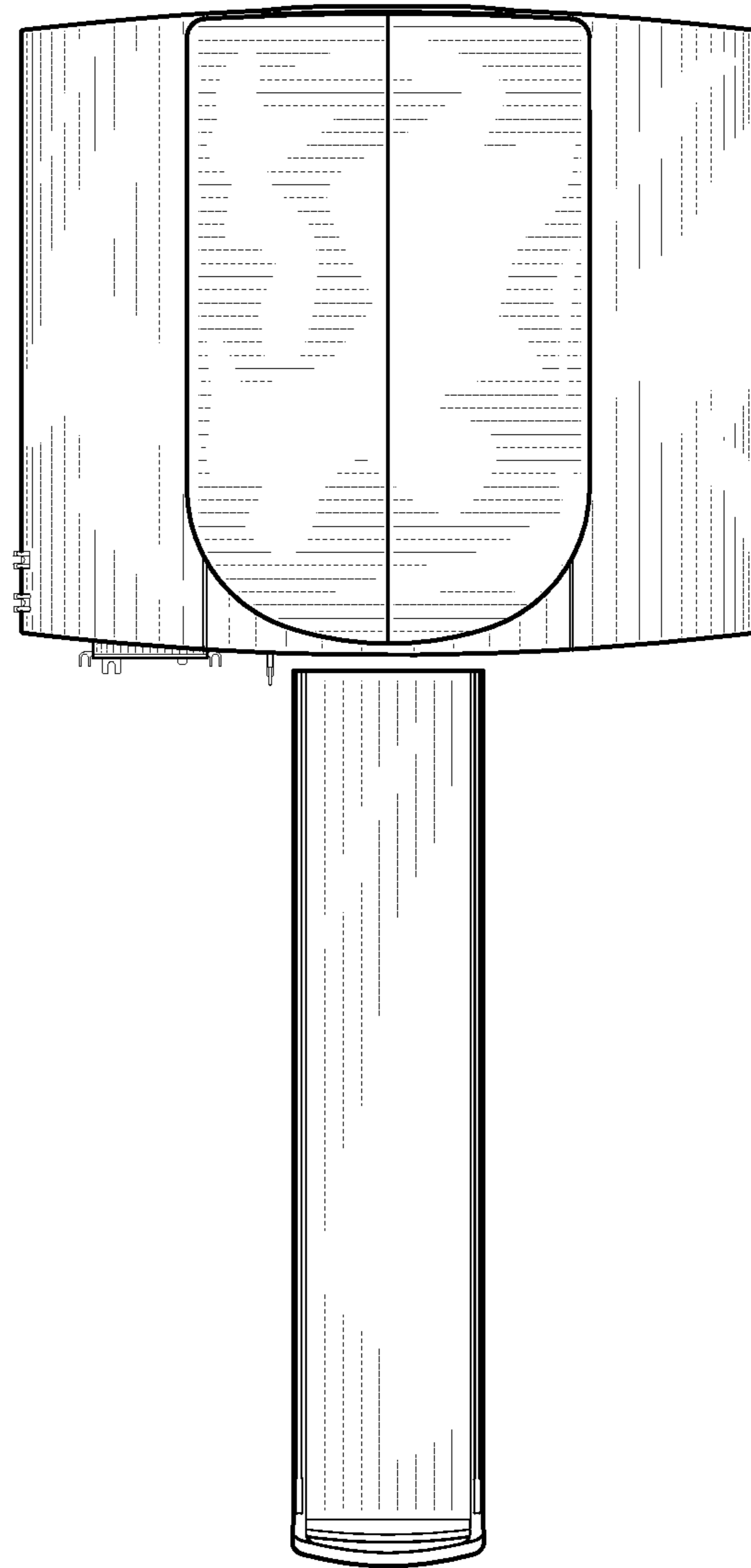


FIG. 6

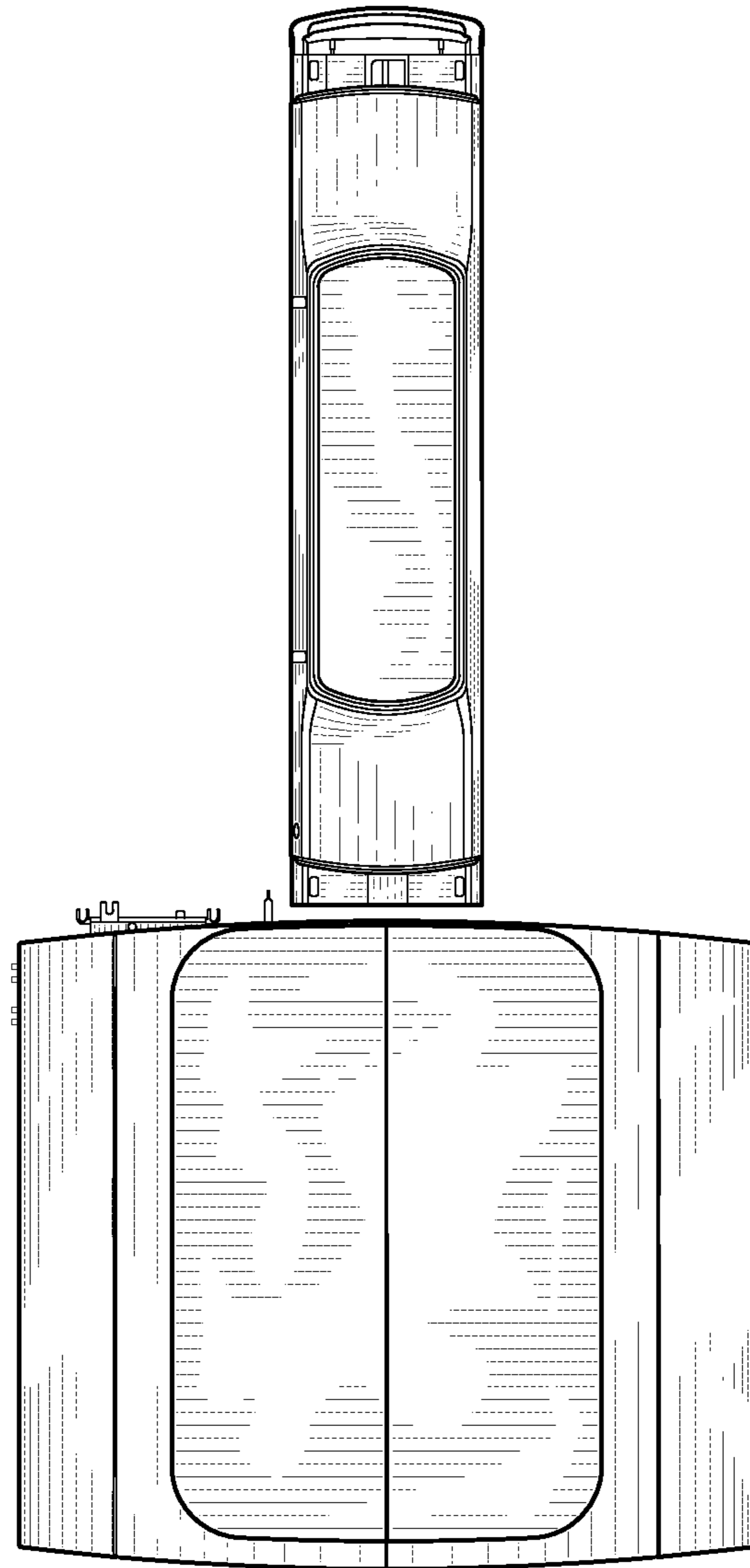


FIG. 7