



US00D700966S

(12) **United States Design Patent**
O’Leary et al.

(10) **Patent No.:** **US D700,966 S**
(45) **Date of Patent:** **** Mar. 11, 2014**

(54) **PORTABLE SURGICAL DEVICE**

3,900,823 A 8/1975 Sokal et al.
3,918,442 A 11/1975 Nikolaev-Pionersky et al.
3,946,738 A 3/1976 Newton et al.

(75) Inventors: **Jeremiah O’Leary**, Chicago, IL (US);
Derek Dee Deville, Miami, FL (US);
Kevin W. Smith, Coral Gables, FL (US);
Matthew A. Palmer, Miami, FL (US);
Luke Waaler, Longmont, CO (US)

(Continued)

FOREIGN PATENT DOCUMENTS

(73) Assignee: **Covidien AG** (CH)

CN 1634601 A 7/2005
CN 1640365 A 7/2005

(**) Term: **14 Years**

(Continued)

(21) Appl. No.: **29/404,129**

Primary Examiner — Ian Simmons
Assistant Examiner — Carissa C Fitts

(22) Filed: **Oct. 17, 2011**
(Under 37 CFR 1.47)

(57) **CLAIM**
The ornamental design for a portable surgical device, as shown and described.

Related U.S. Application Data

(62) Division of application No. 13/215,971, filed on Aug. 23, 2011.

DESCRIPTION

(51) **LOC (10) Cl.** **24-02**

(52) **U.S. Cl.**
USPC **D24/146**

(58) **Field of Classification Search**
USPC D24/146, 147, 133, 144, 145; 601/1, 2;
604/22; 606/167, 169, 170
See application file for complete search history.

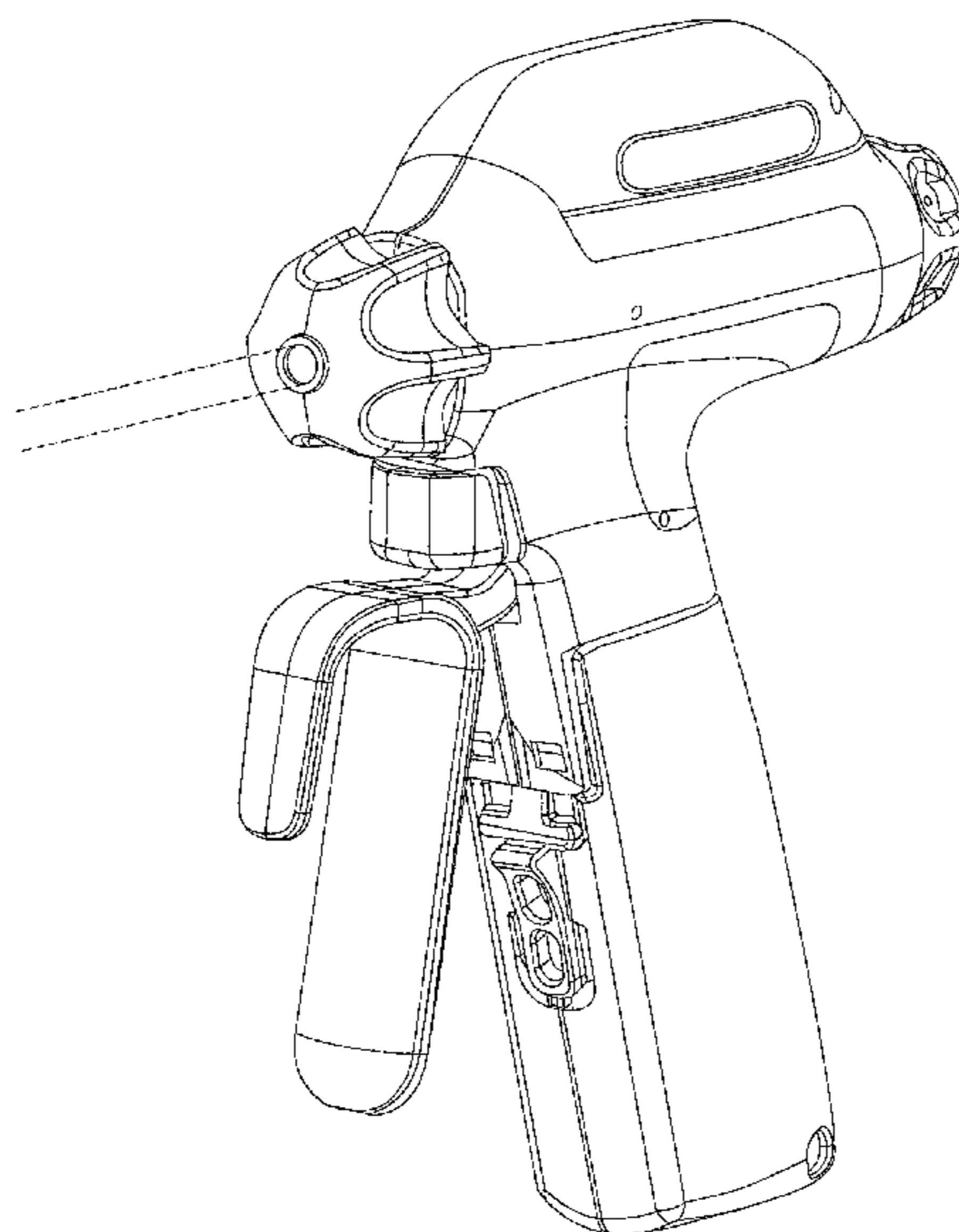
FIG. 1 is an elevational view of a right side of a portable surgical device in accordance with the present design;
FIG. 2 is an elevational view of a left side of the portable surgical device of FIG. 1;
FIG. 3 is an elevational view of a rear side of the portable surgical device of FIG. 1;
FIG. 4 is an elevational view of a front side of the portable surgical device of FIG. 1;
FIG. 5 is an elevational top plan view of the portable surgical device of FIG. 1;
FIG. 6 is an elevational bottom plan view of the portable surgical device of FIG. 1;
FIG. 7 is a perspective view of the left side of the portable surgical device of FIG. 1 from the front thereof; and,
FIG. 8 is a perspective view of the right side of the portable surgical device of FIG. 1 from below the rear thereof.
The broken line showing is for environmental purposes only and forms no part of the claimed design.

(56) **References Cited**

U.S. PATENT DOCUMENTS

2,736,960 A 3/1956 Armstrong
2,849,788 A 9/1958 Creek
3,015,961 A 1/1962 Roney
3,513,848 A 5/1970 Garvey et al.
3,526,219 A 9/1970 Balamuth
3,614,484 A 10/1971 Shoh
3,636,943 A 1/1972 Balamuth
3,776,238 A 12/1973 Peyman et al.
3,805,787 A 4/1974 Banko
3,862,630 A 1/1975 Balamuth et al.

1 Claim, 6 Drawing Sheets



(56)

References Cited

U.S. PATENT DOCUMENTS

8,298,232 B2 * 10/2012 Unger 606/51
 8,328,822 B2 * 12/2012 Huitema et al. 606/142
 8,338,726 B2 * 12/2012 Palmer et al. 200/1 B
 8,342,377 B2 * 1/2013 Milliman et al. 227/175.2
 8,361,072 B2 * 1/2013 Dumbauld et al. 606/51
 8,372,099 B2 * 2/2013 Deville et al. 606/169
 8,377,085 B2 * 2/2013 Smith et al. 606/169
 2001/0025184 A1 9/2001 Messerly
 2001/0031950 A1 10/2001 Ryan
 2001/0039419 A1 11/2001 Francischelli et al.
 2002/0002377 A1 1/2002 Cimino
 2002/0019649 A1 2/2002 Sikora et al.
 2002/0022836 A1 2/2002 Goble et al.
 2002/0077550 A1 6/2002 Rabiner et al.
 2002/0156493 A1 10/2002 Houser et al.
 2003/0055443 A1 3/2003 Spotnitz
 2003/0212332 A1 11/2003 Fenton et al.
 2004/0030254 A1 2/2004 Babaev
 2004/0047485 A1 3/2004 Sherrit et al.
 2004/0092921 A1 5/2004 Kadziauskas et al.
 2004/0097919 A1 5/2004 Wellman et al.
 2004/0097996 A1 5/2004 Rabiner et al.
 2004/0199193 A1 10/2004 Hayashi
 2004/0204728 A1 10/2004 Haefner
 2004/0243157 A1 12/2004 Connor et al.
 2004/0260300 A1 12/2004 Gorenssek et al.
 2005/0033337 A1 2/2005 Muir et al.
 2005/0049546 A1 3/2005 Messerly et al.
 2005/0143769 A1 6/2005 White et al.
 2005/0149108 A1 7/2005 Cox
 2005/0165345 A1 7/2005 Laufer et al.
 2005/0177184 A1 8/2005 Easley
 2005/0192610 A1 9/2005 Houser et al.
 2005/0209620 A1 9/2005 Du et al.
 2005/0261581 A1 11/2005 Hughes et al.
 2005/0261588 A1 11/2005 Makin et al.
 2005/0288659 A1 12/2005 Kimura et al.
 2006/0030797 A1 2/2006 Zhou et al.
 2006/0063130 A1 3/2006 Hayman et al.
 2006/0079878 A1 4/2006 Houser
 2006/0084963 A1 4/2006 Messerly
 2006/0190034 A1 8/2006 Nishizawa et al.
 2006/0211943 A1 9/2006 Beaupre
 2006/0235306 A1 10/2006 Cotter et al.
 2006/0253050 A1 11/2006 Yoshimine et al.
 2007/0016235 A1 1/2007 Tanaka et al.
 2007/0016236 A1 1/2007 Beaupre
 2007/0055228 A1 3/2007 Berg
 2007/0060915 A1 3/2007 Kucklick
 2007/0063618 A1 3/2007 Bromfield
 2007/0129716 A1 6/2007 Daw et al.
 2007/0130771 A1 6/2007 Ehlert et al.
 2007/0131034 A1 6/2007 Ehlert et al.
 2007/0149881 A1 6/2007 Rabin
 2007/0162050 A1 7/2007 Sartor
 2007/0173872 A1 7/2007 Neuenfeldt
 2007/0185380 A1 8/2007 Kucklick
 2007/0219481 A1 9/2007 Babaev
 2007/0249941 A1 10/2007 Salehi et al.
 2007/0260234 A1 11/2007 McCullagh et al.
 2007/0265560 A1 11/2007 Soltani et al.
 2007/0275348 A1 11/2007 Lemon
 2007/0282335 A1 12/2007 Young et al.
 2007/0287933 A1 12/2007 Phan et al.
 2008/0009848 A1 1/2008 Paraschiv et al.
 2008/0058585 A1 3/2008 Novak et al.
 2008/0058775 A1 3/2008 Darian et al.
 2008/0058845 A1 3/2008 Shimizu et al.
 2008/0082039 A1 4/2008 Babaev
 2008/0082098 A1 4/2008 Tanaka et al.
 2008/0172051 A1 7/2008 Masuda et al.
 2008/0177268 A1 7/2008 Daum et al.
 2008/0188878 A1 8/2008 Young
 2008/0200940 A1 8/2008 Eichmann et al.
 2008/0208231 A1 8/2008 Ota et al.

2008/0234708 A1 9/2008 Houser et al.
 2008/0234709 A1 9/2008 Houser
 2008/0234710 A1 9/2008 Neurohr et al.
 2008/0234711 A1 9/2008 Houser et al.
 2008/0262490 A1 10/2008 Williams
 2008/0281200 A1 11/2008 Voic et al.
 2008/0287948 A1 11/2008 Newton et al.
 2009/0030311 A1 1/2009 Stulen et al.
 2009/0030351 A1 1/2009 Wiener et al.
 2009/0030437 A1 1/2009 Houser et al.
 2009/0030438 A1 1/2009 Stulen
 2009/0030439 A1 1/2009 Stulen
 2009/0036911 A1 2/2009 Stulen
 2009/0036912 A1 2/2009 Wiener et al.
 2009/0036913 A1 2/2009 Wiener et al.
 2009/0036914 A1 2/2009 Houser
 2009/0076506 A1 3/2009 Baker
 2009/0082716 A1 3/2009 Akahoshi
 2009/0105750 A1 4/2009 Price et al.
 2009/0118802 A1 5/2009 Mioduski et al.
 2009/0143806 A1 6/2009 Witt et al.
 2009/0270853 A1 10/2009 Yachi et al.
 2010/0036370 A1 2/2010 Mirel et al.
 2010/0036405 A1 2/2010 Giordano et al.
 2010/0158307 A1 6/2010 Kubota et al.
 2010/0179577 A1 7/2010 Houser
 2010/0187283 A1 7/2010 Crainich et al.
 2010/0298743 A1 11/2010 Nield et al.
 2010/0298851 A1 11/2010 Nield
 2010/0331869 A1 12/2010 Voegele et al.
 2010/0331870 A1 12/2010 Wan et al.
 2010/0331871 A1 12/2010 Nield et al.
 2010/0331872 A1 12/2010 Houser et al.
 2011/0009850 A1 1/2011 Main et al.
 2011/0015627 A1 1/2011 DiNardo et al.
 2011/0015631 A1 1/2011 Wiener et al.
 2011/0015660 A1 1/2011 Wiener et al.
 2011/0082486 A1 4/2011 Messerly et al.
 2011/0087212 A1 4/2011 Aldridge et al.
 2011/0087213 A1 4/2011 Messerly et al.
 2011/0087214 A1 4/2011 Giordano et al.
 2011/0087215 A1 4/2011 Aldridge et al.
 2011/0087216 A1 4/2011 Aldridge et al.
 2011/0087217 A1 4/2011 Yates et al.
 2011/0087218 A1 4/2011 Boudreaux et al.
 2011/0087256 A1 4/2011 Wiener et al.
 2011/0092972 A1 4/2011 Allen
 2011/0125175 A1 5/2011 Stulen et al.
 2011/0196286 A1 8/2011 Robertson et al.
 2011/0196287 A1 8/2011 Robertson et al.
 2011/0196398 A1 8/2011 Robertson et al.
 2011/0196399 A1 8/2011 Robertson et al.
 2011/0196400 A1 8/2011 Robertson et al.
 2011/0196401 A1 8/2011 Robertson et al.
 2011/0196402 A1 8/2011 Robertson et al.
 2011/0196403 A1 8/2011 Robertson et al.
 2011/0196404 A1 8/2011 Dietz et al.
 2011/0196405 A1 8/2011 Dietz
 2011/0288452 A1 11/2011 Houser et al.
 2012/0029546 A1 2/2012 Robertson

FOREIGN PATENT DOCUMENTS

CN 1694649 A 11/2005
 CN 1922563 A 2/2007
 CN 101040799 A 9/2007
 EP 171967 A3 11/1987
 EP 443256 A1 8/1991
 EP 456470 B1 1/1996
 EP 482195 A1 1/1996
 EP 612570 A2 6/1997
 EP 908148 A1 1/2002
 EP 908155 A1 6/2003
 EP 1199044 A1 12/2005
 EP 1832259 A1 9/2007
 EP 1844720 A1 10/2007
 EP 1862133 A1 12/2007
 EP 1974771 A1 10/2008
 EP 2074959 B1 12/2012

(56)

References Cited

FOREIGN PATENT DOCUMENTS

GB	2032221 A	4/1980
GB	2447767 A	9/2008
WO	92/22259	12/1992
WO	93/14708	8/1993
WO	98/37815	9/1998
WO	01/54590 B1	8/2001
WO	2005122917 A1	12/2005

WO	2006129465 A1	12/2006
WO	2006042210 A3	1/2007
WO	2007143665 A3	4/2008
WO	2008130793 A1	10/2008
WO	2008016886 A3	12/2008
WO	2009027065 A1	3/2009
WO	2007047531 A3	4/2009
WO	2006058223 A3	5/2009
WO	2009018406 A3	7/2009

* cited by examiner

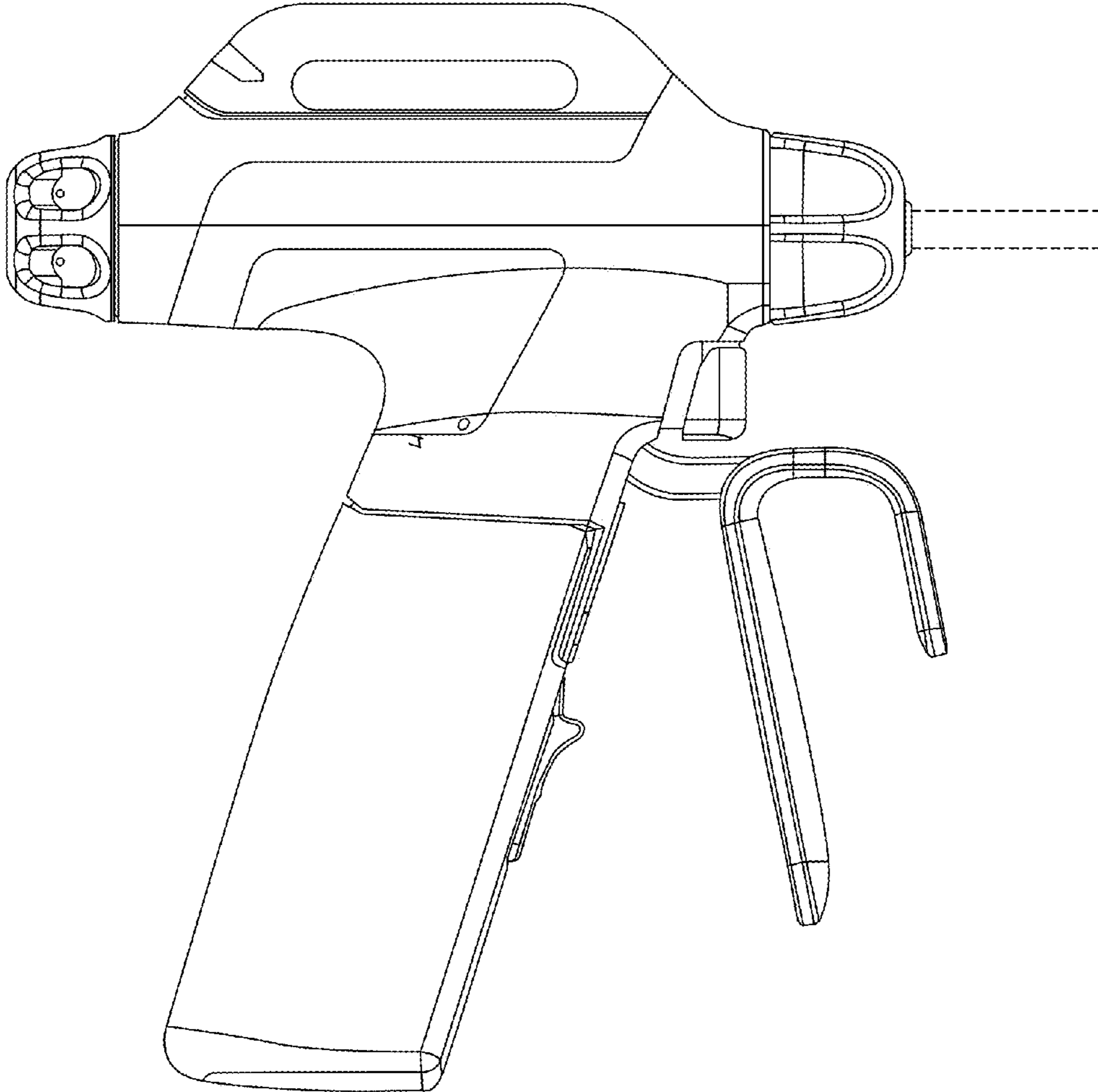


FIG. 1

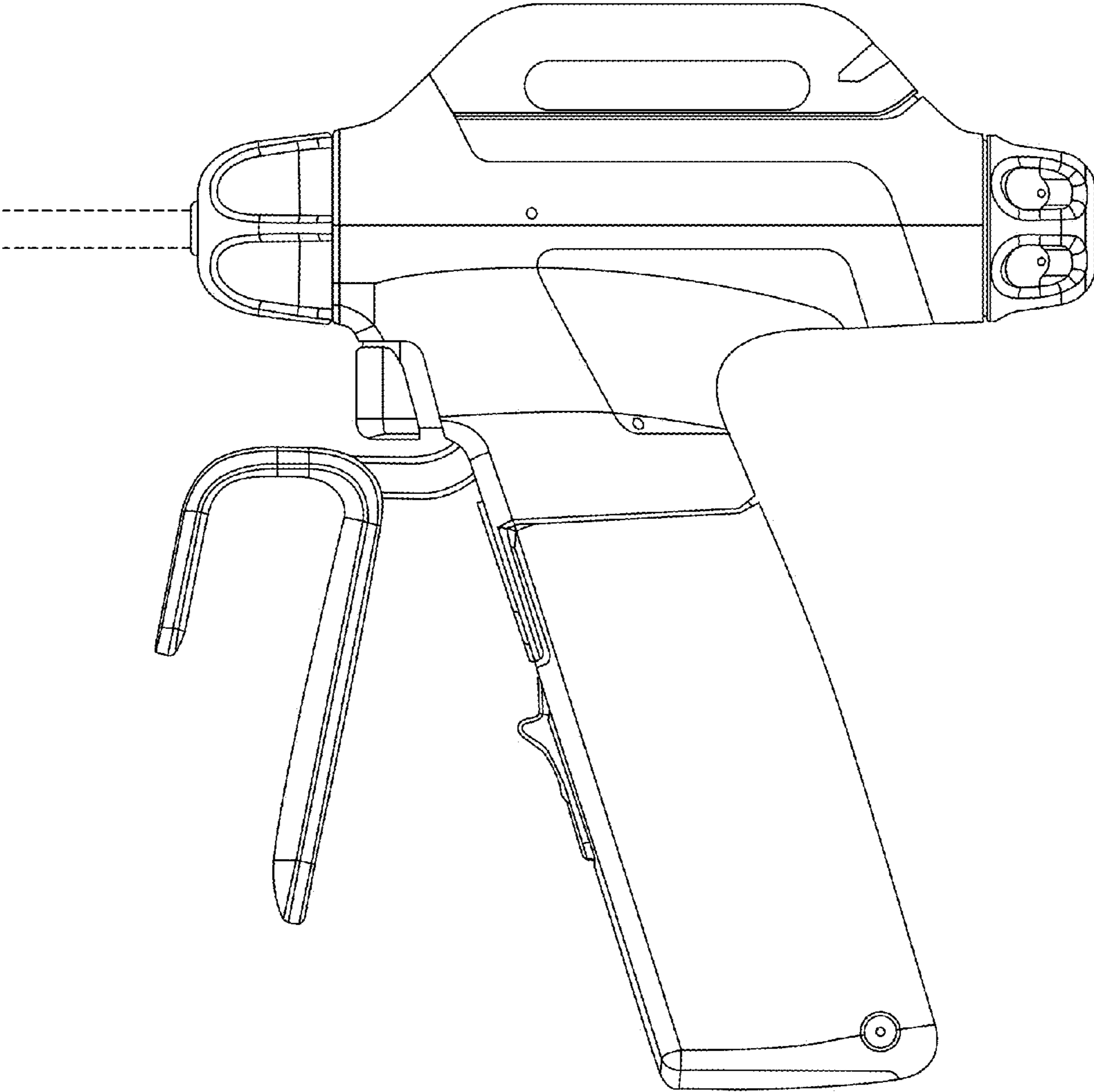


FIG. 2

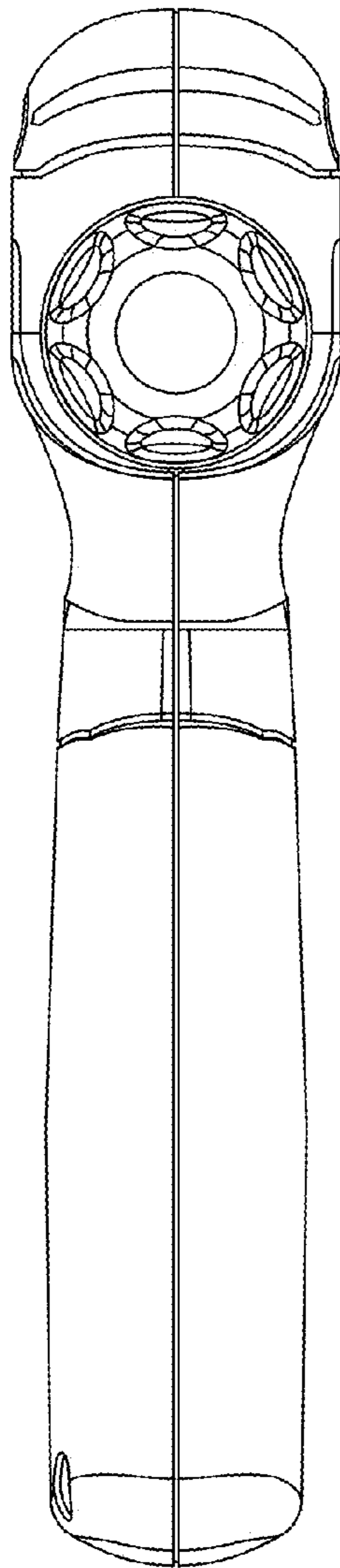


FIG. 3

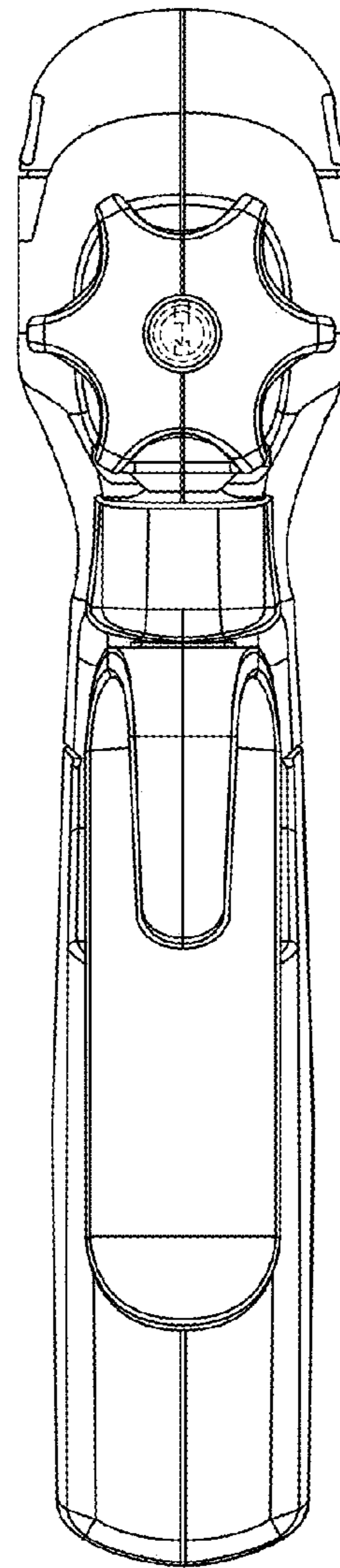


FIG. 4

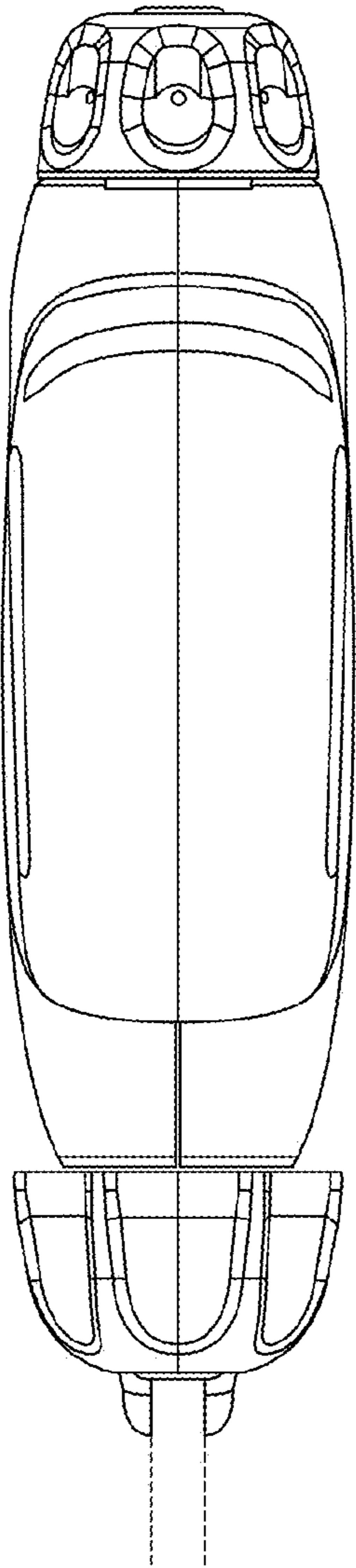


FIG. 5

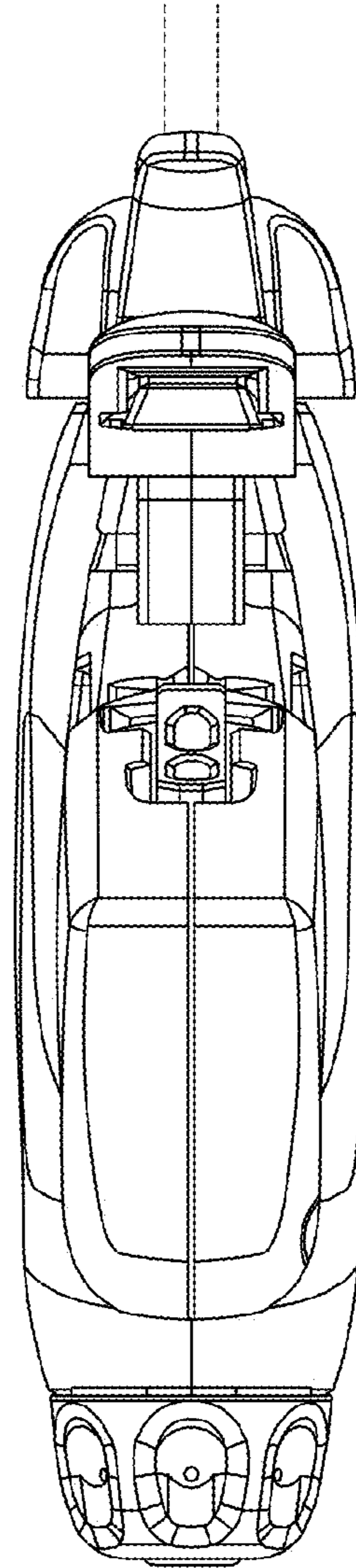


FIG. 6

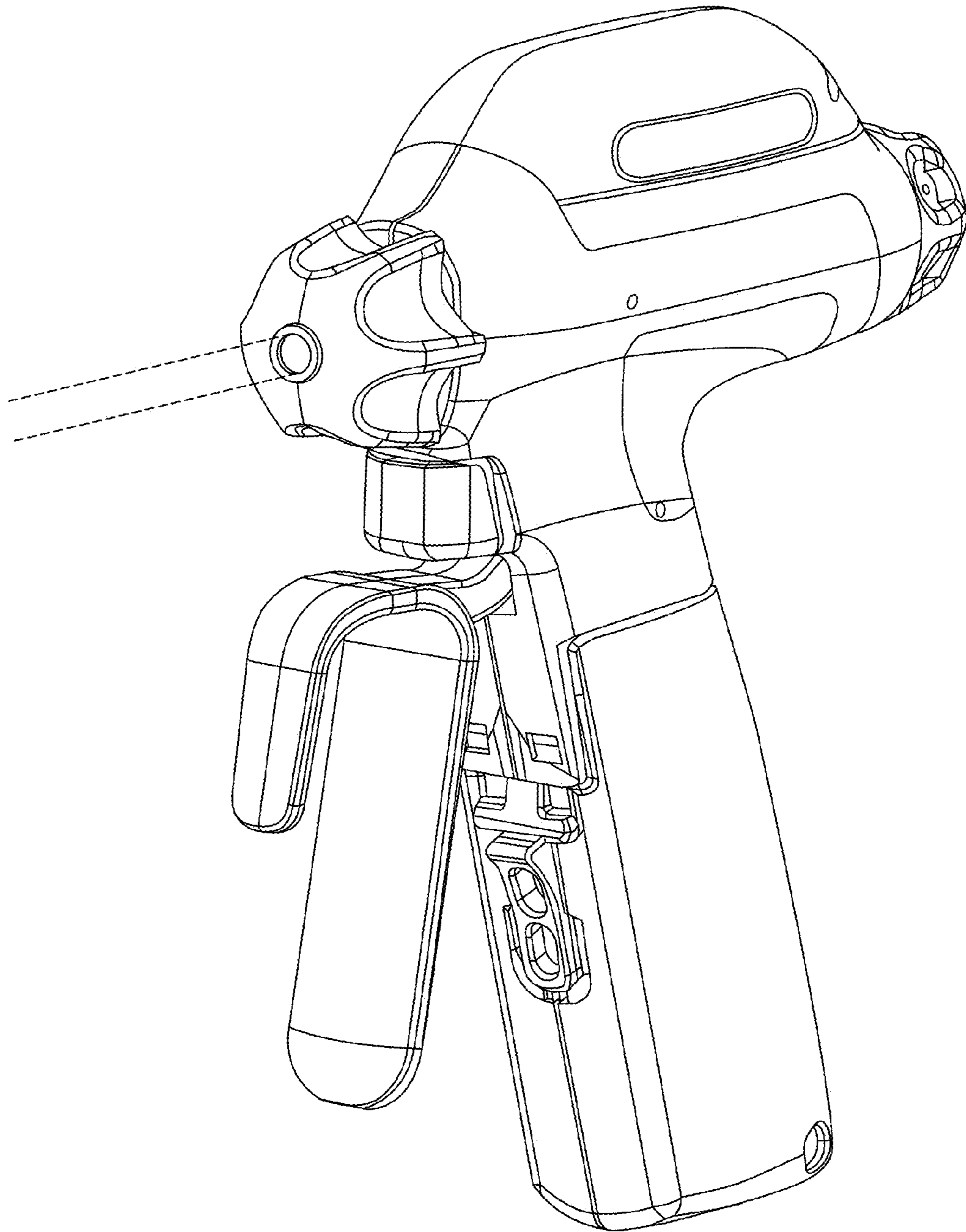


FIG. 7

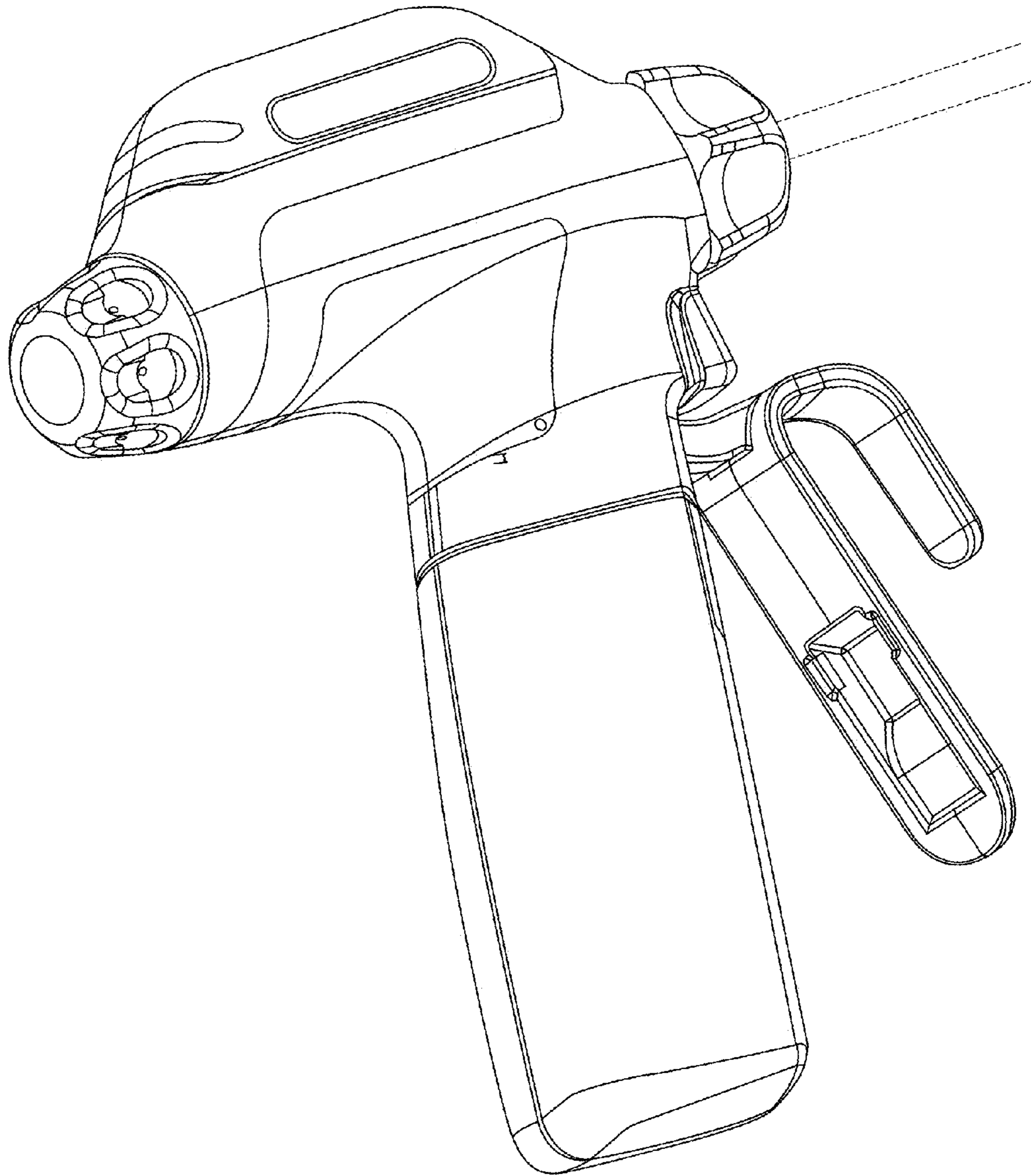


FIG. 8