



US00D700964S

(12) **United States Design Patent**
Krishnan et al.

(10) **Patent No.:** **US D700,964 S**
(45) **Date of Patent:** **** *Mar. 11, 2014**

(54) **HOLDER FOR EVALUATION DEVICE USED TO MEASURE SKIN HYDRATION AND CAPTURE IMAGES OF SKIN OR HAIR**

D589,650 S * 3/2009 Adriaenssen D28/44.1
2005/0159655 A1 * 7/2005 Kao 600/306
2012/0041283 A1 * 2/2012 Krishnan et al. 600/306
2012/0251456 A1 * 10/2012 O'Connor et al. 424/9.2

(75) Inventors: **Srinivasan Krishnan**, Trumbull, CT (US); **Gerd Schmieta**, Boston, MA (US)

* cited by examiner

(73) Assignee: **Conopco, Inc.**, Englewood Cliffs, NJ (US)

Primary Examiner — Antoine D Davis

(74) *Attorney, Agent, or Firm* — Ronald A. Koatz

(*) Notice: This patent is subject to a terminal disclaimer.

(57) **CLAIM**

The ornamental design for an holder for evaluation device used to measure skin hydration and capture images of skin or hair, as shown and described.

(**) Term: **14 Years**

(21) Appl. No.: **29/432,276**

DESCRIPTION

(22) Filed: **Sep. 14, 2012**

(51) **LOC (10) Cl.** **24-02**

(52) **U.S. Cl.**
USPC **D24/133; D10/81**

(58) **Field of Classification Search**
USPC D10/46, 81, 94, 103; D24/133, 140;
600/300, 306, 344
See application file for complete search history.

FIG. 1 is a perspective view of the holder for evaluation device used to measure skin hydration and capture images of skin or hair;

FIG. 2 is a front view thereof;

FIG. 3 is a view of one side thereof;

FIG. 4 is a view of the rear thereof;

FIG. 5 is a view of the other side thereof;

FIG. 6 is a view of the top thereof; and,

FIG. 7 is a view of the bottom thereof.

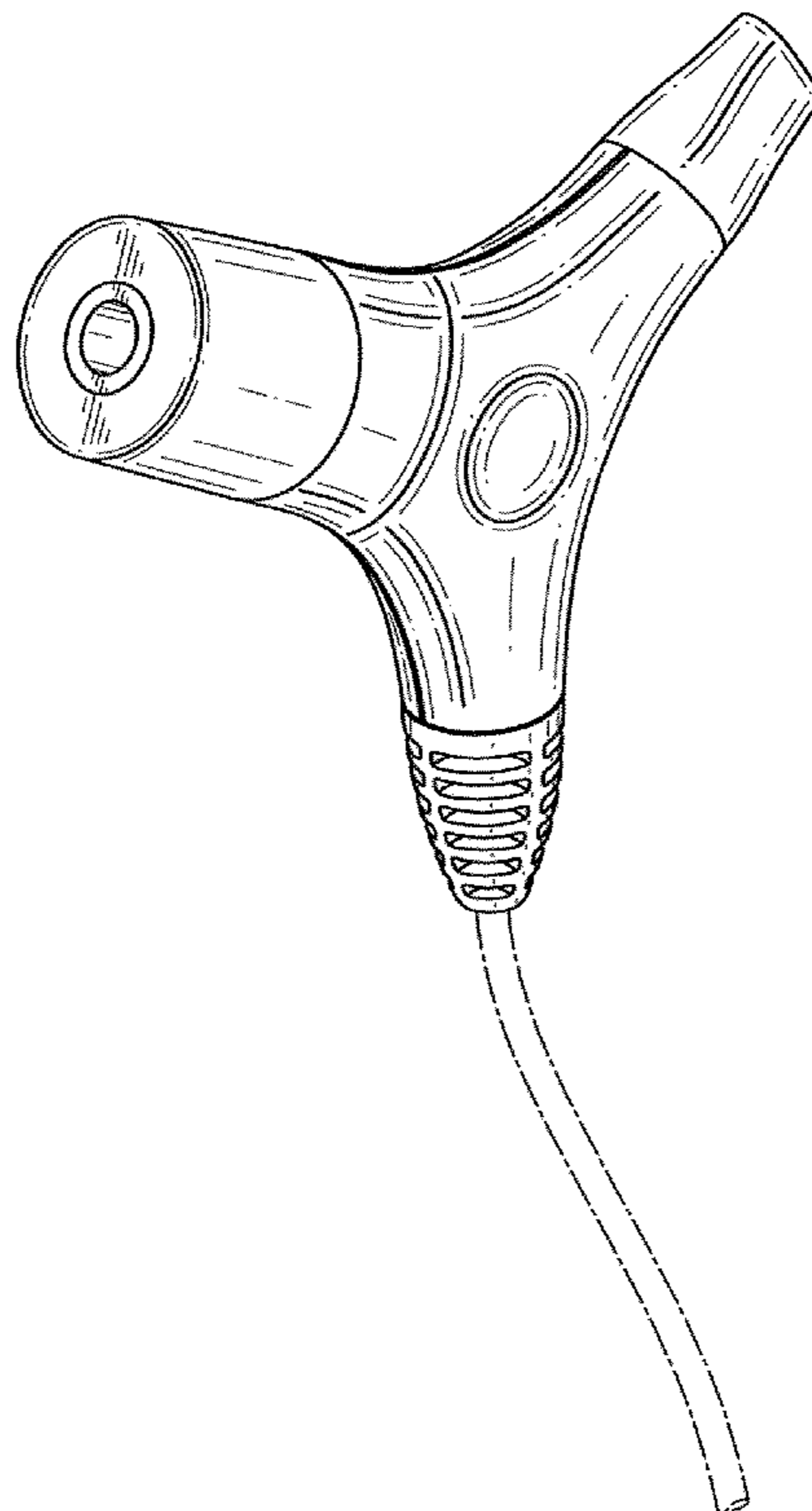
All broken lines are directed to environment and are for illustrative purposes only; the broken lines form no part of the claimed design.

(56) **References Cited**

U.S. PATENT DOCUMENTS

D478,986 S * 8/2003 Johnston et al. D24/133
D569,515 S * 5/2008 DeLonzor et al. D24/146

1 Claim, 6 Drawing Sheets



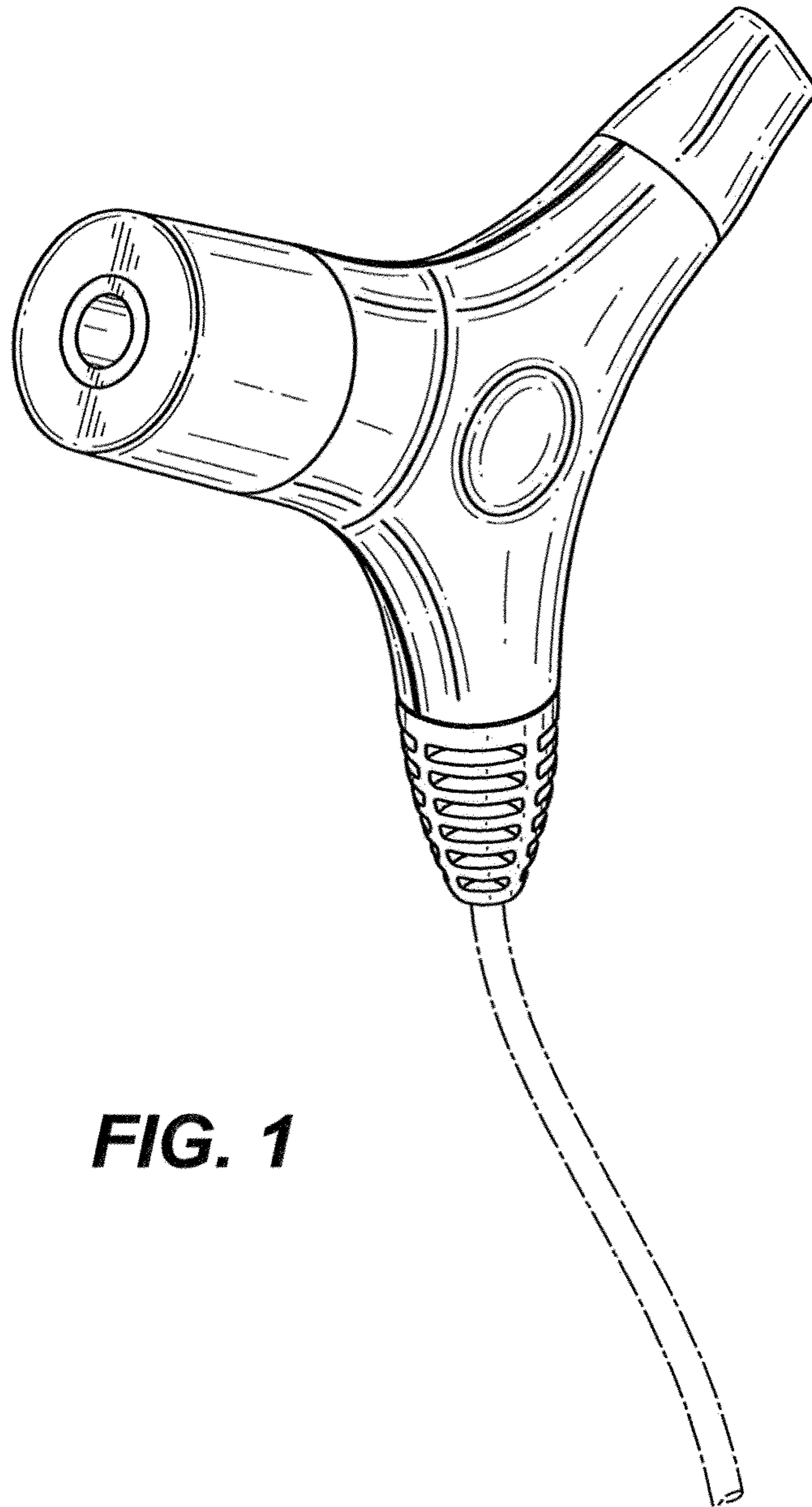


FIG. 1

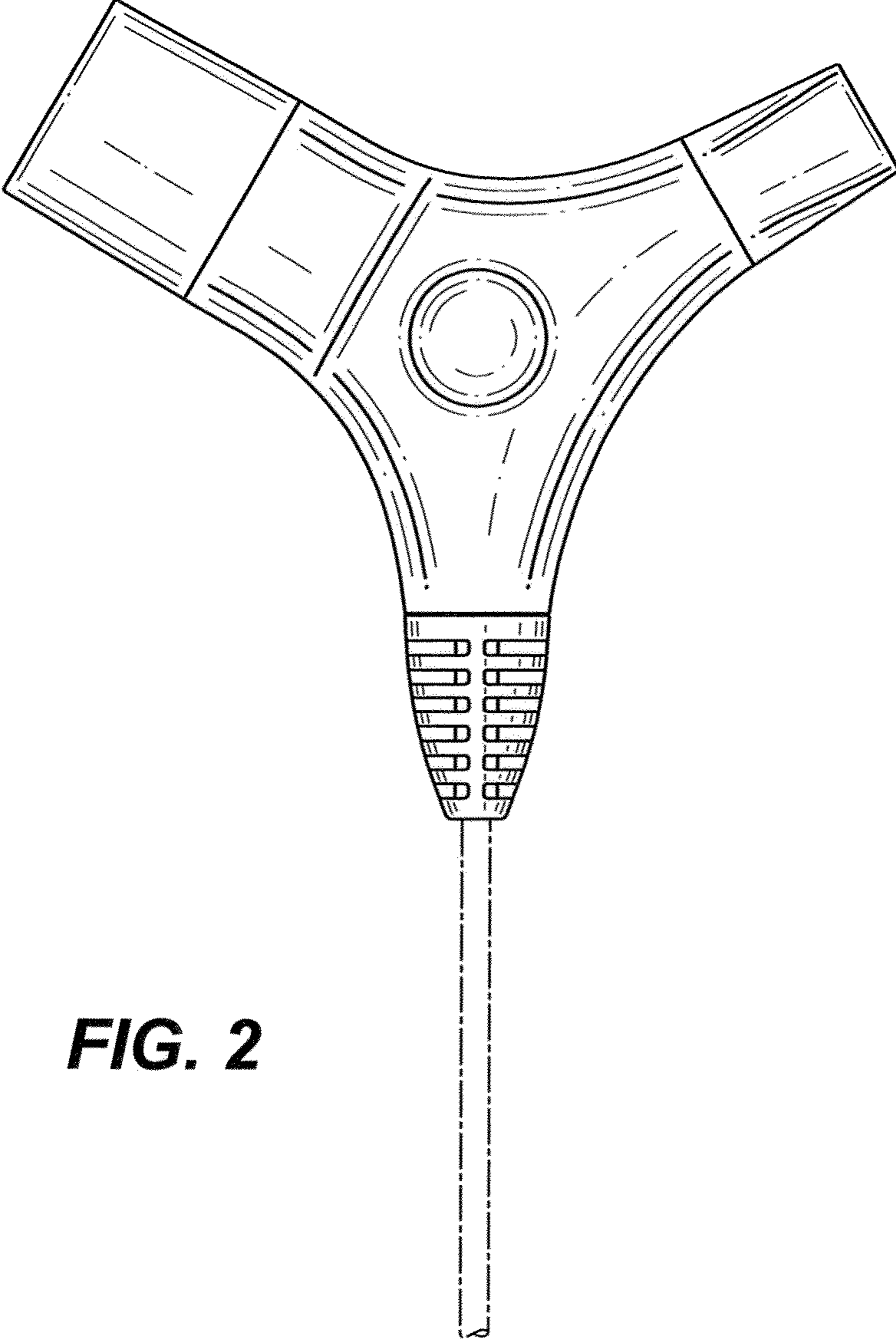


FIG. 2

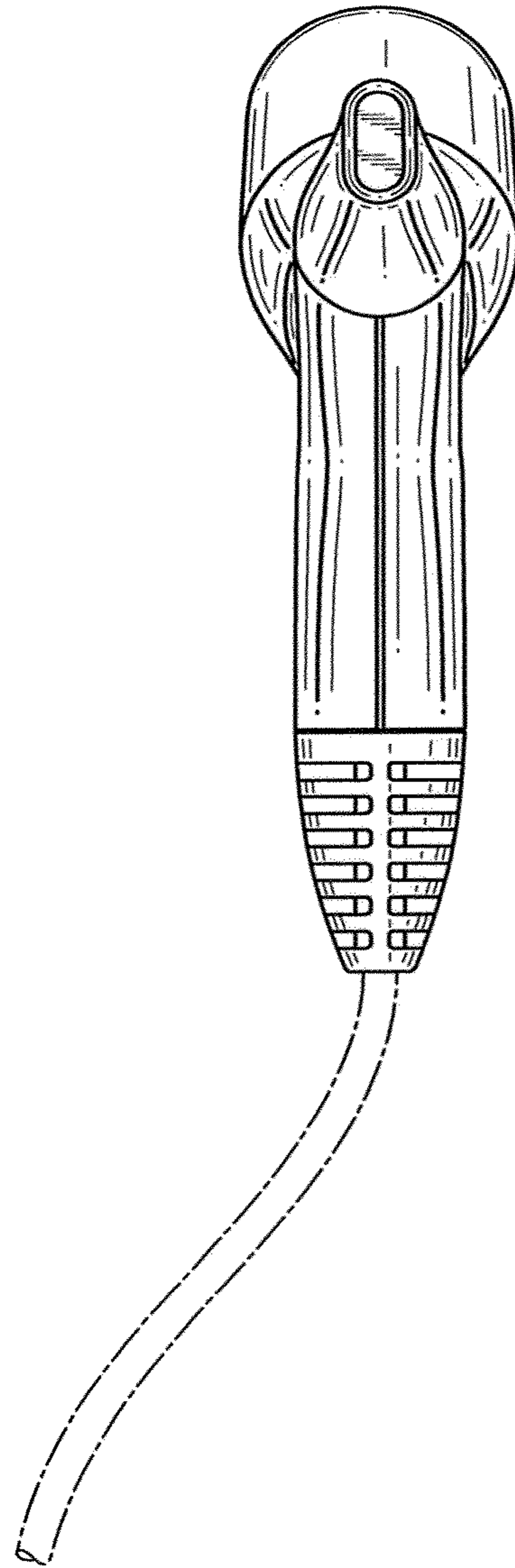


FIG. 3

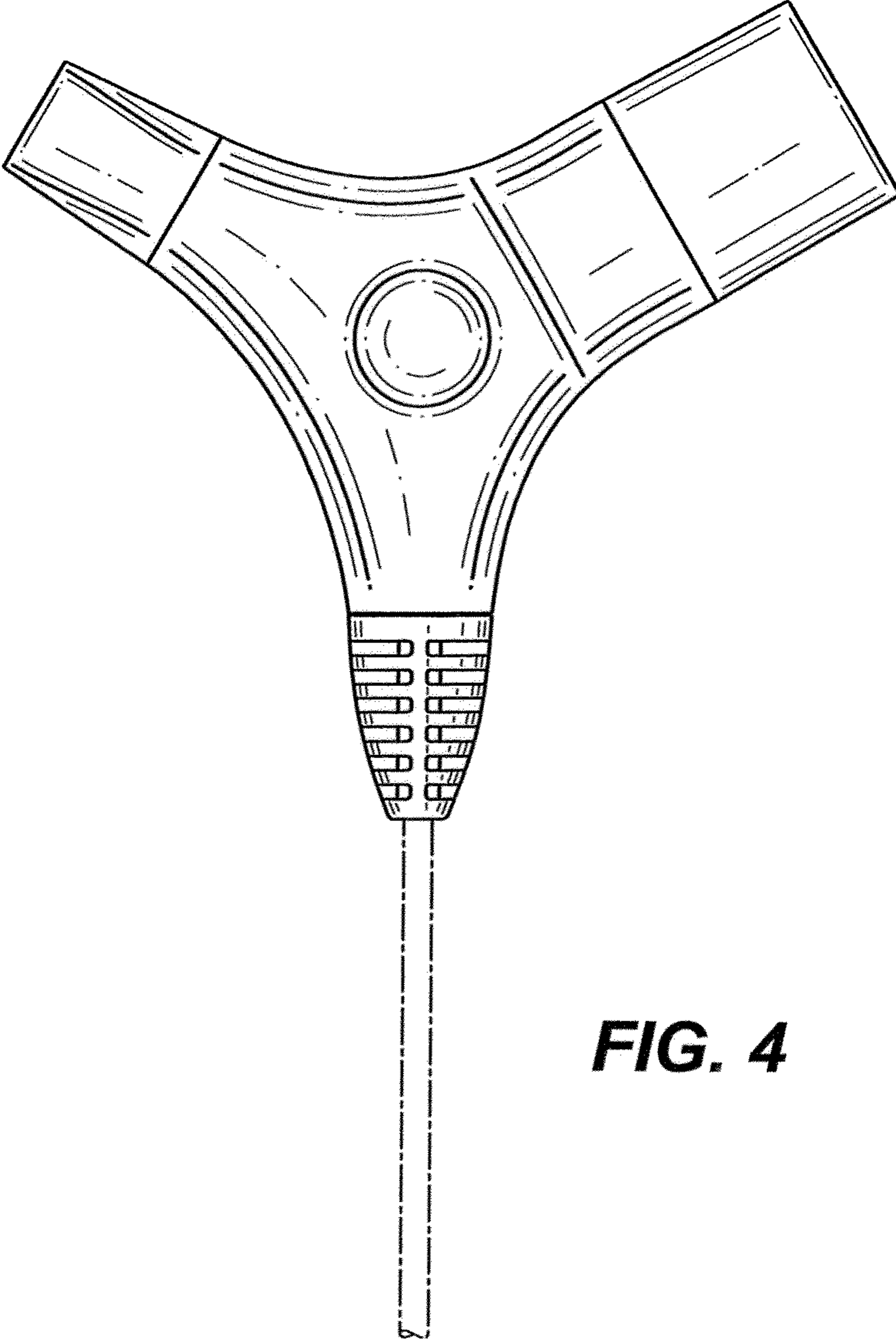


FIG. 4

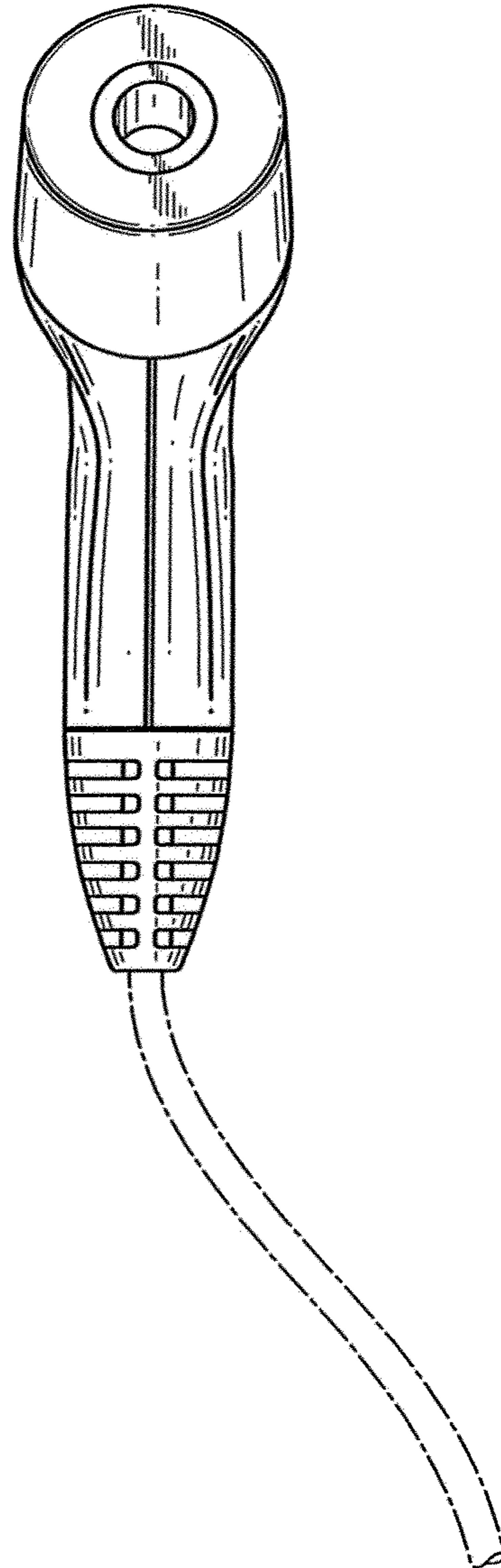


FIG. 5

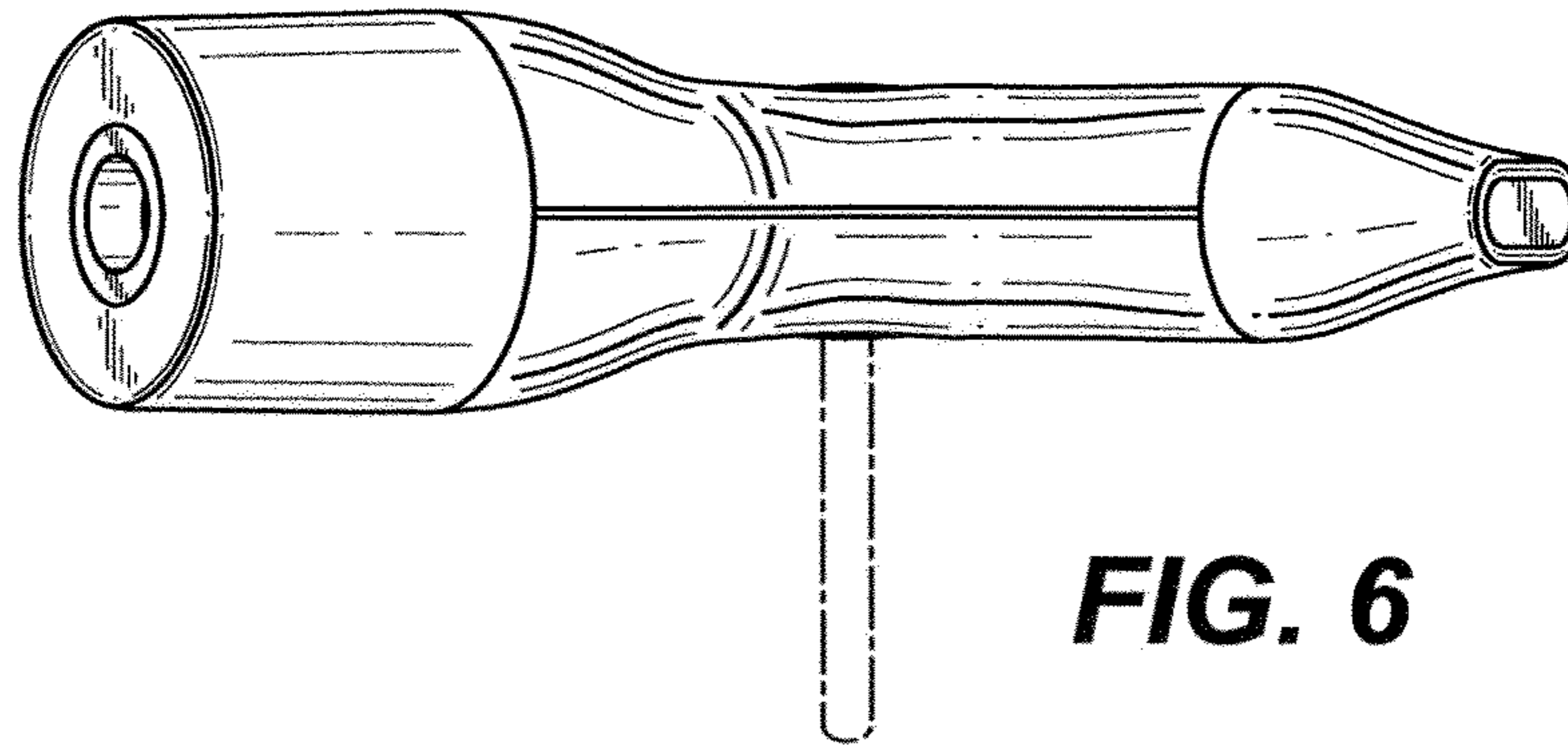


FIG. 6

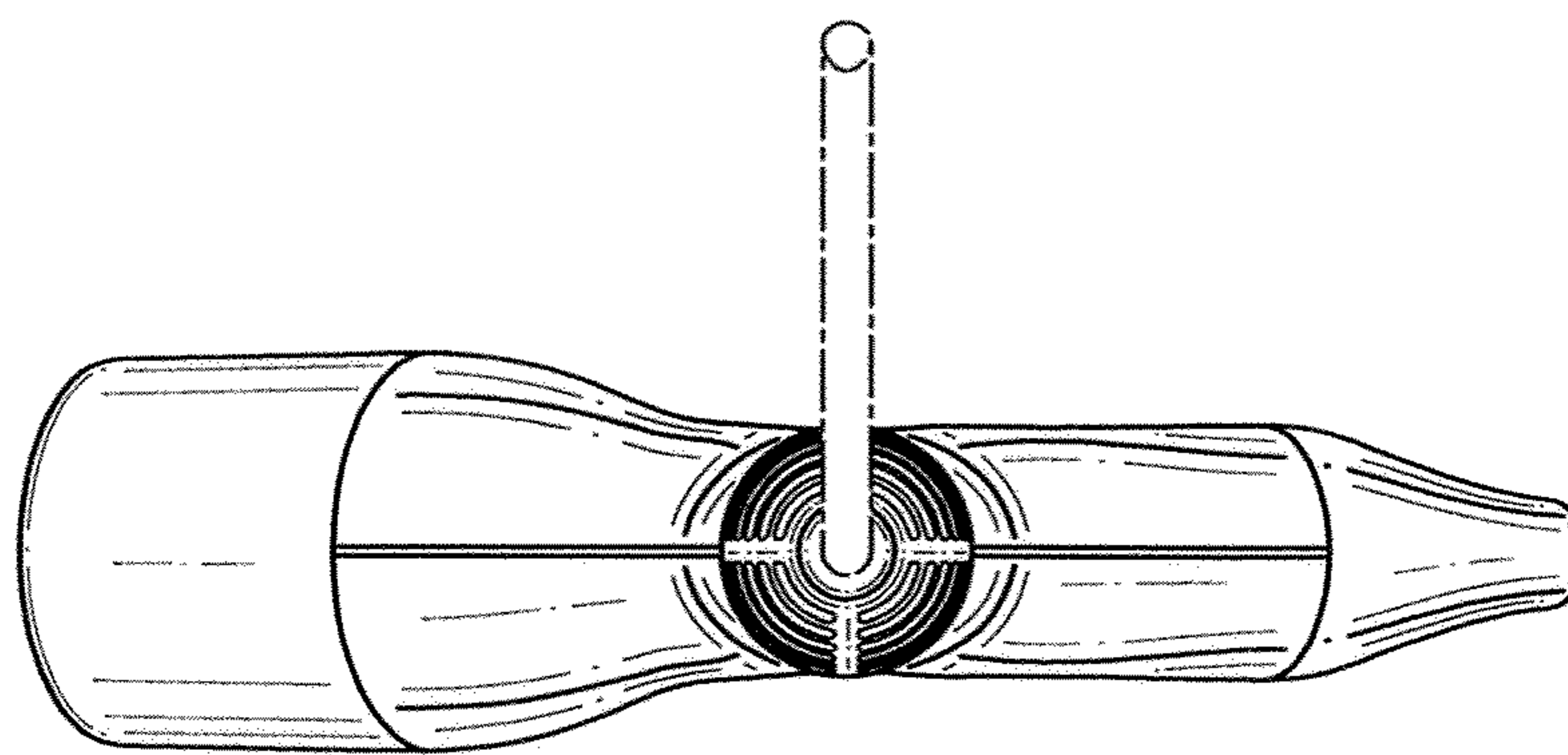


FIG. 7