



US00D700962S

(12) **United States Design Patent**
Lavoie

(10) **Patent No.:** **US D700,962 S**
(45) **Date of Patent:** **** Mar. 11, 2014**

(54) **GAS MASK WITH THERMAL SENSOR**

(71) Applicant: **BAE Systems Information And Electronic Systems Integration Inc., Nashua, NH (US)**

(72) Inventor: **Barry Lavoie, Lowell, MA (US)**

(73) Assignee: **BAE Systems Information and Electronic Systems Integration Inc., Nashua, NH (US)**

(**) Term: **14 Years**

(21) Appl. No.: **29/467,306**

(22) Filed: **Sep. 18, 2013**

Related U.S. Application Data

(63) Continuation-in-part of application No. 13/833,172, filed on Mar. 15, 2013.

(51) **LOC (10) Cl.** **29-02**

(52) **U.S. Cl.**
USPC **D24/110.2**

(58) **Field of Classification Search**
USPC D24/110.1-110.4; D29/103, 110; 128/204.18, 204.21, 204.23, 206.12, 128/206.23, 206.24, 206.28, 207.12; 348/164; 359/815; 600/537; 607/140

See application file for complete search history.

(56) **References Cited**

U.S. PATENT DOCUMENTS

- 3,202,150 A * 8/1965 Miller 128/205.12
- D208,077 S * 7/1967 Fountain et al. D24/110.2
- 3,343,535 A * 9/1967 Lytle et al. 128/206.24
- 4,653,879 A 3/1987 Filipovich
- 4,655,562 A 4/1987 Kreitzer et al.
- 5,200,827 A 4/1993 Hanson et al.
- 5,379,140 A 1/1995 Michel et al.
- 5,581,271 A 12/1996 Kraemer

- 6,160,666 A 12/2000 Rallison et al.
- 6,717,737 B1 4/2004 Haglund
- 6,859,327 B2 * 2/2005 Del Bianco et al. 359/630

(Continued)

FOREIGN PATENT DOCUMENTS

JP 2011145578 1/2010

OTHER PUBLICATIONS

Paul Ridden, "World First GPS Goggles With Head Mounted Display," *Wearable Electronics*, Oct. 8, 2010.

(Continued)

Primary Examiner — Ian Simmons

Assistant Examiner — Richelle G Shelton

(74) *Attorney, Agent, or Firm* — Sand & Sebolt; Rodney E. Haven; Clay H. Cunningham

(57) **CLAIM**

The ornamental design for gas mask with thermal sensor, as shown and described.

DESCRIPTION

FIG. 1 is a front elevation view of the gas mask with thermal sensor of the present invention.

FIG. 2 is a left side elevation view of the gas mask with thermal sensor.

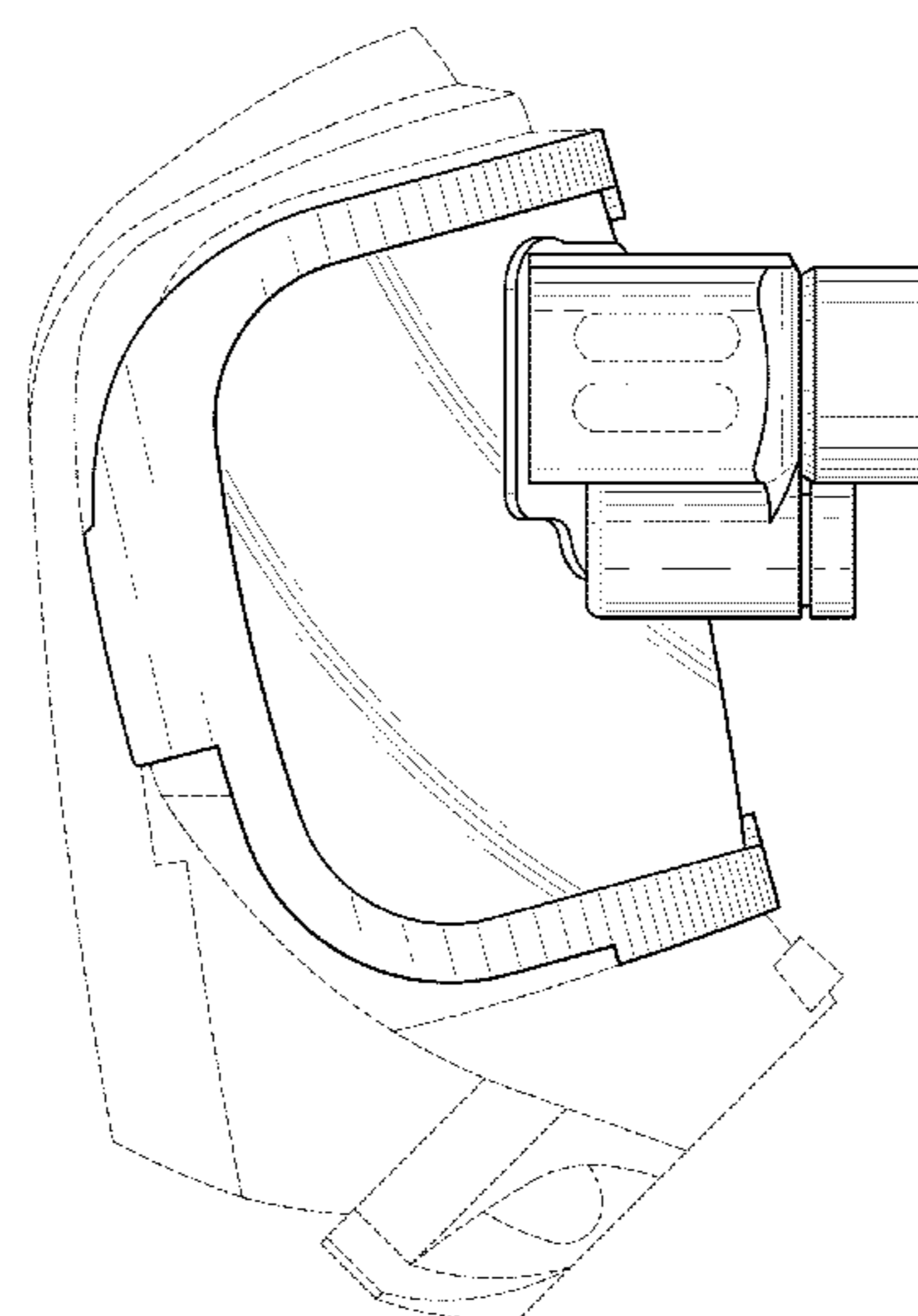
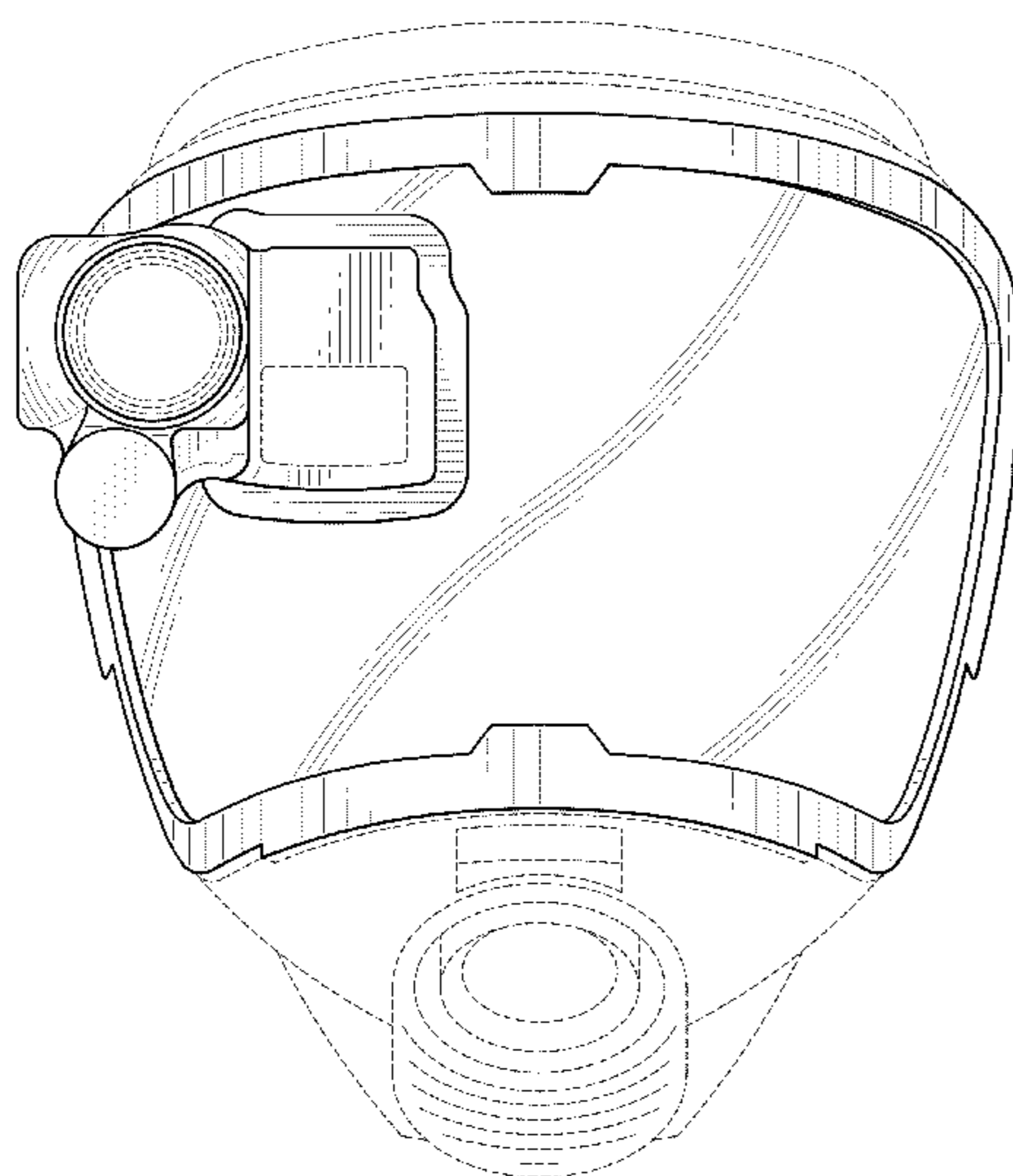
FIG. 3 is a right side elevation view of the gas mask with thermal sensor.

FIG. 4 is a top plan view of the gas mask with thermal sensor; and,

FIG. 5 is a bottom plan view of the gas mask with thermal sensor.

The broken line showing of portions of the article immediately adjacent the shaded areas is included for the purpose of illustrating environmental structure with the lines themselves and the areas within forming no part of the claimed design.

1 Claim, 5 Drawing Sheets



(56)

References Cited

U.S. PATENT DOCUMENTS

D503,497	S *	3/2005	Canavan et al.	D29/110
6,900,777	B1	5/2005	Hebert et al.		
7,245,273	B2	7/2007	Eberl et al.		
7,369,174	B2 *	5/2008	Olita et al.	348/373
7,460,304	B1 *	12/2008	Epstein et al.	359/618
7,969,383	B2	6/2011	Eberl et al.		
D668,758	S *	10/2012	Hall et al.	D24/110.3

OTHER PUBLICATIONS

Survivair SCBA: Business & Industrial | eBay. (n.d.). Electronics, Cars, Fashion, Collectibles, Coupons and More Online Shopping | eBay. Retrieved Oct. 14, 2013, from <http://www.ebay.com/bhp/survivair-scba>.

OES Products Group. (n.d.). OES Products Group. Retrieved Oct. 14, 2013, from <http://www.theoesgroup.com/>.

Air Soft Extreme. (n.d.). Air Soft Extreme. Retrieved Oct. 14, 2013, from www.airsoftextreme.com/store/index.php?main_page=product_info&cPath=254_671&products_id=6793&zenid=osI8ng6c6pmdvk5be62n0dem50.

MSA MSA Ultra Elite(TM) SCBA Respirator, S—Full Face Respirators—4AFU9|10084690—Grainger Industrial Supply. (n.d.). Grainger Industrial Supply—MRO Supplies, MRO Equipment, Tools & Solutions. Retrieved Oct. 14, 2013, from <http://www.grainger.com/Grainger/MSA-Full-Face-Respirator-4AFU9>.

Dräger FPS-COM-PLUS. (n.d.). Home. Retrieved Oct. 14, 2013, from http://www.draeger.com/sites/enus_us/Pages/Oil-Gas-Industry/Draeger-FPS-COM-PLUS.aspx.

Arayem Trade—Scott Sabre self contained breathing apparatus. (n.d.). Arayem Trade—Home. Retrieved Oct. 14, 2013, from http://arayemtrade.com/sabre_self_contained_breathing_apparatus.

* cited by examiner

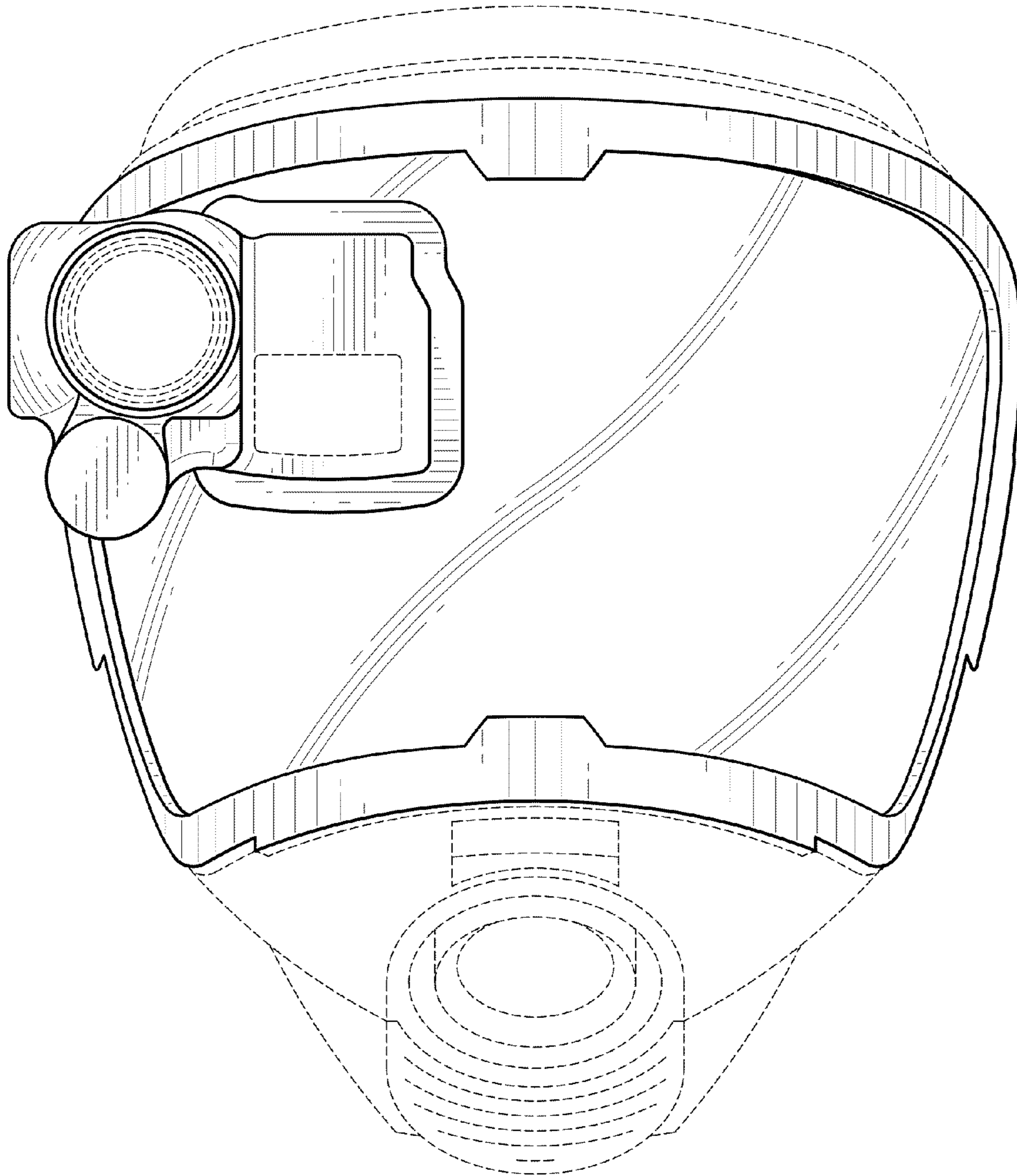


FIG-1

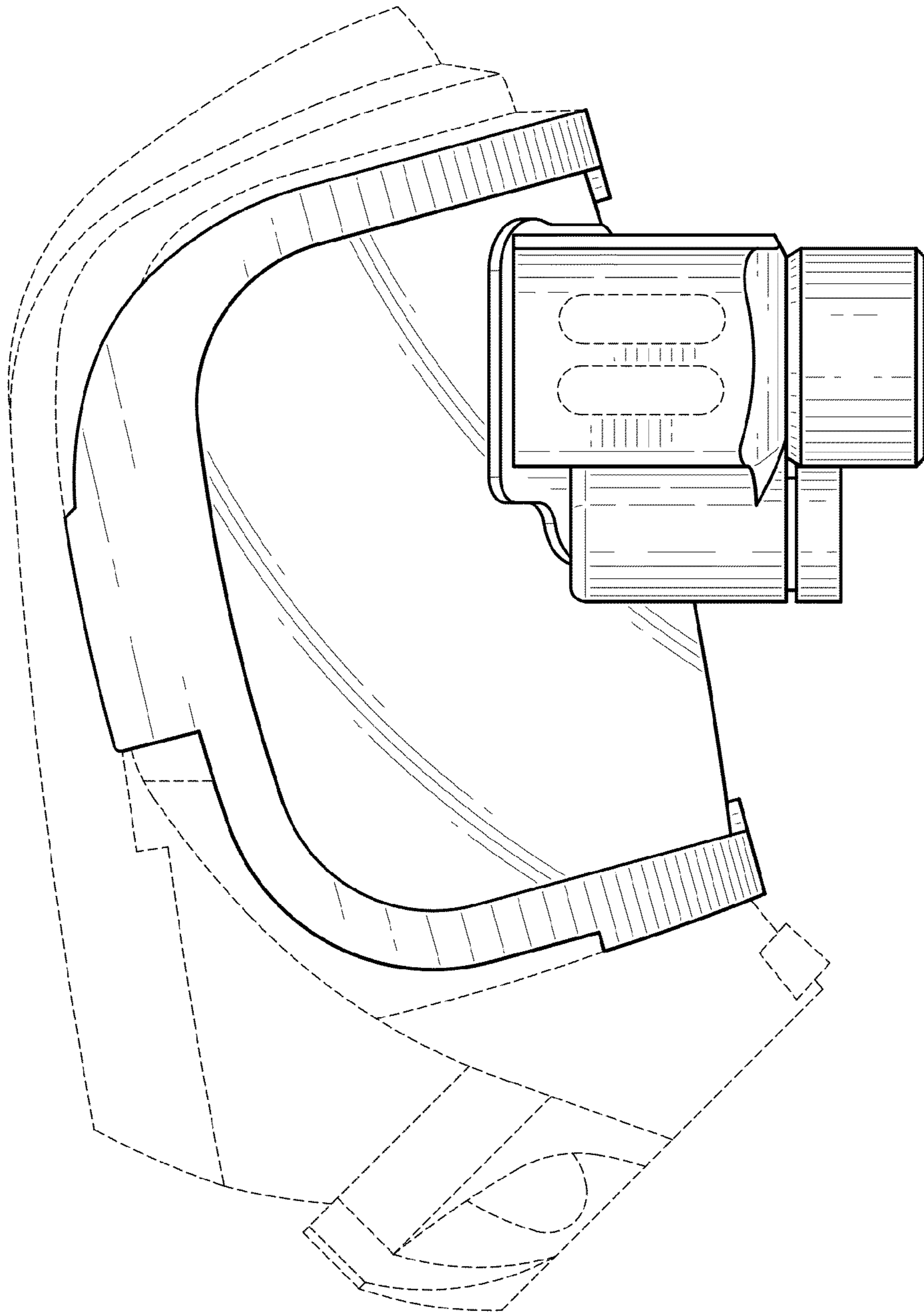


FIG-2

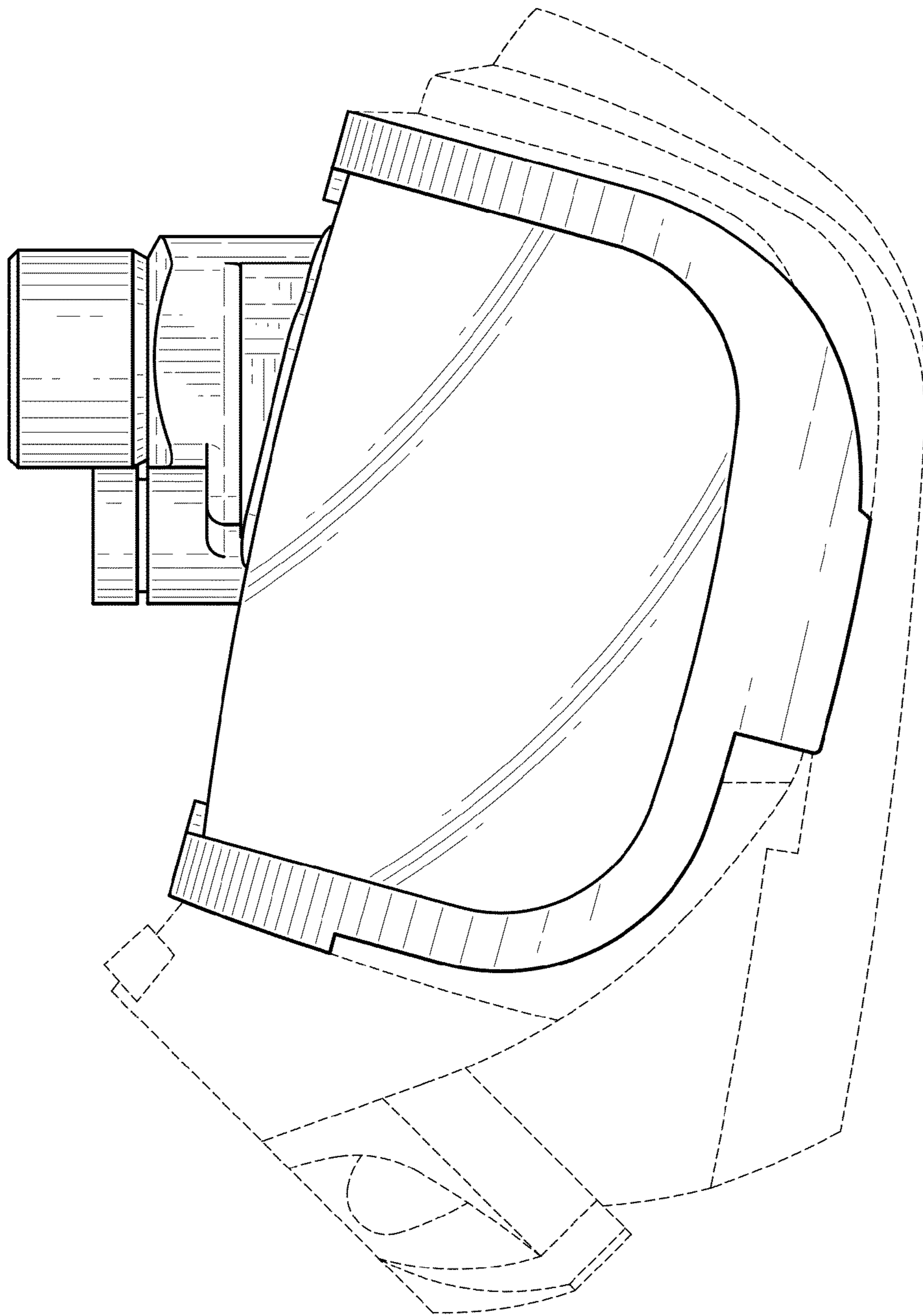


FIG-3

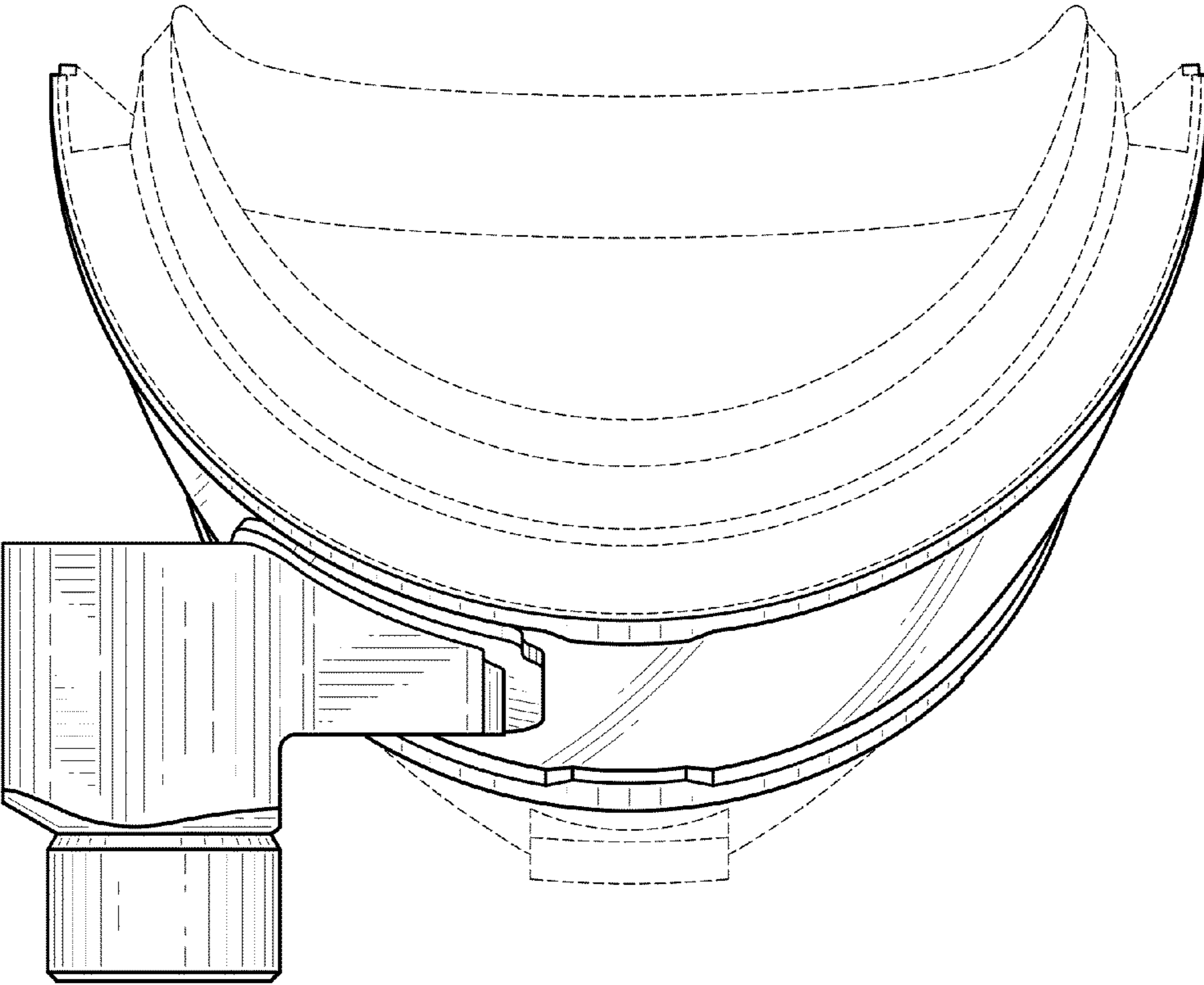


FIG-4

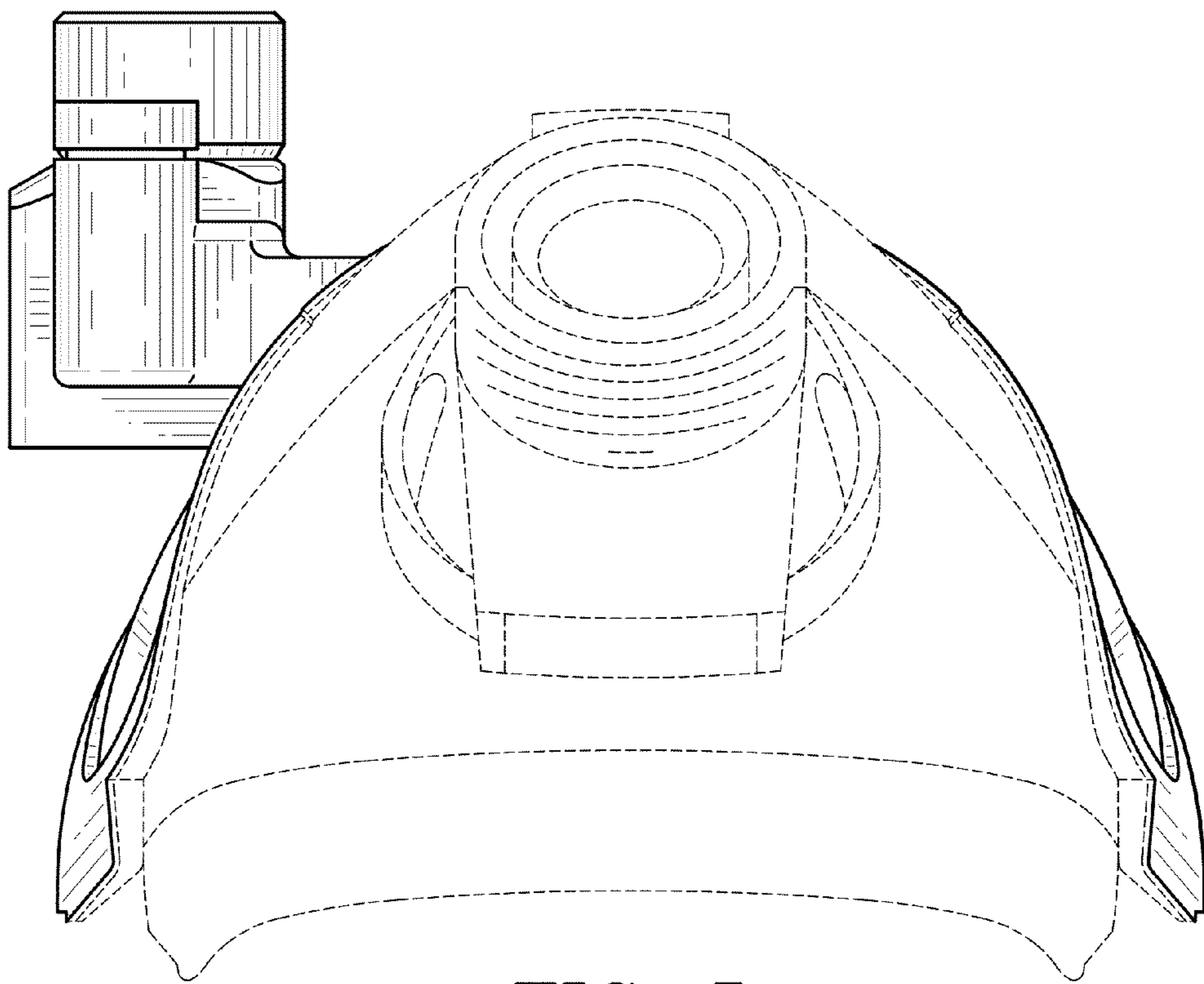


FIG-5