



US00D700961S

(12) **United States Design Patent**  
**Tellez et al.**

(10) **Patent No.:** **US D700,961 S**  
(45) **Date of Patent:** **\*\* Mar. 11, 2014**

(54) **PADDED CPAP STRAP COVER**

(71) Applicants: **Carmen P. Tellez**, Hopewell, VA (US);  
**Daniel Tellez**, Hopewell, VA (US)

(72) Inventors: **Carmen P. Tellez**, Hopewell, VA (US);  
**Daniel Tellez**, Hopewell, VA (US)

(\*\*) Term: **14 Years**

(21) Appl. No.: **29/444,385**

(22) Filed: **Jan. 30, 2013**

(51) **LOC (10) Cl.** ..... **29-02**

(52) **U.S. Cl.**  
USPC ..... **D24/110**

(58) **Field of Classification Search**  
USPC ..... D24/110-110.5; D2/891; D3/327;  
2/460; 128/201.22, 201.23, 201.26,  
128/206.21, 206.24, 206.28, 206.29,  
128/207.11, 207.17, 857; 297/482  
See application file for complete search history.

(56) **References Cited**

U.S. PATENT DOCUMENTS

1,631,694	A *	6/1927	Rick	.....	224/264
2,589,755	A *	3/1952	Ward et al.	.....	2/460
4,575,874	A	3/1986	Johnson		
4,741,574	A	5/1988	Weightman et al.		
5,109,803	A *	5/1992	Dunham et al.	.....	119/654
5,546,605	A *	8/1996	Mallardi	.....	2/209.13
5,551,614	A *	9/1996	Ham	.....	224/264
5,566,871	A	10/1996	Weintraub		
D396,938	S	8/1998	Bugatti		
7,121,628	B2 *	10/2006	Lo	.....	297/482

D651,707	S *	1/2012	McKay	.....	D24/110
D653,746	S	2/2012	Gibson et al.		
D660,413	S *	5/2012	Hill et al.	.....	D24/110.1
2002/0171284	A1 *	11/2002	Telekesi et al.	.....	297/482
2008/0264422	A1	10/2008	Fishman		
2009/0032018	A1 *	2/2009	Eaton et al.	.....	128/201.22
2010/0258132	A1	10/2010	Moore		

OTHER PUBLICATIONS

www.cpapxpress.com: Pad A Cheek Neck Upper Strap; Jan. 29, 2013.

\* cited by examiner

*Primary Examiner* — Ian Simmons  
*Assistant Examiner* — Richelle G Shelton

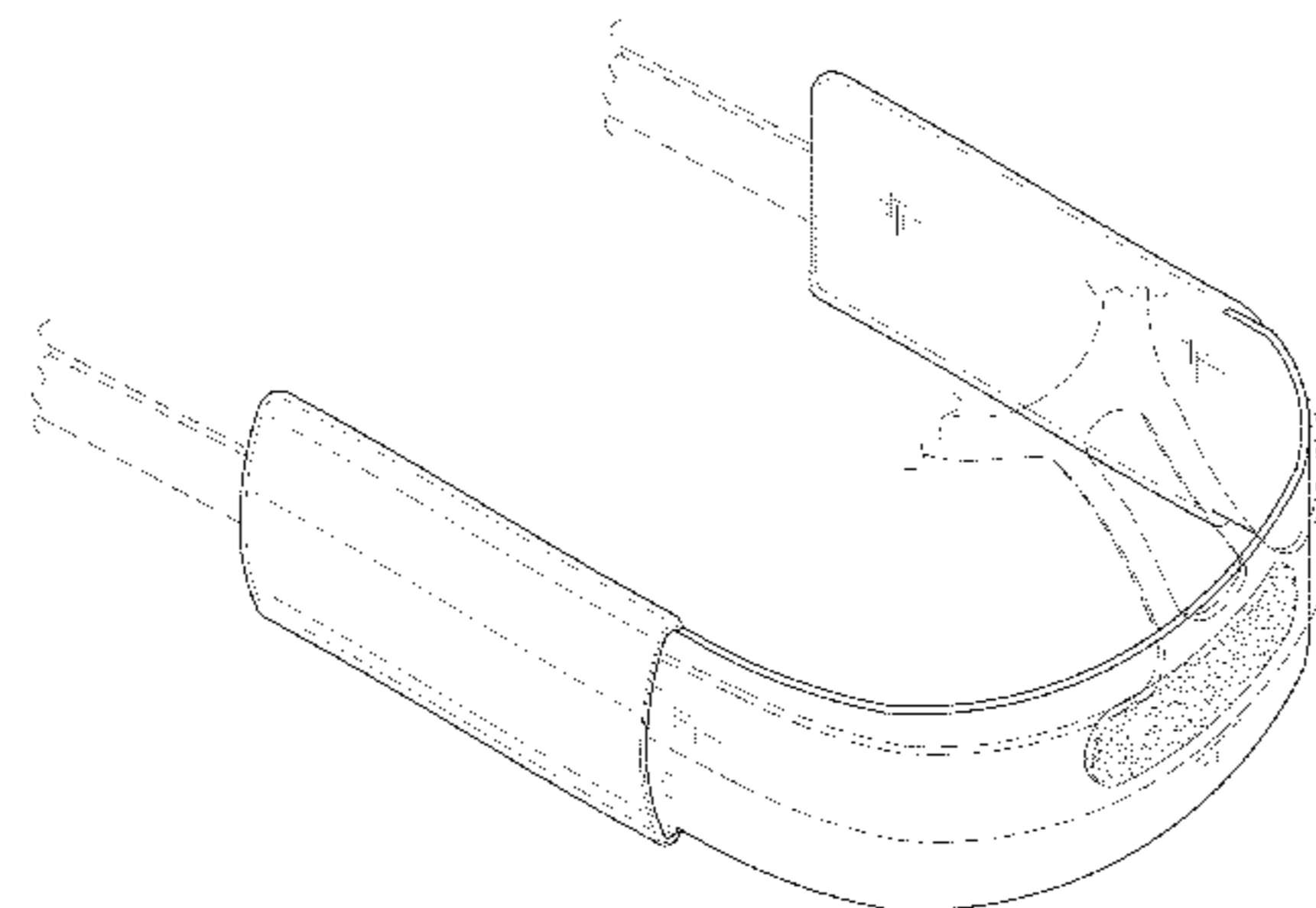
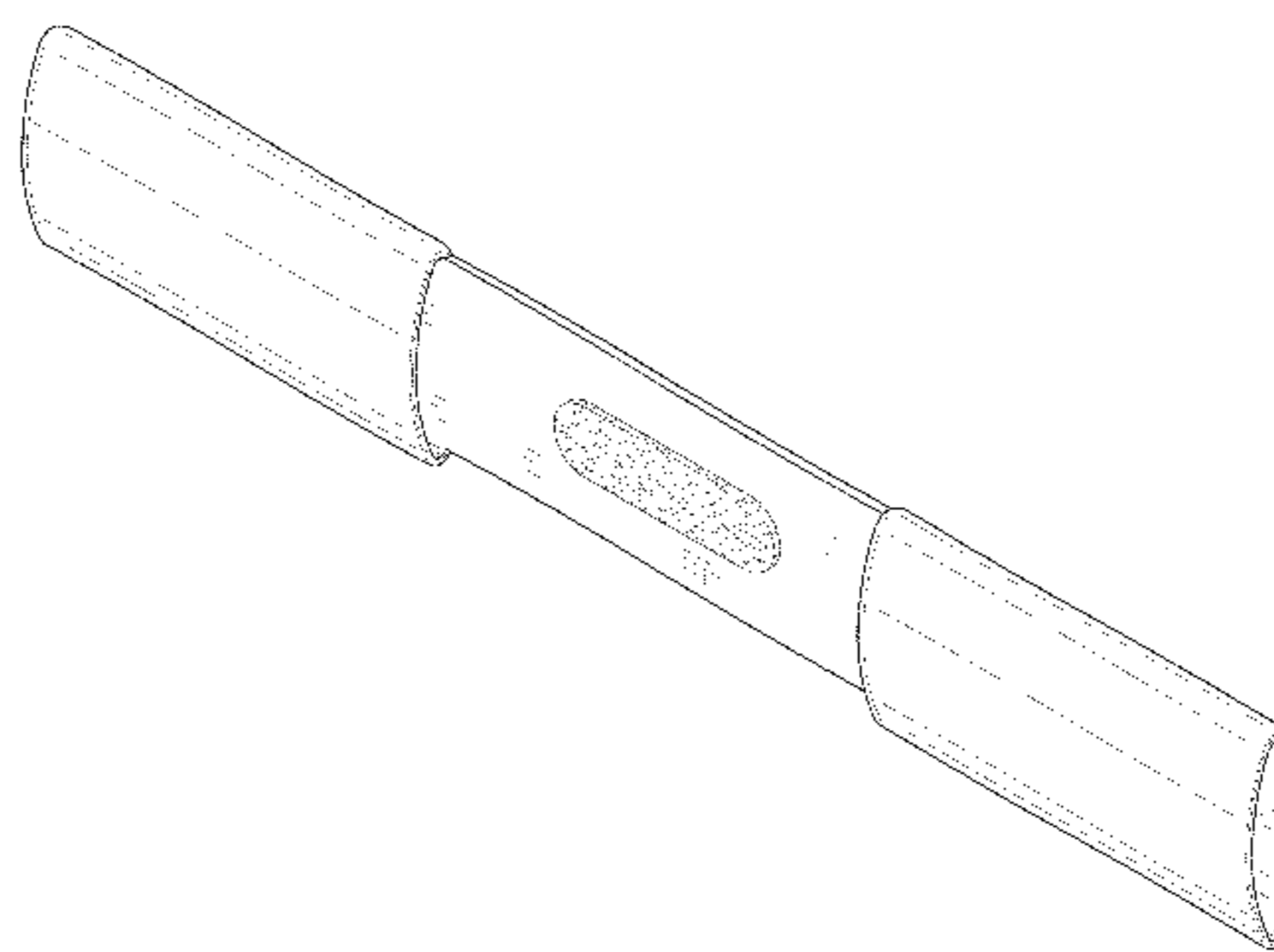
(57) **CLAIM**

The ornamental design for a padded CPAP strap cover, as shown and described.

**DESCRIPTION**

FIG. 1 is a perspective view of a padded CPAP strap cover showing my new design;  
FIG. 2 is a front view thereof;  
FIG. 3 is a back view thereof;  
FIG. 4 is a side view; opposite side view is a mirror image thereof;  
FIG. 5 is a top view; opposite bottom view is a mirror image thereof; and,  
FIG. 6 is an in-use perspective view.  
In FIGS. 1, 2, and 4-6, the shaded oval surface indicates an attachment means.  
In FIG. 6, the broken lines showing the environmental structure for purposes of illustrating the padded CPAP strap cover in a condition of use. The broken lines and the structure they depict form no part of the claimed design.

**1 Claim, 3 Drawing Sheets**



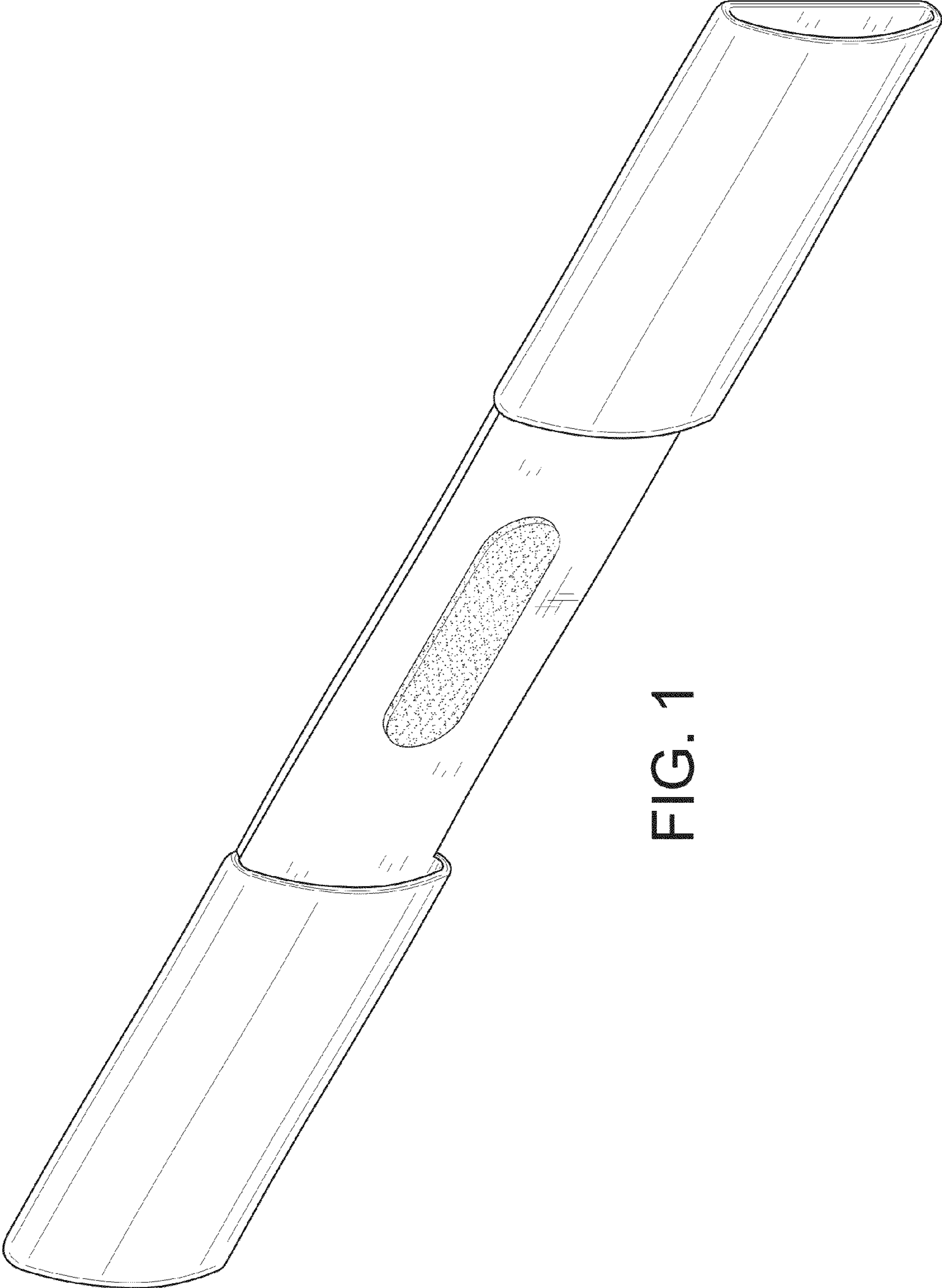


FIG. 1

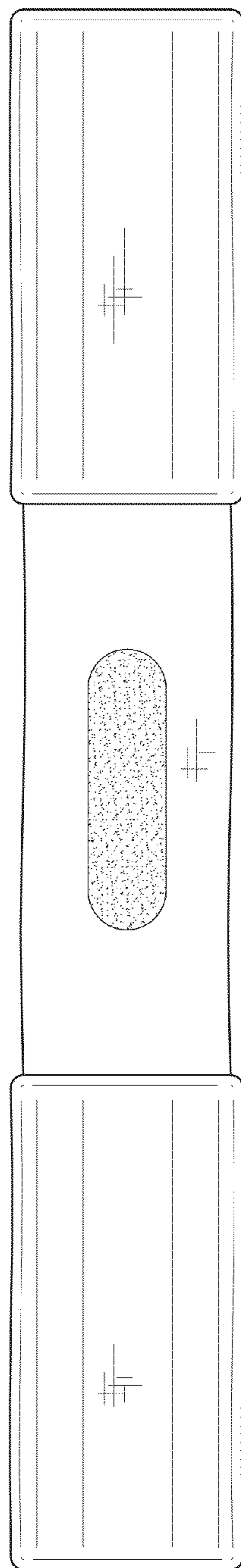


FIG. 2

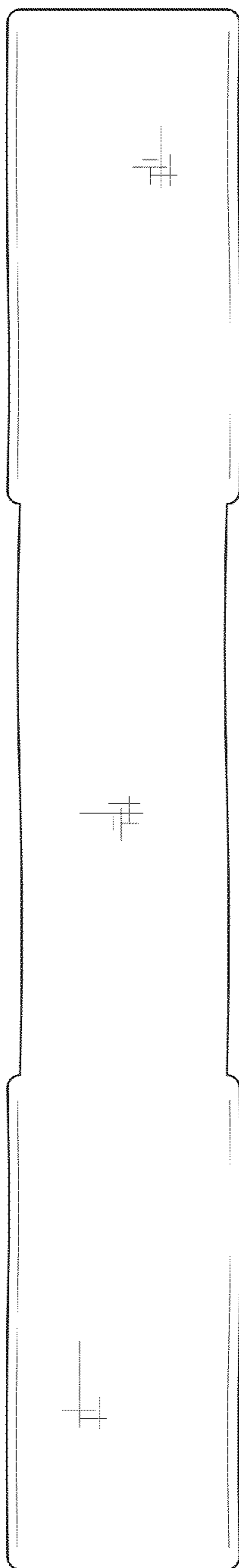


FIG. 3

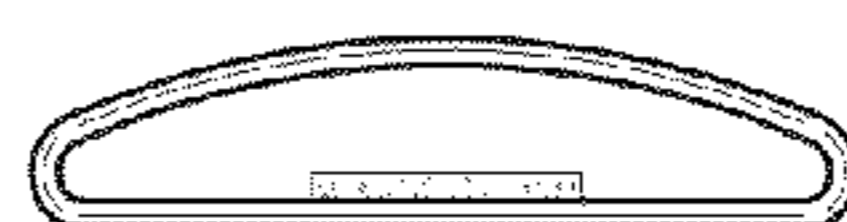


FIG. 4

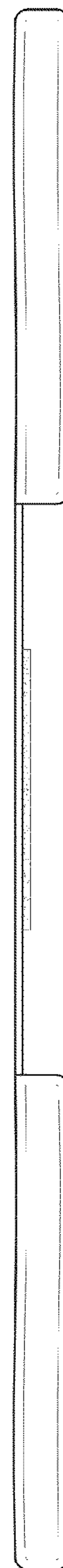


FIG. 5

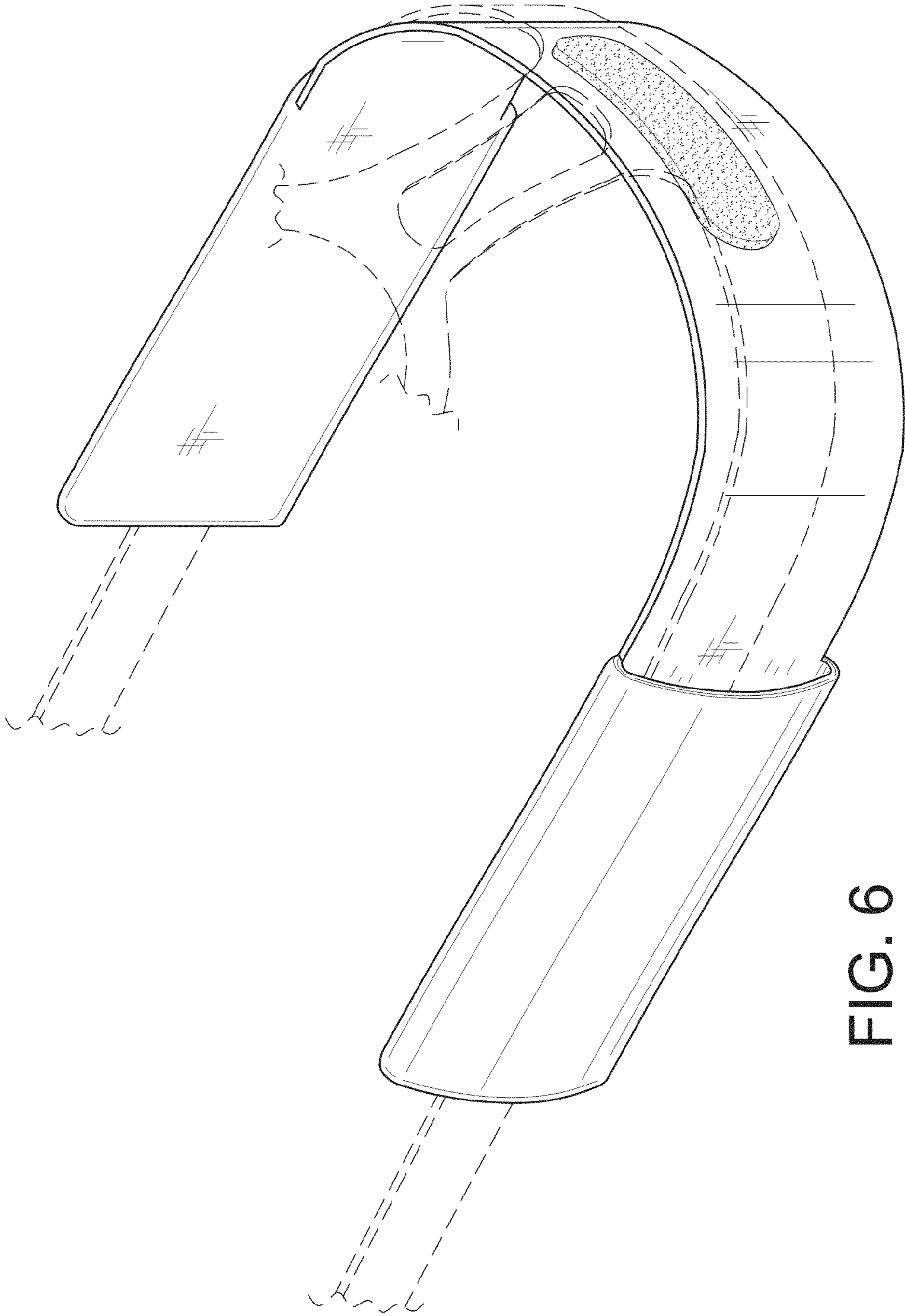


FIG. 6