



US00D700957S

(12) **United States Design Patent**
Mendoza et al.

(10) **Patent No.:** **US D700,957 S**
(45) **Date of Patent:** **** Mar. 11, 2014**

(54) **HANDLE FOR SHOWER**

(71) Applicant: **Toto, Ltd.**, Kitakyushu (JP)
(72) Inventors: **Lea Mari Mendoza**, Morrow, GA (US);
Steven Chen, Morrow, GA (US);
Mitsuya Obara, Morrow, GA (US)

(73) Assignee: **TOTO Ltd.** (JP)

(**) Term: **14 Years**

(21) Appl. No.: **29/451,275**

(22) Filed: **Mar. 29, 2013**

(51) **LOC (10) Cl.** **23-01**

(52) **U.S. Cl.**
USPC **D23/254**

(58) **Field of Classification Search**
USPC D23/238–243, 249–250, 252, 254;
4/675–678; 137/359, 801;
D8/350–353; 16/402

See application file for complete search history.

(56) **References Cited**

U.S. PATENT DOCUMENTS

D648,833 S * 11/2011 Obara et al. D23/252
D649,226 S * 11/2011 Obara et al. D23/252

* cited by examiner

Primary Examiner — Robert Delehanty

(74) *Attorney, Agent, or Firm* — Banner & Witcoff, Ltd.

(57) **CLAIM**

The ornamental design for a handle for shower, as shown and described.

DESCRIPTION

FIG. 1 is a perspective view of front, top and right side of a handle for shower showing our new design;
FIG. 2 is a front view thereof;
FIG. 3 is a rear view thereof;
FIG. 4 is a right side view thereof; the left side view being a mirror image of the right side;
FIG. 5 is a top view thereof; and,
FIG. 6 is a bottom view thereof.
The broken lines shown are included for the purpose of illustrating the unclaimed portions of a handle for shower and form no part of the claimed design.

1 Claim, 5 Drawing Sheets

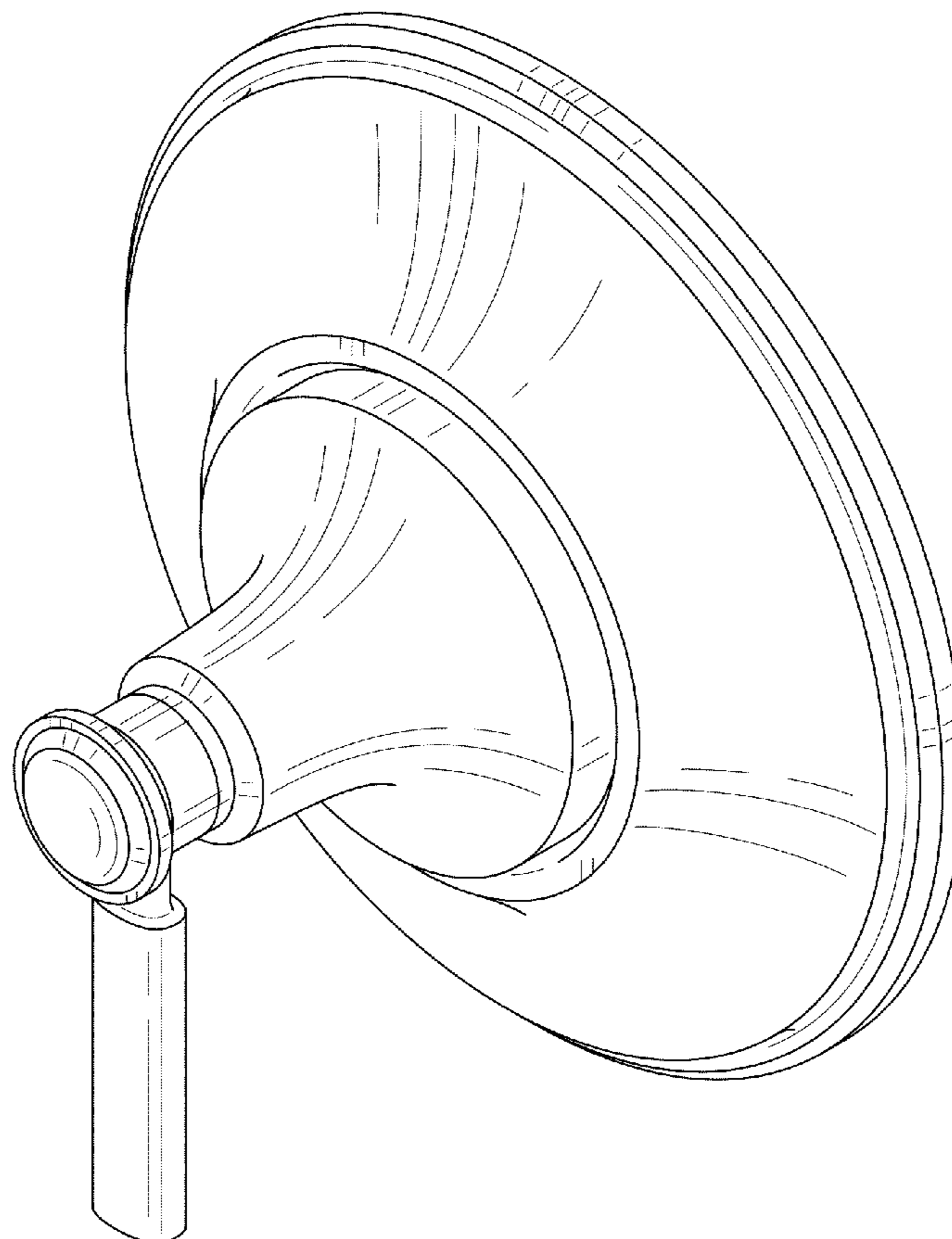


Fig. 1

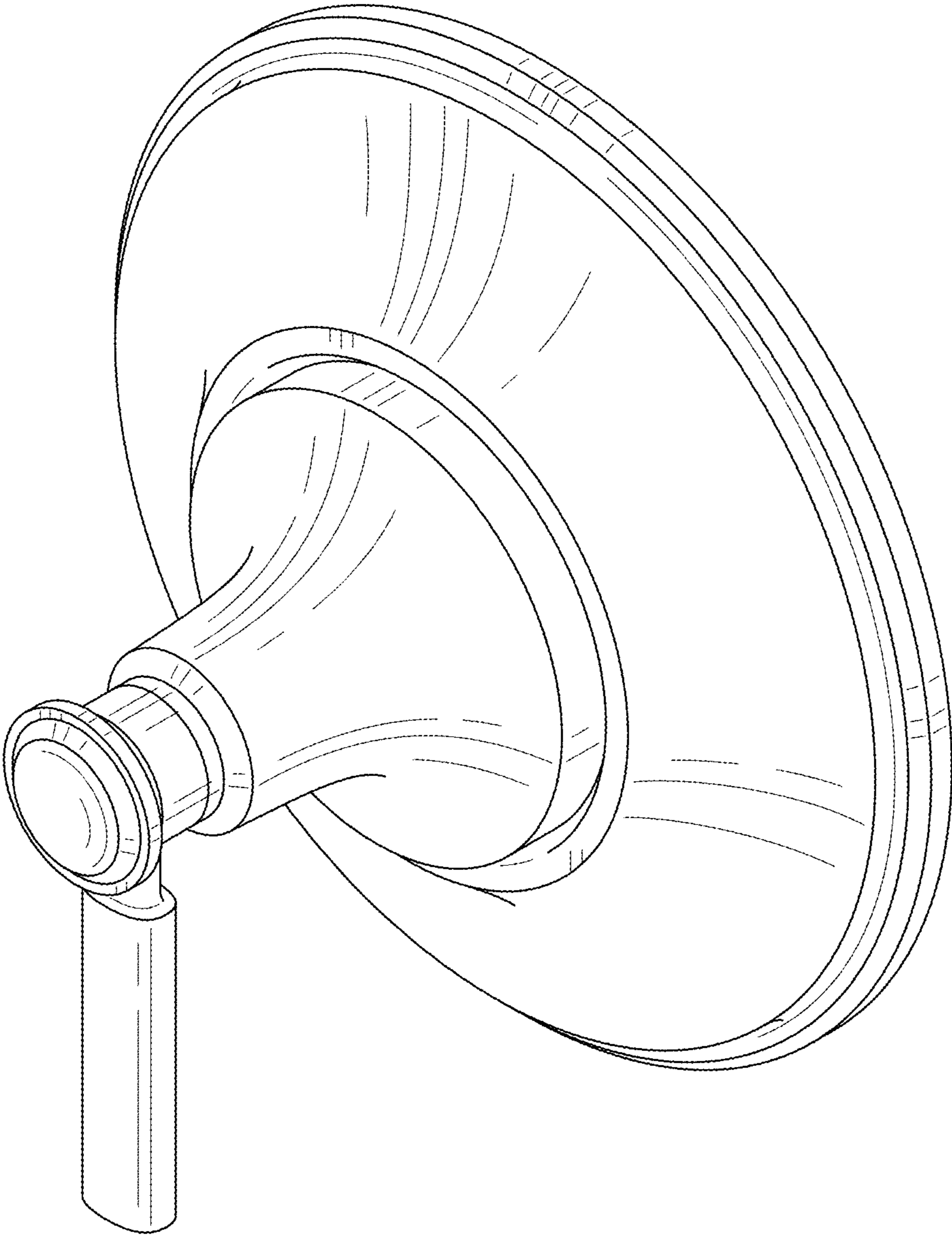


Fig. 2

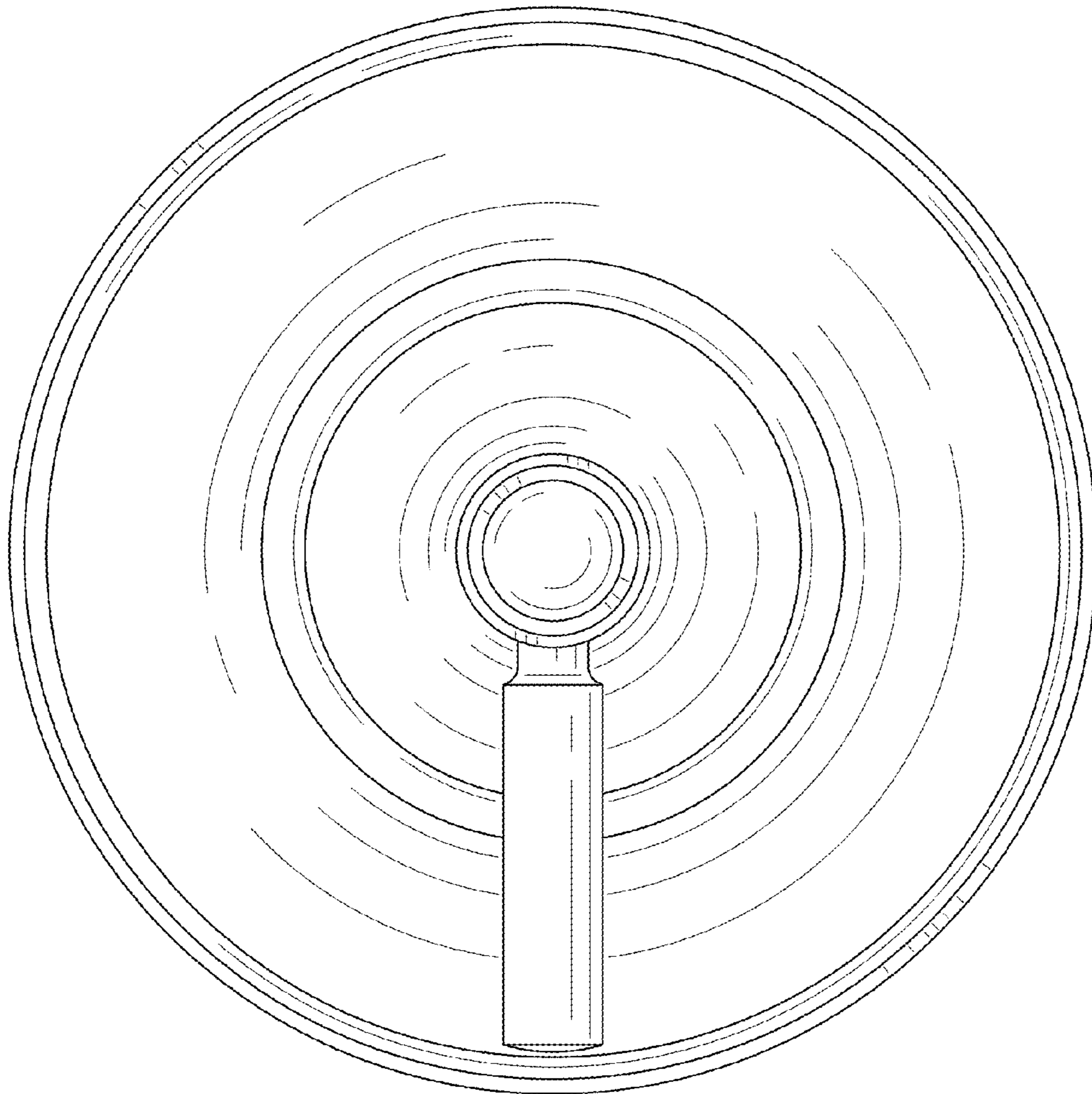


Fig. 3

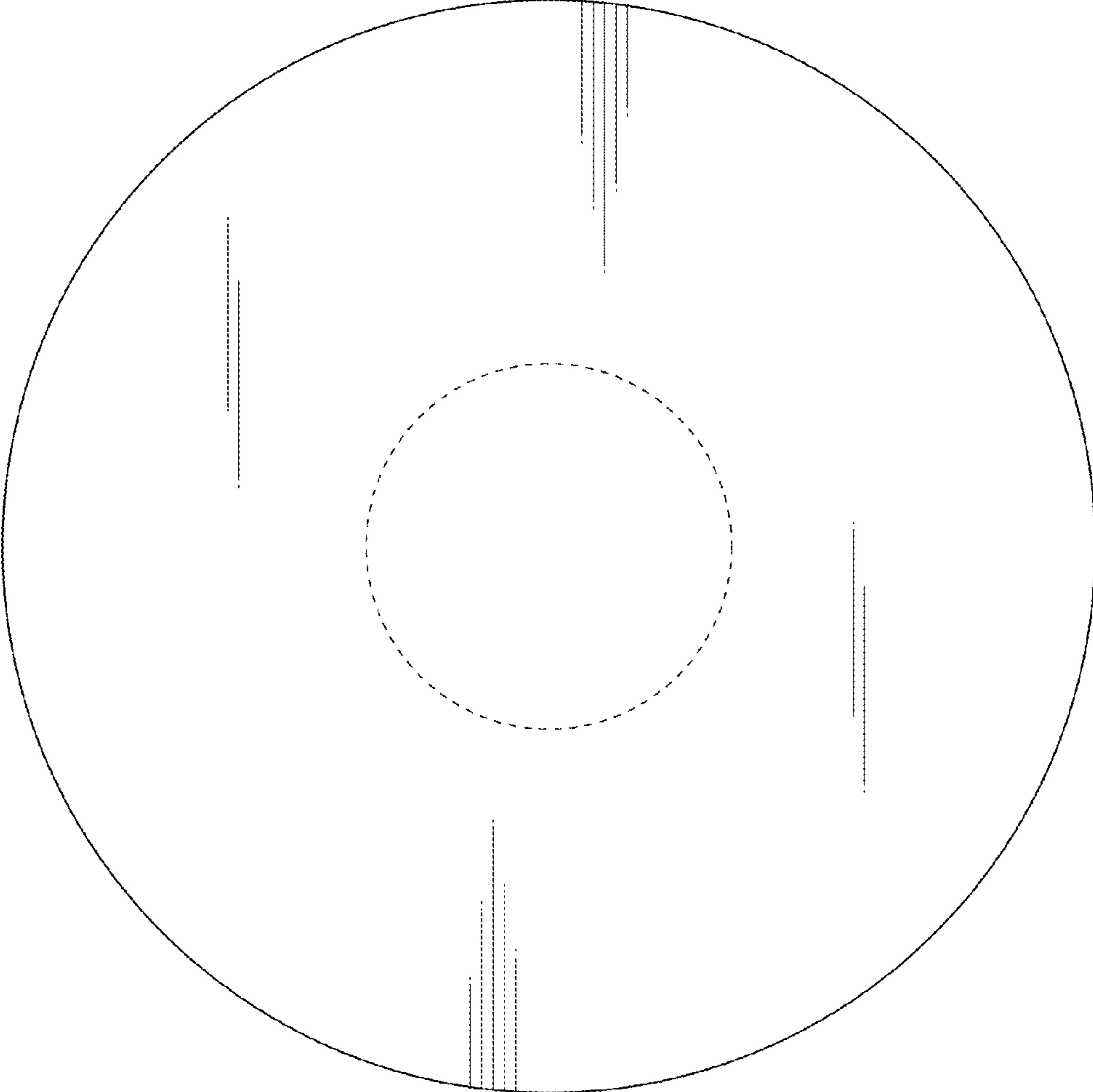


Fig. 4

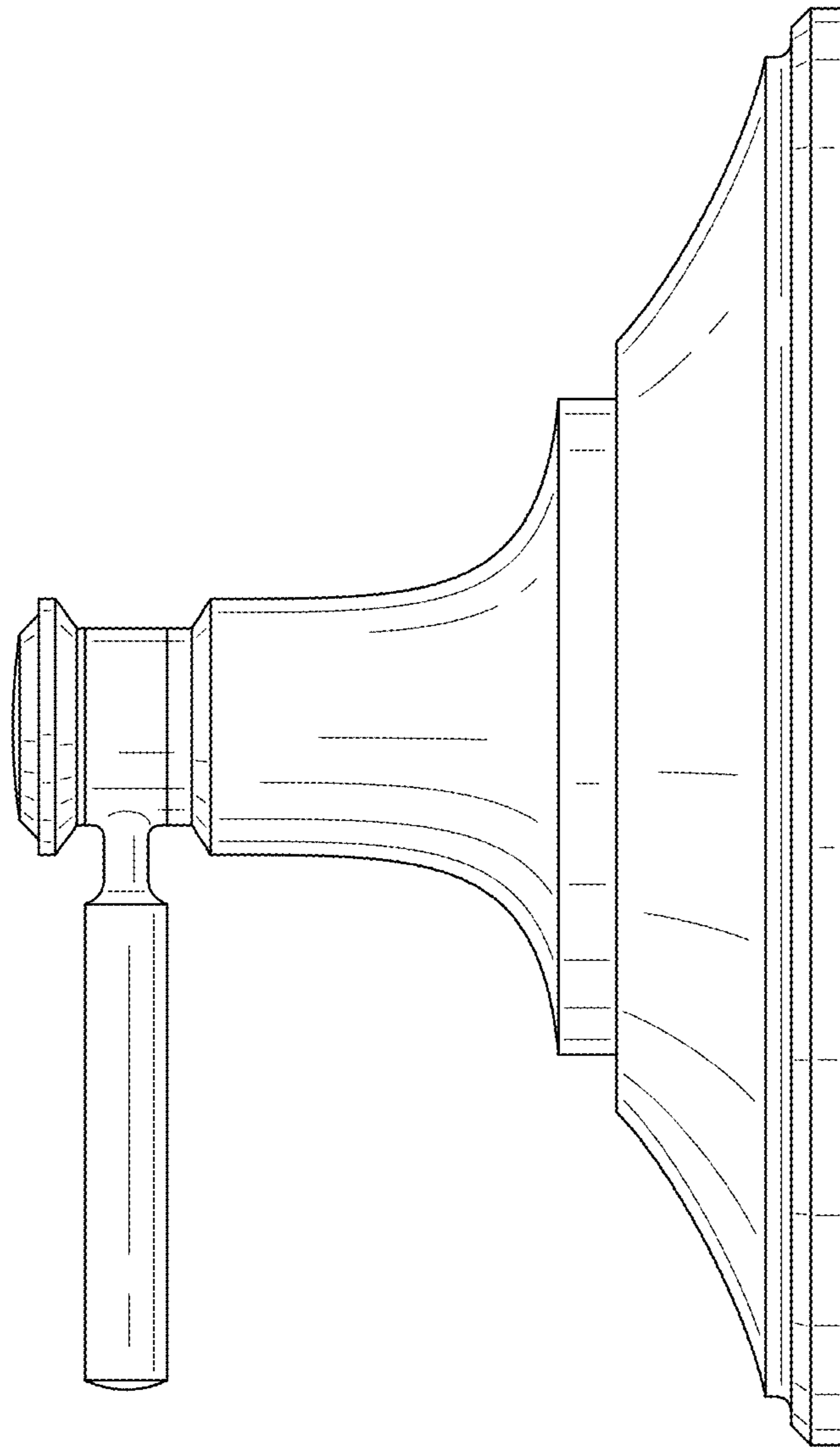


Fig. 5

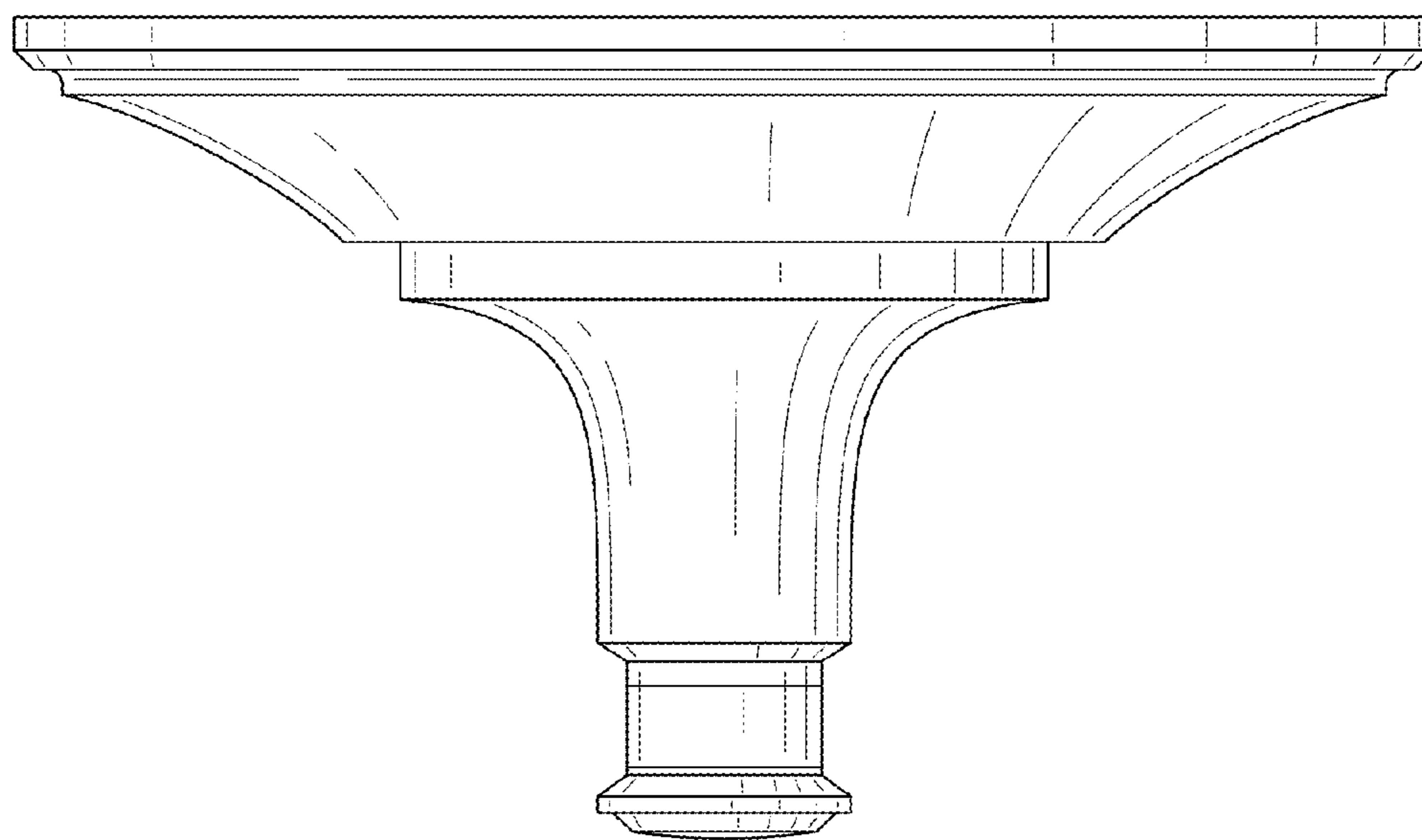


Fig. 6

