



US00D700955S

(12) **United States Design Patent**
Schoenherr et al.

(10) **Patent No.:** **US D700,955 S**
(45) **Date of Patent:** **** Mar. 11, 2014**

(54) **FAUCET**

D644,718 S * 9/2011 Flowers et al. D23/238
D667,533 S * 9/2012 Lammel et al. D23/238
D689,987 S * 9/2013 Kington et al. D23/238

(71) Applicant: **Hansgrohe SE**, Schiltach (DE)

(72) Inventors: **Tom Schoenherr**, Stuttgart (DE);
Andreas Diefenbach,
Ludwigsburg-Oßweil (DE)

(73) Assignee: **Hansgrohe SE**, Schiltach (DE)

(**) Term: **14 Years**

(21) Appl. No.: **29/466,216**

(22) Filed: **Sep. 5, 2013**

(30) **Foreign Application Priority Data**

Mar. 6, 2013 (EM) 001363311-0001

(51) **LOC (10) Cl.** **23-01**

(52) **U.S. Cl.**
USPC **D23/238**

(58) **Field of Classification Search**
USPC D23/238–243, 250, 252, 255;
4/675–678; 137/801
See application file for complete search history.

(56) **References Cited**

U.S. PATENT DOCUMENTS

D531,699 S 11/2006 Haug et al.
D585,524 S 1/2009 Schoenherr et al.

FOREIGN PATENT DOCUMENTS

EM 000455043-0001 12/2005
EM 001206866-0001 4/2009
EM 001247274-0001 11/2010
EM 001247274-0002 11/2010
EM 001336481-0087 7/2012
EM 001336481-0102 7/2012

* cited by examiner

Primary Examiner — Robert Delehanty

(74) *Attorney, Agent, or Firm* — Lora J. Graentzdoerffer

(57) **CLAIM**

The ornamental design for a faucet, as shown and described.

DESCRIPTION

FIG. 1 is a perspective view of a faucet showing our design;
FIG. 2 is a front elevational view thereof;
FIG. 3 is a rear elevational view thereof;
FIG. 4 is a left side elevational view thereof;
FIG. 5 is a right side elevational view thereof;
FIG. 6 is a top plan view thereof; and,
FIG. 7 is a bottom plan view thereof.

The broken-line disclosure in the views represents portions of the article in which the claimed design is embodied, but which form no part of the claimed design.

1 Claim, 7 Drawing Sheets

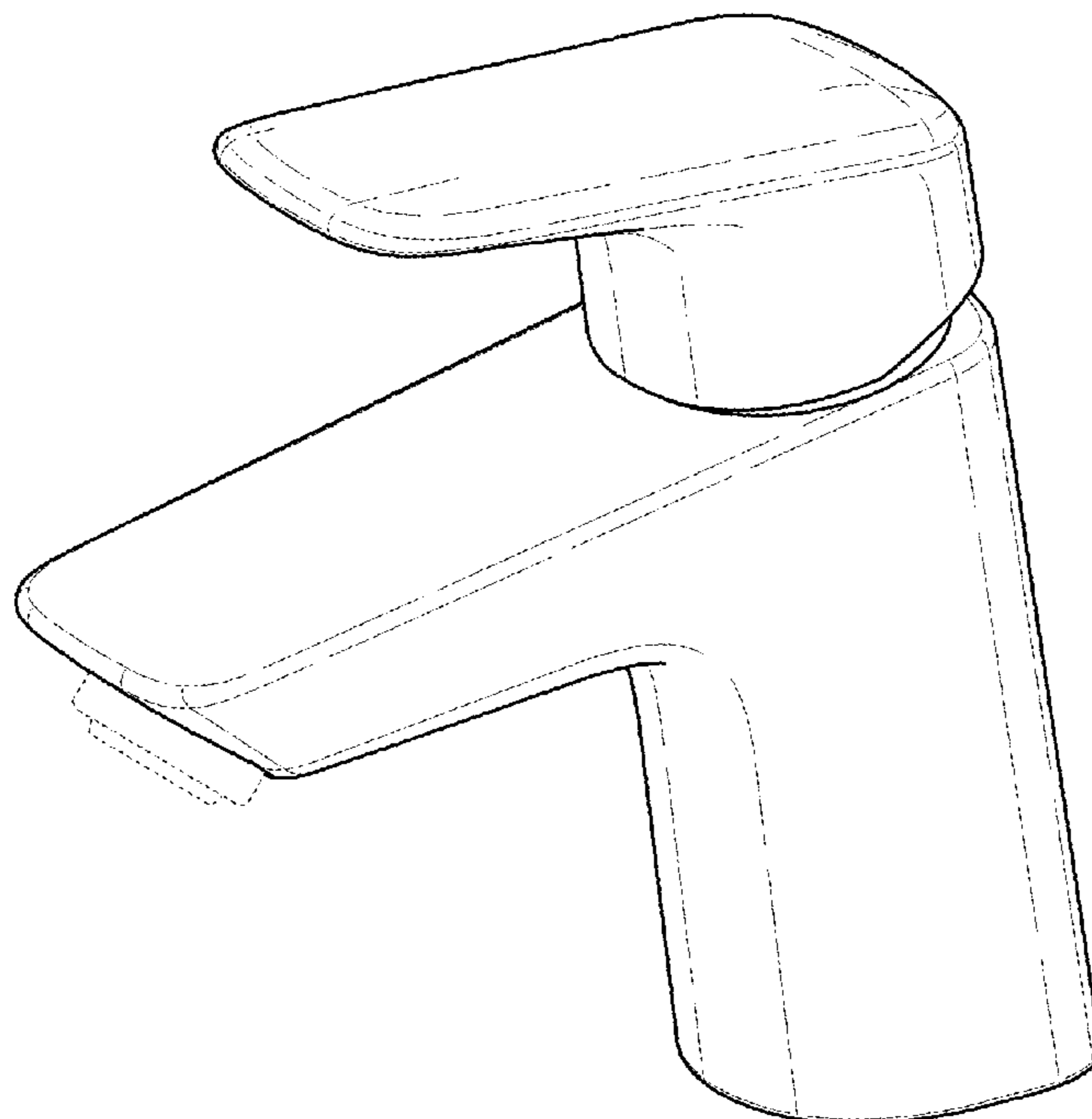


FIG. 1

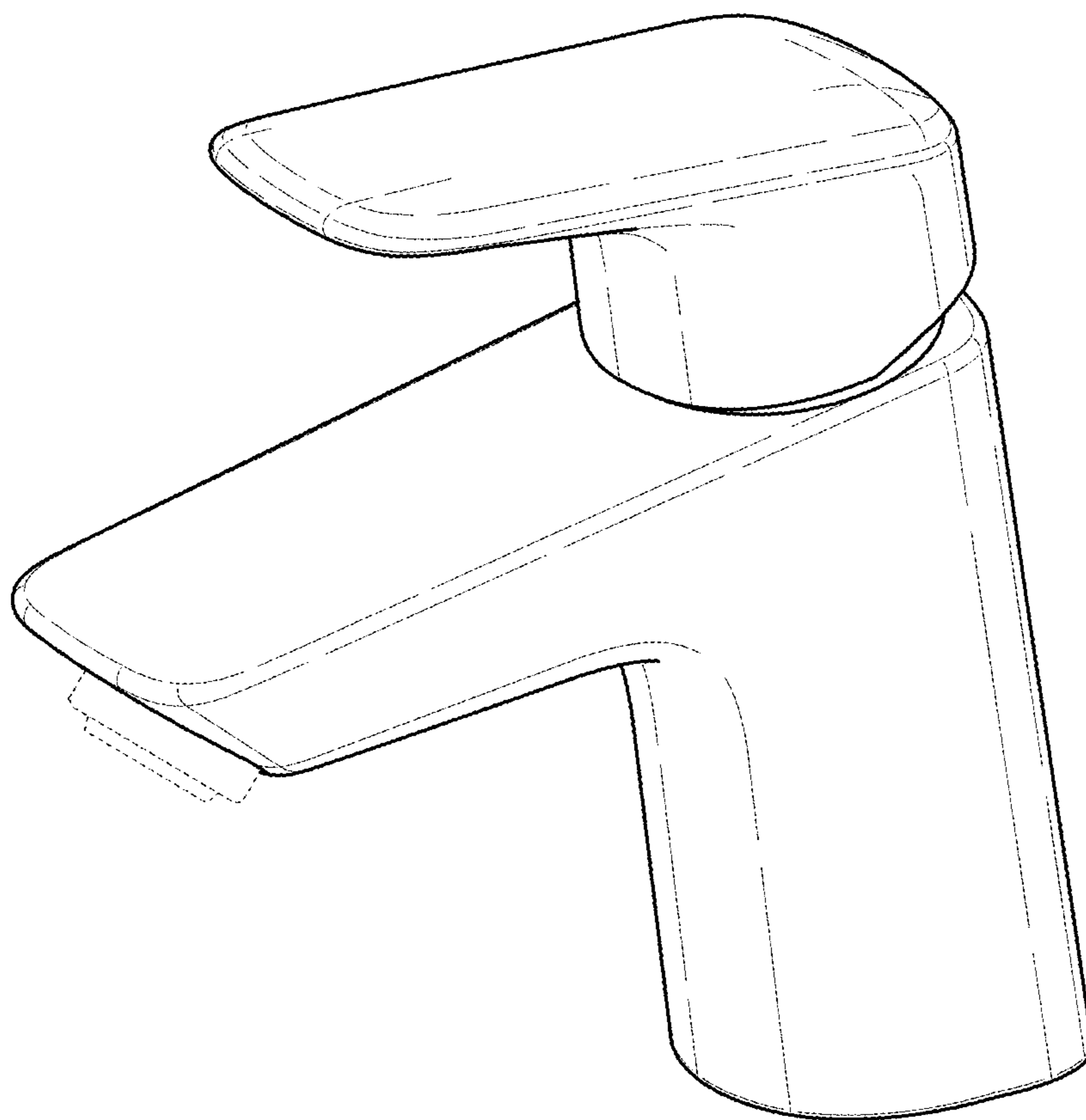


FIG. 2

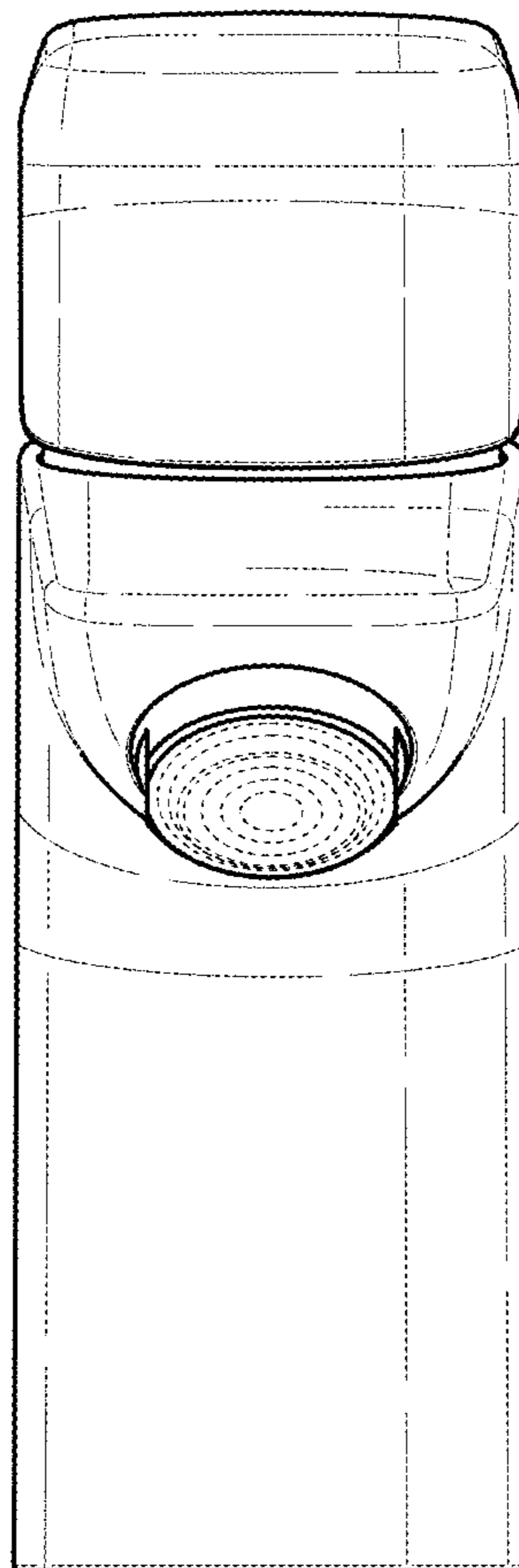


FIG. 3

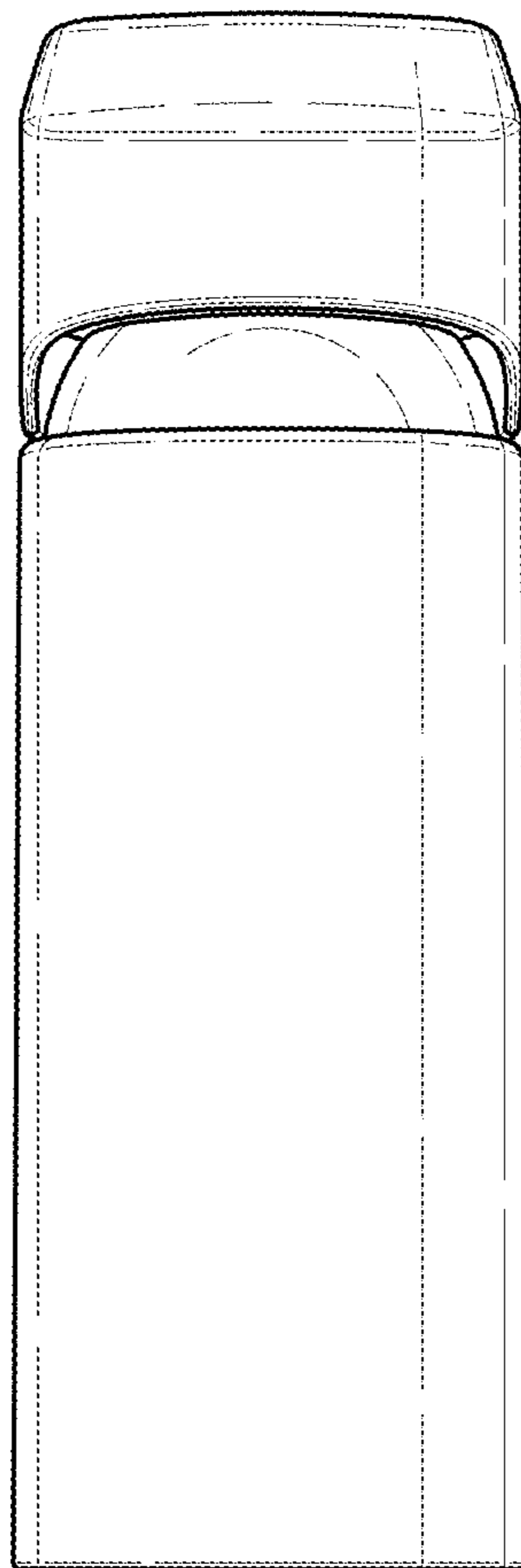


FIG. 4

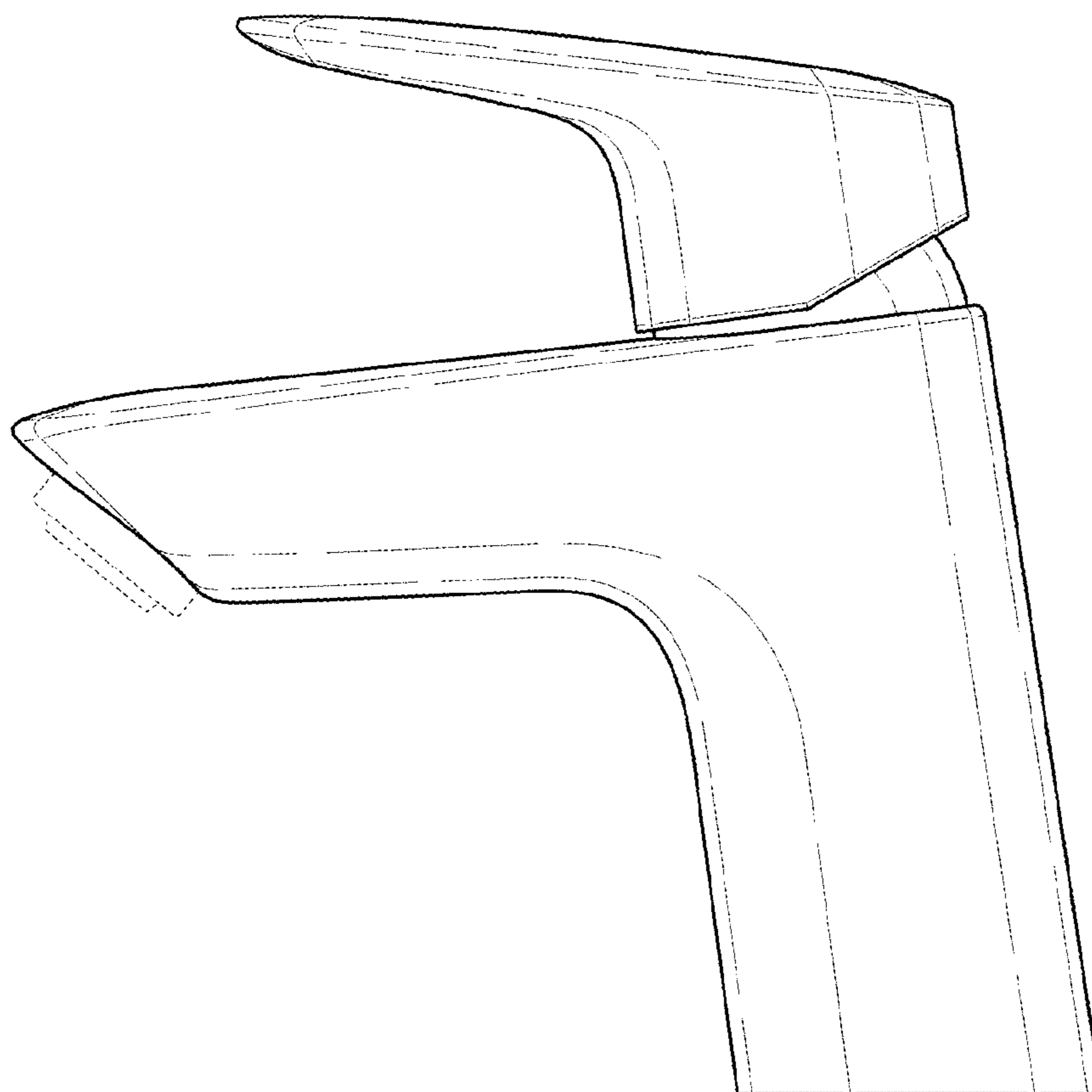


FIG. 5

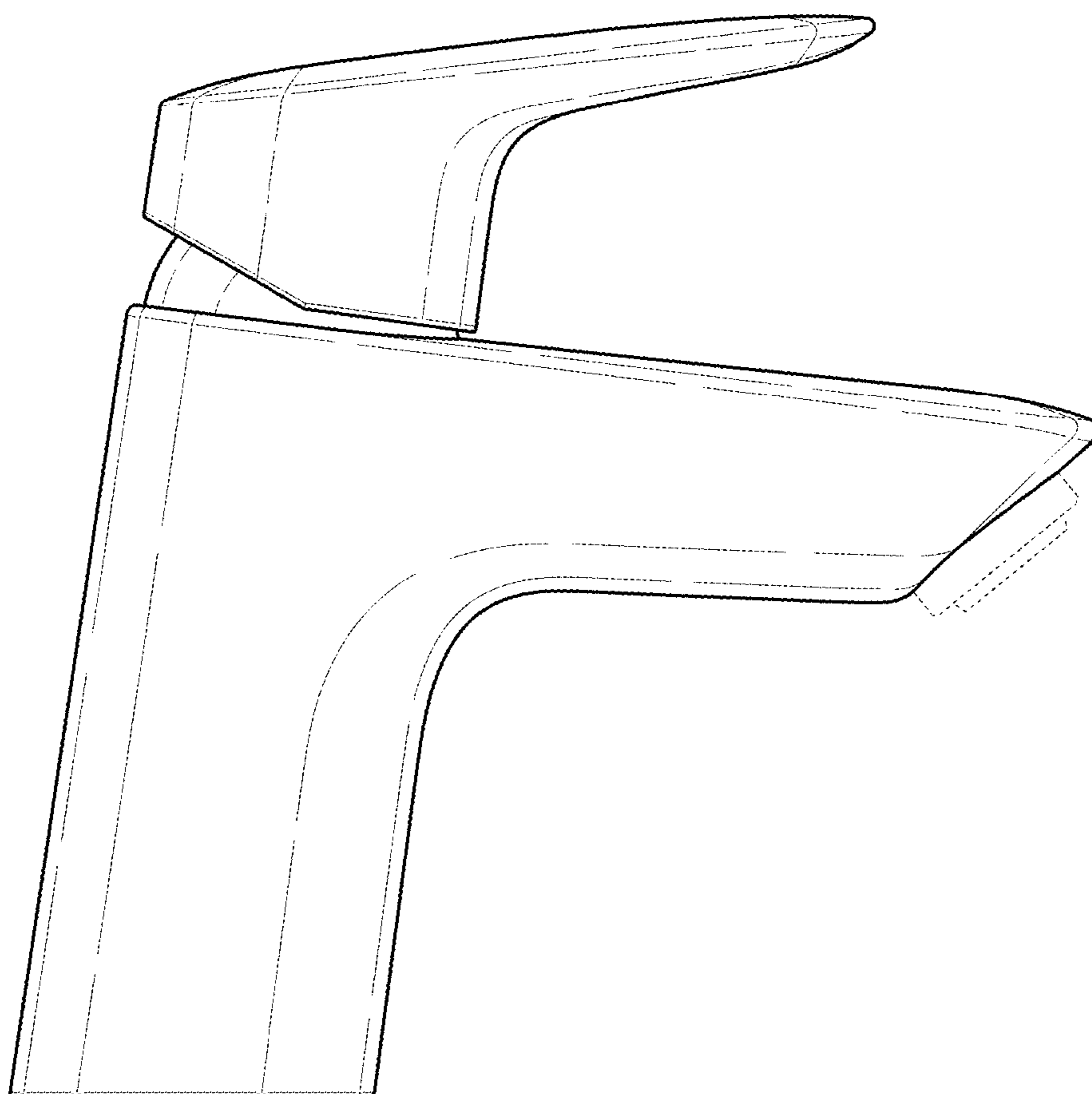


FIG. 6

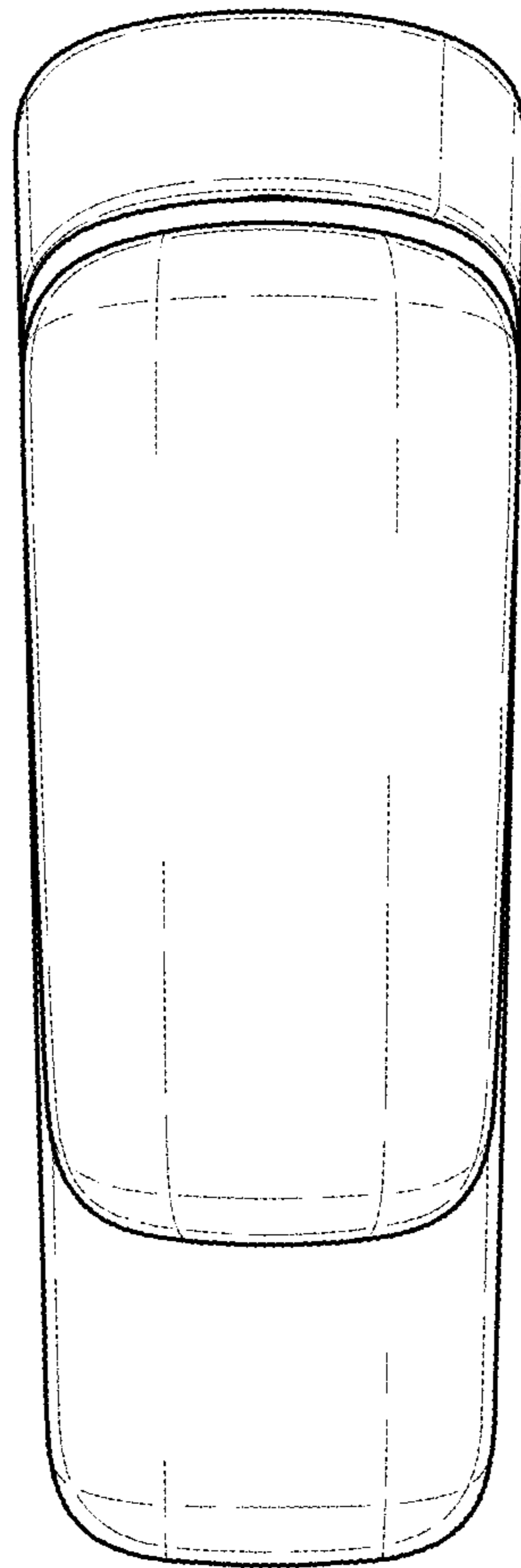


FIG. 7

