



US00D700952S

(12) **United States Design Patent**
Hua

(10) **Patent No.:** **US D700,952 S**

(45) **Date of Patent:** **** Mar. 11, 2014**

(54) **WATER BLASTER**

(71) Applicant: **Chi Kuo Hua**, Kowloon (HK)

(72) Inventor: **Chi Kuo Hua**, Kowloon (HK)

(73) Assignee: **Chi Kuo Hua**, Kowloon (HK)

(**) Term: **14 Years**

(21) Appl. No.: **29/446,757**

(22) Filed: **Feb. 27, 2013**

(51) **LOC (10) Cl.** **23-01**

(52) **U.S. Cl.**
USPC **D23/223**

(58) **Field of Classification Search**
USPC D23/223, 213, 226; 239/526, 532, 459
See application file for complete search history.

(56) **References Cited**

U.S. PATENT DOCUMENTS

D327,943	S *	7/1992	Tsai	D23/213
D351,015	S *	9/1994	Caceres et al.	D23/213
D355,284	S *	2/1995	Stump	D32/25
5,669,558	A *	9/1997	Ichel	239/311
D459,434	S *	6/2002	Fauquet	D23/213
6,554,213	B2 *	4/2003	Chen	239/394
6,964,380	B1 *	11/2005	Chen	239/315

D558,938	S *	1/2008	Ickes	D32/15
7,677,476	B2 *	3/2010	Burdsall et al.	239/532
D628,271	S *	11/2010	Carpanese	D23/213
7,946,511	B2 *	5/2011	Ballu	239/375
D641,830	S *	7/2011	Alexander et al.	D23/213
D644,714	S *	9/2011	Mauchle et al.	D23/213

* cited by examiner

Primary Examiner — Robin V Webster

(74) *Attorney, Agent, or Firm* — D'Ambrosio & Menon, PLLC; Usha Menon

(57) **CLAIM**

The ornamental design for a water blaster, as shown and described.

DESCRIPTION

FIG. 1 is a reduced scale perspective view of a water blaster showing of my novel and non-obvious design.

FIG. 2 is a front elevational view thereof.

FIG. 3 is a rear elevational view thereof.

FIG. 4 is an elevational view of one side thereof.

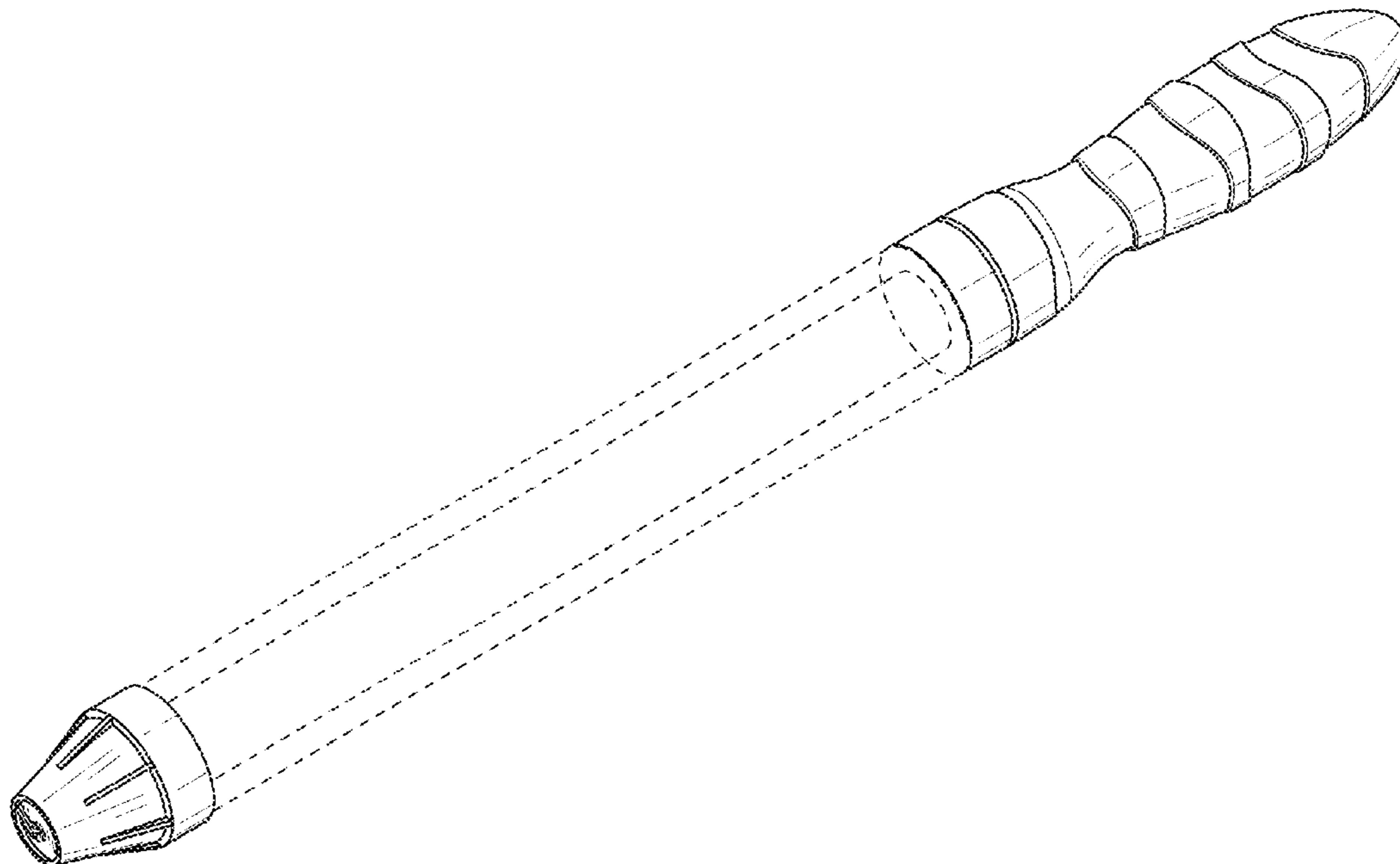
FIG. 5 is an elevational view of another side thereof.

FIG. 6 is a top plan view thereof; and,

FIG. 7 is a bottom plan view thereof.

The broken lines shown around the borders of and internally within the FIGURES are merely illustrative purpose only and form no part of the claimed design.

1 Claim, 2 Drawing Sheets



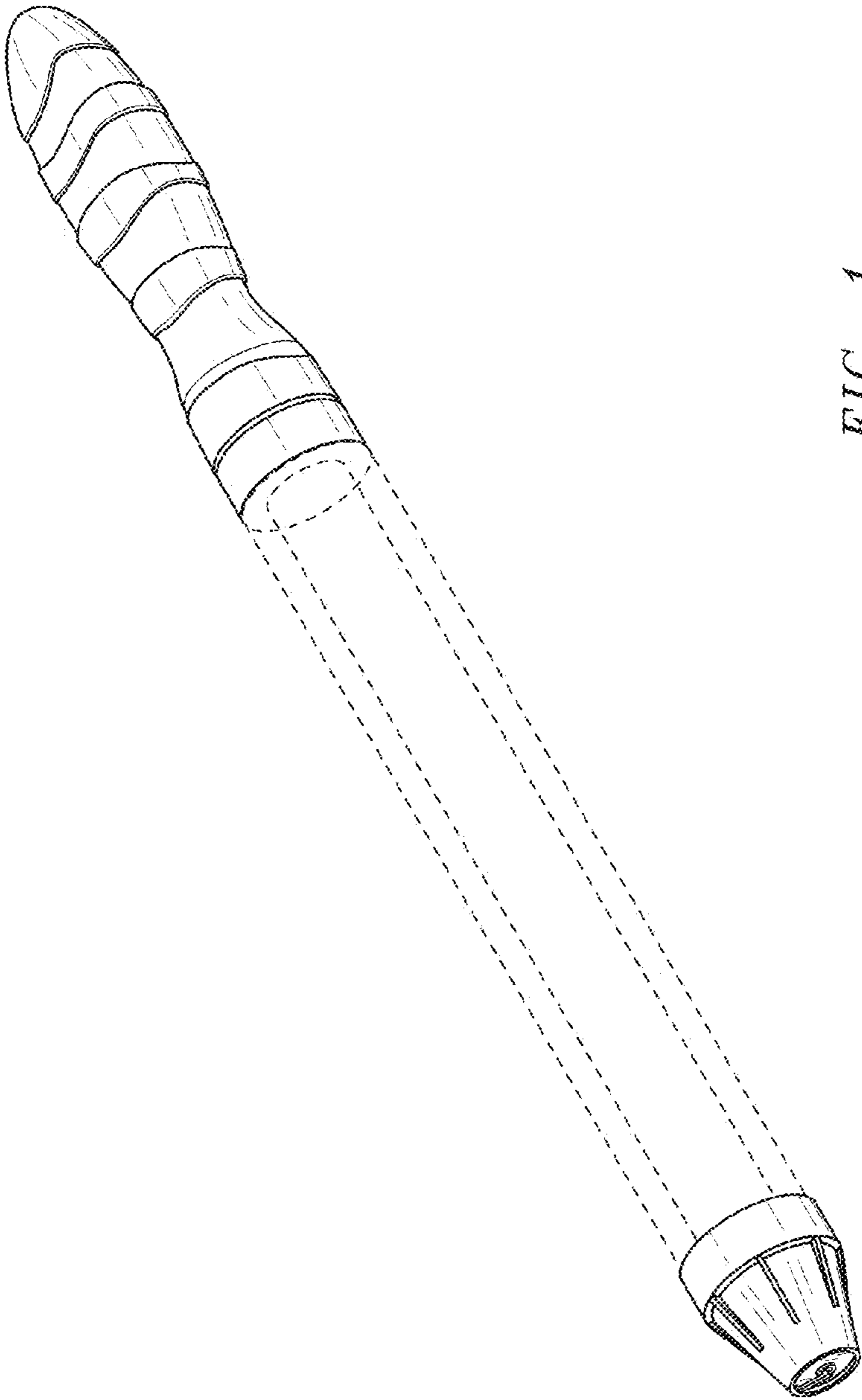


FIG. 1

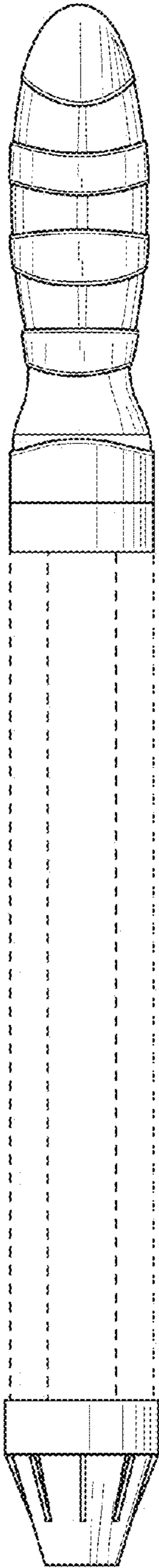


FIG. 2

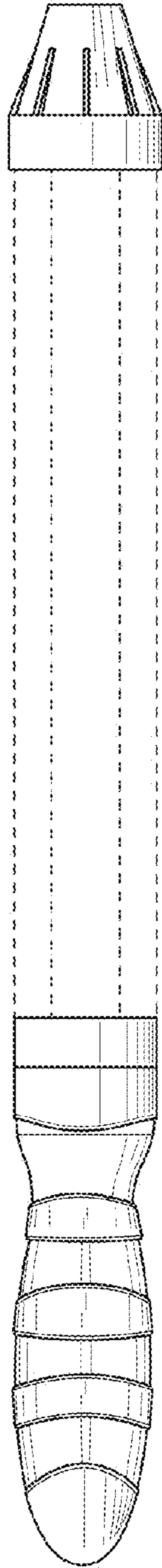


FIG. 3

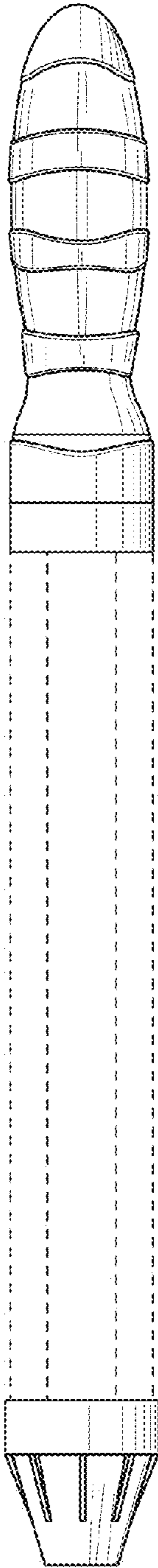


FIG. 4

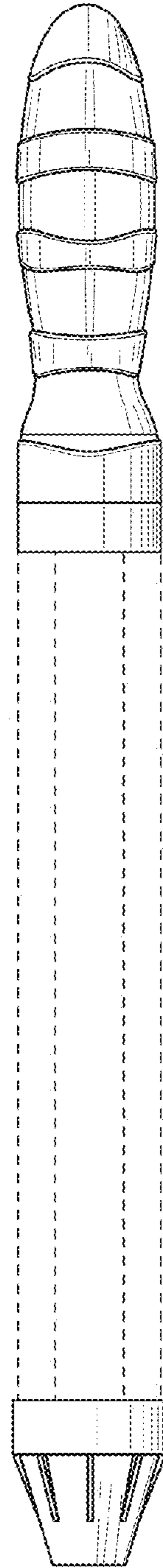


FIG. 5

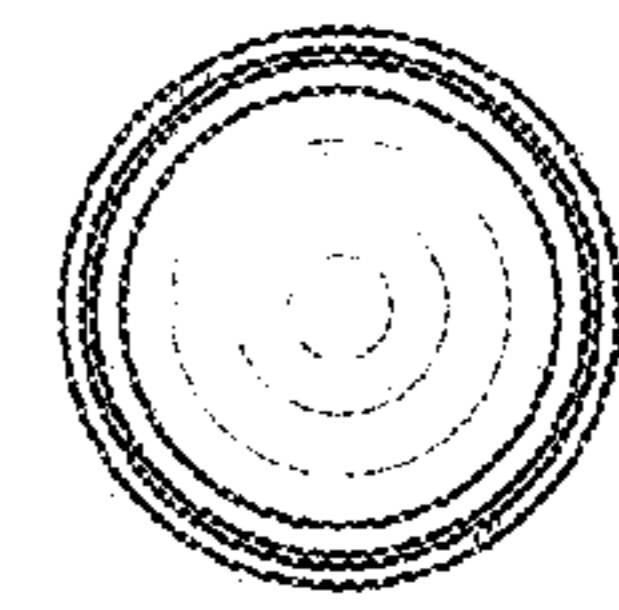


FIG. 6

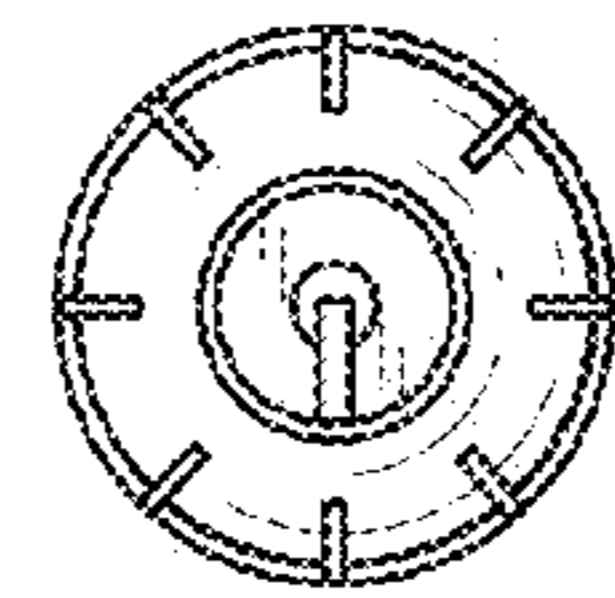


FIG. 7