



US00D700946S

(12) **United States Design Patent**
Marz

(10) **Patent No.:** **US D700,946 S**
(45) **Date of Patent:** **** Mar. 11, 2014**

(54) **HAND-HELD CLOTH INSECT SWATTER**

2,931,126 A * 4/1960 Schuler 43/137
D415,814 S * 10/1999 Re D22/124

(71) Applicant: **Keith Marz**, Sherman Oaks, CA (US)

* cited by examiner

(72) Inventor: **Keith Marz**, Sherman Oaks, CA (US)

Primary Examiner — Catheri Oliver-Garcia

(**) Term: **14 Years**

(74) *Attorney, Agent, or Firm* — Albert O. Cota

(21) Appl. No.: **29/453,528**

(57) **CLAIM**

The ornamental design for a hand-held cloth insect swatter, as shown and described.

(22) Filed: **Apr. 30, 2013**

DESCRIPTION

(51) **LOC (10) Cl.** **22-06**

(52) **U.S. Cl.**
USPC **D22/124**

(58) **Field of Classification Search**
USPC D22/124; D3/1-4; D32/43; 416/70 A,
416/74-76; 43/137
See application file for complete search history.

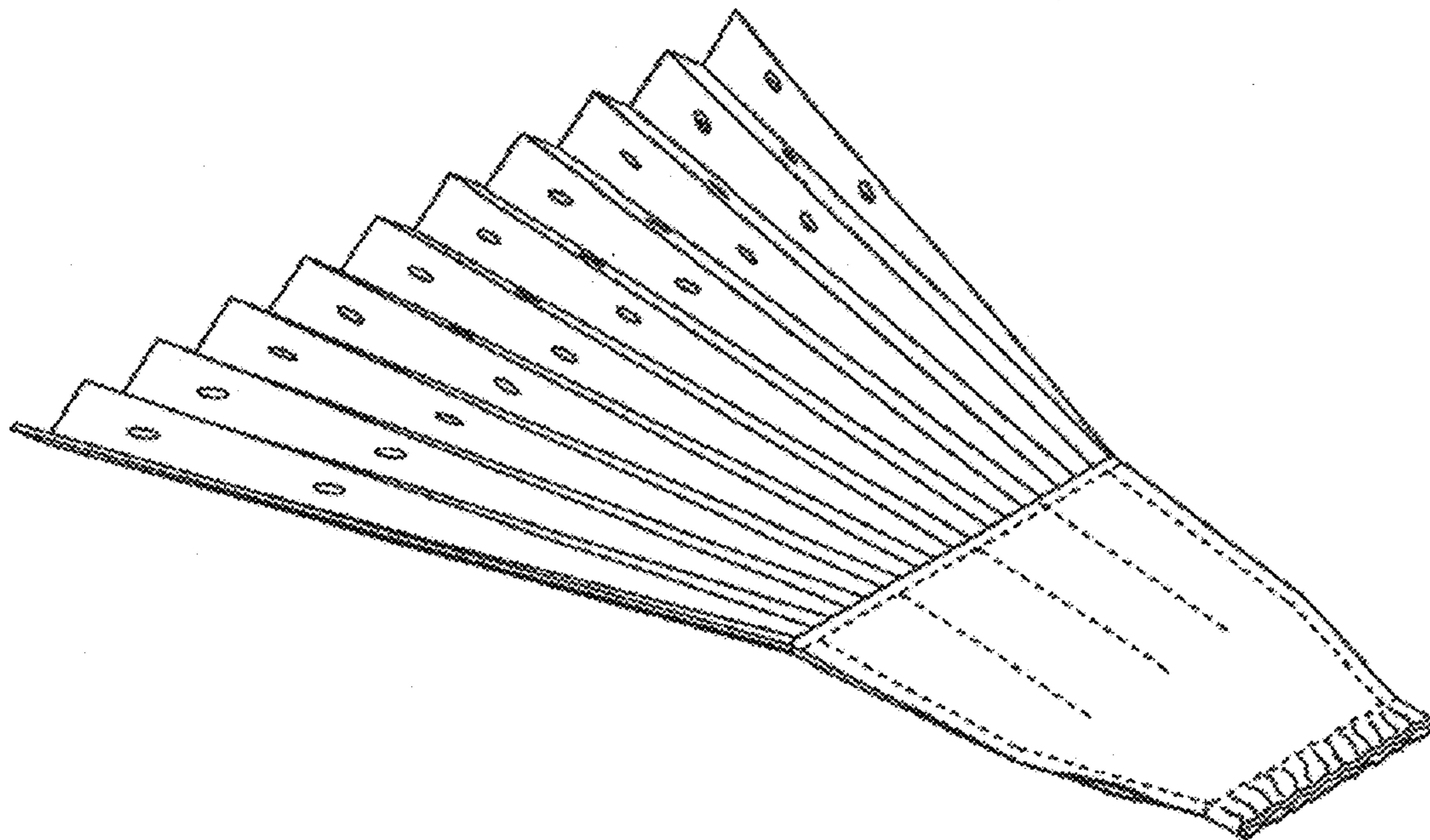
FIG. 1 is an orthographic top view of a hand-held cloth insect swatter showing my new design;
FIG. 2 is a top plan view thereof;
FIG. 3 is a bottom plan view thereof;
FIG. 4 is a rear elevational view thereof;
FIG. 5 is a front elevational view thereof;
FIG. 6 is a left-side elevational view thereof, the right side being a mirror image; and,
FIG. 7 is an orthographic view showing a person's hand prior to being inserted into the hand-held cloth insect swatter. The hand, structure and insect are shown in broken lines for illustrative purposes only and form no part of the claimed design.

(56) **References Cited**

U.S. PATENT DOCUMENTS

257,058 A * 4/1882 North 416/70 R
D173,174 S * 10/1954 Shafter D22/124

1 Claim, 5 Drawing Sheets



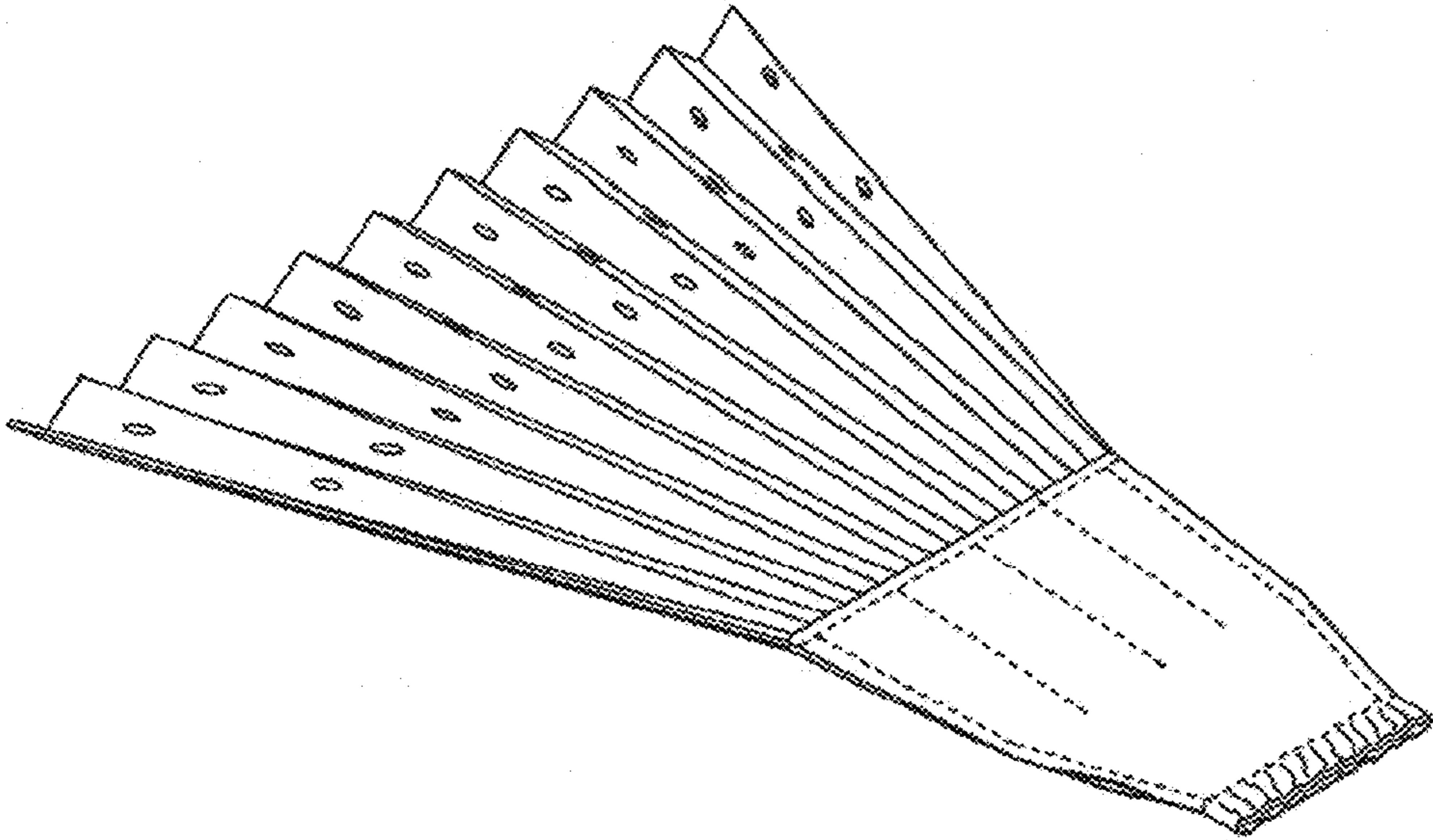


Fig. 1

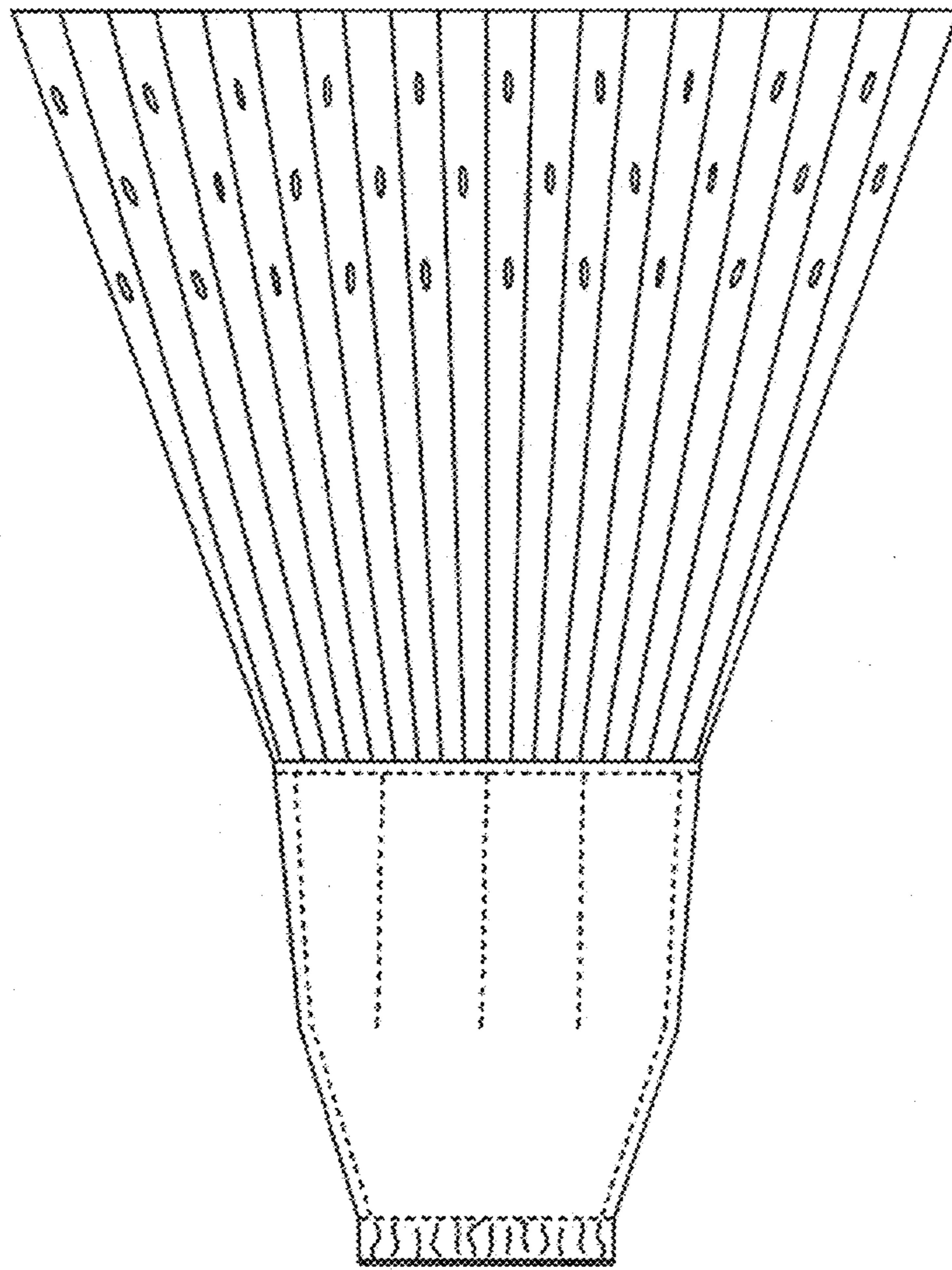


Fig. 2

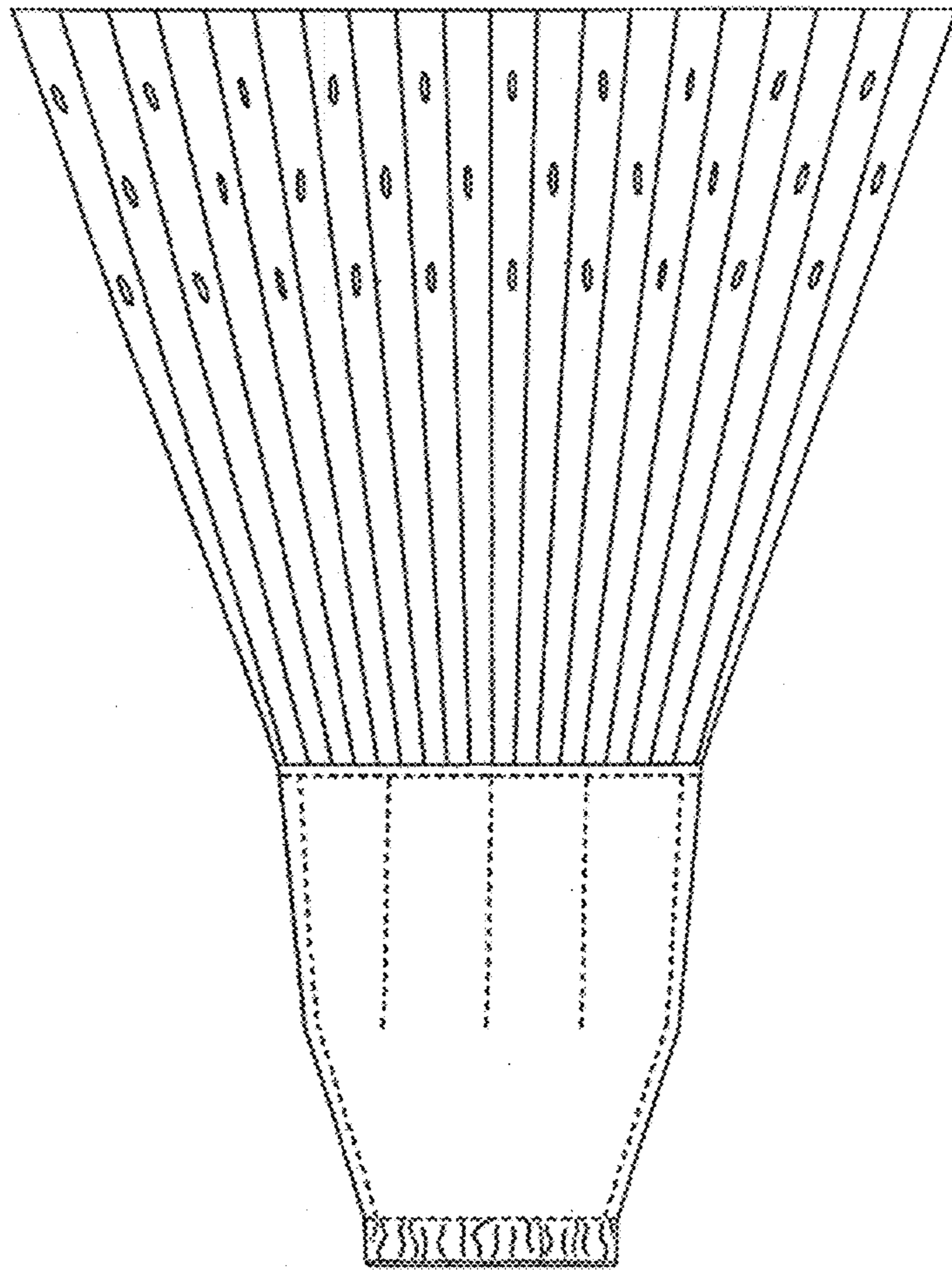


Fig. 3



Fig. 4



Fig. 5

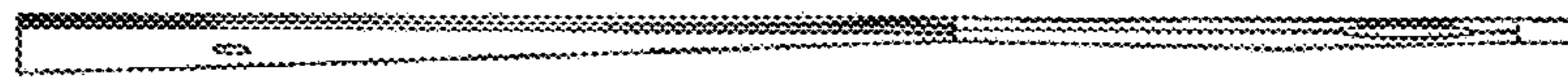


Fig. 6

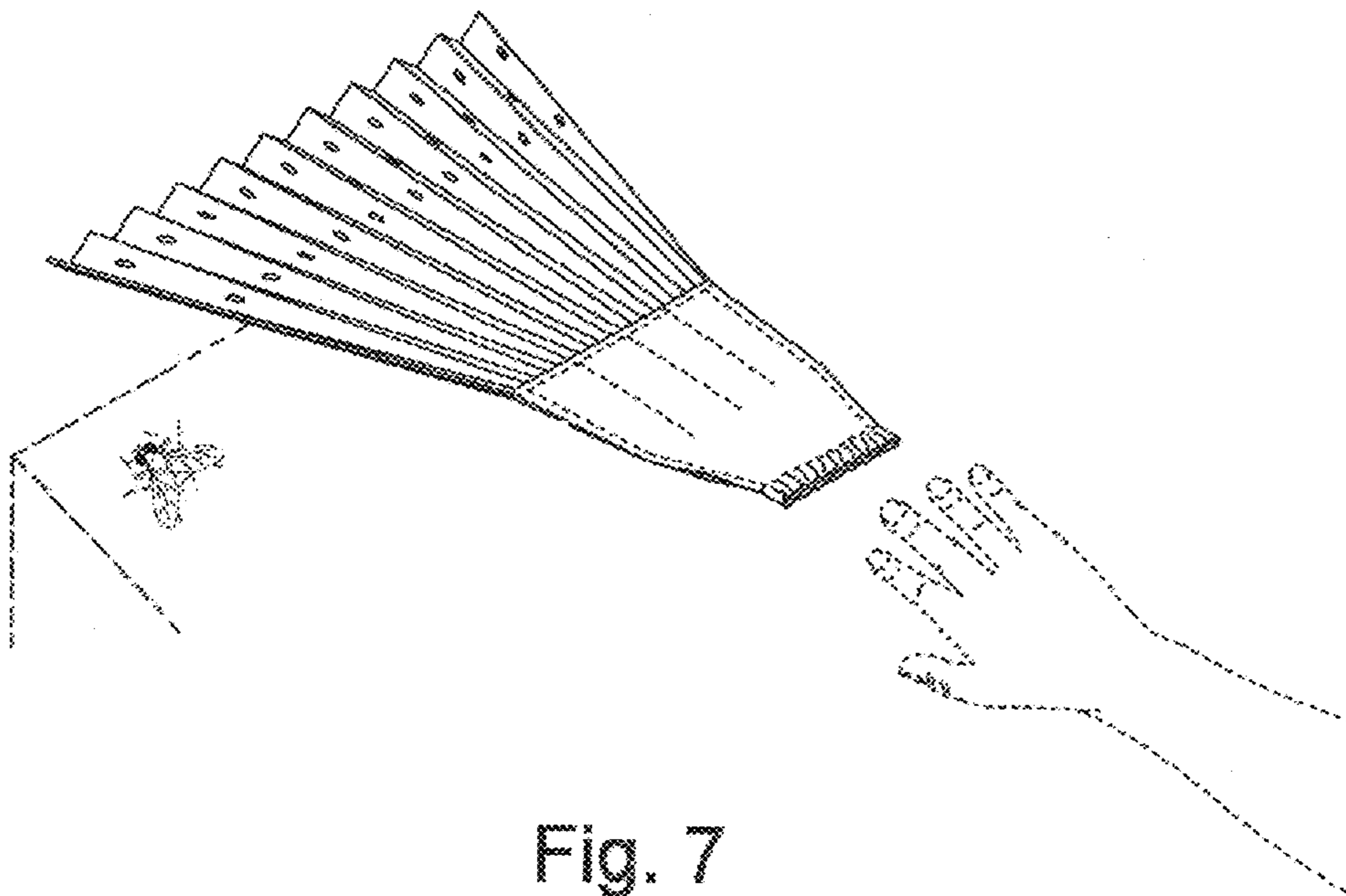


Fig. 7