



US00D700943S

(12) **United States Design Patent**
Cottle

(10) **Patent No.:** **US D700,943 S**
(45) **Date of Patent:** **** Mar. 11, 2014**

(54) **RIFLE STOCK**

(71) Applicant: **Slide Fire Solutions LP**, Moran, TX (US)

(72) Inventor: **Jeremiah Cottle**, Moran, TX (US)

(73) Assignee: **Slide Fire Solutions, LP**, Moran, TX (US)

(**) Term: **14 Years**

(21) Appl. No.: **29/433,596**

(22) Filed: **Oct. 2, 2012**

(51) **LOC (10) Cl.** **22-01**

(52) **U.S. Cl.**
USPC **D22/108**

(58) **Field of Classification Search**
USPC D22/100, 101, 103, 104, 108, 199;
42/51, 90, 71.01, 71.02, 73, 75.01,
42/75.02; D21/572-573; 89/40.06, 37.04,
89/33.04

See application file for complete search history.

(56) **References Cited**

U.S. PATENT DOCUMENTS

554,068 A	2/1896	Kimball
981,210 A	1/1911	Menteyne et al.
1,587,009 A	1/1926	Bobbe
2,220,663 A	11/1940	Rossmannith
2,361,985 A	11/1944	Birkigt
2,465,587 A	3/1949	Sampson et al.
3,031,786 A	5/1962	Robert
3,785,243 A	1/1974	Christakos
4,002,101 A	1/1977	Tellie
4,553,468 A	11/1985	Castellano et al.
4,787,288 A	11/1988	Miller
4,803,910 A	2/1989	Troncoso
5,074,190 A	12/1991	Troncoso

5,092,052 A	3/1992	Godsey
5,780,762 A	7/1998	Kobayashi
5,852,891 A	12/1998	Onishi et al.
5,979,098 A	11/1999	Griggs
6,101,918 A	8/2000	Akins
6,164,002 A	12/2000	Troncoso
6,807,763 B1	10/2004	Leung
6,966,138 B1	11/2005	Deckard
7,225,574 B2	6/2007	Crandall et al.
7,273,002 B1	9/2007	Rogers

(Continued)

OTHER PUBLICATIONS

Michael Foeller II letter from US US Department of Justice, Bureau of Alcohol, Tobacco, Firearms and Explosives, Jun. 18, 2008.

(Continued)

Primary Examiner — Michael A Pratt
(74) *Attorney, Agent, or Firm* — Endurance Law Group, PLC

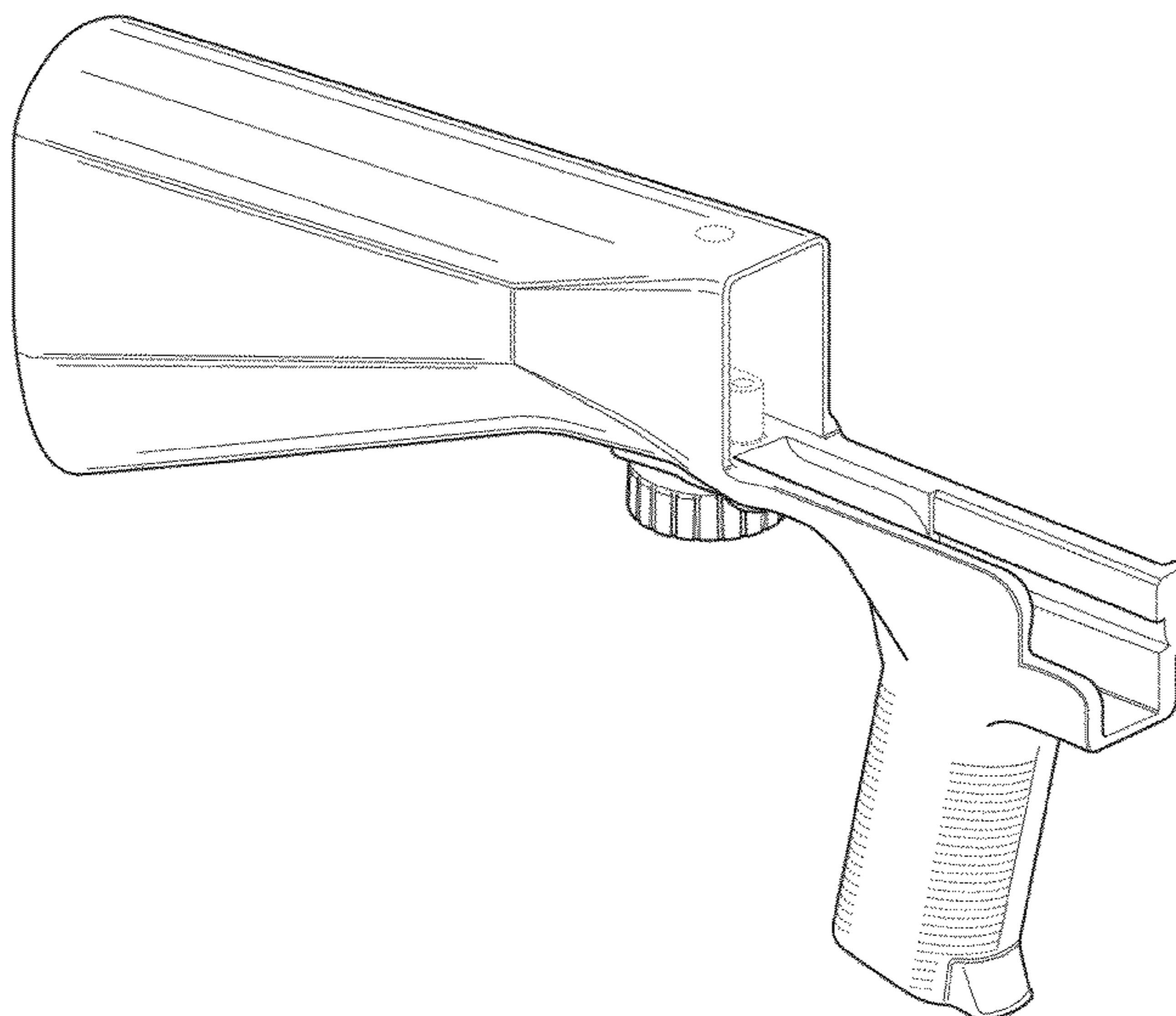
(57) **CLAIM**

I claim the ornamental design for a rifle stock, as shown and described.

DESCRIPTION

FIG. 1 is perspective view of a rifle stock according to the present invention;
FIG. 2 is a right side view of the rifle stock;
FIG. 3 is a left side view of the rifle stock;
FIG. 4 is an end view looking at the butt end of the stock;
FIG. 5 is a front end view of the rifle stock;
FIG. 6 is a top view of the rifle stock; and,
FIG. 7 is a bottom view of the rifle stock.
The broken line showing of aspects of the rifle stock in FIGS. 1, 4, 5 and 6 is included for the purpose of illustrating environment and forms no part of the claimed design.

1 Claim, 5 Drawing Sheets



(56)

References Cited

U.S. PATENT DOCUMENTS

7,340,857	B1	3/2008	Bentley	
7,398,723	B1	7/2008	Blakely	
7,562,614	B2	7/2009	Polston	
7,596,900	B2	10/2009	Robinson et al.	
D645,110	S *	9/2011	Cook et al.	D22/108
8,051,593	B2	11/2011	Vesligaj	
8,127,658	B1 *	3/2012	Cottle	89/140
8,176,835	B1 *	5/2012	Cottle	89/140
8,356,542	B2 *	1/2013	Cottle et al.	89/140
8,371,208	B2 *	2/2013	Cottle	89/140
8,448,562	B2 *	5/2013	Cottle	89/140
8,474,169	B2 *	7/2013	Cottle et al.	42/73
2005/0183312	A1	8/2005	Speaks	
2006/0123683	A1	6/2006	Garrett et al.	
2009/0126249	A1 *	5/2009	Crommett	42/71.01
2010/0071246	A1	3/2010	Vesligaj	
2012/0042556	A1	2/2012	Vesligaj	

OTHER PUBLICATIONS

Michael Johnson letter from US Department of Justice, Bureau of Alcohol, Tobacco, Firearms and Explosives, Jun. 26, 2008.
 “[Archived Thread]—My Akins Accelerated 10/22 can kick your 10/22 ass . . .” Purported Internet discussion thread. Aug. 13-22, 2006. (Copyright); Relevant pages may include p. 3 of 5. [<http://www.ar15.com/forums/>].

“Akins Accelerator Decision v 2.0”; Purported internet discussion thread. Jan. 9-Jun. 30, 2007. [<http://thefiringline.com/forums/archive/index.php?t-234087.html>].

“Another neutered Akins accelerator FS”; Purported internet discussion thread. Jan. 19-30, 2009. [<http://1919a4.com/showthread.php?21872-Another-neutered-Akins-accelerator-FS>].

“ATF reverses decision . . .”; Purported internet discussion thread. Dec. 6-24, 2006. [<http://www.thehighroad.org/archive/index.php/t-240357.html>].

“Bill_Akins > albums > Private concepts”; Purported video posted to internet. Oct. 16, 2008. [<http://good-times.webshots.com/video/3011228380099763970axOjzH>].

“Just Wanted To Show Off My Bumpfiring Toy”; Purported internet discussion thread with embedded videos. Nov. 13, 2008-May 14, 2010; Relevant pages may include p. 1 of 2. [<http://forum.saiga-12.com/index.php?/topic/31610-just-wanted-to-show-off-my-bumpfiring-toy-p/>].

“More Thoughts on the Akins Accelerator”; Purported Internet discussion thread. May 29, 2008-Sep. 25, 2009. [http://armsandthelaw.com/archives/2008/05/atkins_accelera.php].

“Screw the ATF and 1022”; Purported internet discussion thread. Apr. 10-11, 2007. [<http://www.thehighroad.org/archive/index.php/t-268573.html>].

“Turn In Your Killer Springs Here”; Purported internet discussion thread. Jan. 9-10, 2007. [<http://www.thehighroad.org/archive/index.php/t-246764.html>].

* cited by examiner

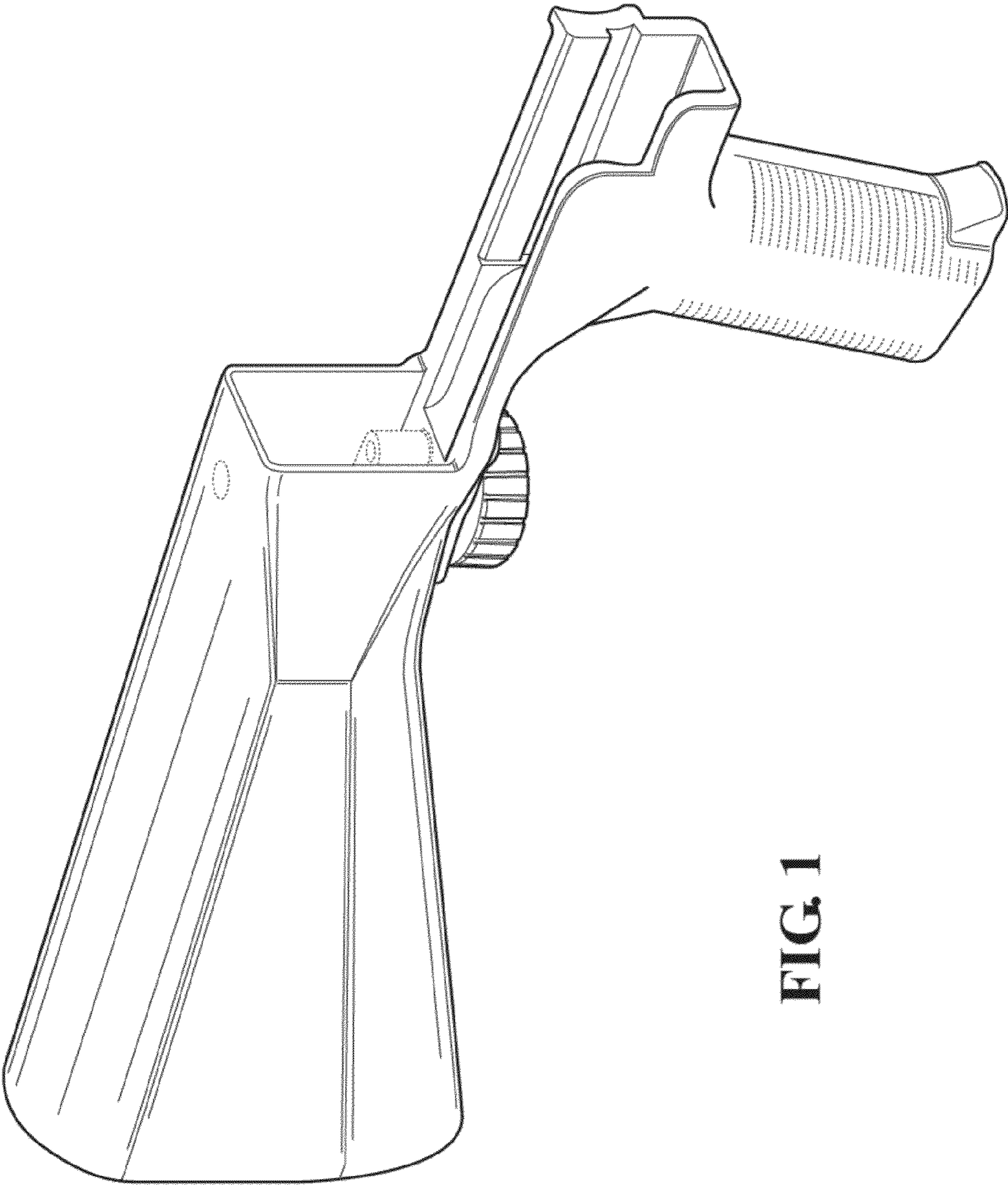


FIG. 1

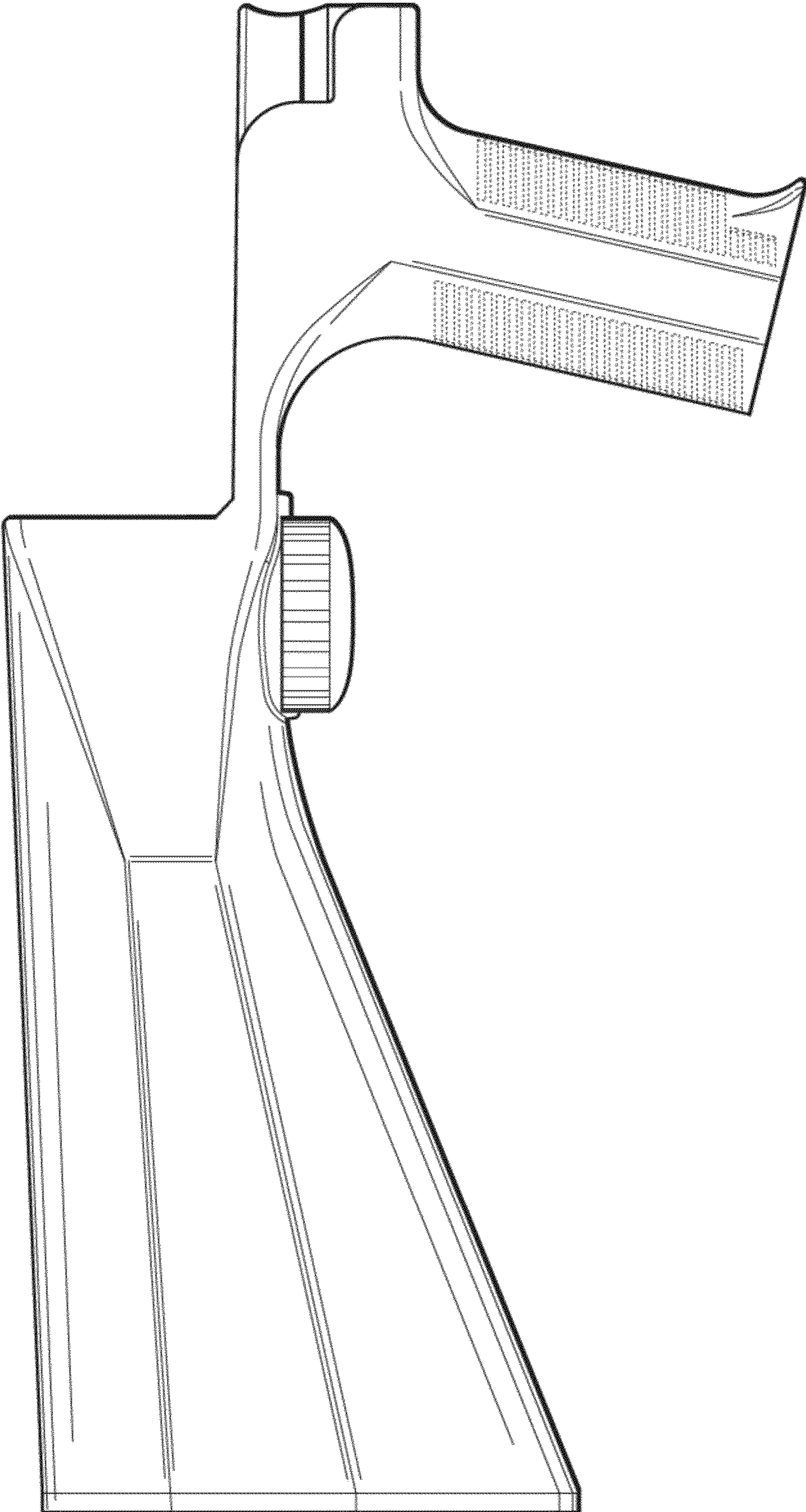


FIG. 2

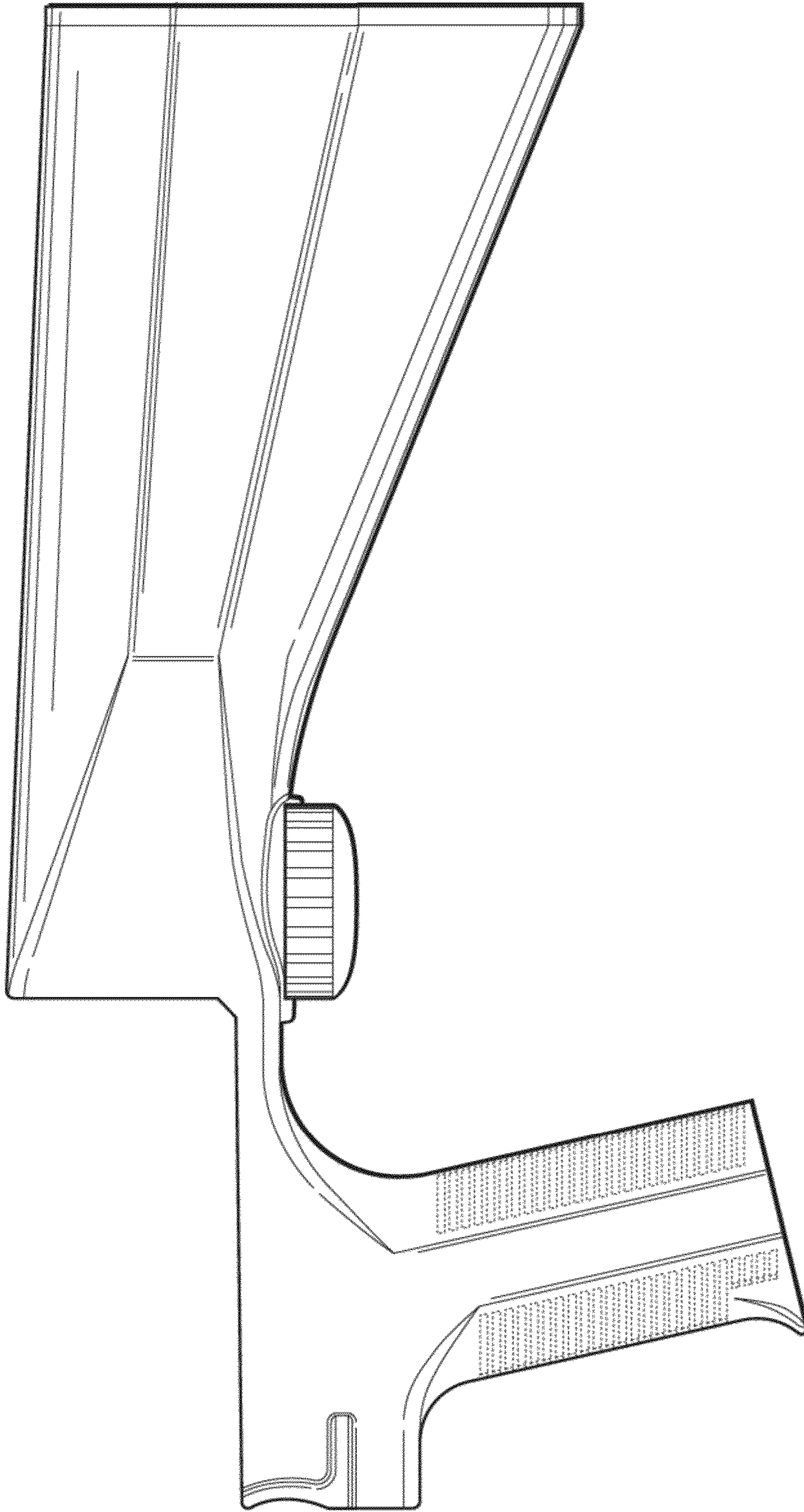


FIG. 3

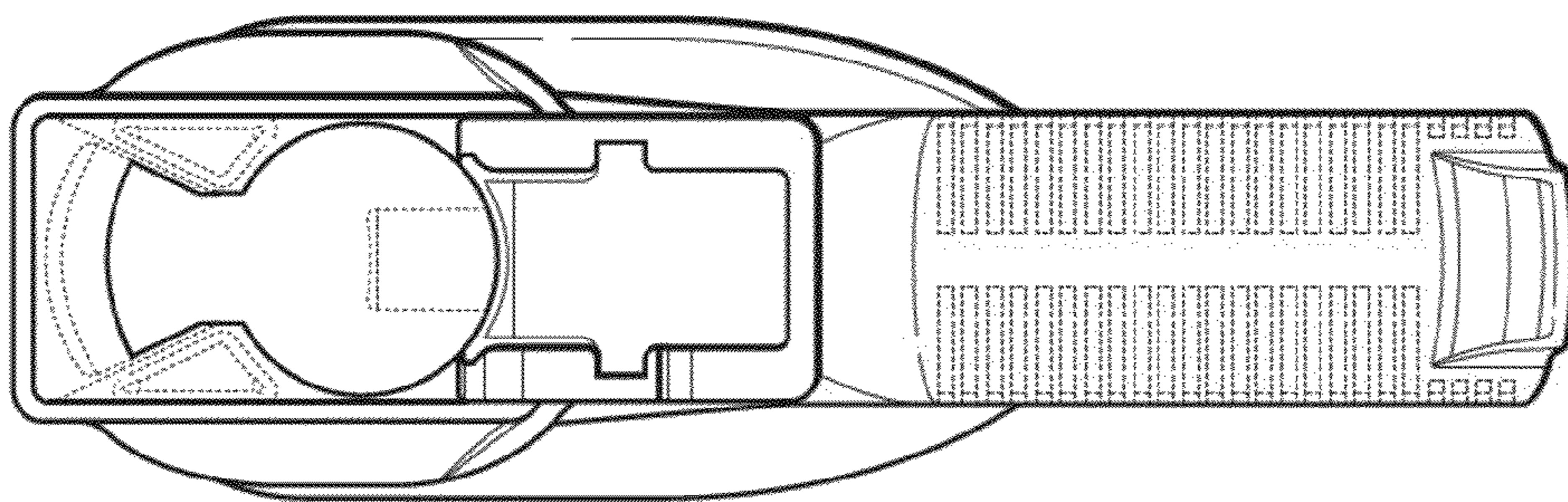


FIG. 5

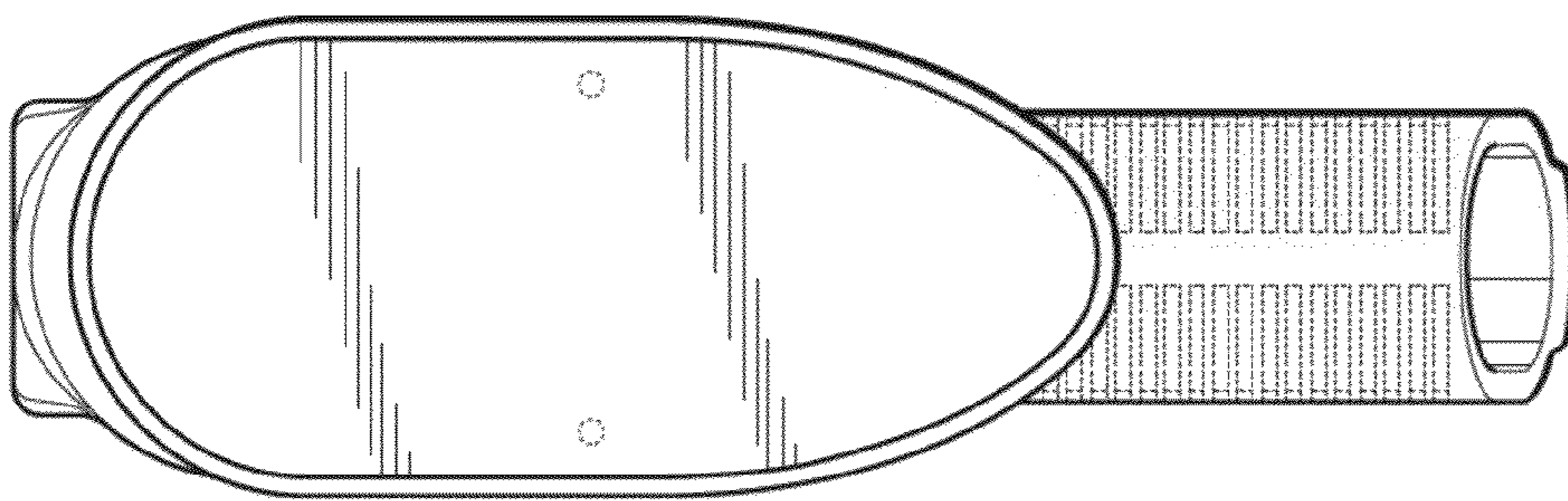


FIG. 4

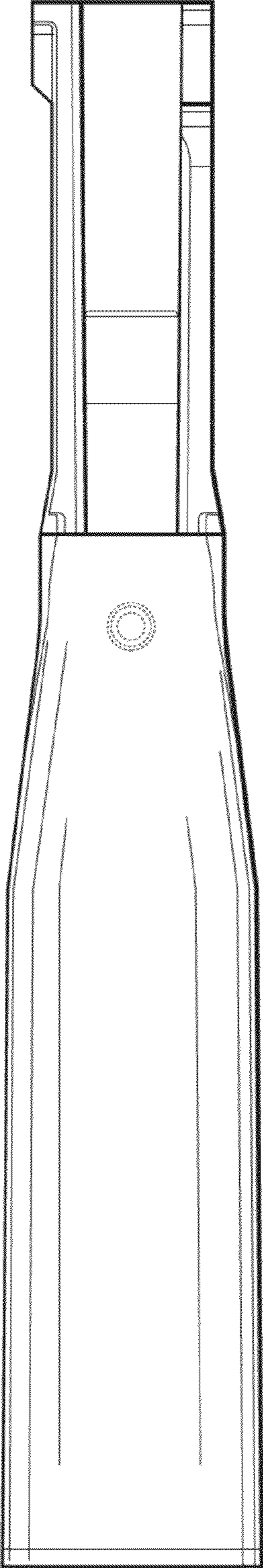


FIG. 6

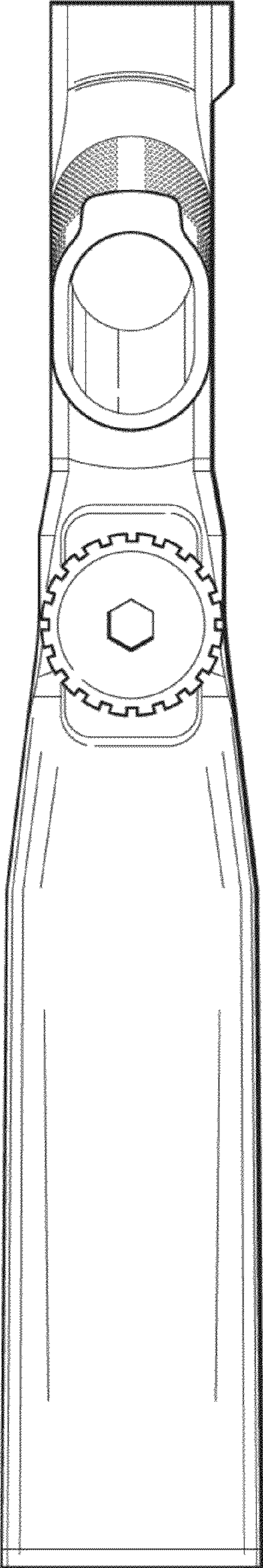


FIG. 7