



US00D700939S

(12) **United States Design Patent**
Marinoff

(10) **Patent No.:** **US D700,939 S**
(45) **Date of Patent:** **** Mar. 11, 2014**

(54) **HOCKEY TRAINING DEVICE**

(71) Applicant: **James Peter Marinoff**, Northville, MI (US)

(72) Inventor: **James Peter Marinoff**, Northville, MI (US)

(73) Assignee: **James P. Marinoff**, Northville, MI (US)

(**) Term: **14 Years**

(21) Appl. No.: **29/443,750**

(22) Filed: **Jan. 22, 2013**

(51) **LOC (10) Cl.** **21-02**

(52) **U.S. Cl.**
USPC **D21/727**

(58) **Field of Classification Search**
USPC D21/791, 760, 761, 727, 722, 710, 706;
473/446, 422

See application file for complete search history.

(56) **References Cited**

U.S. PATENT DOCUMENTS

D301,906 S *	6/1989	Coolen	D21/710
D446,276 S *	8/2001	Bankhead	D21/791
6,569,041 B1 *	5/2003	Riivald	473/446
6,656,064 B2 *	12/2003	Zielinski	473/446
D514,645 S *	2/2006	Edwards et al.	D21/791
D593,628 S *	6/2009	Kallenbach	D21/791
D628,253 S *	11/2010	McKinney et al.	D21/722
D637,669 S *	5/2011	McKinney et al.	D21/722

8,182,373 B2 * 5/2012 Delorme 473/446

* cited by examiner

Primary Examiner — Mitchell Siegel

(74) *Attorney, Agent, or Firm* — James McPherson

(57) **CLAIM**

The ornamental designs for hockey training devices, as shown and described.

DESCRIPTION

FIG. 1 a perspective view of a hockey training device according to the present invention;

FIG. 2 is a top elevational view of the hockey training device shown in FIG. 1.

FIG. 3 is a front elevational view of the hockey training device shown in FIG. 1.

FIG. 4 is a bottom elevational view of the hockey training device shown in FIG. 1.

FIG. 5 is a side elevational view of the hockey training device shown in FIG. 1, wherein an opposing side elevational view of the hockey training device is substantially identical.

FIG. 6 is a rear elevational view of the hockey training device shown in FIG. 1.

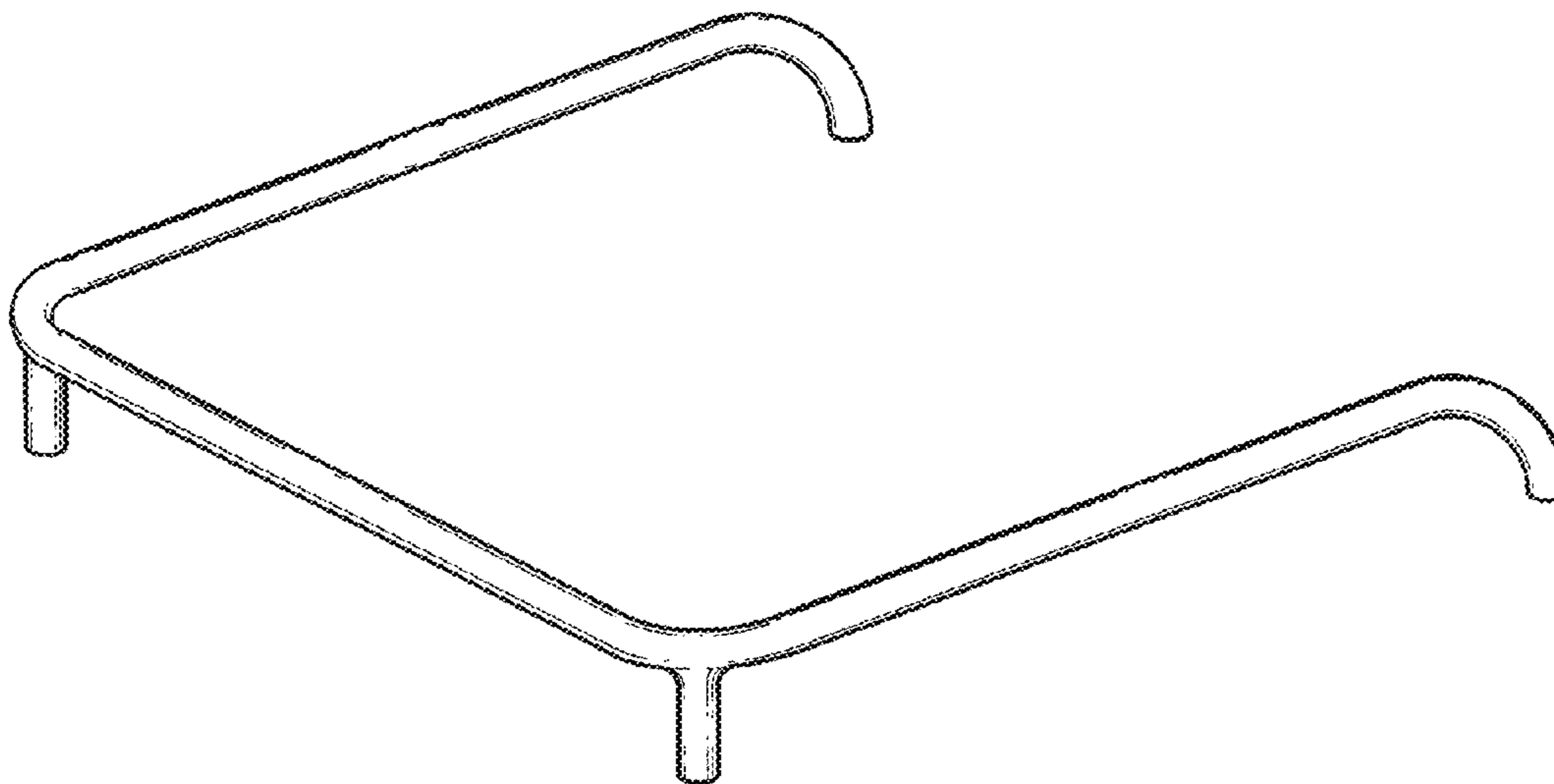
FIG. 7 is a perspective view of a second embodiment of a hockey training device;

FIG. 8 is a top elevational view of the hockey training device shown in FIG. 7.

FIG. 9 is a perspective view of a third embodiment of a hockey training device; and,

FIG. 10 is a top elevational view of the hockey training device shown in FIG. 9.

1 Claim, 4 Drawing Sheets



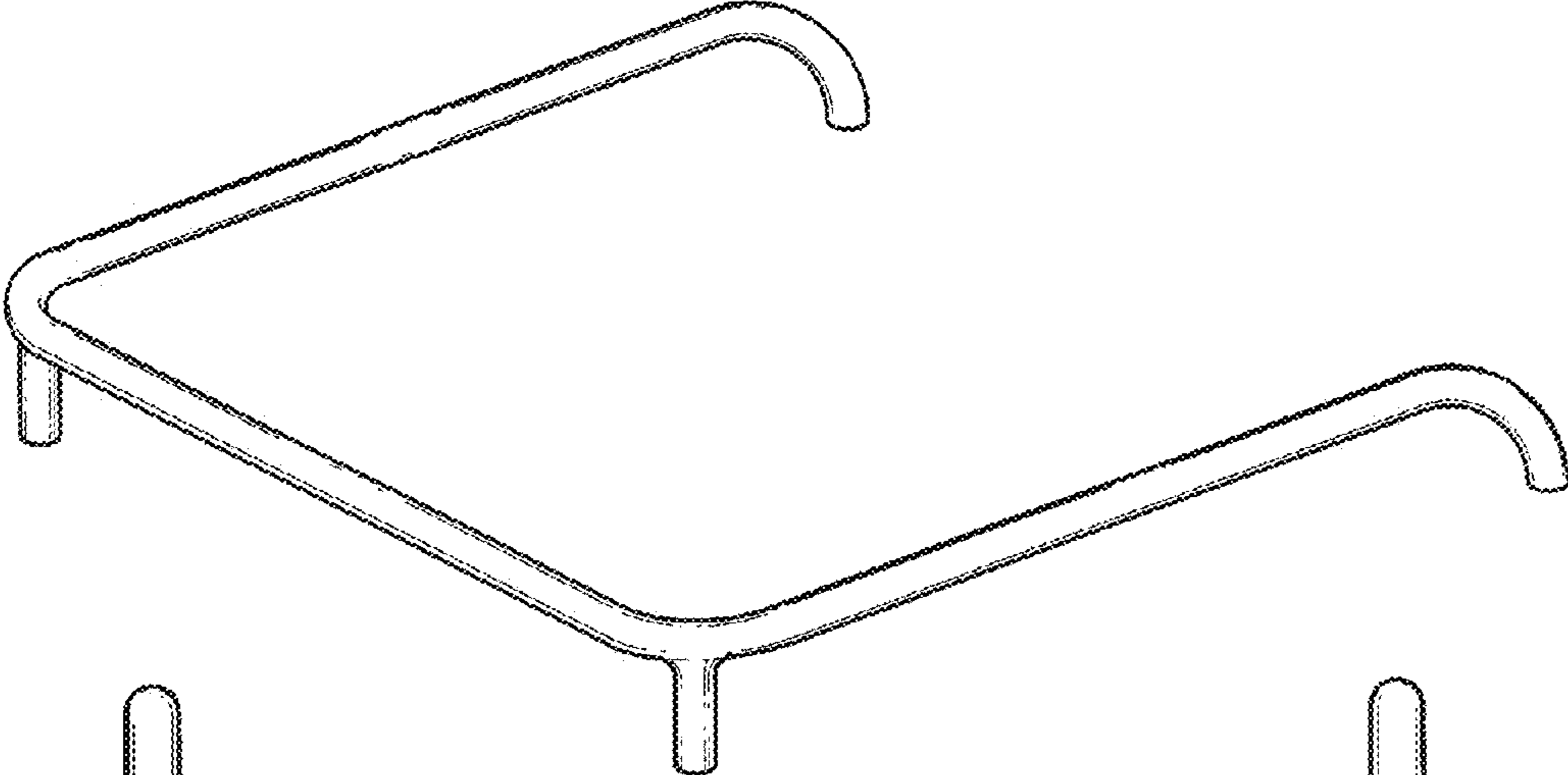


Fig-1

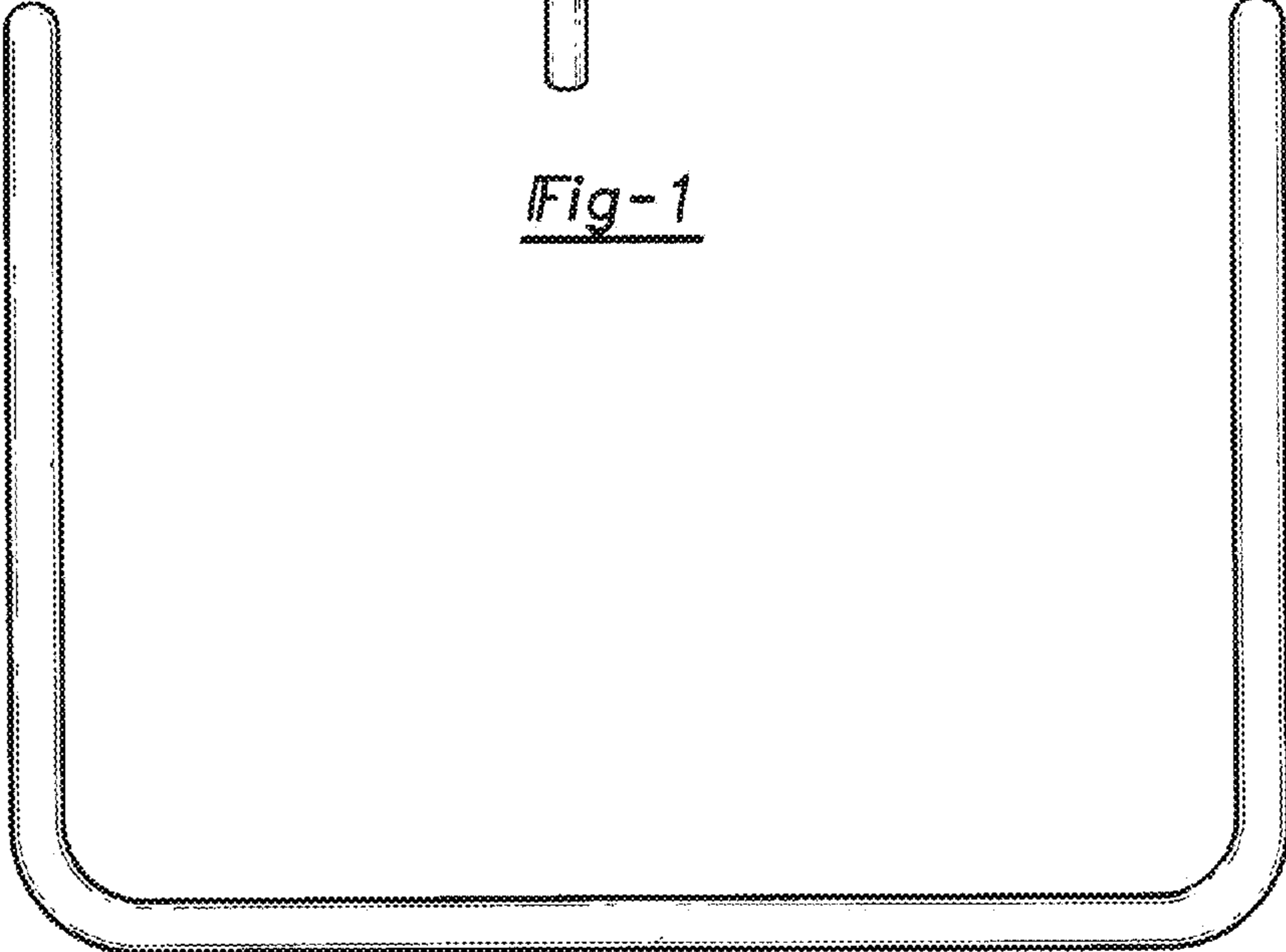


Fig-2

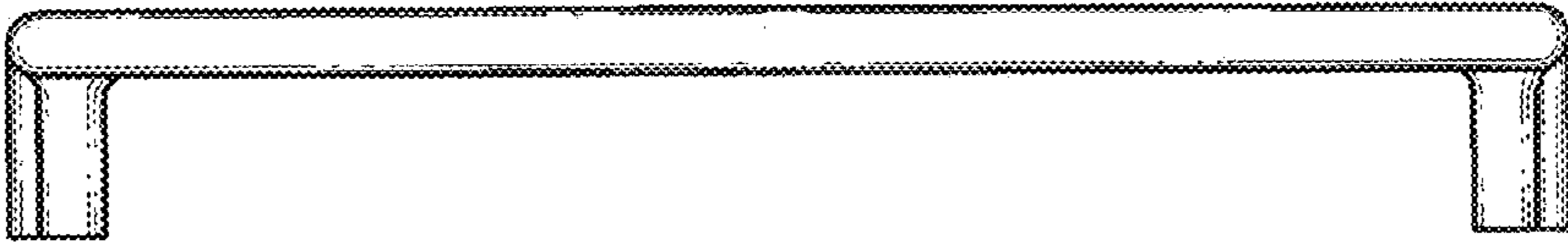


Fig-3

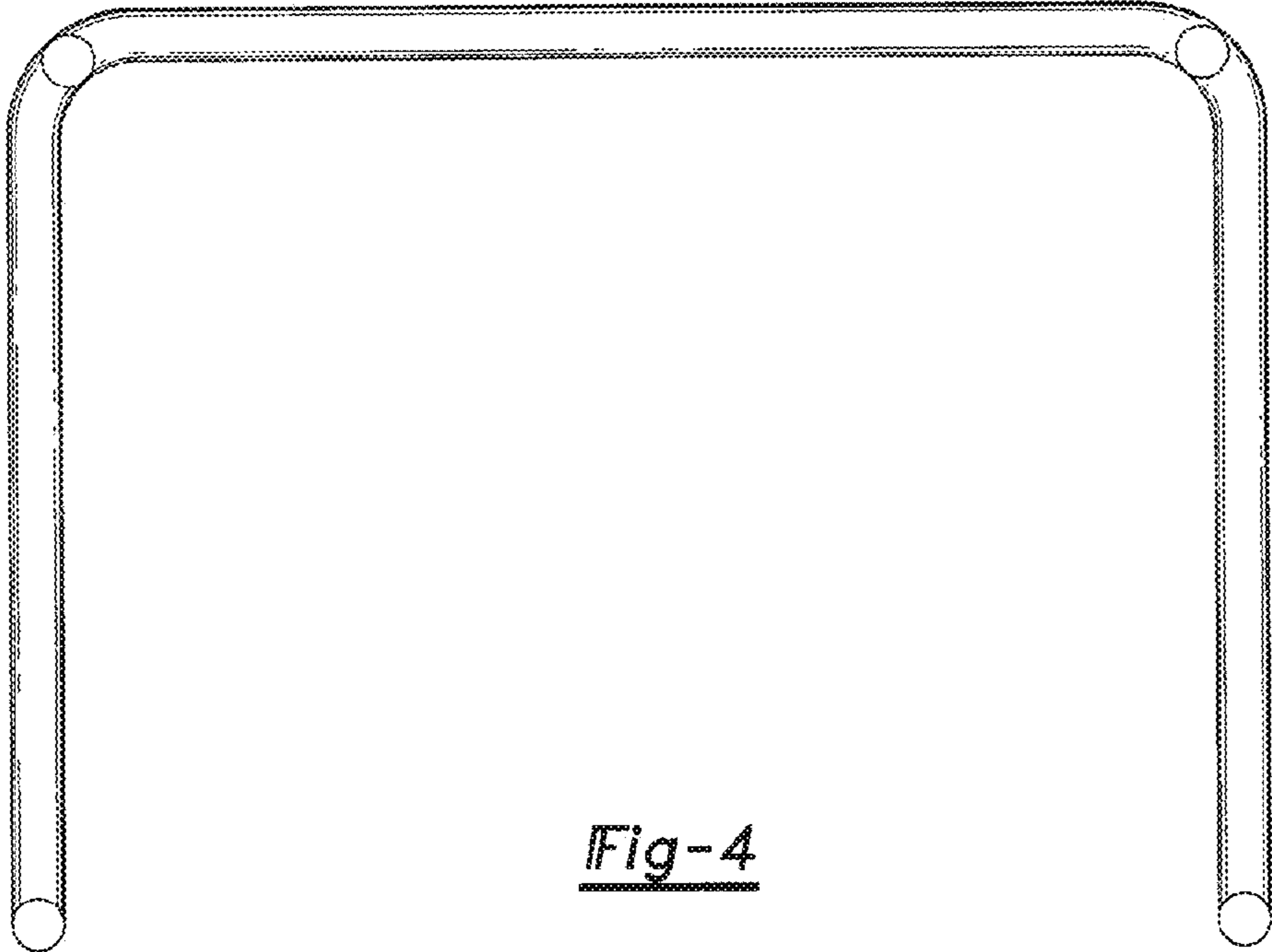


Fig-4

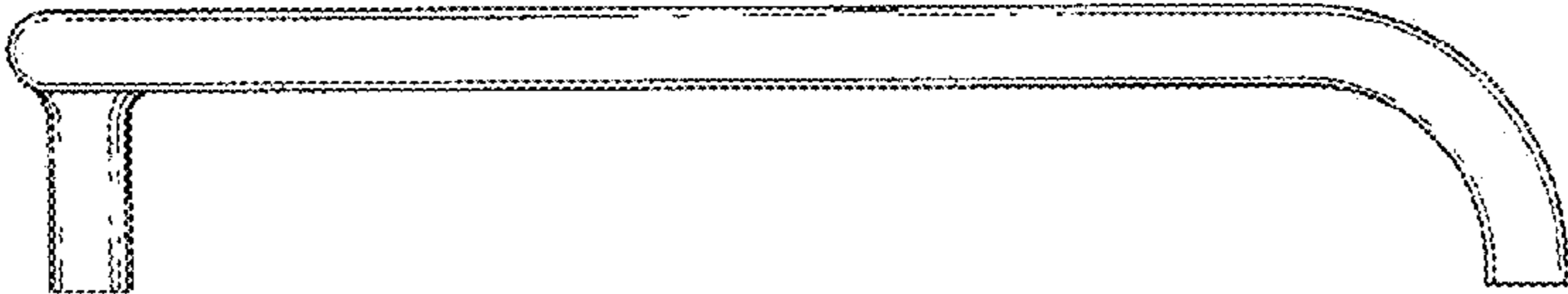


Fig-5

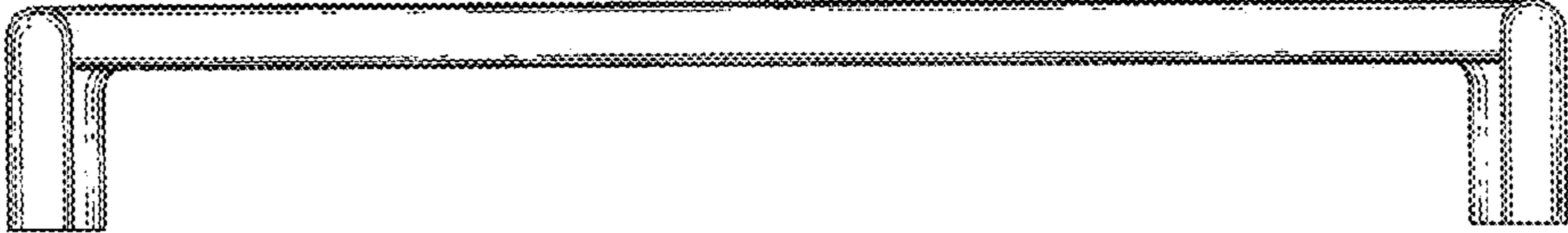


Fig-6

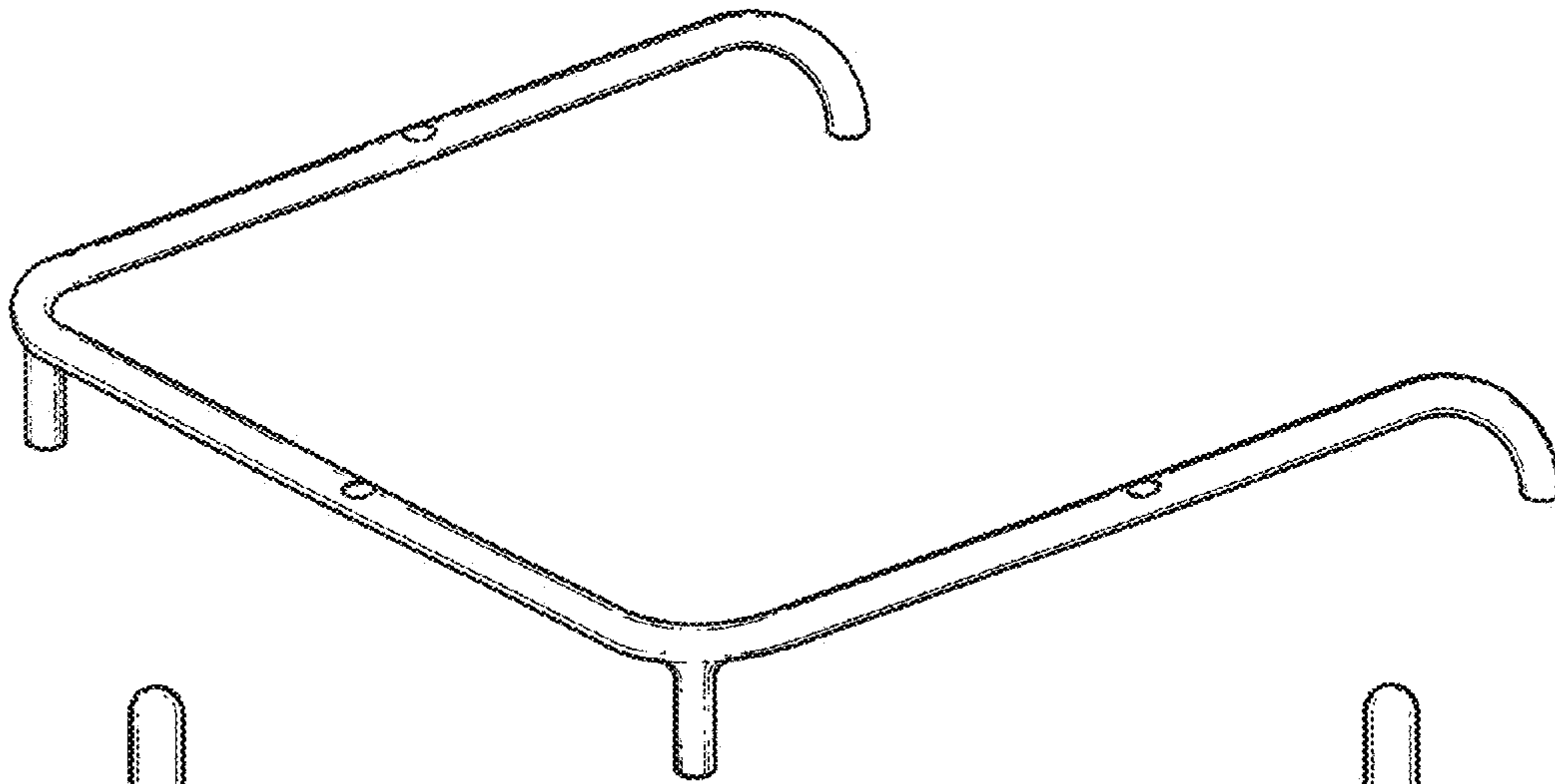


Fig-7

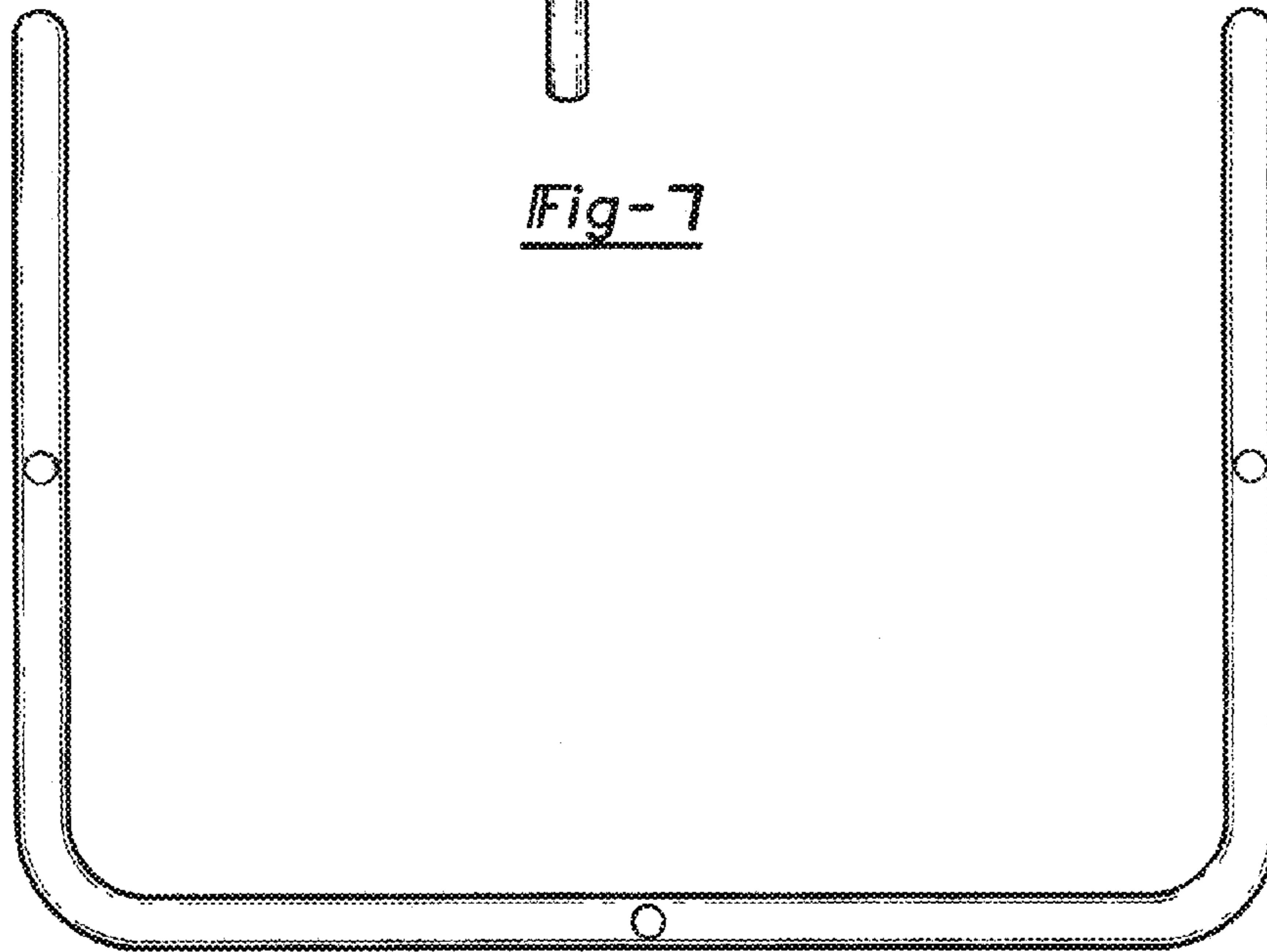


Fig-8

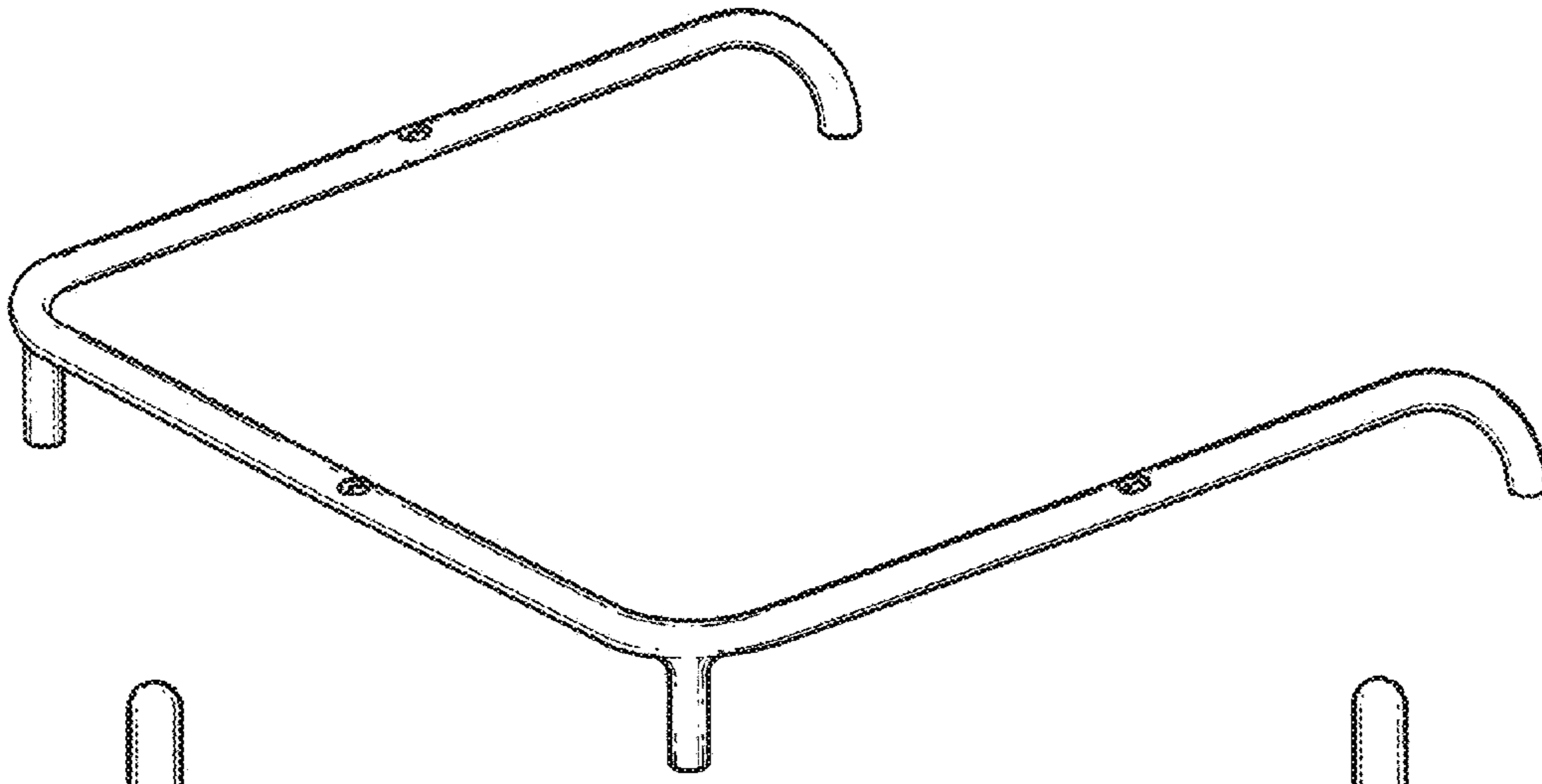


Fig-9

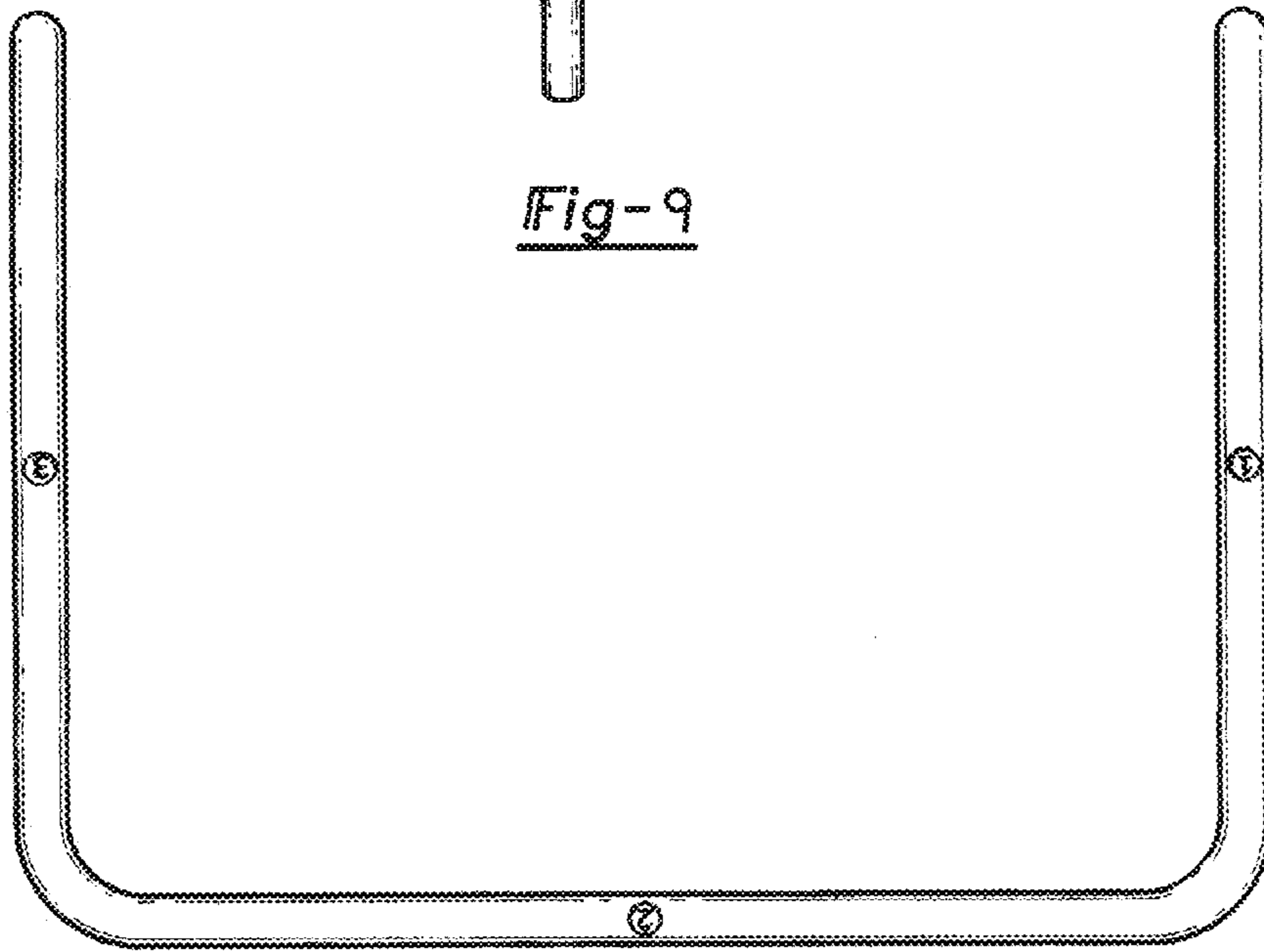


Fig-10