



US00D700931S

(12) **United States Design Patent**
Miera

(10) **Patent No.:** **US D700,931 S**
(45) **Date of Patent:** **** Mar. 11, 2014**

(54) **SUNGLASSES**

(71) Applicant: **Milner Distribution Alliance, Inc.**,
Monument, CO (US)

(72) Inventor: **Brandon Miera**, Monument, CO (US)

(73) Assignee: **Milner Distribution Alliance, Inc.**,
Monument, CO (US)

(**) Term: **14 Years**

(21) Appl. No.: **29/465,398**

(22) Filed: **Aug. 27, 2013**

(51) **LOC (10) Cl.** **16-06**

(52) **U.S. Cl.**
USPC **D16/315; D16/335**

(58) **Field of Classification Search**
USPC D16/101, 300-342, 900; D29/109-110;
351/41, 44, 51-52, 62, 158, 92,
351/103-123, 140-153, 45-46; 2/426-432,
2/447-449, 441, 434-437, 13, 15;
D21/483, 659-661; D14/372
See application file for complete search history.

D407,428 S 3/1999 Jannard et al.
D415,188 S 10/1999 Thixton et al.
D456,441 S 4/2002 Jannard et al.
D464,669 S 10/2002 Thixton et al.
D469,459 S 1/2003 Moritz
D478,114 S 8/2003 Yee
D478,929 S 8/2003 Baden et al.
D484,173 S 12/2003 Jannard et al.
D496,383 S 9/2004 Yee et al.
D496,680 S 9/2004 Yee
D497,380 S 10/2004 Thixton et al.
D502,959 S 3/2005 Hsu
D508,515 S 8/2005 Yee et al.

(Continued)

FOREIGN PATENT DOCUMENTS

DE 29912275 U1 11/1999
EP 1582909 A1 10/2005
JP 2007286210 A 11/2007
WO 9721139 A1 6/1997

Primary Examiner — Raphael Barkai
(74) *Attorney, Agent, or Firm* — Perkins Coie LLP

(57) **CLAIM**
The ornamental design for sunglasses, as shown and described.

(56) **References Cited**

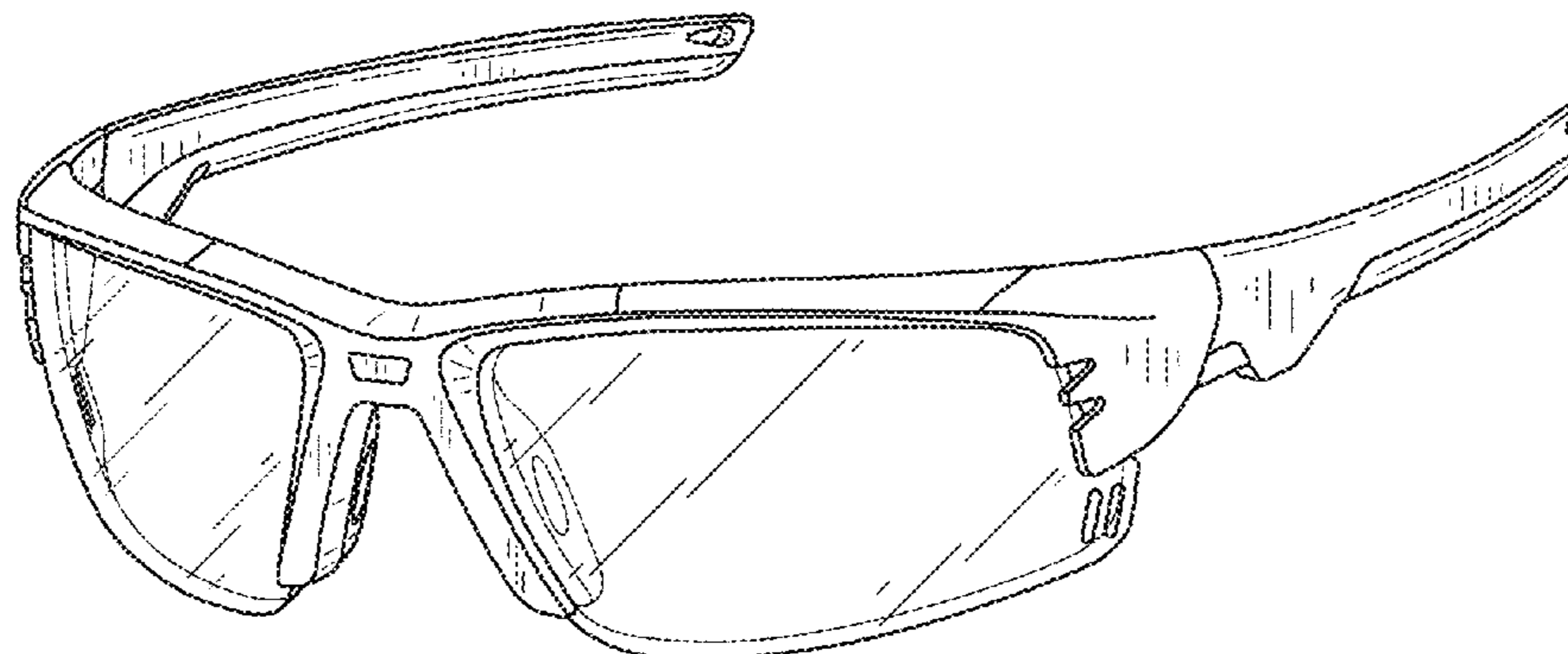
U.S. PATENT DOCUMENTS

D323,333 S 1/1992 Jannard et al.
D325,040 S 3/1992 Jannard
D329,445 S 9/1992 Jannard
D330,035 S 10/1992 Jannard
D330,716 S 11/1992 Jannard
D342,959 S 1/1994 Jannard et al.
D354,501 S 1/1995 Jannard
5,541,674 A 7/1996 Jannard
D376,810 S 12/1996 Ohie
D381,671 S * 7/1997 Tan et al. D16/315
D384,364 S 9/1997 Yee
D399,519 S 10/1998 Yee
D399,866 S 10/1998 Yee
D400,232 S 10/1998 Jannard et al.

DESCRIPTION

FIG. 1 is a front perspective view of the sunglasses of the present application;
FIG. 2 is a front elevation view thereof;
FIG. 3 is a rear elevation view thereof;
FIG. 4 is a right elevation view thereof;
FIG. 5 is a left elevation view thereof;
FIG. 6 is a top elevation view thereof; and,
FIG. 7 is a bottom elevation view thereof.
Phantom lining, where used, is for illustrative purposes only and is not intended to limit the claimed design to the features shown in phantom.

1 Claim, 5 Drawing Sheets



(56)

References Cited

U.S. PATENT DOCUMENTS

D513,275 S	12/2005	Yee	D581,443 S	11/2008	Jannard et al.	
D525,280 S	7/2006	Yee et al.	D581,444 S	11/2008	Jannard et al.	
D539,829 S	4/2007	Chuang	D581,449 S	11/2008	Yee	
D543,572 S	5/2007	Yee et al.	D586,379 S	2/2009	Thixton et al.	
D543,574 S	5/2007	Jannard et al.	D590,432 S	4/2009	Yee	
D544,020 S	6/2007	Thixton et al.	D591,787 S	5/2009	Yee	
D545,868 S	7/2007	Chuang	D601,613 S	10/2009	Yee	
D547,794 S	7/2007	Jannard et al.	D604,757 S	11/2009	Yee	
D554,689 S	11/2007	Jannard et al.	D614,226 S	4/2010	Fulton et al.	
D555,705 S	11/2007	Chuang	D616,920 S *	6/2010	Thixton	D16/335
D556,243 S *	11/2007	Elmore	D622,302 S *	8/2010	Yee	D16/314
D558,816 S	1/2008	Yee	D622,755 S	8/2010	Yee	
D561,809 S	2/2008	Yee	D628,229 S *	11/2010	Fuchs	D16/315
D561,813 S	2/2008	Baden et al.	D639,845 S *	6/2011	Fuchs	D16/315
D564,568 S	3/2008	Moritz	D640,725 S	6/2011	Moritz et al.	
D564,571 S	3/2008	Jannard et al.	D659,180 S	5/2012	Moritz	
D565,088 S	3/2008	Baden et al.	D664,590 S	7/2012	Shin	
D568,366 S *	5/2008	Chen	D675,664 S *	2/2013	Moritz	D16/315
D569,412 S	5/2008	Jannard et al.	D676,898 S *	2/2013	Shin et al.	D16/335
			D683,786 S *	6/2013	Miera	D16/315
			D683,787 S *	6/2013	Miera	D16/315
			2007/0024806 A1	2/2007	Blanshay et al.	

* cited by examiner

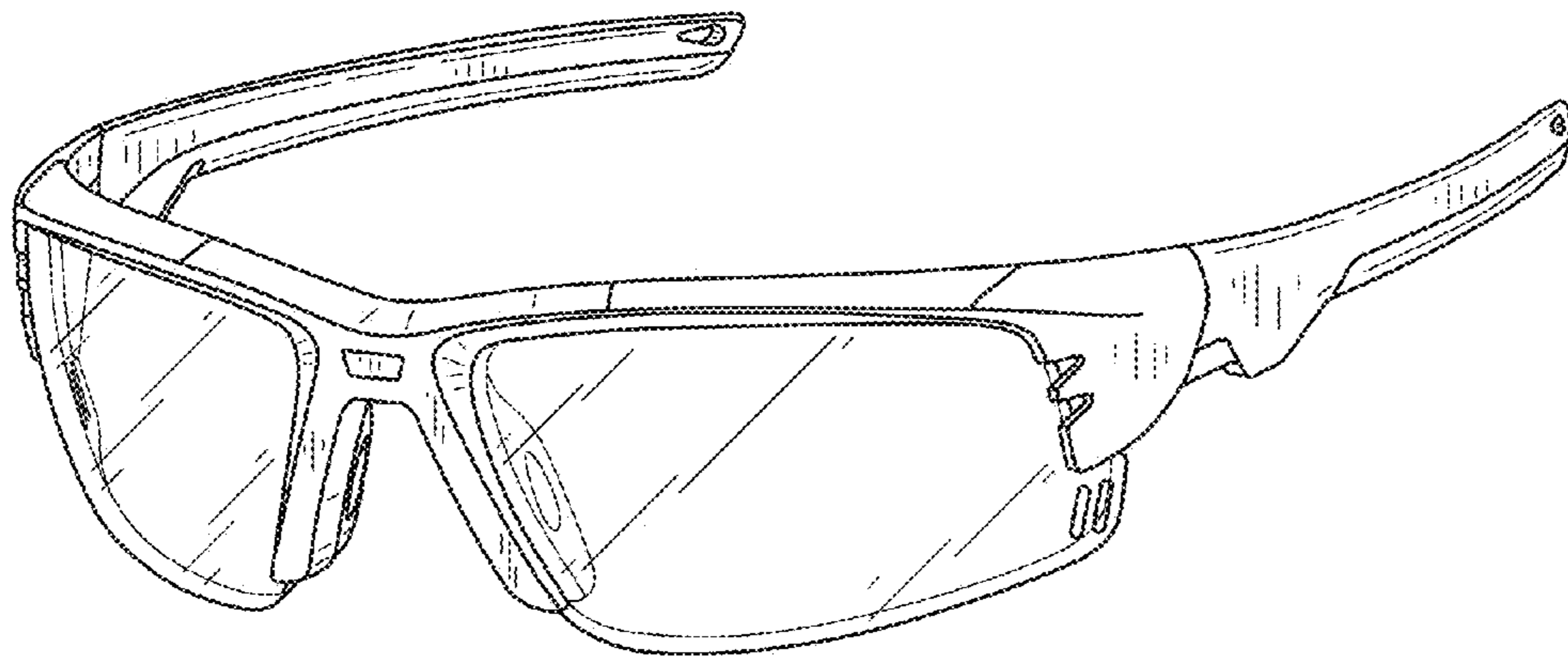


FIG. 1

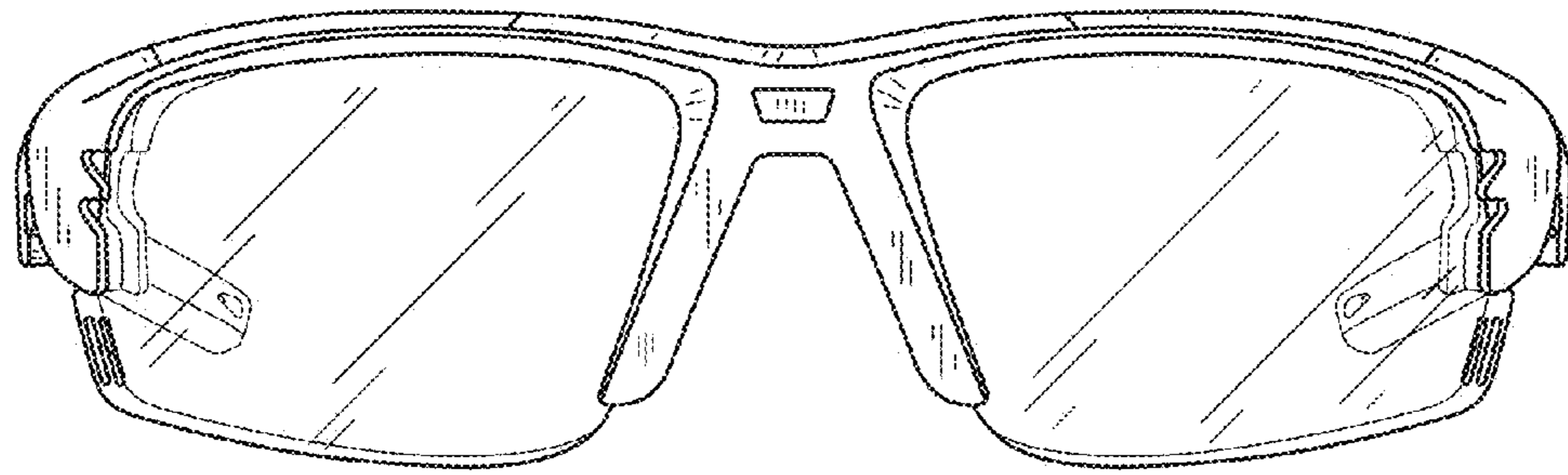


FIG. 2

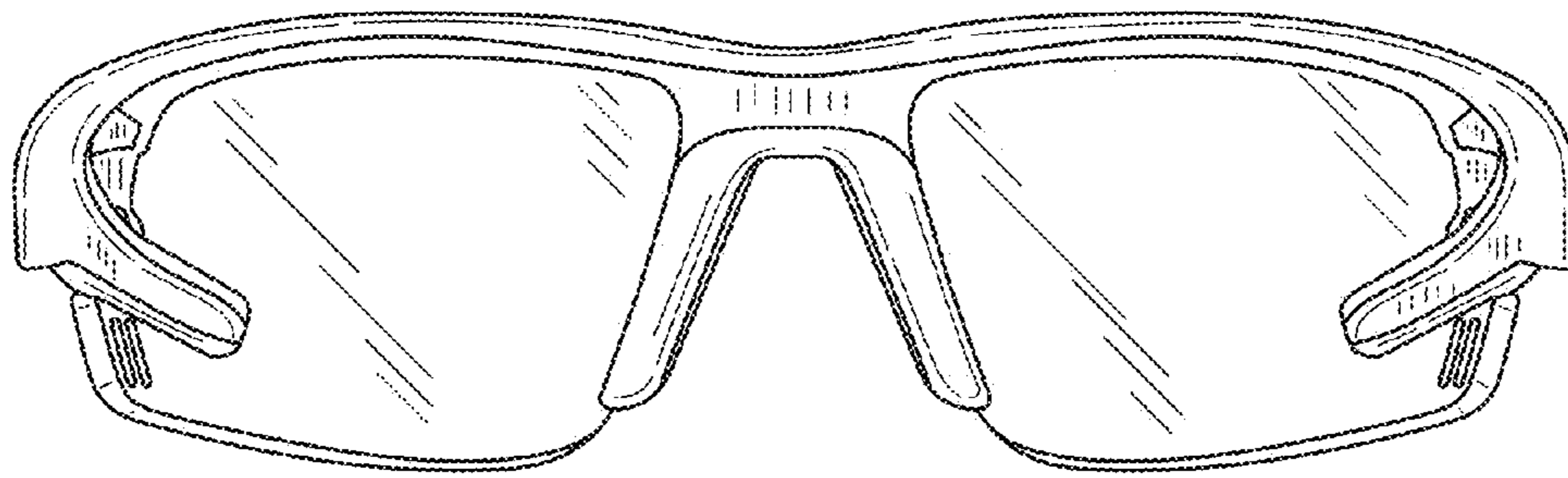


FIG. 3

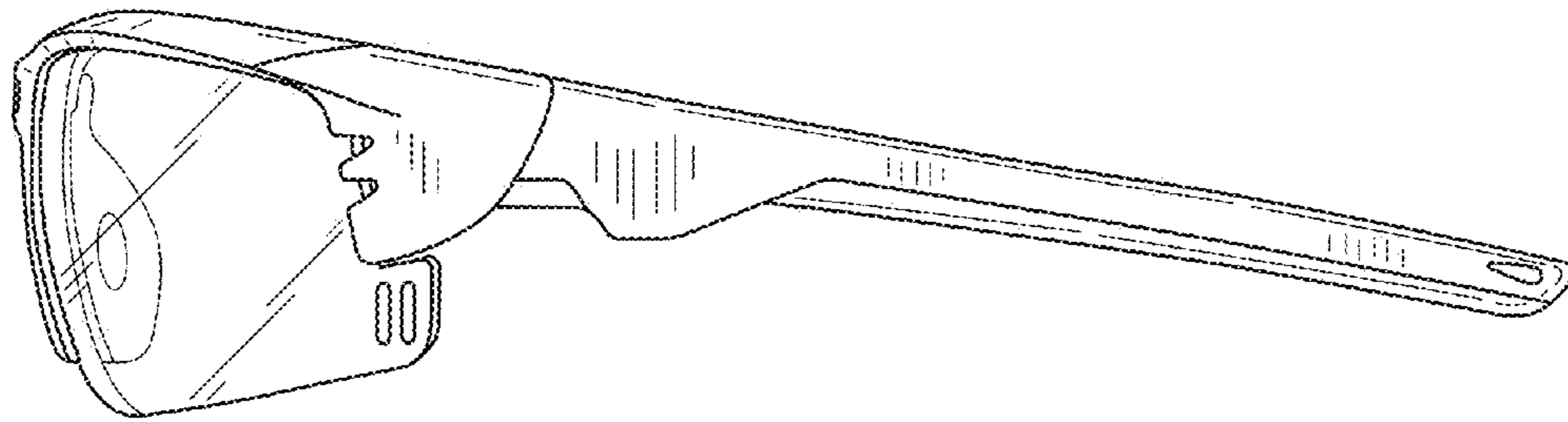


FIG. 4

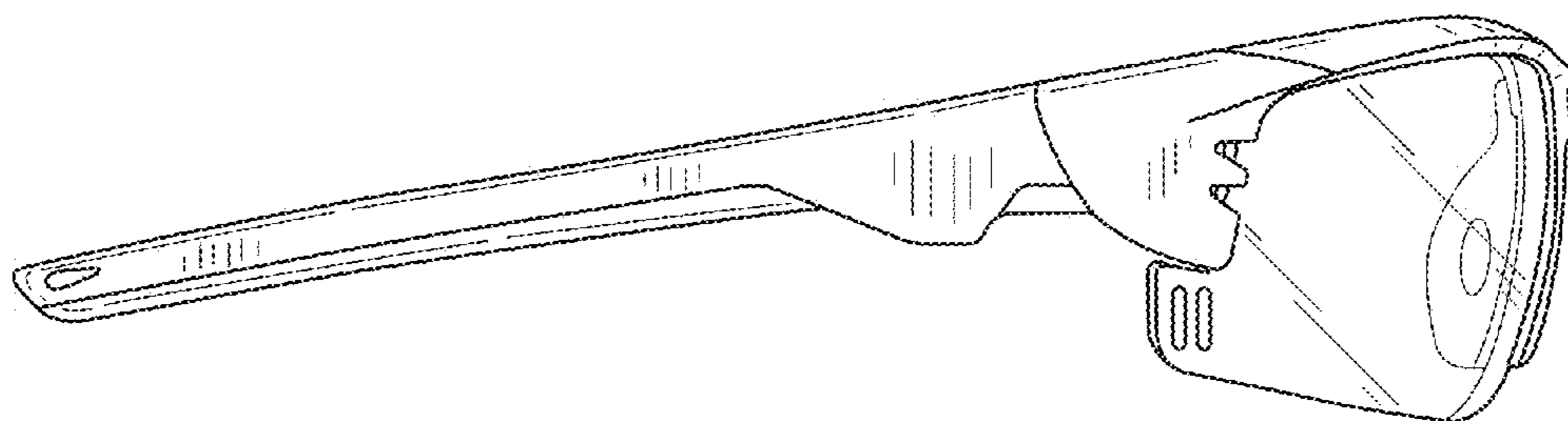


FIG. 5

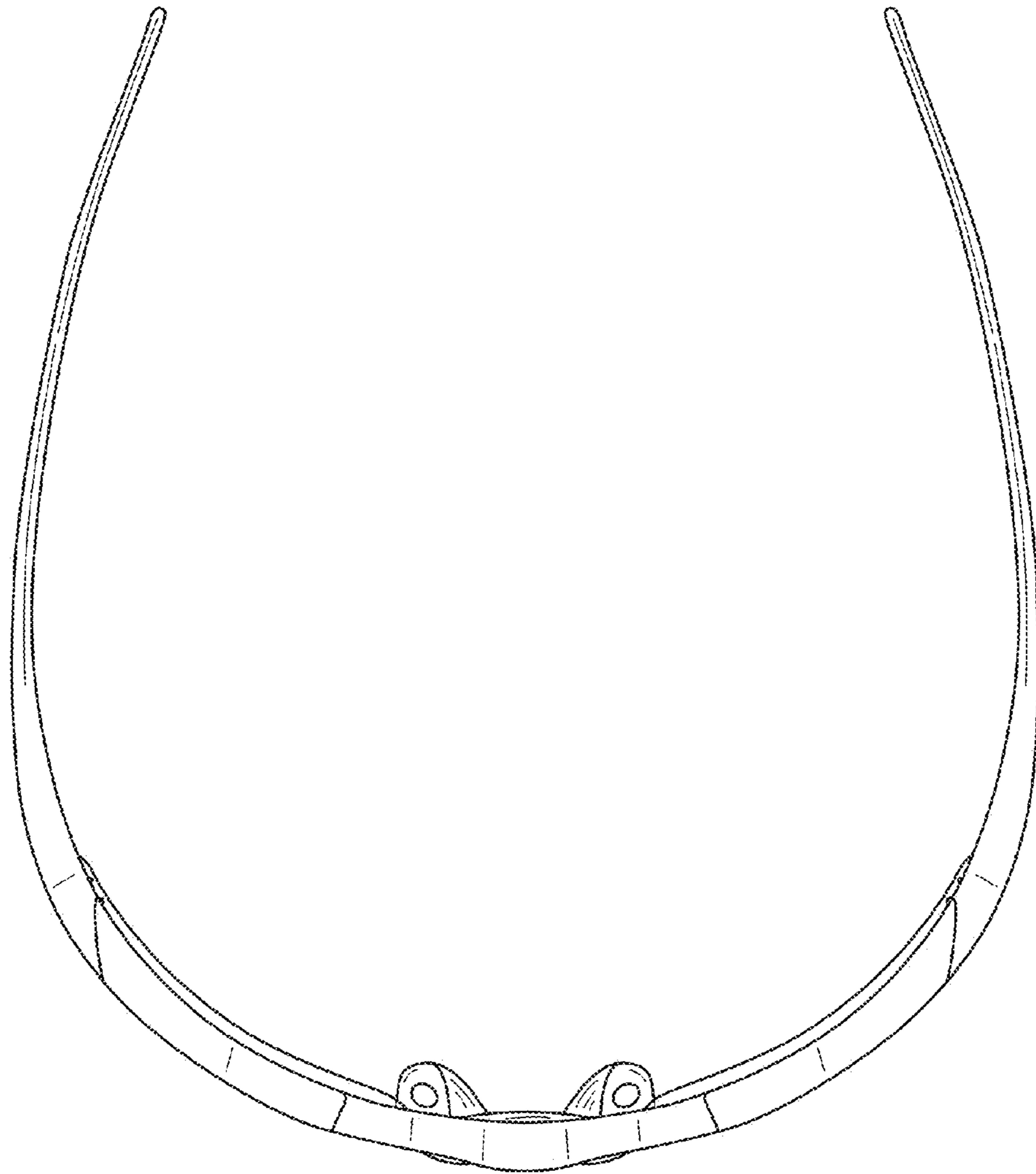


FIG.6

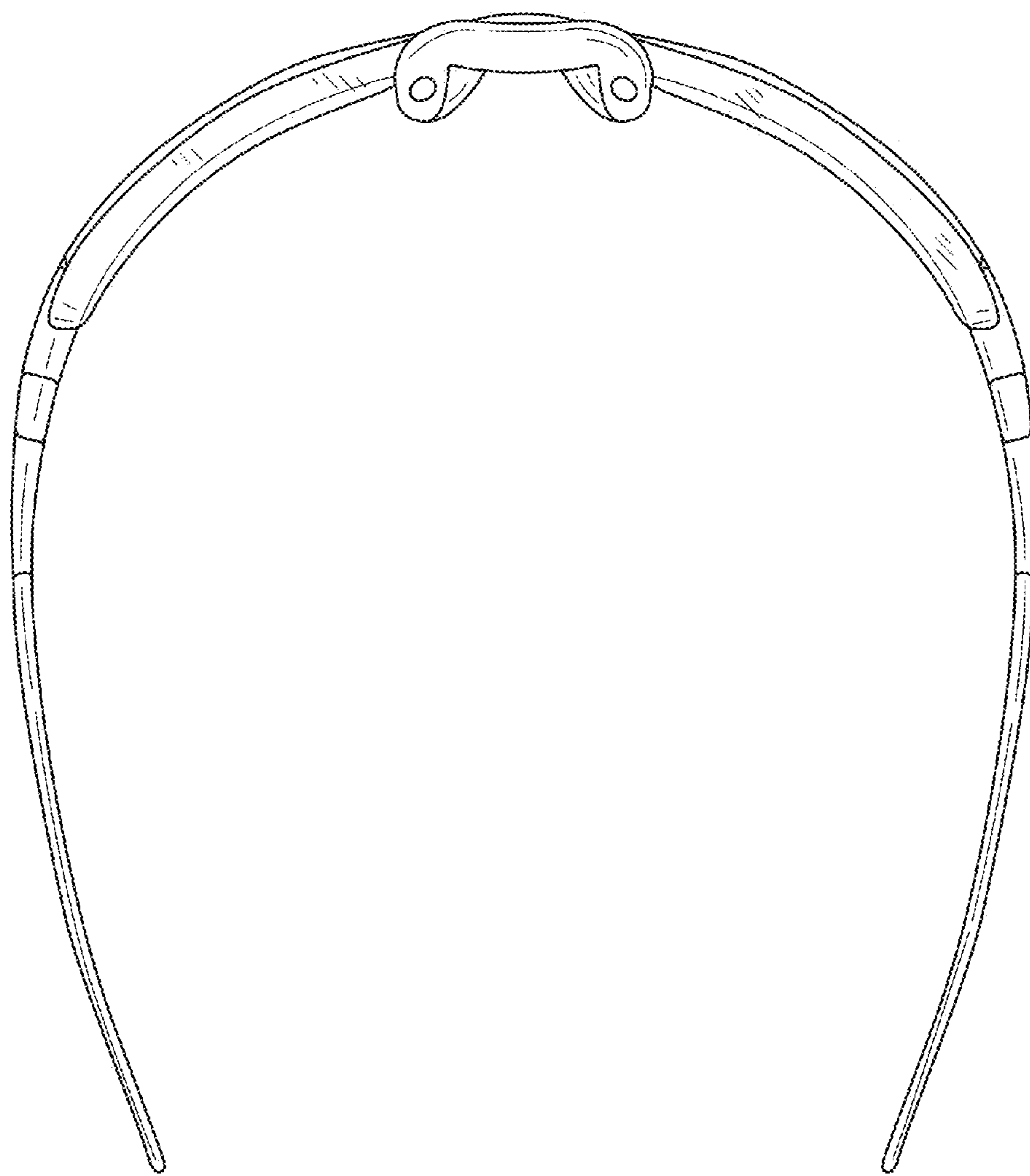


FIG.7