



US00D700928S

(12) **United States Design Patent**  
**Lavoie**

(10) **Patent No.:** **US D700,928 S**  
(45) **Date of Patent:** **\*\* Mar. 11, 2014**

(54) **GOGGLES AND THERMAL SENSOR**

6,160,666 A 12/2000 Rallison et al.  
6,717,737 B1 4/2004 Haglund  
6,900,777 B1 5/2005 Hebert et al.

(71) Applicant: **BAE Systems Information and Electronic Systems Integration Inc.**, Nashua, NH (US)

(Continued)

(72) Inventor: **Barry Lavoie**, Lowell, MA (US)

FOREIGN PATENT DOCUMENTS

(73) Assignee: **BAE Systems Information and Electronic Systems Integration Inc.**, Nashua, NH (US)

JP 2011145578 1/2010

(\*\*) Term: **14 Years**

OTHER PUBLICATIONS

(21) Appl. No.: **29/466,868**

Survivair SCBA: Business & Industrial | eBay. (n.d.). Electronics, Cars, Fashion, Collectibles, Coupons and More Online Shopping | eBay. Retrieved Oct. 14, 2013, from <http://www.ebay.com/bhp/survivair-scba>.

(22) Filed: **Sep. 12, 2013**

(Continued)

**Related U.S. Application Data**

*Primary Examiner* — Raphael Barkai

(63) Continuation-in-part of application No. 13/833,172, filed on Mar. 15, 2013.

(74) *Attorney, Agent, or Firm* — Sand & Sebolt; Joseph A. Sebolt; Clay H. Cunningham

(51) **LOC (10) Cl.** ..... **16-06**

(52) **U.S. Cl.**  
USPC ..... **D16/309**

(57) **CLAIM**

The ornamental design for goggles and thermal sensor, as shown and described.

(58) **Field of Classification Search**  
USPC ..... D16/101, 300–342, 900; D29/109–110; 351/41, 44, 51–52, 62, 158, 92, 351/103–123, 140–153, 45–46; 2/426–432, 2/447–449, 441, 434–437, 13, 15; D21/483, 659–661; D14/372

**DESCRIPTION**

See application file for complete search history.

FIG. 1 is a front elevation view of the goggles and thermal sensor of the present invention.

FIG. 2 is a right side elevation view of the goggles and thermal sensor.

FIG. 3 is a left side elevation view of the goggles and thermal sensor.

FIG. 4 is a top plan view of the goggles and thermal sensor; and,

FIG. 5 is a bottom plan view of the goggles and thermal sensor.

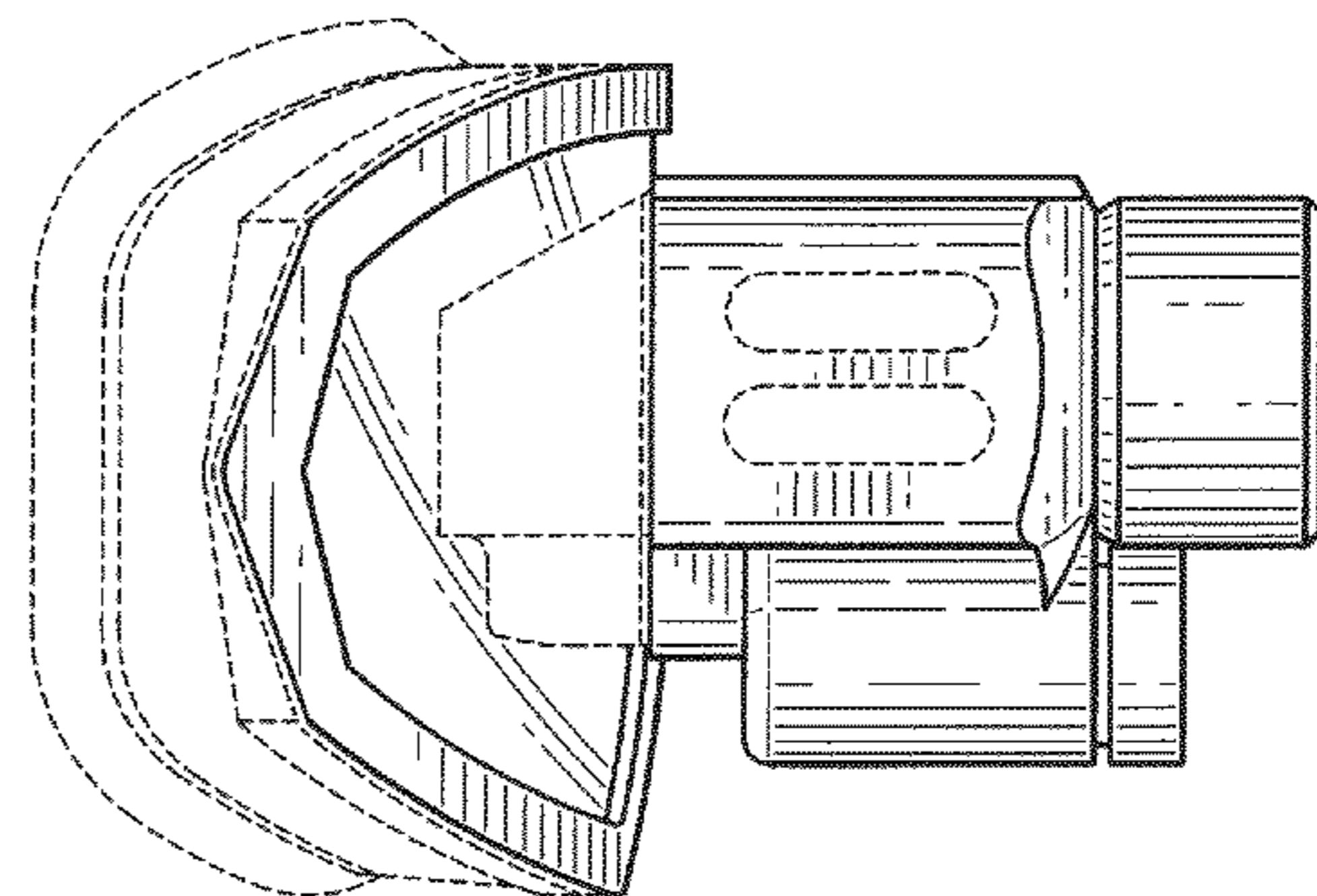
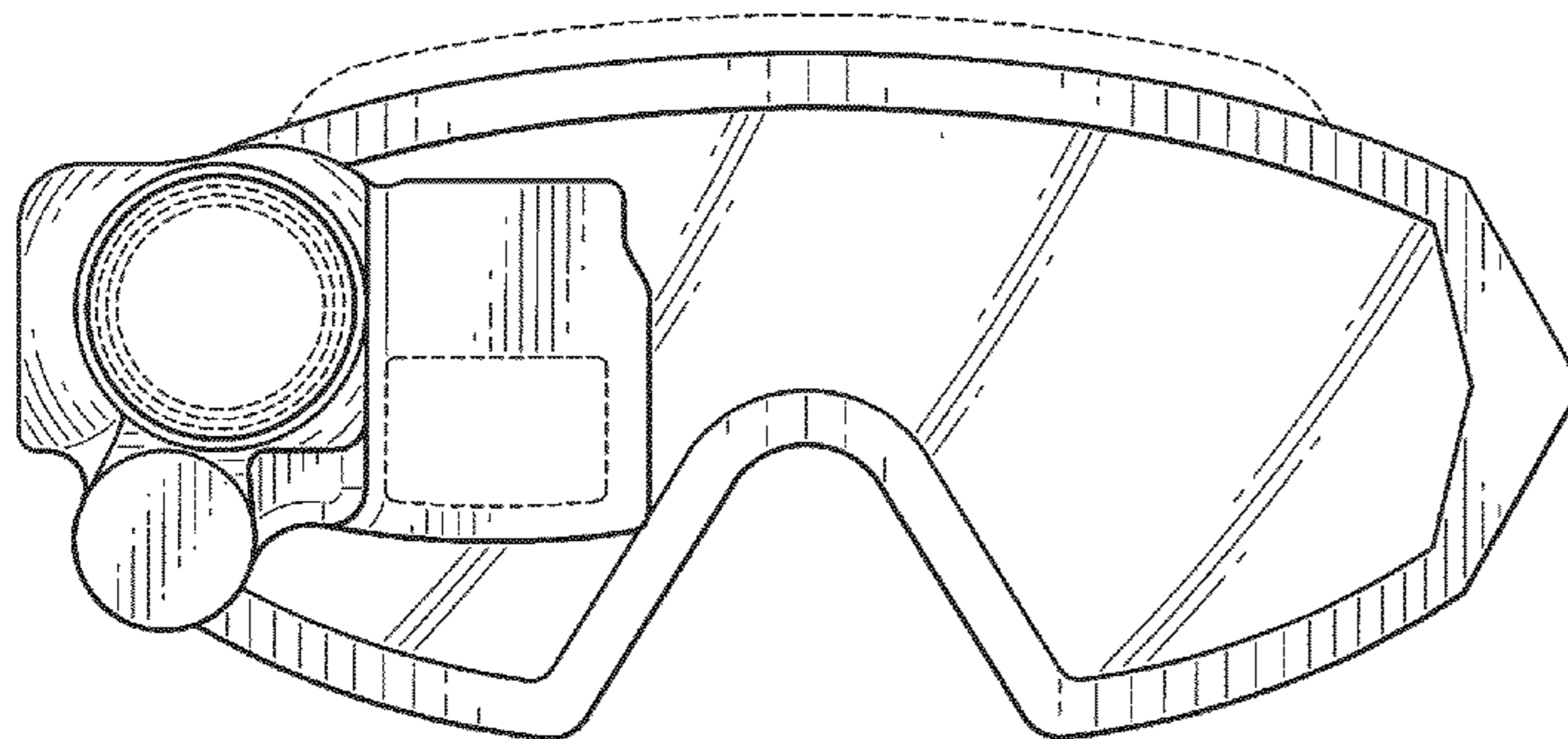
The broken lines illustrate portions of the goggles and thermal sensor which form no part of the claimed design.

(56) **References Cited**

U.S. PATENT DOCUMENTS

4,653,879 A 3/1987 Filipovich  
4,655,562 A 4/1987 Kreitzer et al.  
5,200,827 A \* 4/1993 Hanson et al. .... 2/6.2  
5,379,140 A 1/1995 Michel et al.  
5,581,271 A 12/1996 Kraemer  
D431,585 S \* 10/2000 Vance et al. .... D16/312

**1 Claim, 3 Drawing Sheets**



(56)

**References Cited**

U.S. PATENT DOCUMENTS

7,245,273 B2 7/2007 Eberl et al.  
D591,327 S \* 4/2009 Krause-Bonte ..... D16/309  
D592,693 S \* 5/2009 Chang ..... D16/309  
7,969,383 B2 6/2011 Eberl et al.  
2011/0239354 A1\* 10/2011 Celona et al. .... 2/422  
2012/0204303 A1\* 8/2012 Seo ..... 2/12

OTHER PUBLICATIONS

OES Products Group. (n.d.). OES Products Group. Retrieved Oct. 14, 2013, from <http://www.theoesgroup.com/>.

Air Soft Extreme. (n.d.). Air Soft Extreme. Retrieved Oct. 14, 2013, from [www.airsoftextreme.com/store/index.php?main\\_page=prod-](http://www.airsoftextreme.com/store/index.php?main_page=prod-)

[uct\\_info&cPath=254\\_671&products\\_id=6793&zenid=osl8ng6c6pmdvk5be62n0dem50](http://www.grainger.com/Grainger/MSA-Full-Face-Respirator-4AFU9).

MSA MSA Ultra Elite™ SCBA Respirator, S—Full Face Respirators—4AFU9|10084690—Grainger Industrial Supply. (n.d.). Grainger Industrial Supply—MRO Supplies, MRO Equipment, Tools & Solutions. Retrieved Oct. 14, 2013, from <http://www.grainger.com/Grainger/MSA-Full-Face-Respirator-4AFU9>.

Dräger FPS-COM-PLUS. (n.d.). Home. Retrieved Oct. 14, 2013, from [http://www.draeger.com/sites/enus\\_us/Pages/Oil-Gas-Industry/Draeger-FPS-COM-PLUS.aspx](http://www.draeger.com/sites/enus_us/Pages/Oil-Gas-Industry/Draeger-FPS-COM-PLUS.aspx).

Arayem Trade—Scott Sabre self contained breathing apparatus. (n.d.). Arayem Trade—Home. Retrieved Oct. 14, 2013, from [http://arayemtrade.com/sabre\\_self\\_contained\\_breathing\\_apparatus](http://arayemtrade.com/sabre_self_contained_breathing_apparatus).

Gismag Article; From 2012 Mobile World Congress.

\* cited by examiner

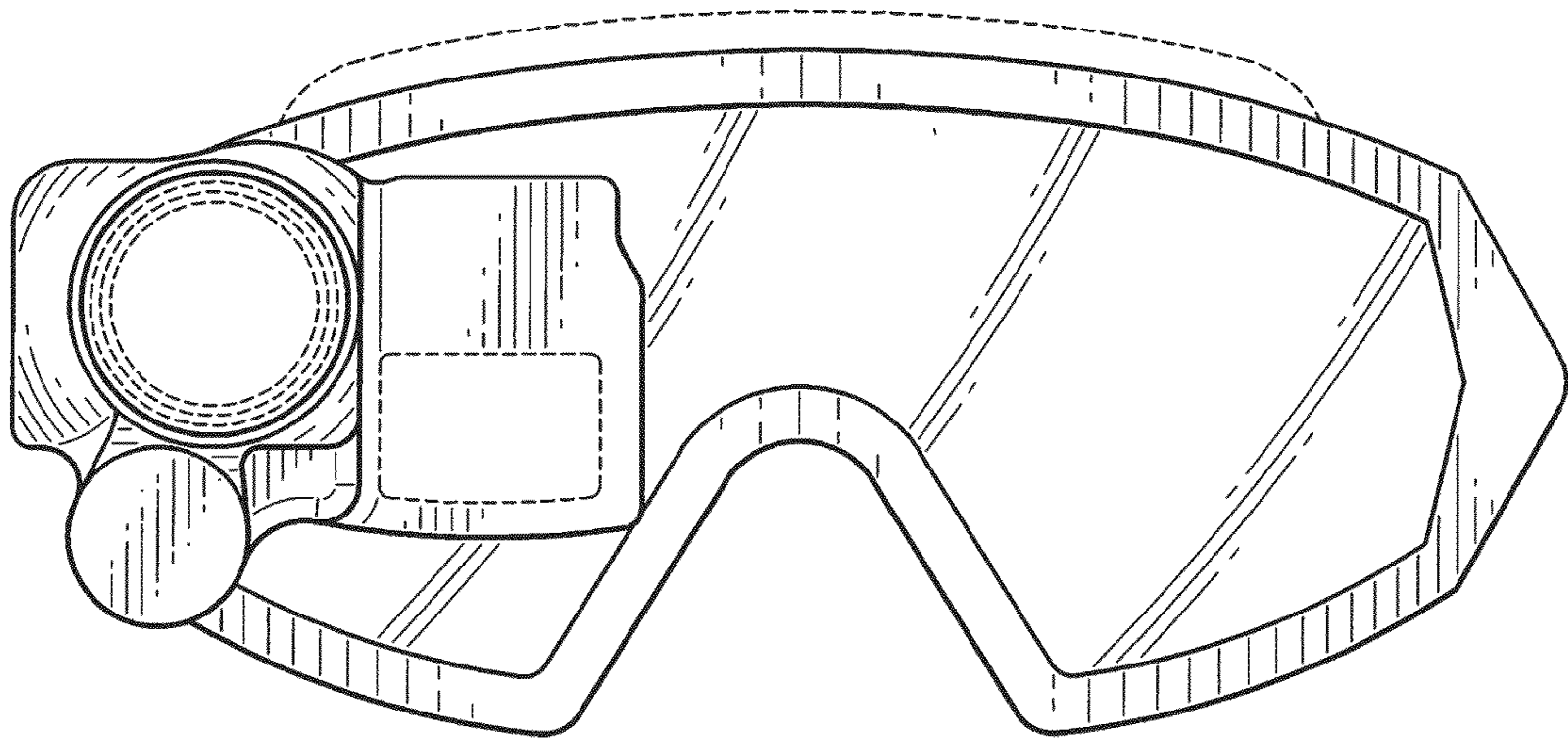


FIG-1



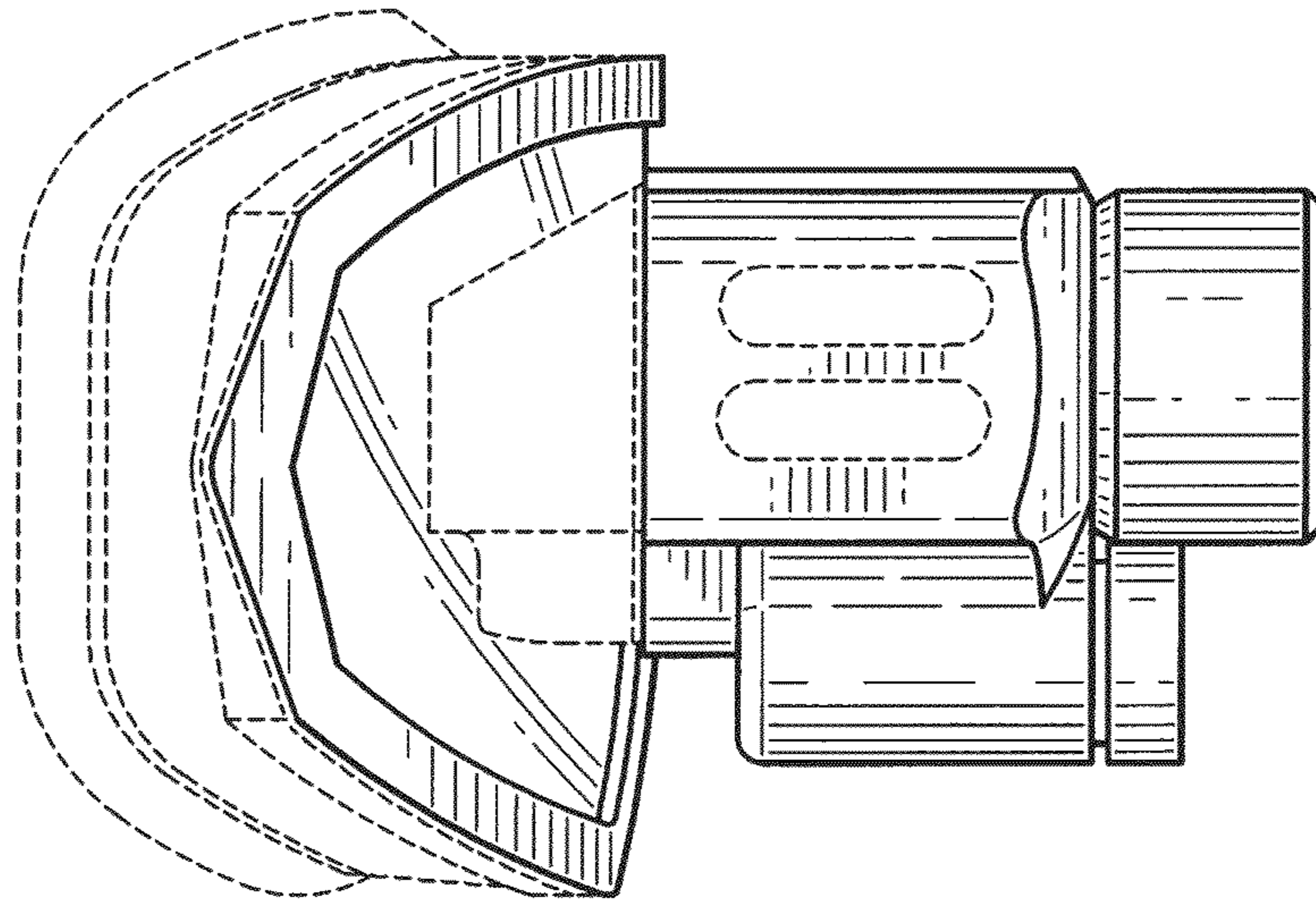


FIG-2

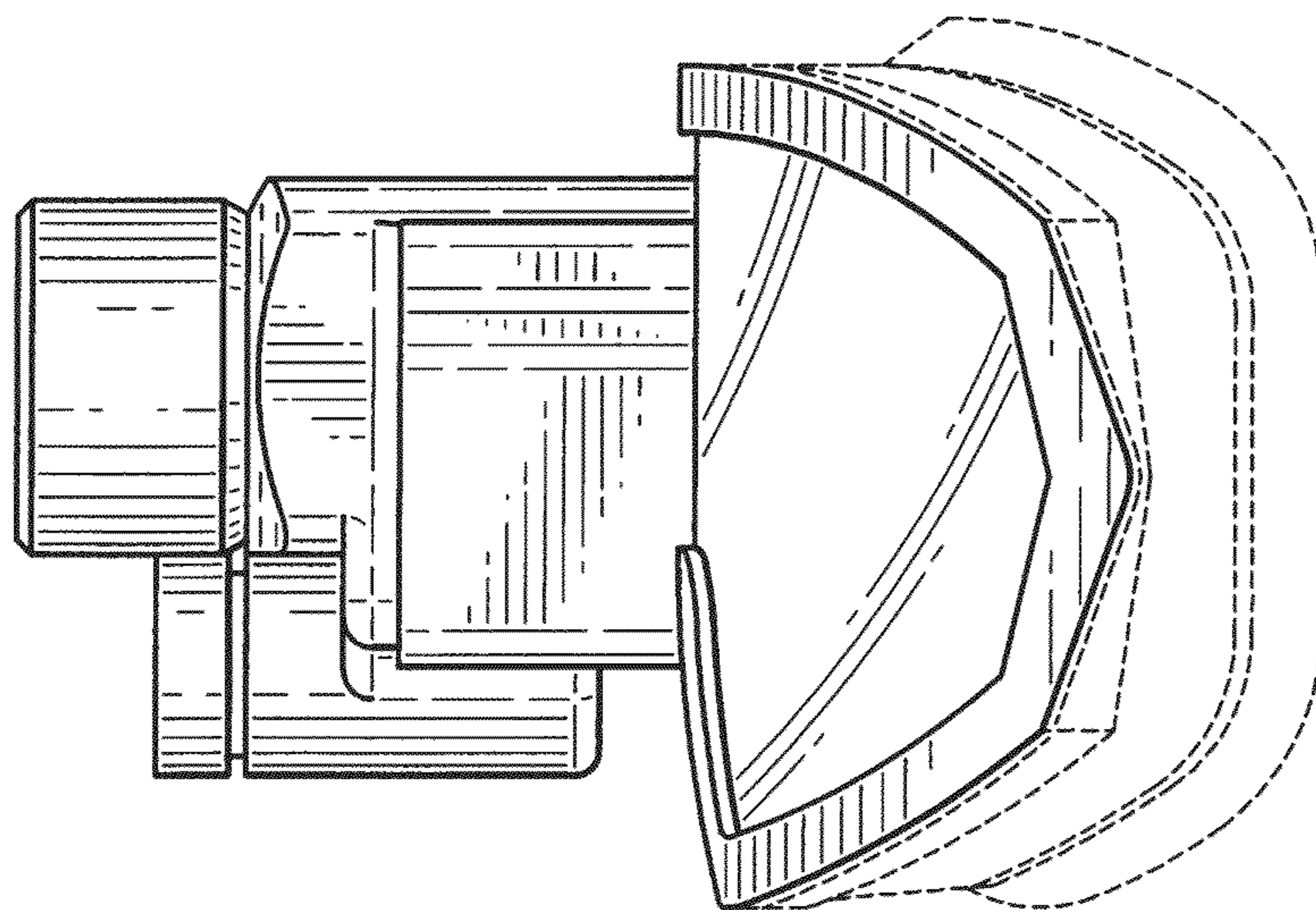


FIG-3

