



US00D700926S

(12) **United States Design Patent**
Georges

(10) **Patent No.:** **US D700,926 S**

(45) **Date of Patent:** **** Mar. 11, 2014**

(54) **PROJECTOR**

(71) Applicant: **Sagemcom Documents SAS**,
Rueil-Malmaison (FR)

(72) Inventor: **Beaujean Georges**, Shatin (HK)

(73) Assignee: **Sagemcom Documents SAS**,
Rueil-Malmaison (FR)

(**) Term: **14 Years**

(21) Appl. No.: **29/435,679**

(22) Filed: **Oct. 26, 2012**

(30) **Foreign Application Priority Data**

Apr. 30, 2012 (EM) 002035303-0001

(51) **LOC (10) CL.** **16-02**

(52) **U.S. CL.**
USPC **D16/231; D16/225**

(58) **Field of Classification Search**
USPC D16/201-202, 205, 208, 221, 225,
D16/229-231, 234-235, 237, 242, 245;
D21/514; D3/207; 353/115, 119, 122
See application file for complete search history.

(56) **References Cited**

U.S. PATENT DOCUMENTS

D203,932 S * 3/1966 Scheidt D16/221
D407,096 S * 3/1999 Christensen D16/202

7,075,685 B2 * 7/2006 Chen et al. 353/119
7,077,528 B1 * 7/2006 Bowron et al. 353/119
7,633,654 B2 * 12/2009 Morichika 358/474

OTHER PUBLICATIONS

Design U.S. Appl. No. 29/433,236, by Beaujean Georges, filed Sep. 27, 2012.

Design U.S. Appl. No. 29/435,681, by Beaujean Georges, filed Oct. 26, 2012.

* cited by examiner

Primary Examiner — Wan Laymon

(74) *Attorney, Agent, or Firm* — RatnerPrestia

(57) **CLAIM**

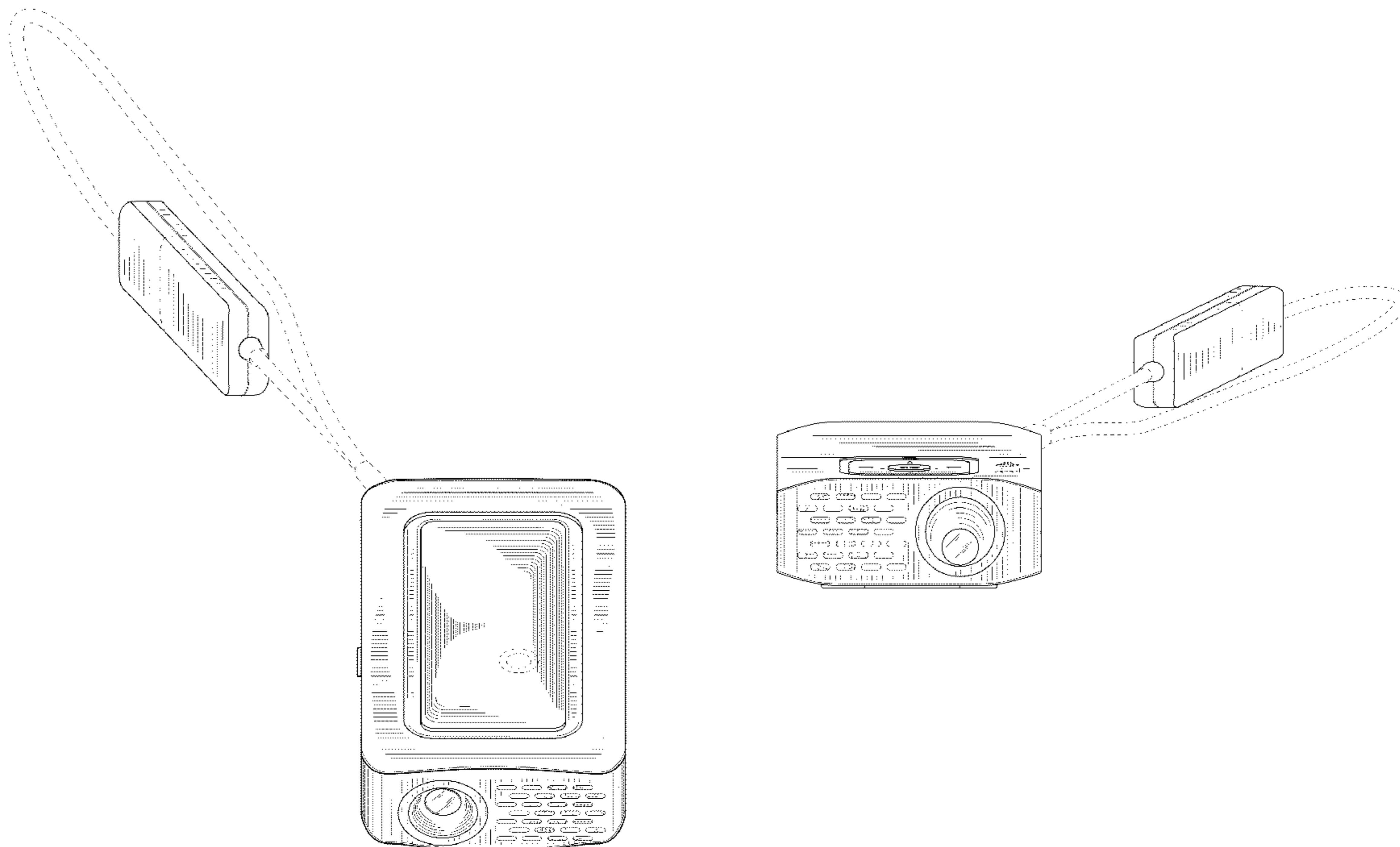
The ornamental design for a projector, as shown and described.

DESCRIPTION

FIG. 1 is a reduced scale front elevation view of a projector; FIG. 2 is a reduced scale rear elevation view thereof; FIG. 3 is a left side elevation view thereof; FIG. 4 is a right side elevation view thereof; FIG. 5 is a top plan view thereof; and, FIG. 6 is a bottom plan view thereof. FIG. 7 is a reduced scale bottom and front perspective view thereof; and, FIG. 8 is a reduced scale top and front perspective view thereof.

The broken lines shown in the figures represent portions of the projector that form no part of the claimed design.

1 Claim, 6 Drawing Sheets



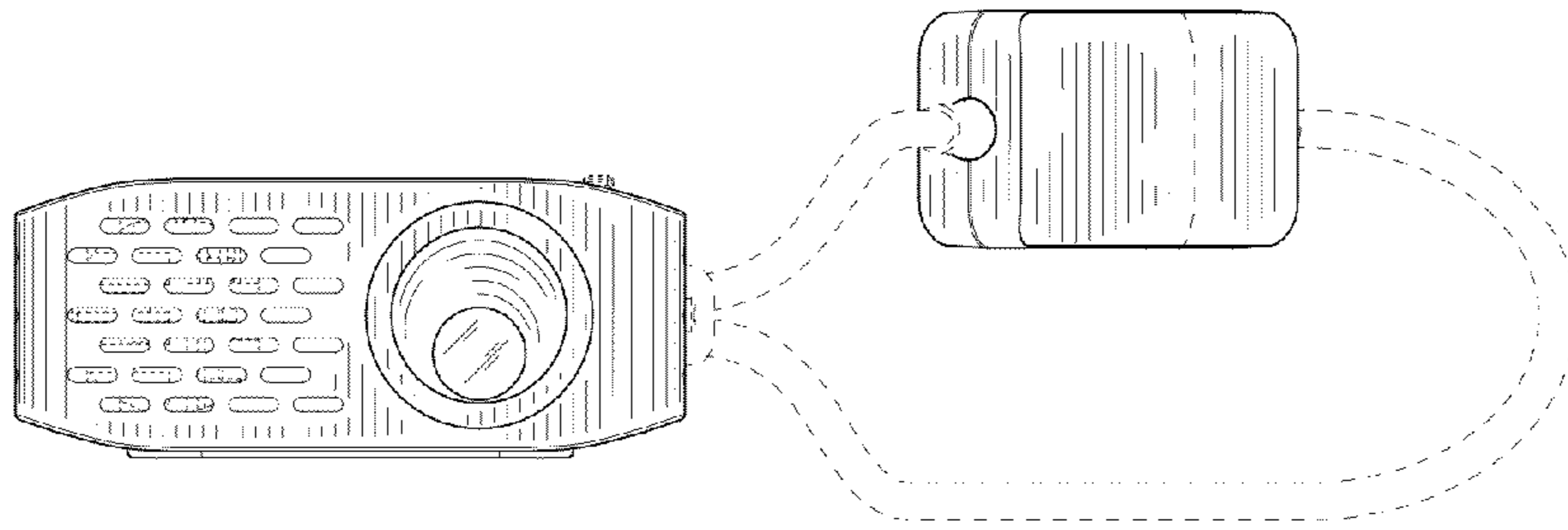


FIG. 1

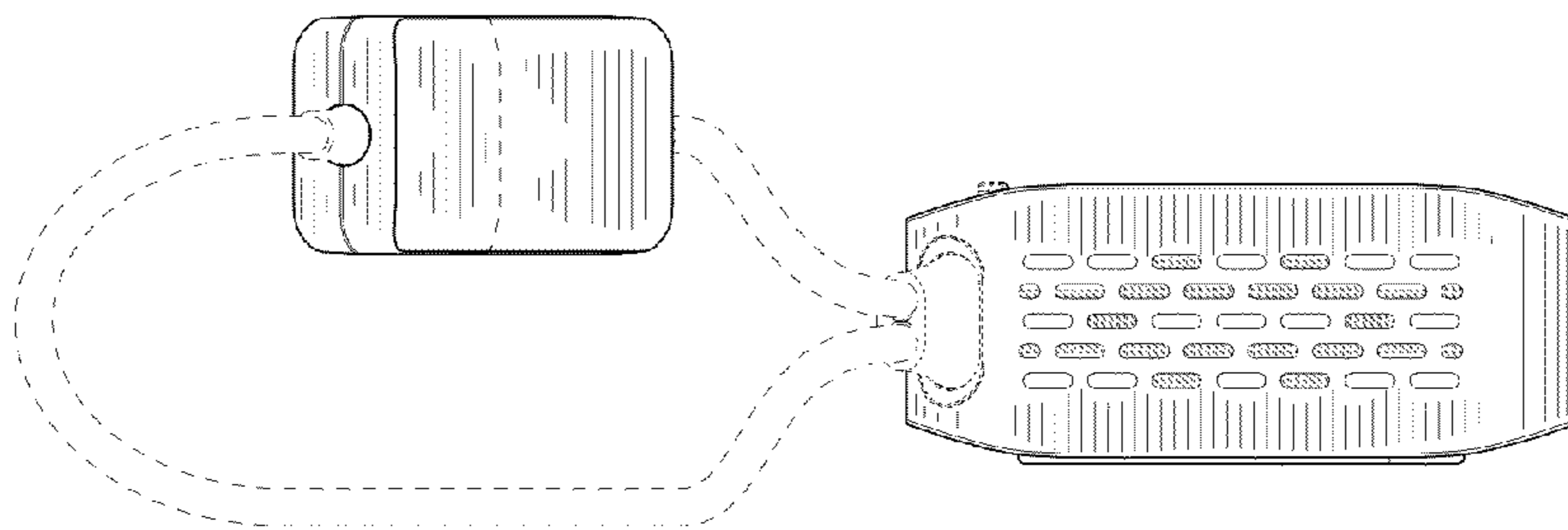


FIG. 2

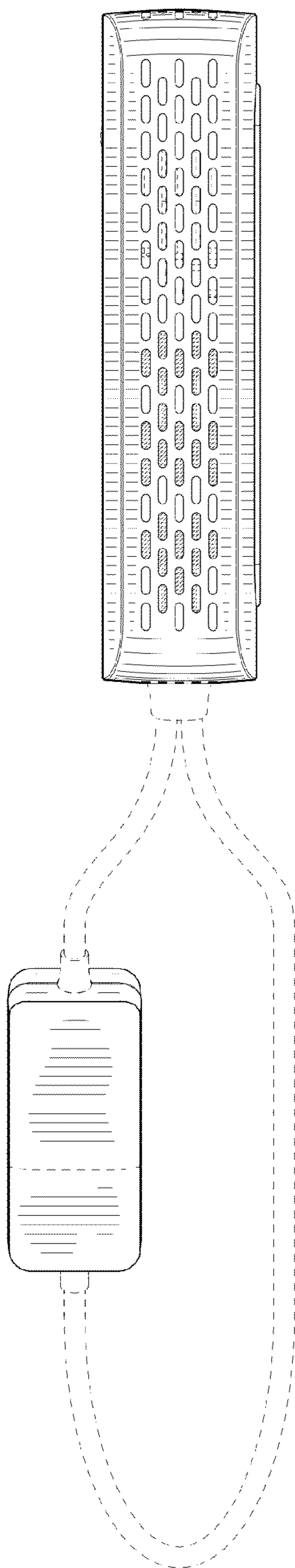


FIG. 3

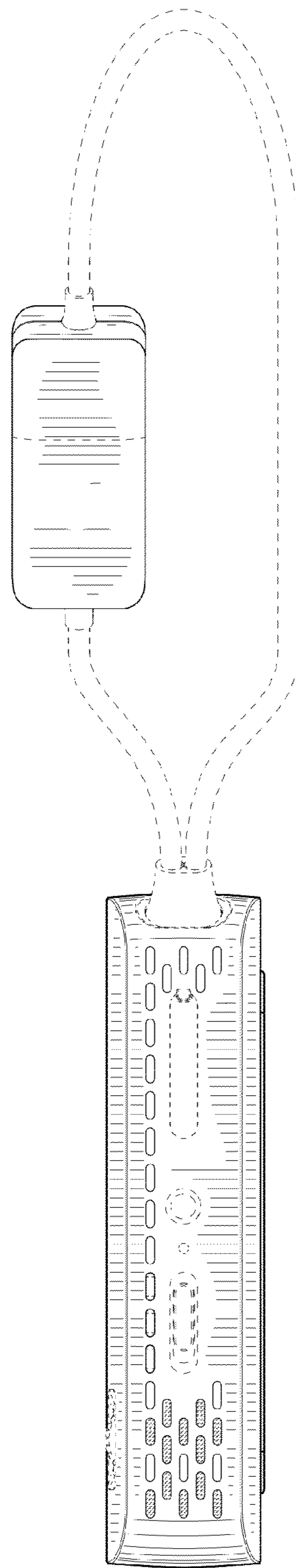


FIG. 4

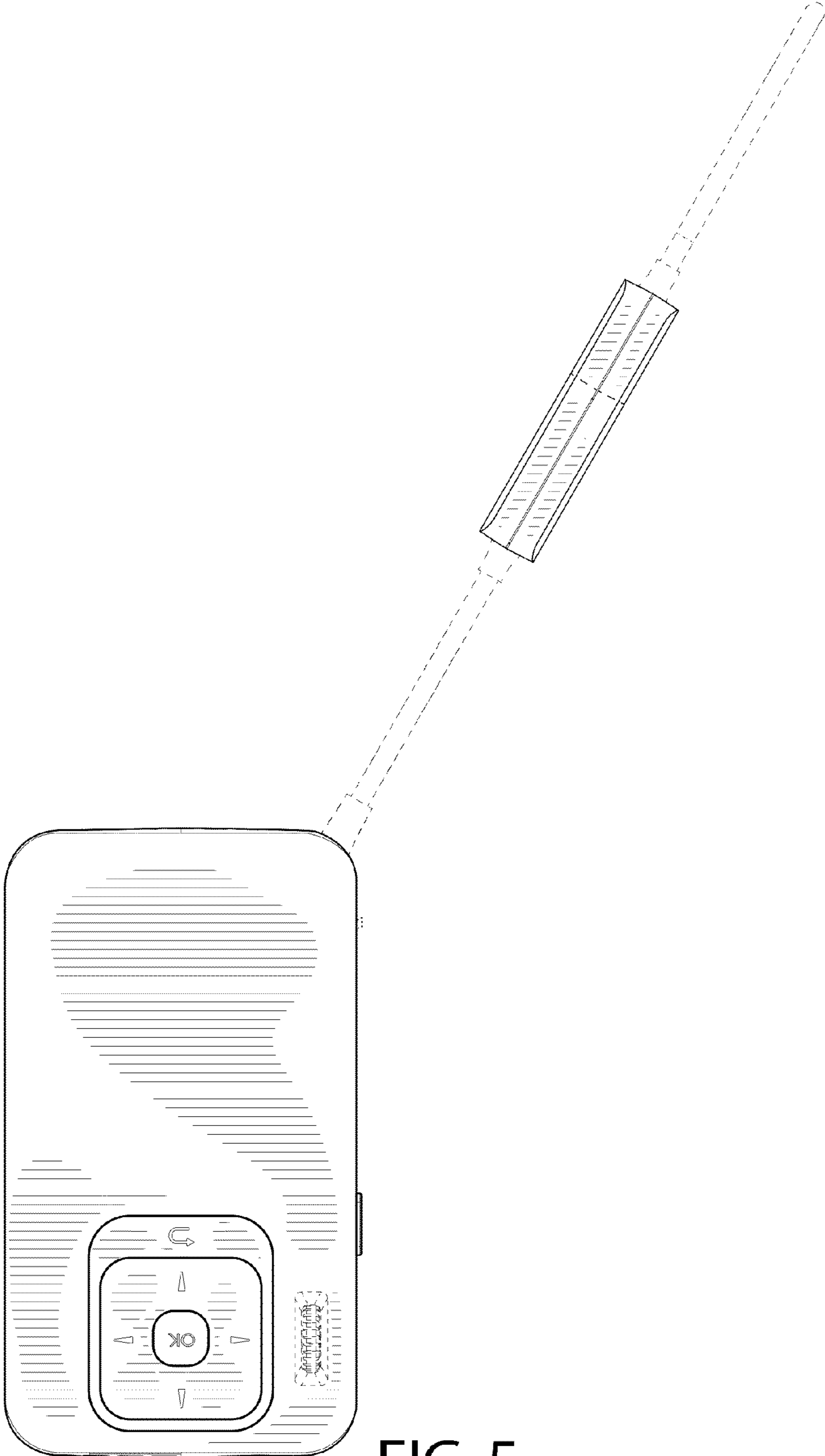


FIG. 5

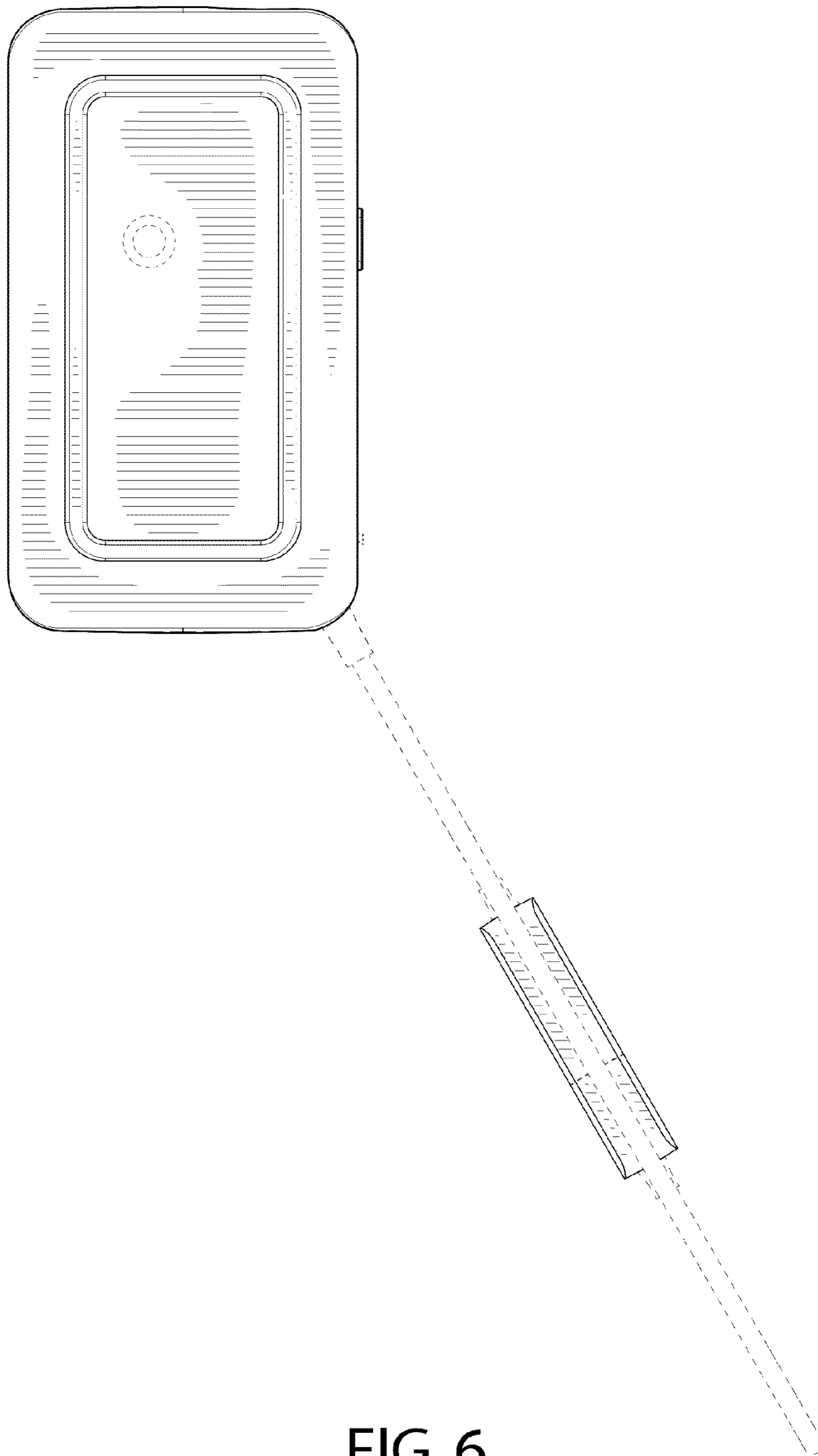


FIG. 6

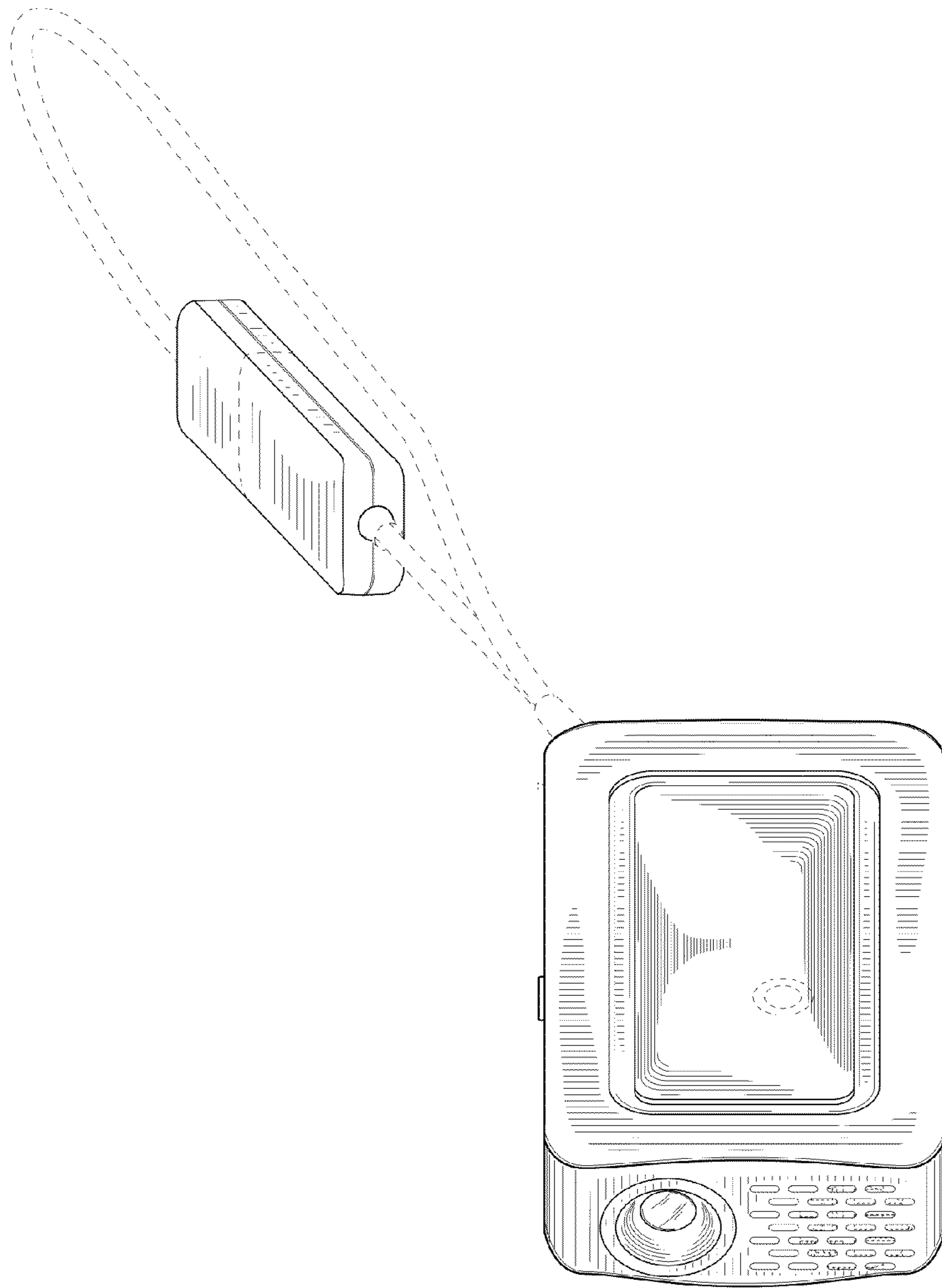


FIG. 7

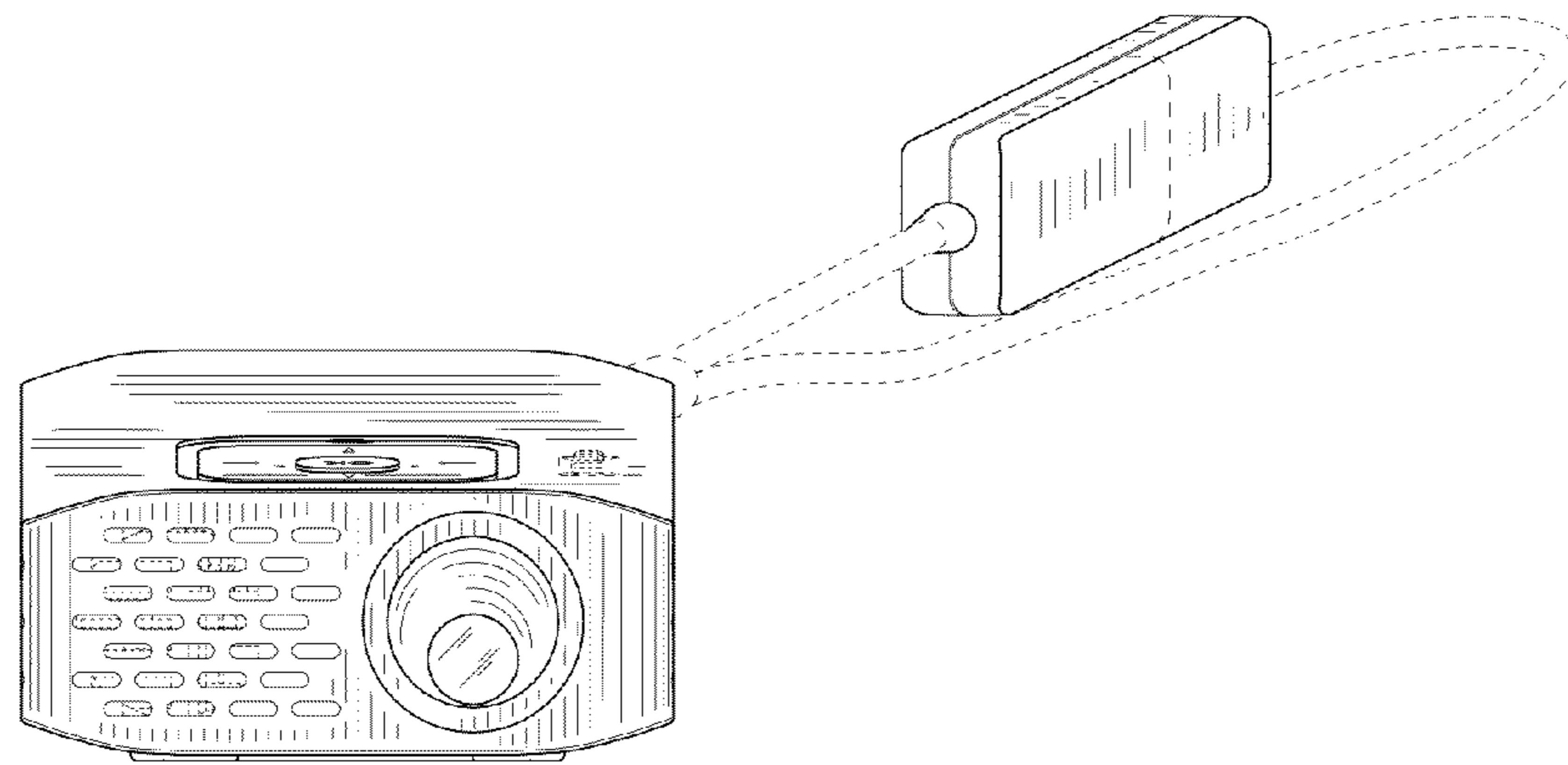


FIG. 8