



US00D700924S

(12) **United States Design Patent**
Sasaki

(10) **Patent No.:** **US D700,924 S**
(45) **Date of Patent:** **** Mar. 11, 2014**

- (54) **DIGITAL CAMERA**
- (71) Applicant: **Panasonic Corporation**, Osaka (JP)
- (72) Inventor: **Atsushi Sasaki**, Hyogo (JP)
- (73) Assignee: **Panasonic Corporation**, Osaka (JP)
- (**) Term: **14 Years**
- (21) Appl. No.: **29/444,619**
- (22) Filed: **Feb. 1, 2013**
- (30) **Foreign Application Priority Data**

D663,341 S * 7/2012 Kwon D16/202
 D669,514 S * 10/2012 Ham D16/202
 D669,929 S * 10/2012 Jang et al. D16/202

FOREIGN PATENT DOCUMENTS

JP D1405685 1/2011

* cited by examiner

Primary Examiner — Adir Aronovich

(74) *Attorney, Agent, or Firm* — Panasonic Patent Center

(57) **CLAIM**

I claim the ornamental design for a digital camera, as shown and described.

DESCRIPTION

FIG. 1 is a front, top and right side prospective view of a digital camera of the present invention;
 FIG. 2 is a front elevational view thereof;
 FIG. 3 is a rear elevational view thereof;
 FIG. 4 is a left side elevational view thereof;
 FIG. 5 is a right side elevational view thereof;
 FIG. 6 is top plan view thereof; and,
 FIG. 7 is bottom plan view thereof.

The broken line showing of digital camera is included for the purpose of illustrating environment and forms no part of the claimed design. Additionally, the dash-dot broken lines in the drawings define the bounds of the claimed design and form no part thereof.

1 Claim, 7 Drawing Sheets

- Dec. 12, 2012 (JP) 2012-030354
- (51) **LOC (10) Cl.** **16-01**
- (52) **U.S. Cl.**
USPC **D16/202**
- (58) **Field of Classification Search**
USPC D16/200, 202, 204, 208, 218;
348/373-376; 358/909.1; 396/535-541
See application file for complete search history.

(56) **References Cited**

U.S. PATENT DOCUMENTS

7,646,426 B2 * 1/2010 Saiki et al. 348/373
 D633,542 S * 3/2011 Tajima D16/202
 D660,337 S * 5/2012 Hwang D16/202

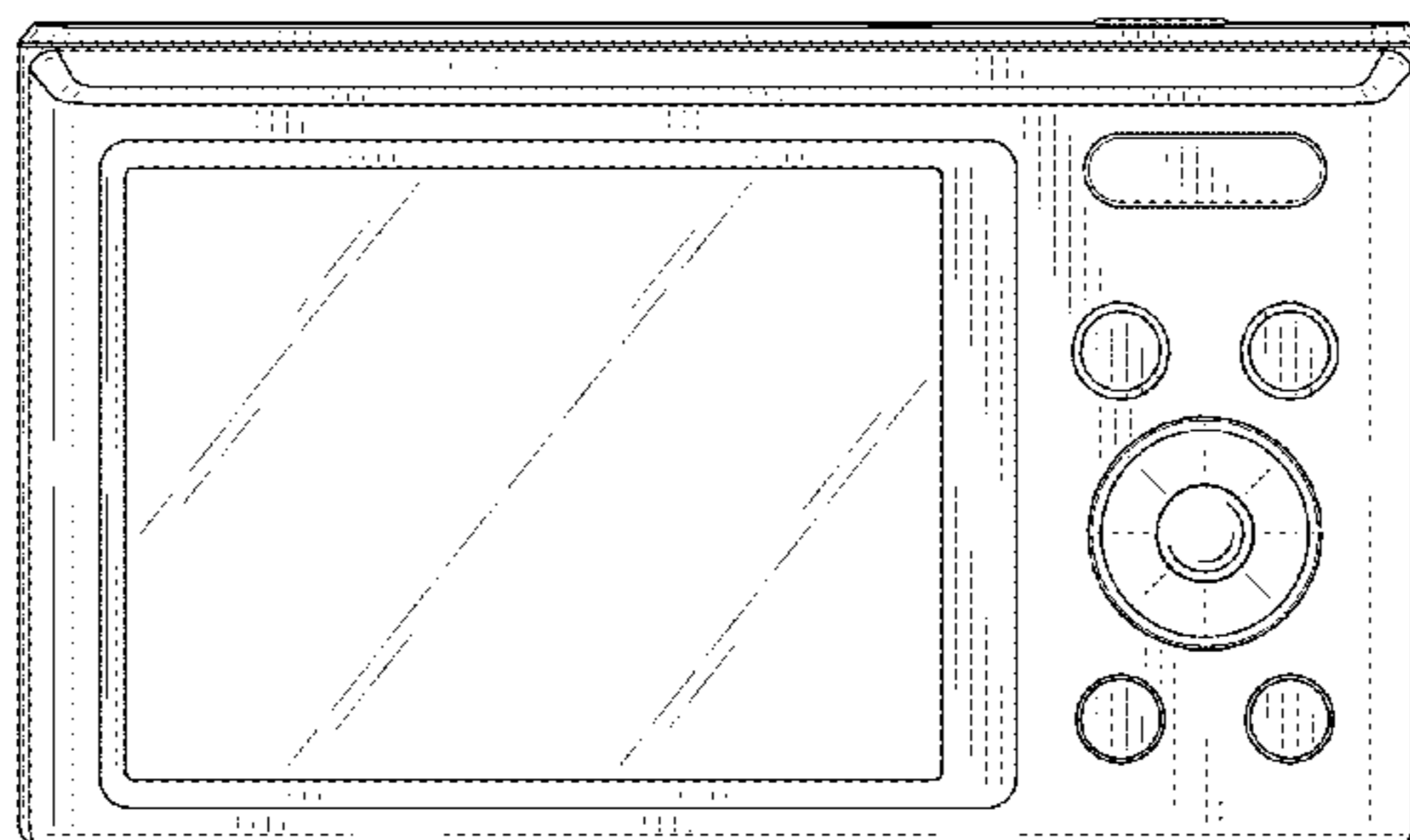
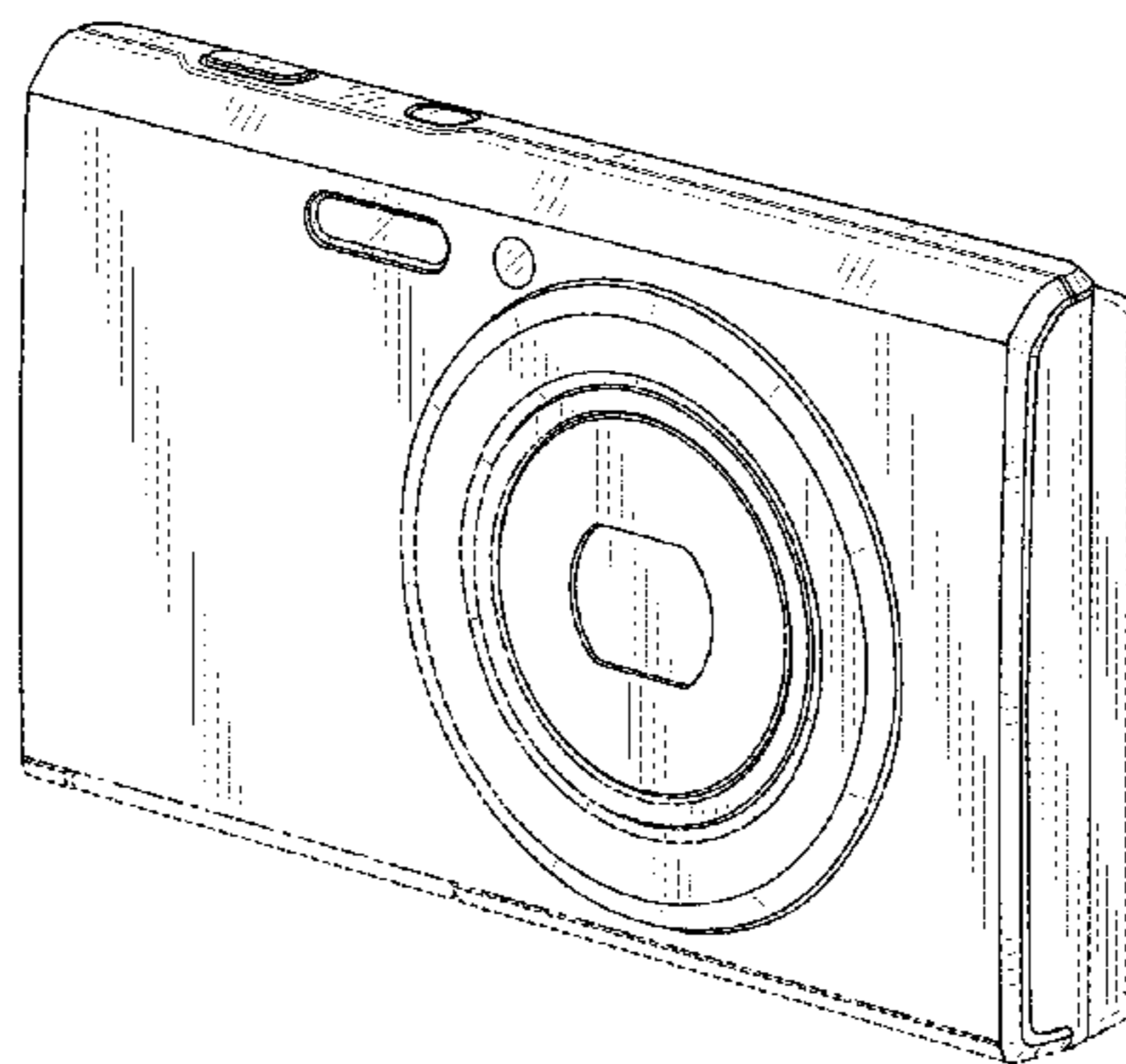


FIG. 1

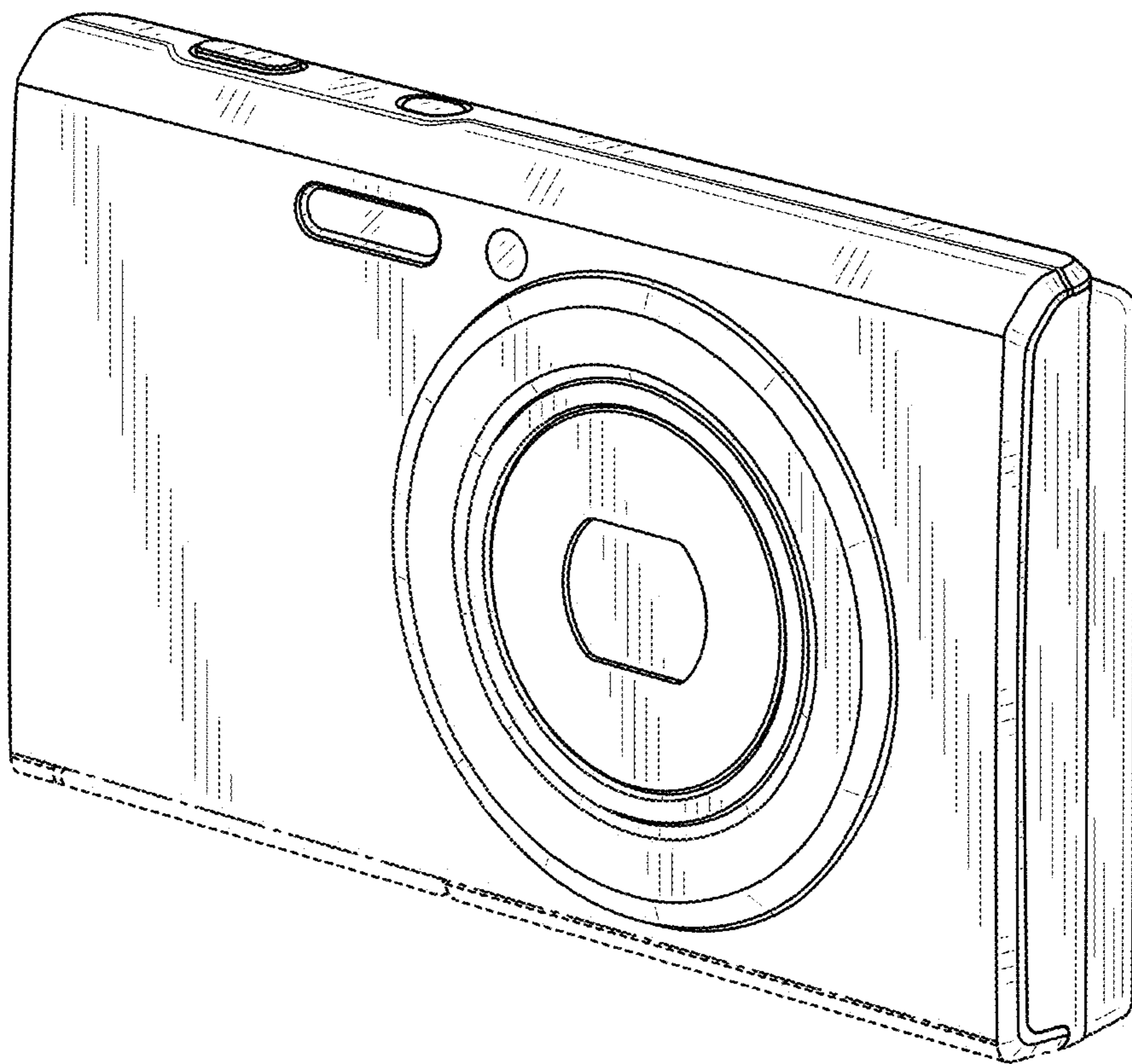


FIG. 2

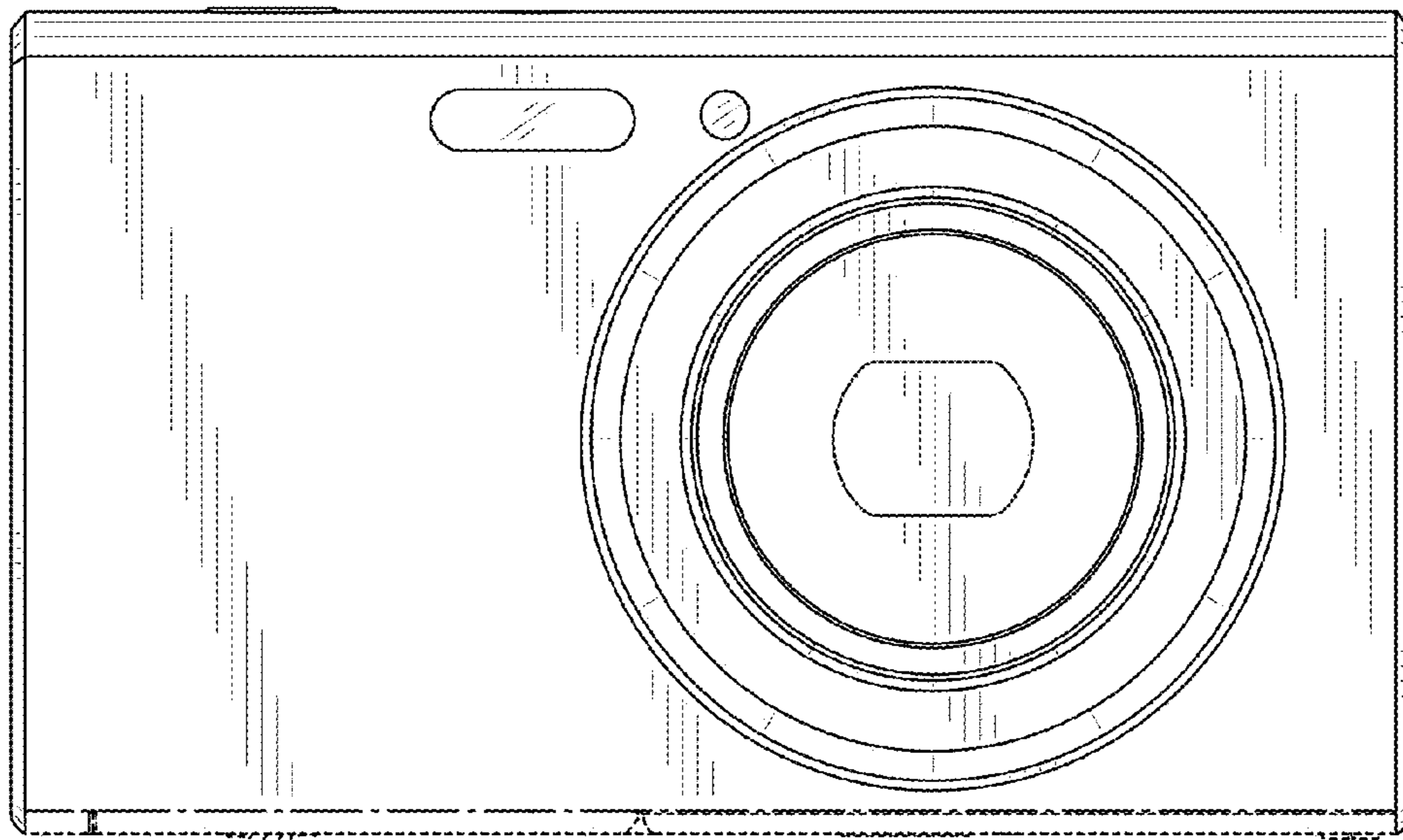


FIG. 3

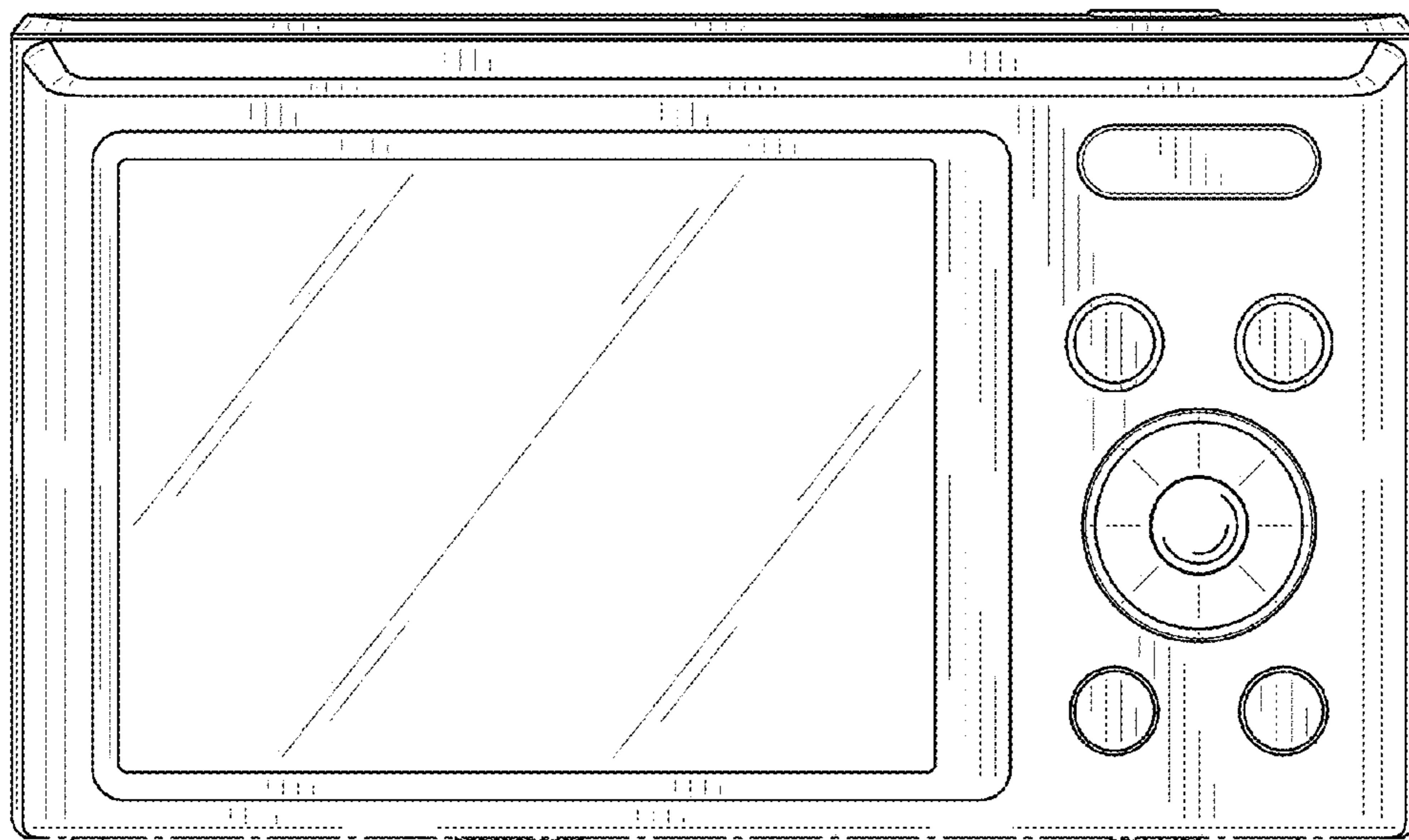


FIG. 4

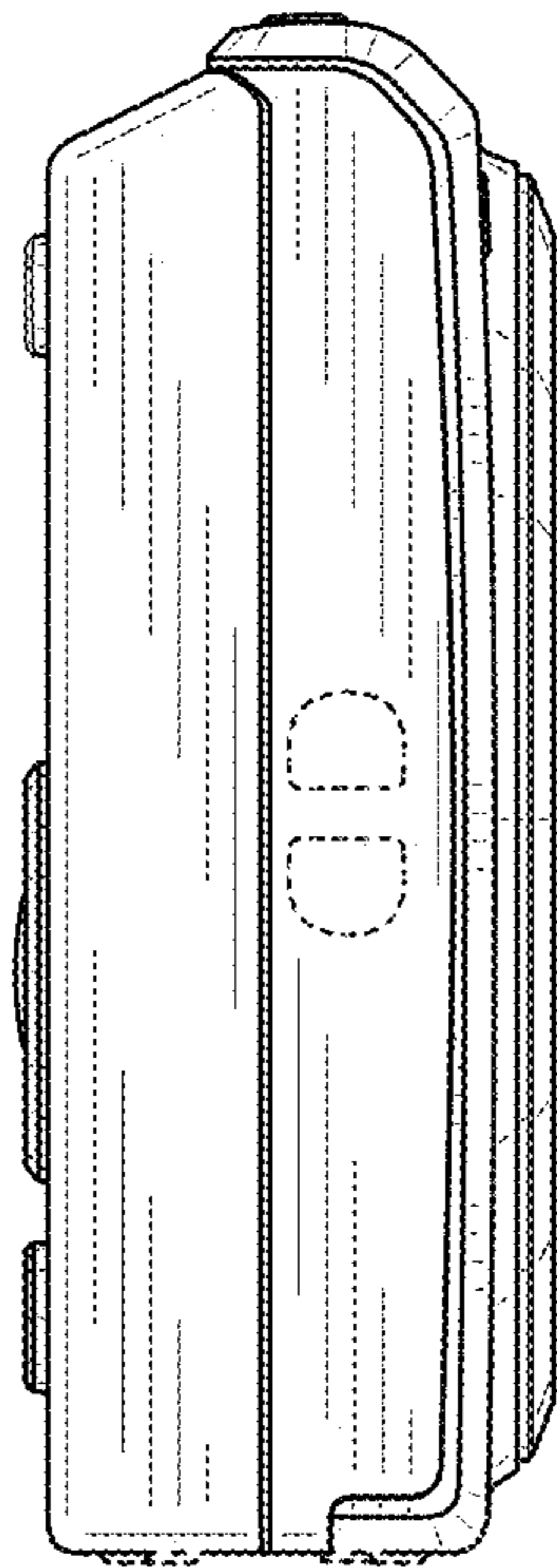


FIG. 5

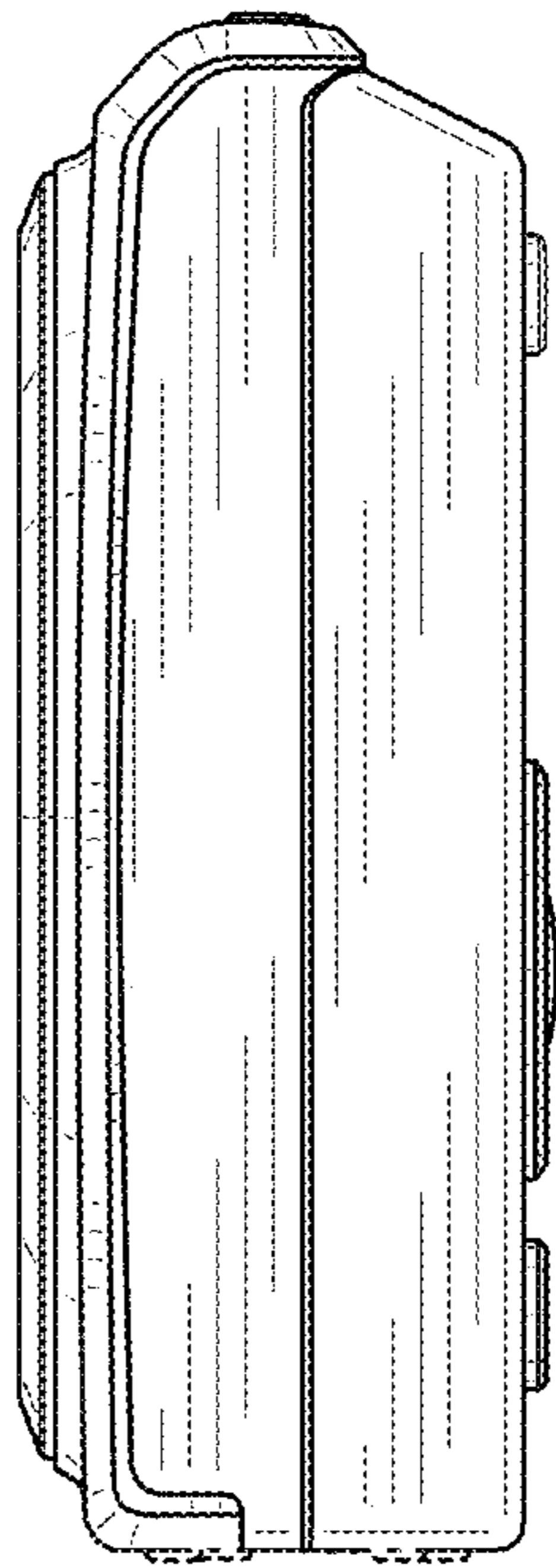


FIG. 6

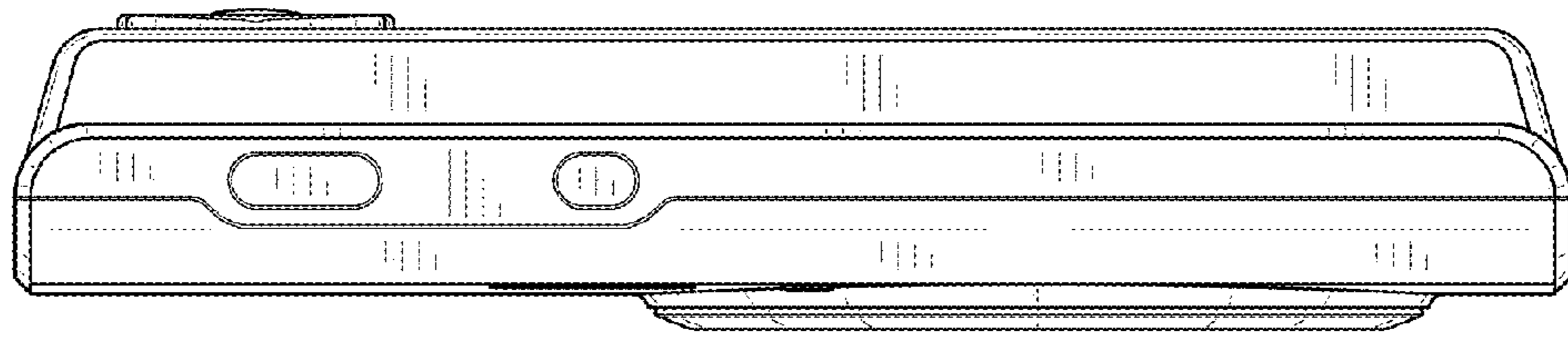


FIG. 7

