



US00D700923S

(12) **United States Design Patent**  
**Lin et al.**

(10) **Patent No.:** **US D700,923 S**  
(45) **Date of Patent:** **\*\* Mar. 11, 2014**

(54) **ACTUATOR**

(71) Applicant: **Timotion Technology Co., Ltd.**, New Taipei (TW)

(72) Inventors: **Yi-Ching Lin**, New Taipei (TW);  
**Yi-Chun Chen**, New Taipei (TW)

(73) Assignee: **Timotion Technology Co., Ltd.**, New Taipei (TW)

(\*\*) Term: **14 Years**

(21) Appl. No.: **29/471,048**

(22) Filed: **Oct. 28, 2013**

(51) **LOC (10) Cl.** ..... **15-09**

(52) **U.S. Cl.**  
USPC ..... **D15/143; D15/199**

(58) **Field of Classification Search**  
USPC ..... D13/118, 158, 162, 184; D15/1-5, 7, 9,  
D15/143, 148, 149, 199; 74/89.15, 90.15,  
74/411.5, 411, 54, 490.09; 297/14, 325,  
297/327; 310/10, 12, 15, 20, 20.8, 80, 300  
See application file for complete search history.

(56) **References Cited**

**U.S. PATENT DOCUMENTS**

D289,164 S \* 4/1987 Carr ..... D14/231  
D353,132 S \* 12/1994 Tinkham ..... D13/174  
D400,967 S \* 11/1998 Schreiner et al. .... D23/233

D467,950 S \* 12/2002 Christensen et al. .... D15/199  
D497,620 S \* 10/2004 Morton ..... D15/7  
D513,022 S \* 12/2005 Moe ..... D15/148  
D572,281 S \* 7/2008 Wei et al. .... D15/143  
D620,961 S \* 8/2010 Iversen ..... D15/143  
D686,257 S \* 7/2013 Wu ..... D15/143  
D695,799 S \* 12/2013 Landerholm ..... D15/143  
2008/0024015 A1 \* 1/2008 Tanioka et al. .... 310/14

\* cited by examiner

*Primary Examiner* — Patricia Palasik

(74) *Attorney, Agent, or Firm* — Chun-Ming Shih; HDLS IPR Services

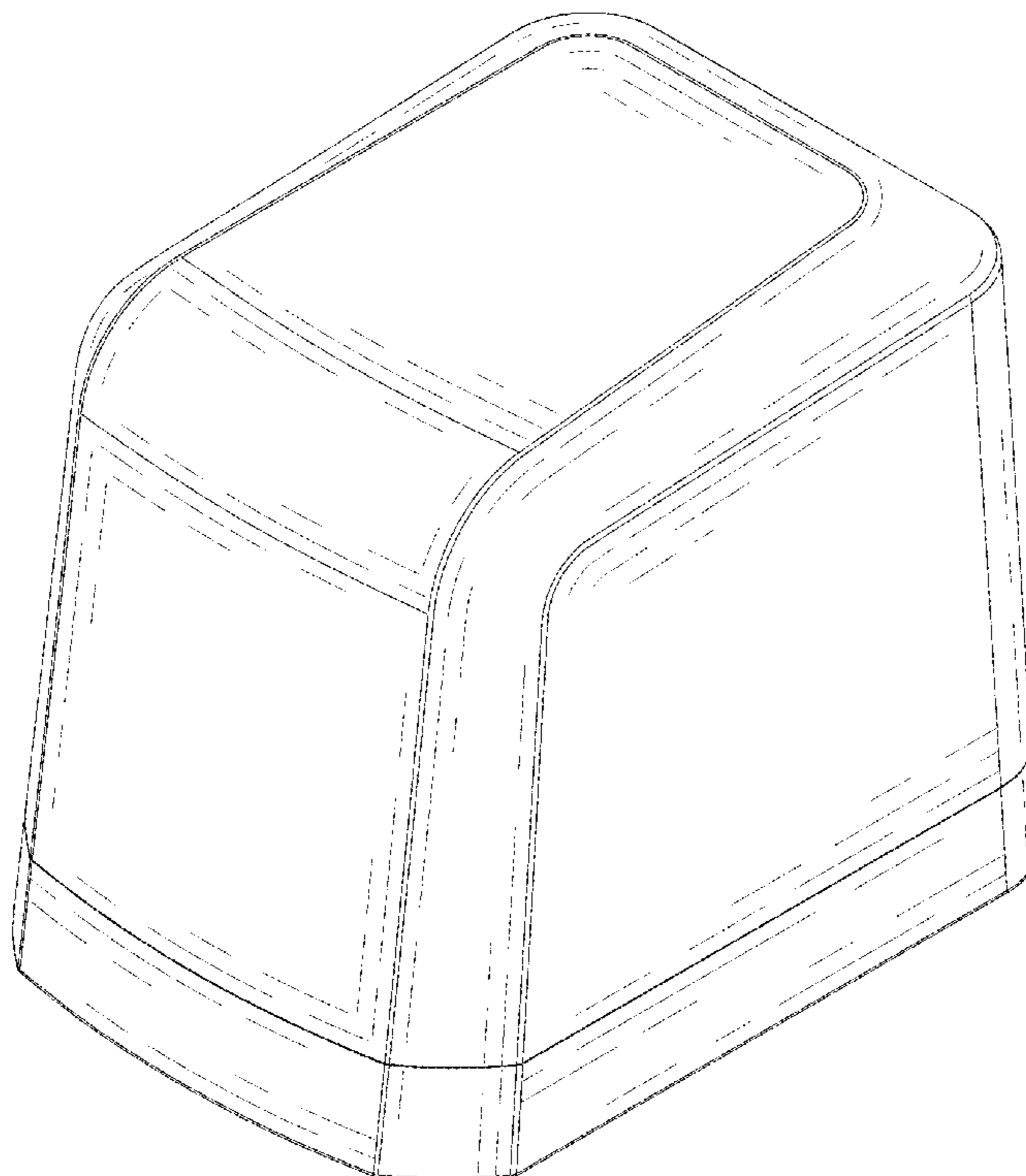
(57) **CLAIM**

The ornamental design for an actuator, as shown and described.

**DESCRIPTION**

FIG. 1 is a perspective view of an actuator showing my new design;  
FIG. 2 is a front view thereof;  
FIG. 3 is a rear view thereof;  
FIG. 4 is a left side view thereof;  
FIG. 5 is a right side view thereof;  
FIG. 6 is a top view thereof;  
FIG. 7 is a bottom view thereof; and  
FIG. 8 is another perspective view showing the actuator; and,  
FIG. 9 is a perspective view of the actuator for reference.  
The broken lines shown represent unclaimed subject matter and form no part of the claimed design.

**1 Claim, 9 Drawing Sheets**



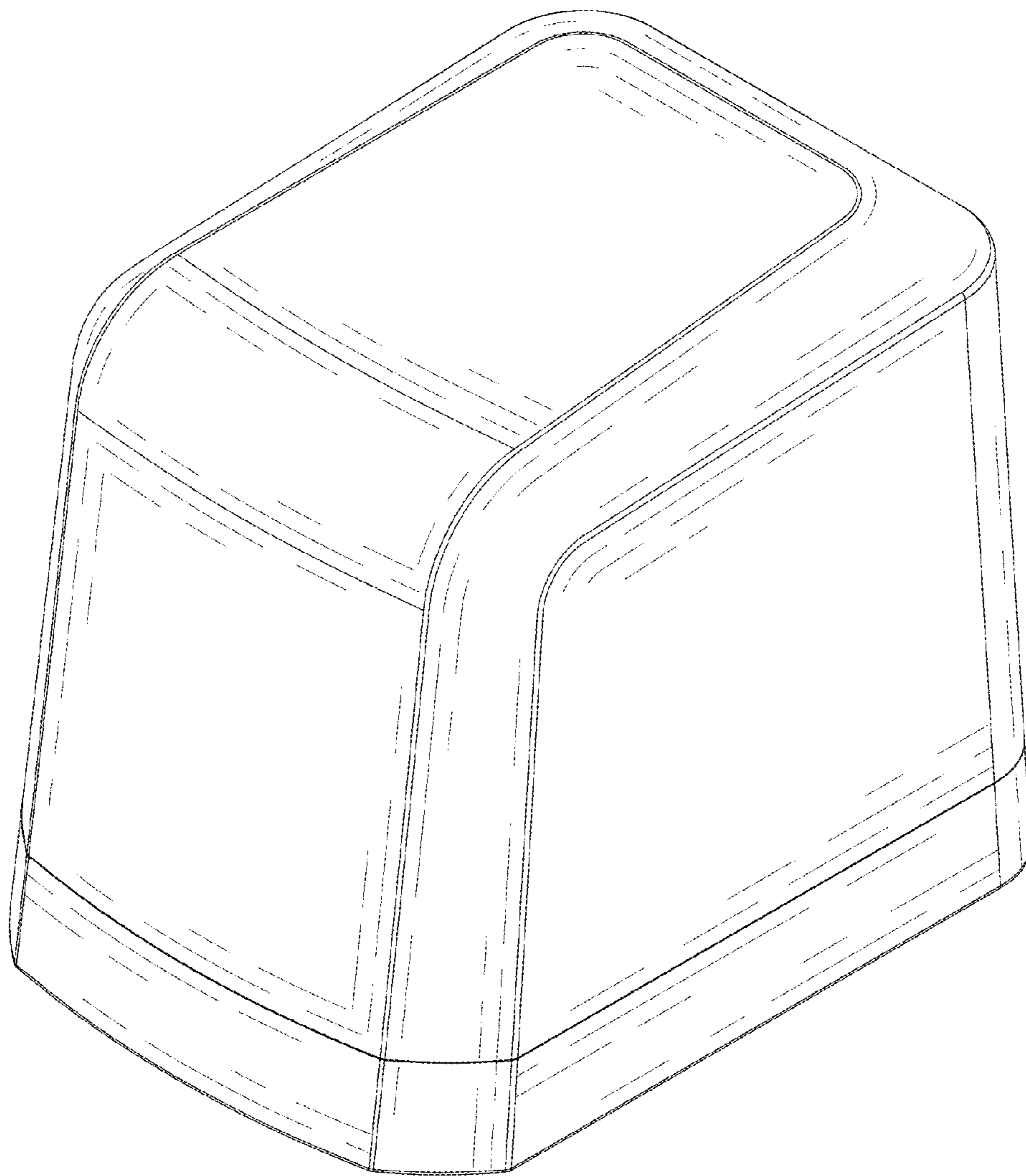


FIG.1

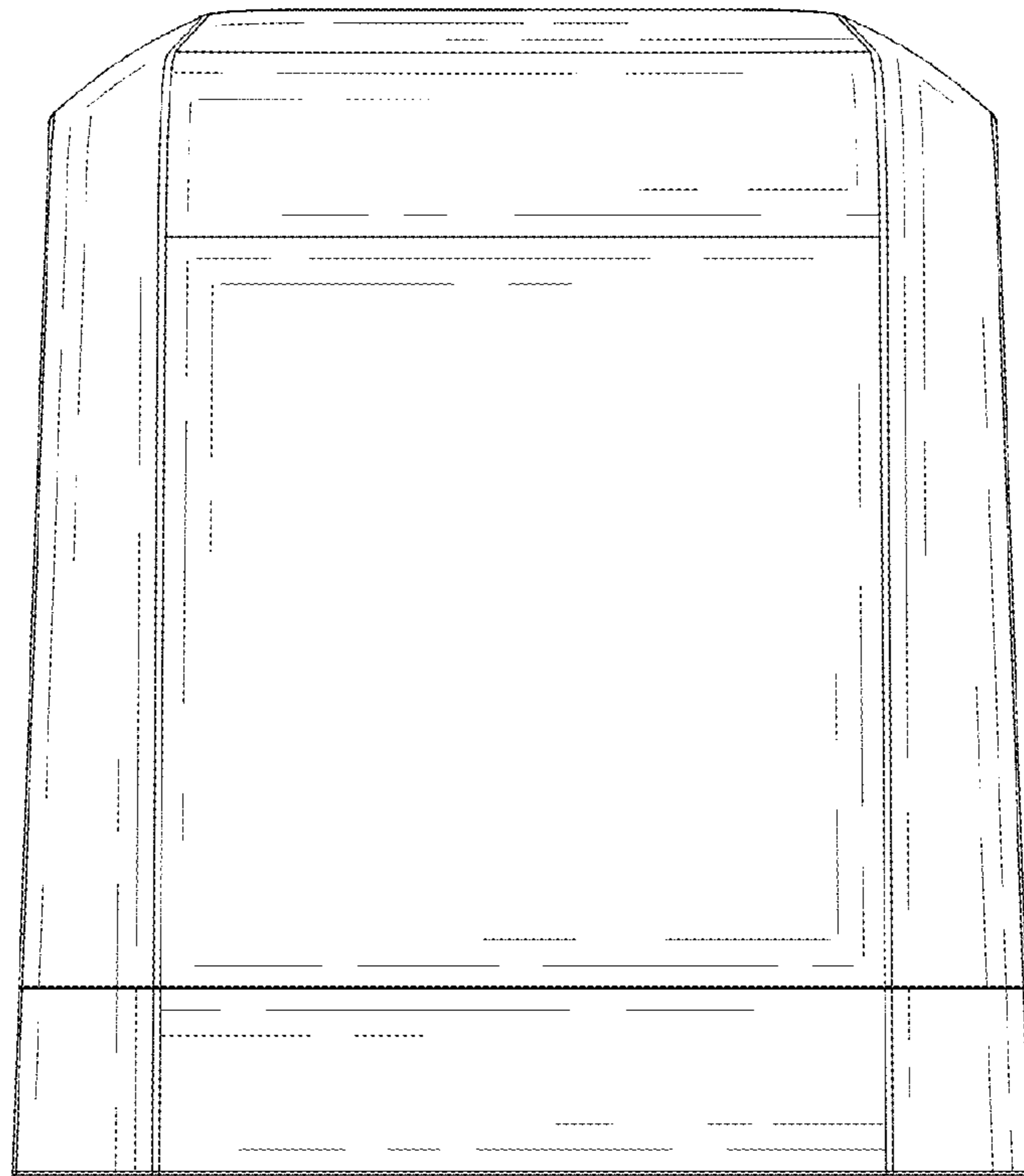


FIG.2

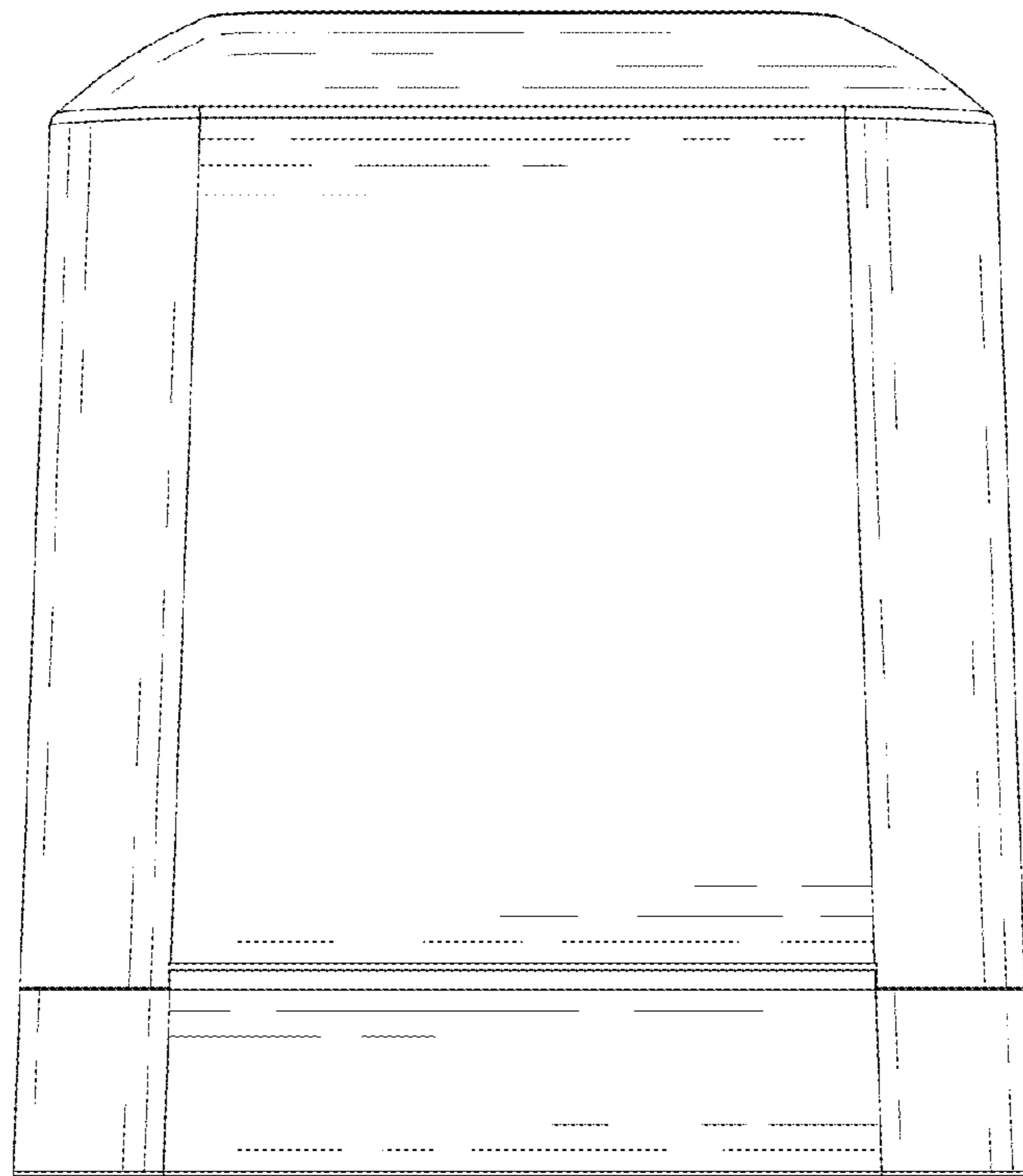


FIG.3

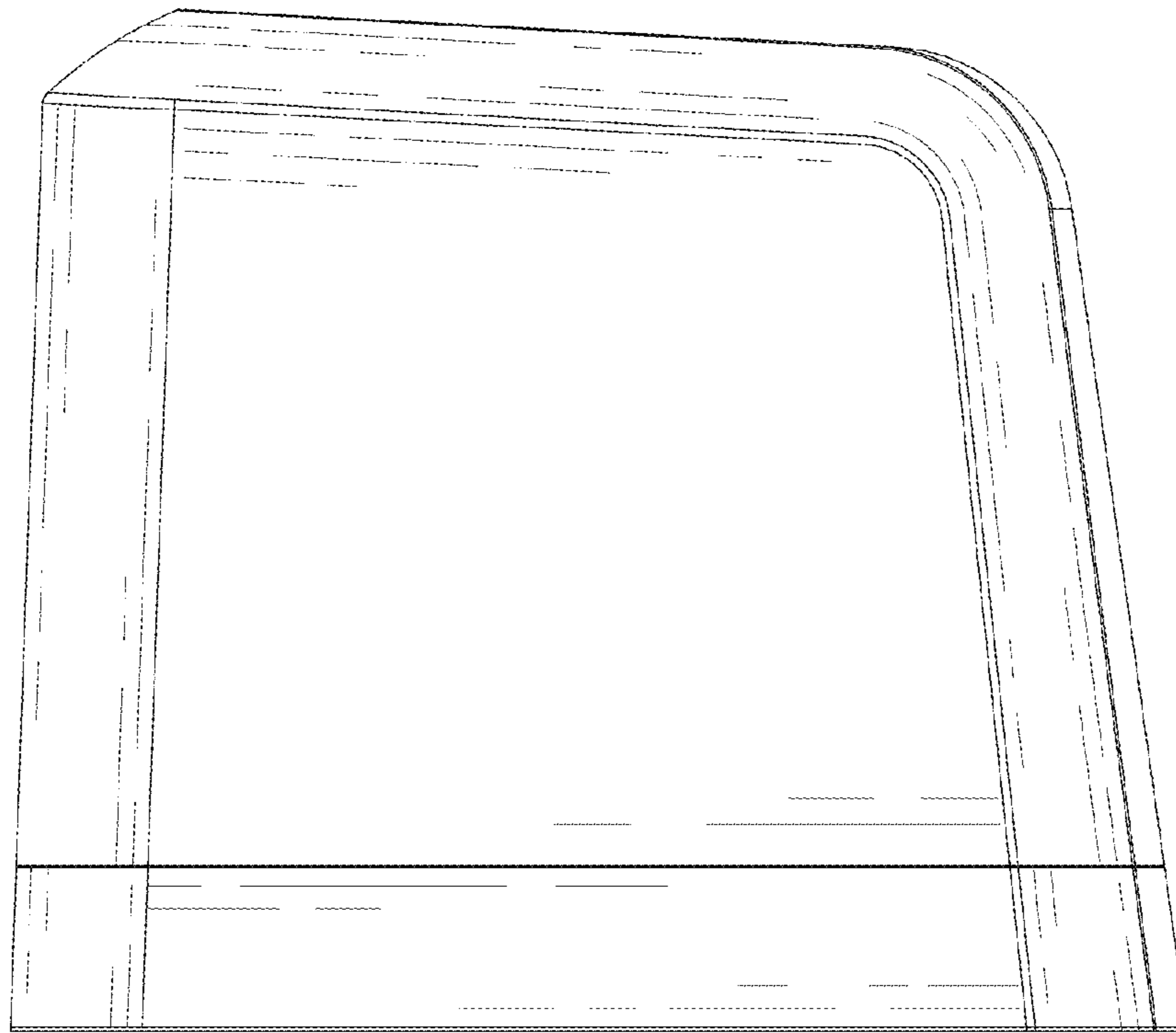


FIG.4

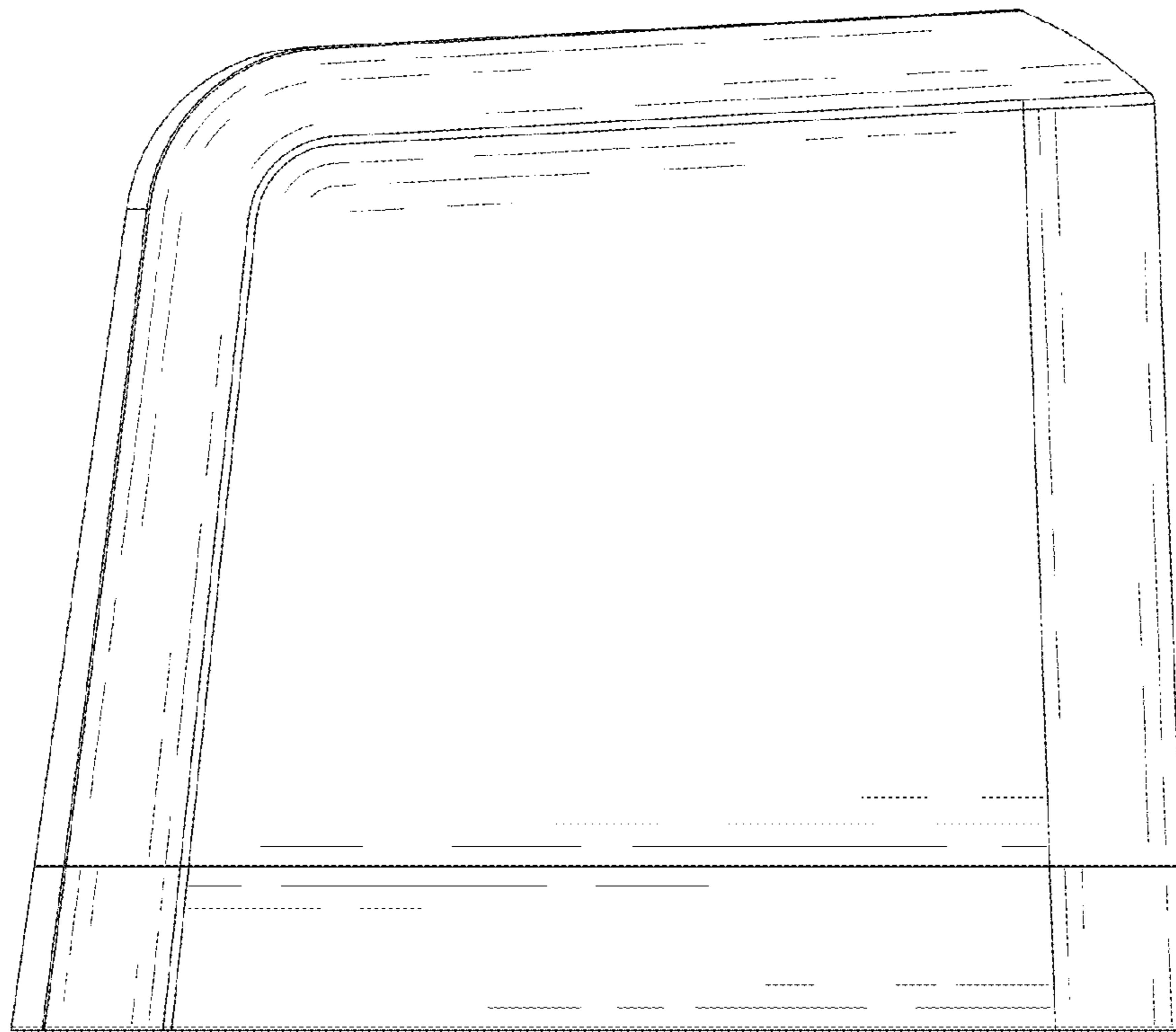


FIG.5

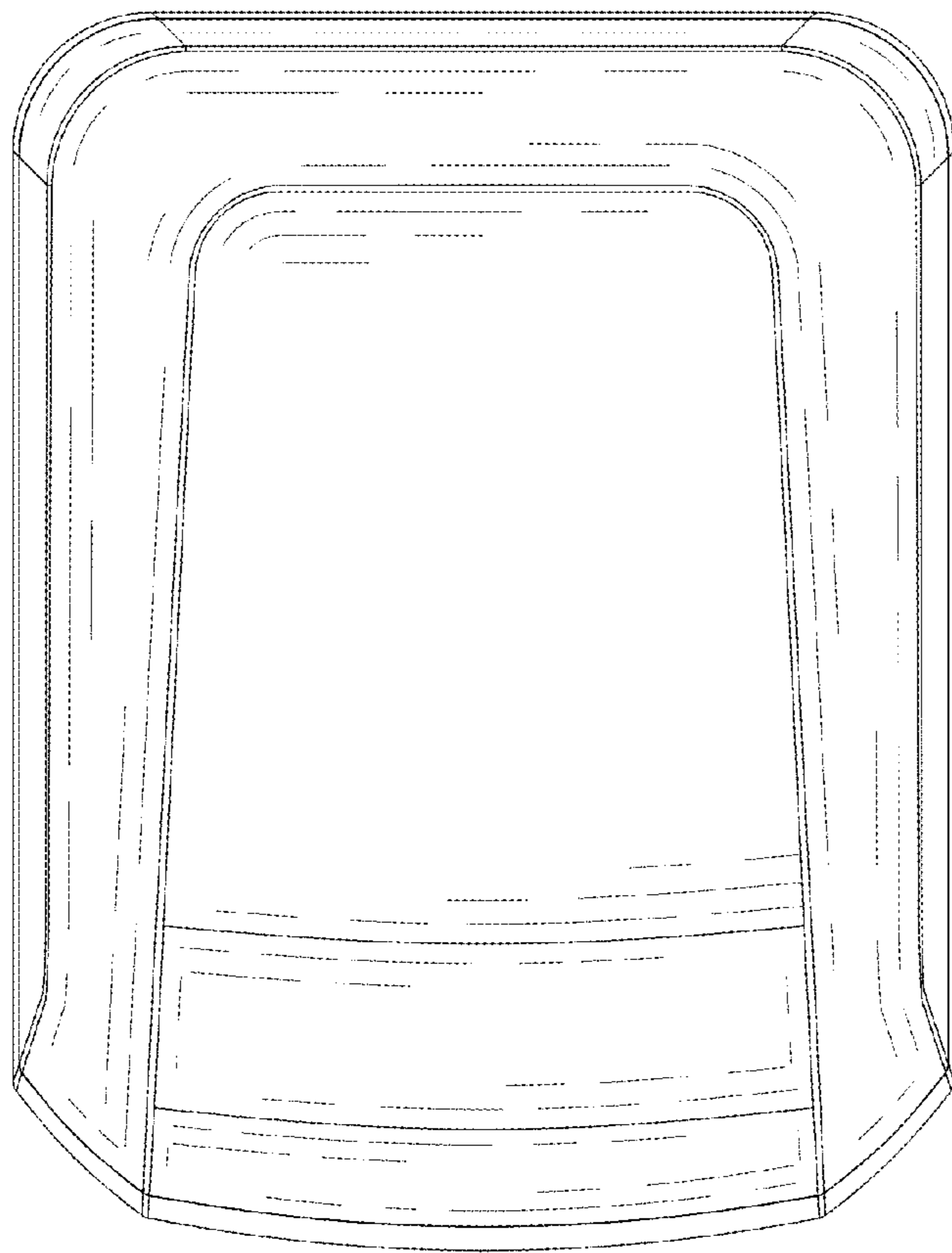


FIG. 6

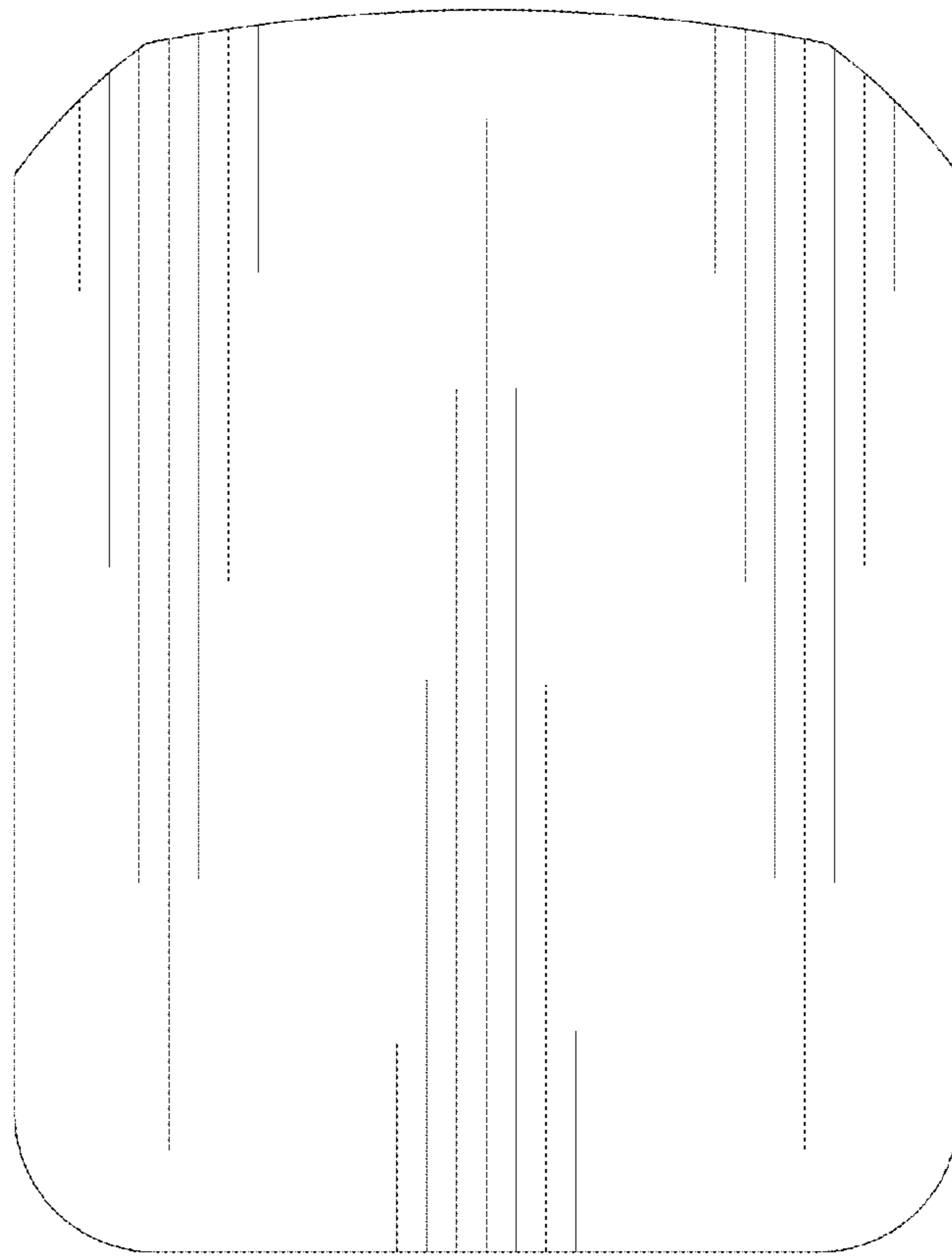


FIG. 7



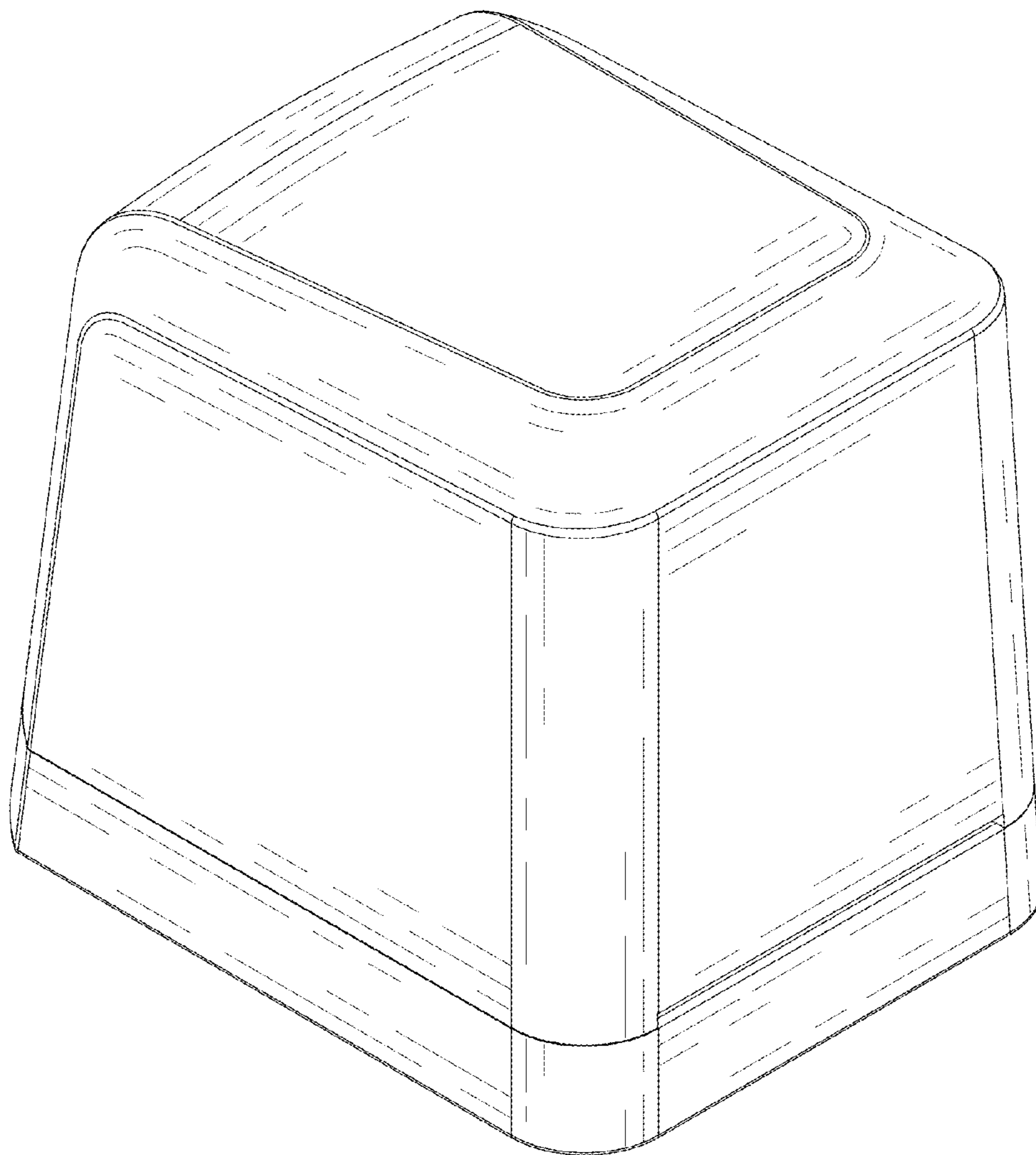


FIG.8

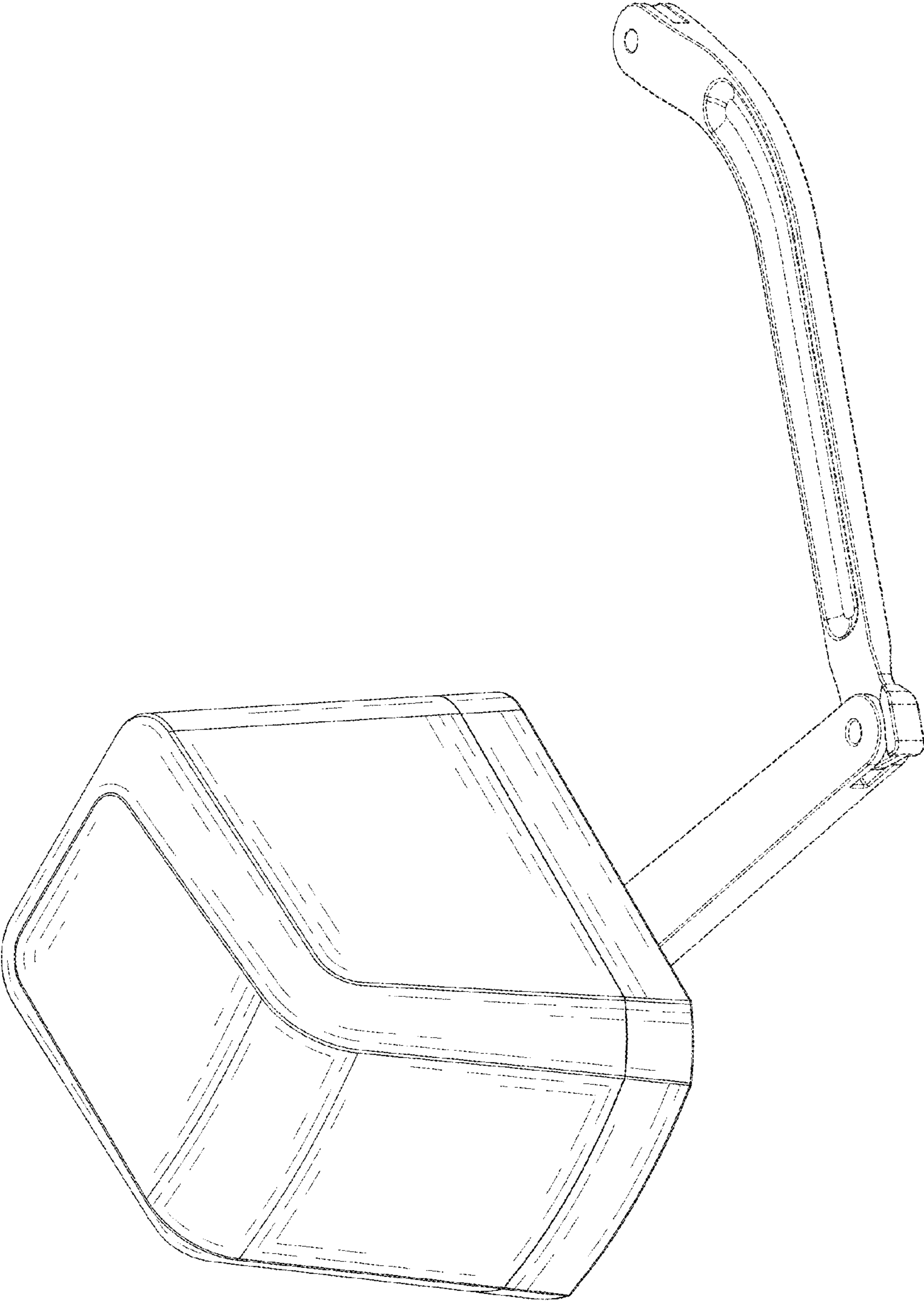


FIG.9