



US00D700922S

(12) **United States Design Patent**
Burca

(10) **Patent No.:** **US D700,922 S**
(45) **Date of Patent:** **** Mar. 11, 2014**

(54) **OVERBURDEN PILOT BIT**

(71) Applicant: **Dennis Burca**, Calgary (CA)

(72) Inventor: **Dennis Burca**, Calgary (CA)

(**) Term: **14 Years**

(21) Appl. No.: **29/465,221**

(22) Filed: **Aug. 26, 2013**

(51) **LOC (10) Cl.** **15-09**

(52) **U.S. Cl.**
USPC **D15/139**

(58) **Field of Classification Search**
USPC D8/70; D15/21, 131, 132, 138, 139,
D15/140; 76/108; 83/54, 845; 175/336, 374,
175/377, 373, 389, 393, 400, 408, 409, 410,
175/411, 414, 415, 418, 419, 420, 420.1,
175/429, 430; 279/96, 103; 403/331, 381;
407/6-50, 53, 54, 113, 114-119;
408/56, 97, 224, 226-230; 409/66, 74,
409/131, 132, 136, 199, 200, 231
See application file for complete search history.

(56) **References Cited**

U.S. PATENT DOCUMENTS

4,076,445 A * 2/1978 Kress et al. 408/226
D382,887 S * 8/1997 Hollar et al. D15/139

D424,579 S * 5/2000 Brady D15/21
D454,143 S * 3/2002 Åsberg D15/139
D483,382 S * 12/2003 Brady D15/21
D487,753 S * 3/2004 Brady D15/21
D504,141 S * 4/2005 Charland et al. D15/139
D524,333 S * 7/2006 Brady D15/139
7,645,102 B2 * 1/2010 Nomura et al. 408/199
8,347,988 B2 * 1/2013 Gilbert et al. 175/293
D682,326 S * 5/2013 Monyak et al. D15/139
D682,898 S * 5/2013 Fujii D15/139
2010/0040425 A1 * 2/2010 Nomura et al. 408/83

* cited by examiner

Primary Examiner — Patricia Palasik

(57) **CLAIM**

The ornamental design for an overburden pilot bit, as shown and described.

DESCRIPTION

FIG. 1 is a top side perspective view of the first embodiment of my design an overburden pilot bit.
FIG. 2 is a bottom side perspective view of the overburden pilot bit shown in FIG. 1.
FIG. 3 is a side plan view of the overburden pilot bit shown in FIG. 1.
FIG. 4 is a bottom plan view of the overburden pilot bit shown in FIG. 1; and,
FIG. 5 is a top plan view of the overburden pilot bit shown in FIG. 1.
The broken lines in the drawings depict unclaimed environmental subject matter.

1 Claim, 5 Drawing Sheets

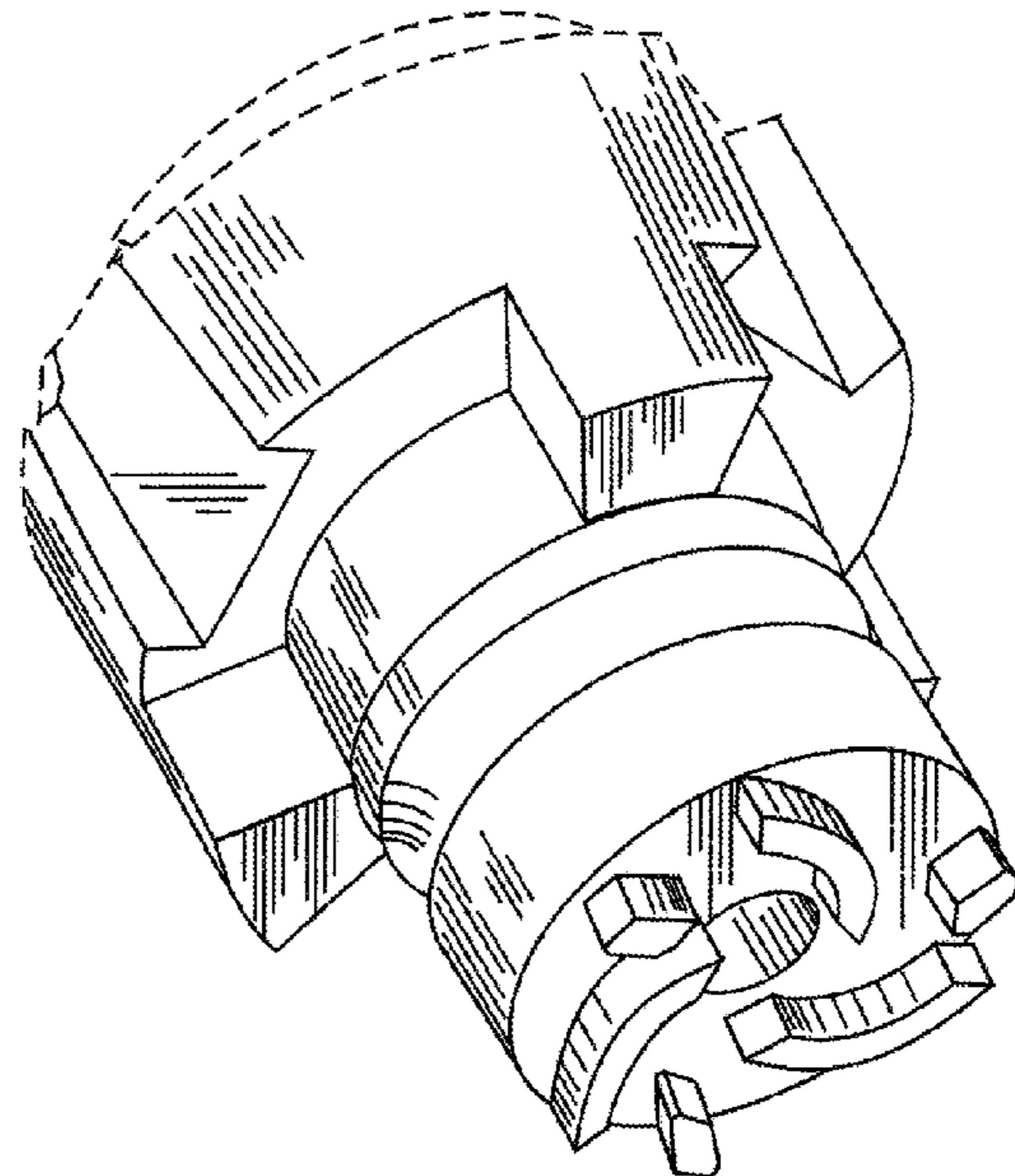
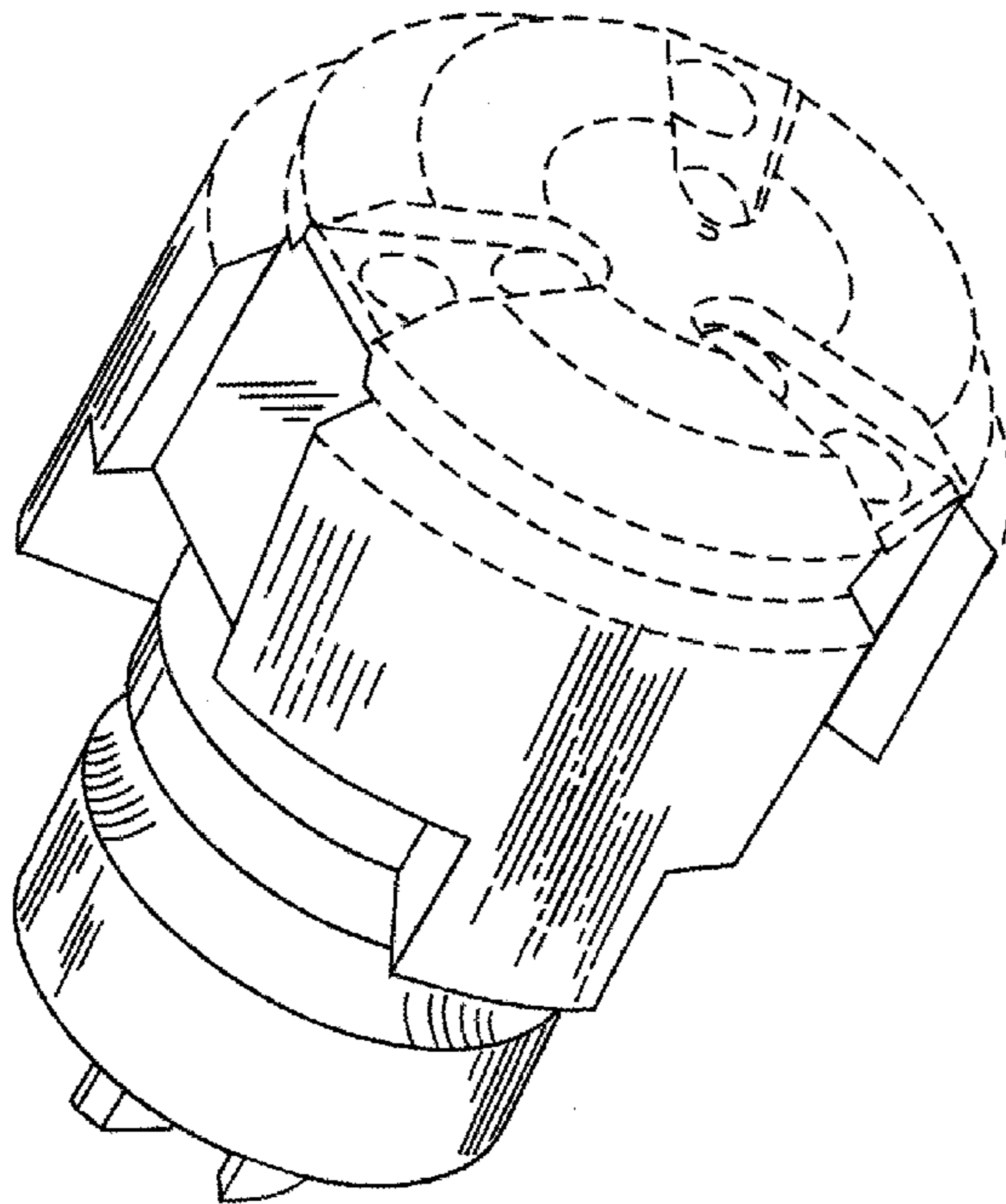


FIG. 1

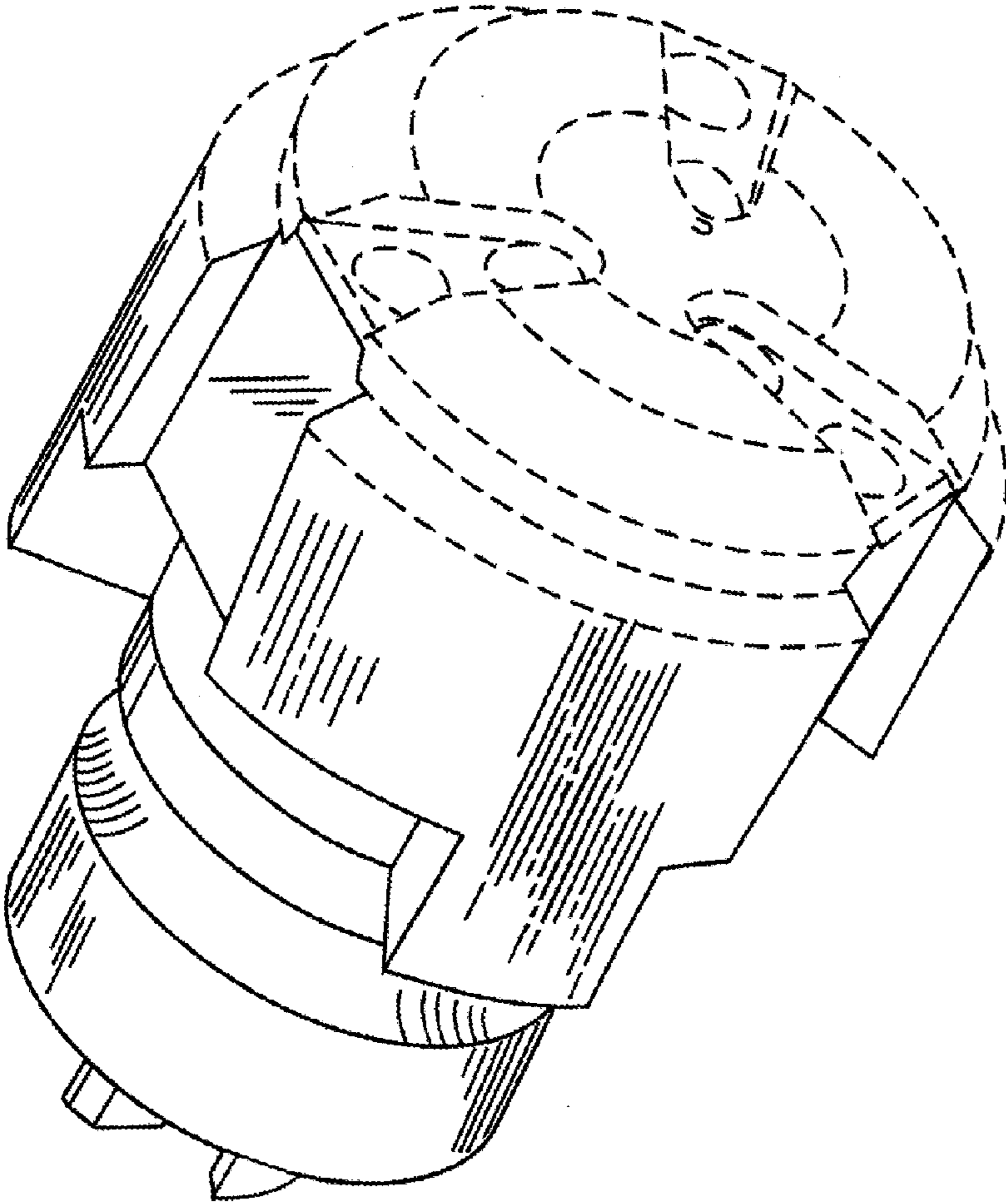


FIG. 2

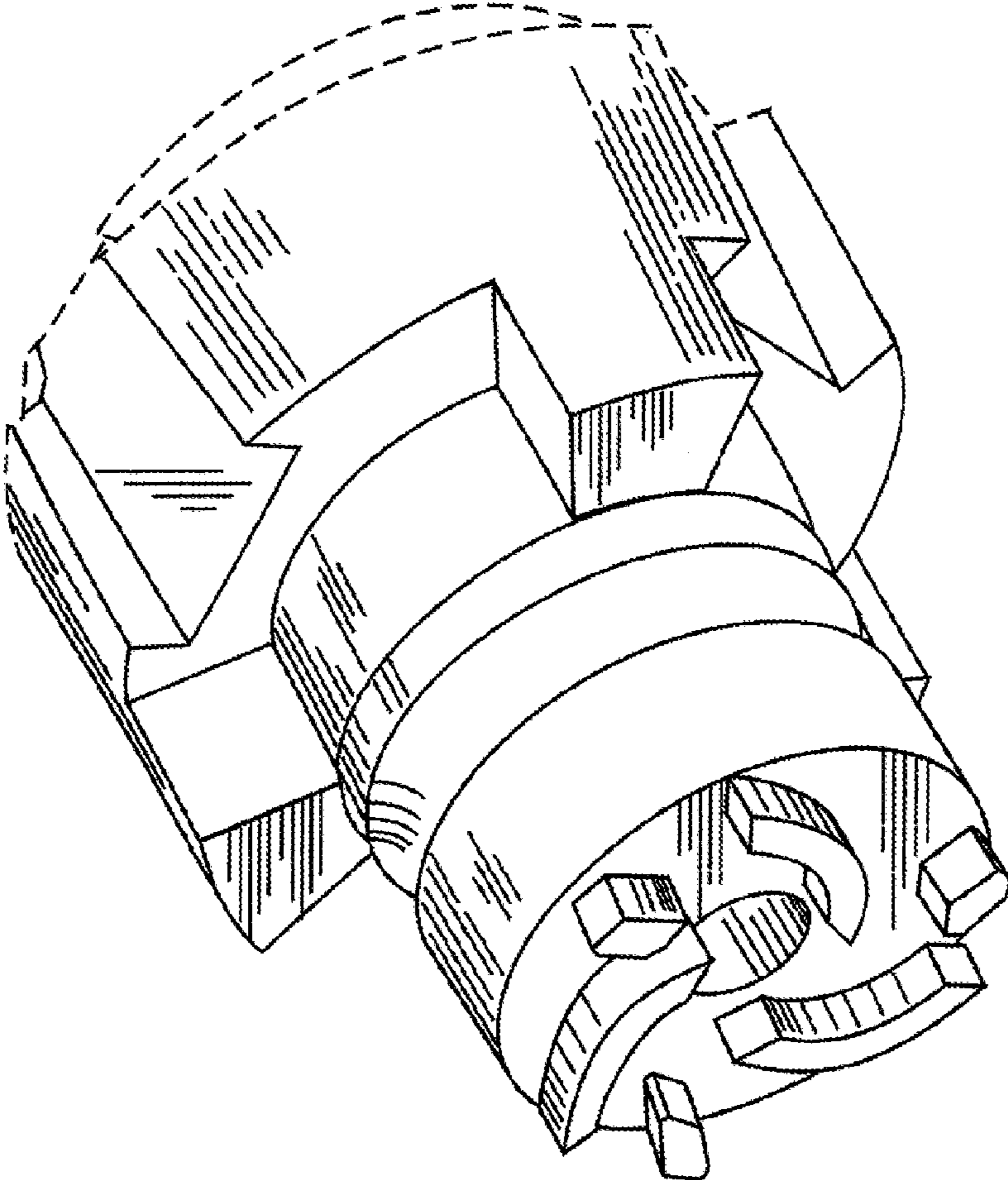


FIG. 3

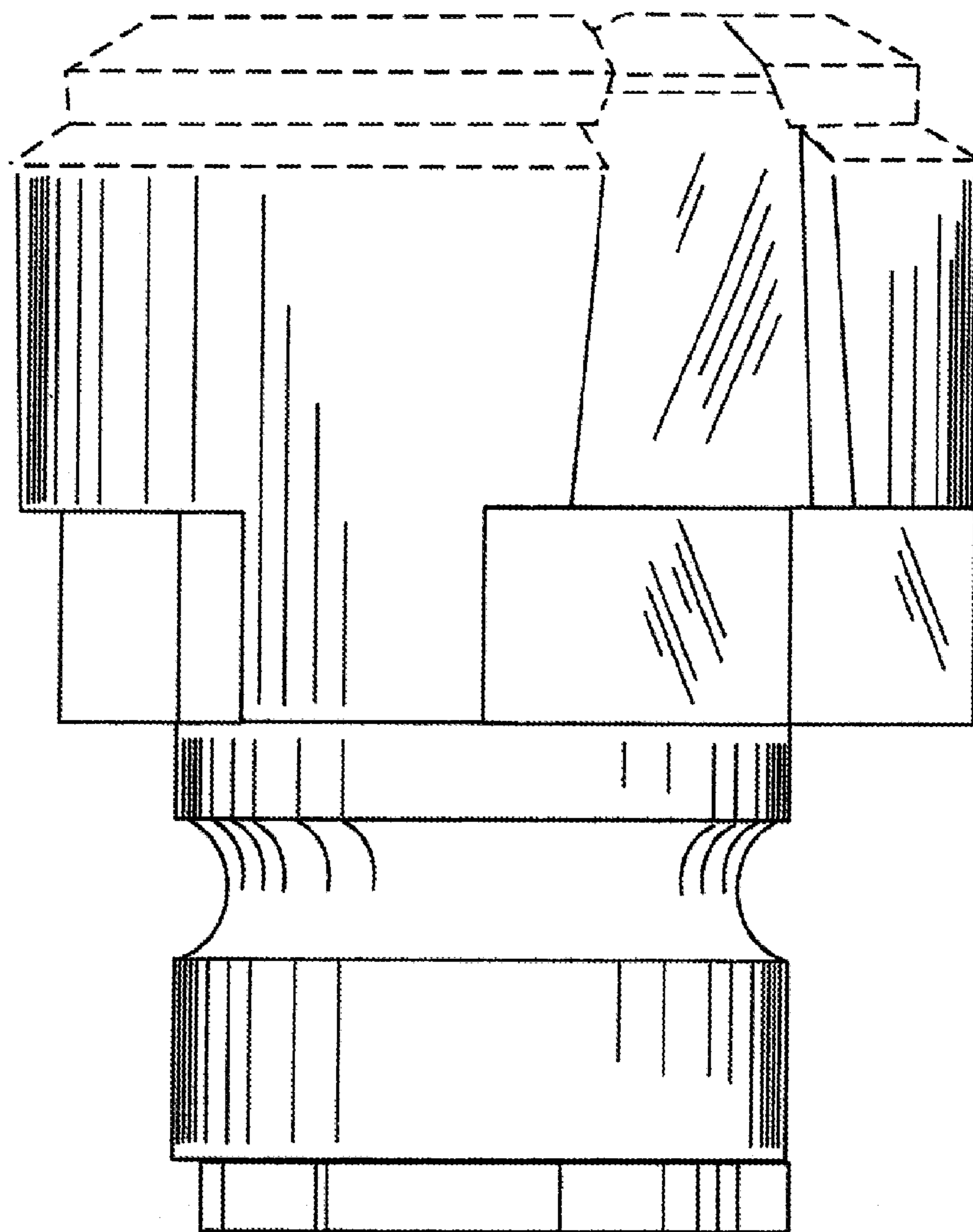


FIG. 4

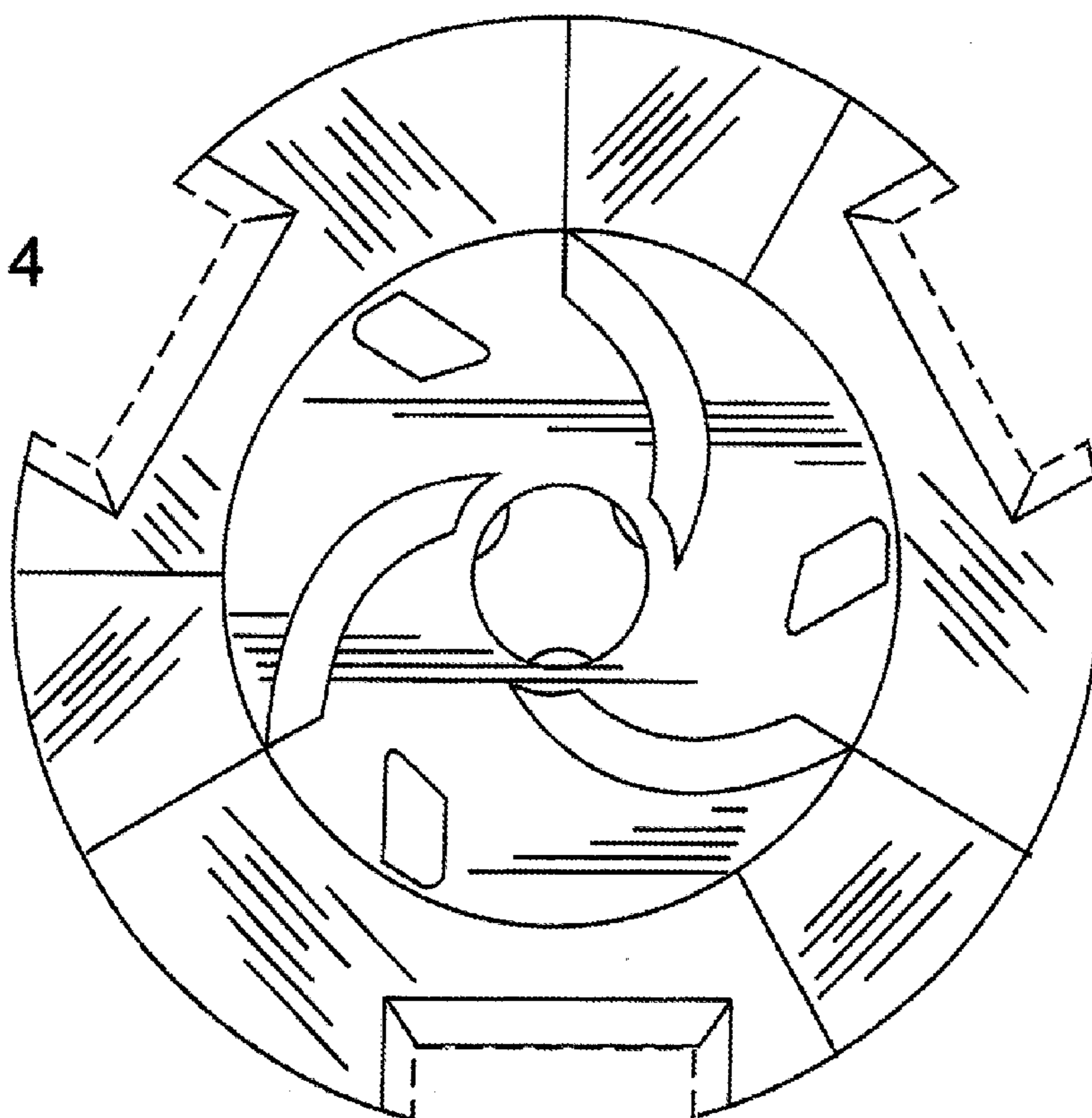


FIG. 5

