



US00D700920S

(12) **United States Design Patent**
DeVitis et al.

(10) **Patent No.:** **US D700,920 S**

(45) **Date of Patent:** **** Mar. 11, 2014**

- (54) **PORTION OF A HAMMER**
- (71) Applicant: **TerraSource Global Corporation**,
Broomall, PA (US)
- (72) Inventors: **Paul Raymond DeVitis**, Havertown, PA
(US); **Joseph Frederick Paul**, Media,
PA (US); **Wayne Andrew Radel**,
Langhorne, PA (US)
- (73) Assignee: **Terrasource Global Corporation**,
Broomall, PA (US)

3,510,076 A	5/1970	Perdue	
3,545,691 A *	12/1970	Arsenault	241/197
3,549,095 A *	12/1970	Ratkowski	241/197
3,829,032 A	8/1974	Schrimper	
4,046,327 A	9/1977	Cranor	
4,202,504 A	5/1980	Cameron	
4,352,774 A	10/1982	Hornberger	
4,519,551 A *	5/1985	Ceurvorst	241/194
4,717,083 A	1/1988	Quast et al.	
4,826,090 A	5/1989	Orphall	
5,114,085 A	5/1992	Inui	
5,169,077 A	12/1992	Stelk	

(Continued)

(**) Term: **14 Years**

Primary Examiner — Mark Goodwin

(21) Appl. No.: **29/465,432**

(74) *Attorney, Agent, or Firm* — Morgan, Lewis & Bockius LLP

(22) Filed: **Aug. 28, 2013**

(57) **CLAIM**

(51) **LOC (10) Cl.** **15-09**

The ornamental design for a portion of a hammer, as shown and described.

(52) **U.S. Cl.**

USPC **D15/123; D15/126; D15/21**

(58) **Field of Classification Search**

USPC D15/21, 28, 29, 123, 124, 126, 131;
241/193–197, 300, 74, 189.1, 294

See application file for complete search history.

DESCRIPTION

(56) **References Cited**

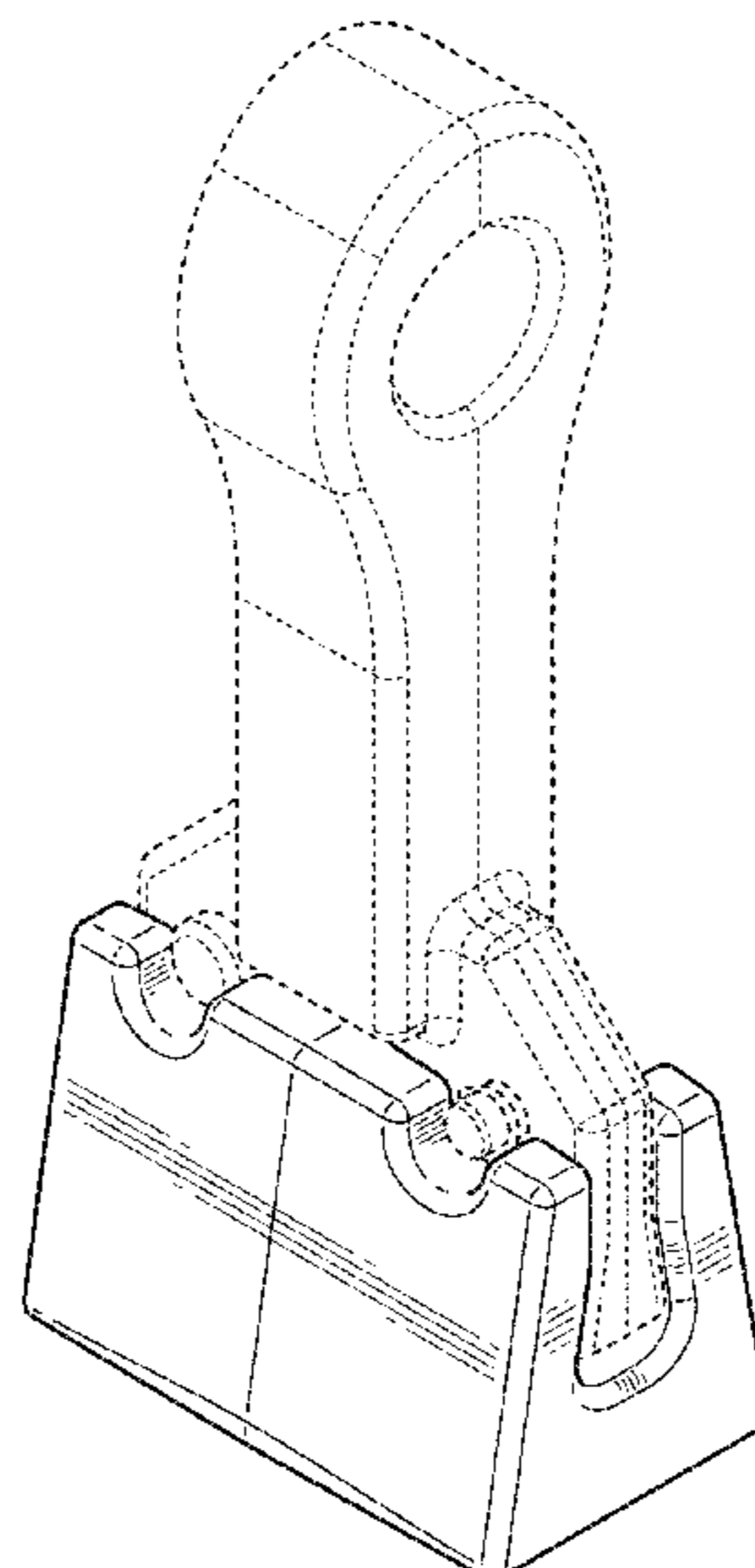
U.S. PATENT DOCUMENTS

1,447,341 A	3/1923	Davidson	
1,940,116 A *	12/1933	Brooks	241/197
2,015,581 A *	9/1935	Armour	241/195
2,183,880 A	12/1939	Brooks	
2,531,597 A *	11/1950	Anderson	241/197
2,534,301 A	12/1950	Sennholtz	
2,620,989 A	12/1952	Keiper	
2,994,486 A	8/1961	Trudeau	
3,179,344 A *	4/1965	Morel	241/197
2,750,124 A	6/1965	Reinhardt	
3,207,448 A *	9/1965	Miller	241/197
3,236,463 A *	2/1966	Ratkowski	241/197
3,322,356 A *	5/1967	Toews	241/197
3,503,562 A *	3/1970	Haberman	241/195

FIG. 1 is a front perspective view of a portion of a hammer in accordance with our new design;
 FIG. 2 is a right-side elevational view of the portion of the hammer shown in FIG. 1;
 FIG. 3 is a left-side elevational view of the portion of the hammer shown in FIG. 1;
 FIG. 4 is a front elevational view of the portion of the hammer shown in FIG. 1;
 FIG. 5 is a rear elevational view of the portion of the hammer shown in FIG. 1;
 FIG. 6 is a bottom plan view of the portion of the hammer shown in FIG. 1; and,
 FIG. 7 is a top plan view of the portion of the hammer shown in FIG. 1.

The broken lines shown in the drawings represent portions of the portion of the hammer that form no part of the claimed design.

1 Claim, 3 Drawing Sheets



(56)

References Cited

U.S. PATENT DOCUMENTS

5,381,976	A	1/1995	Chon et al.			
D360,421	S *	7/1995	Schulz et al.	D15/126		
6,045,072	A	4/2000	Zehr			
D426,556	S *	6/2000	Bradley et al.	D15/123		
6,131,838	A	10/2000	Balvanz et al.			
6,419,173	B2	7/2002	Balvanz et al.			
6,481,654	B1	11/2002	Balvanz et al.			
D573,163	S *	7/2008	Young	D15/123		
7,494,080	B2	2/2009	Knotts			
D588,174	S *	3/2009	Young	D15/123		
7,516,912	B2 *	4/2009	Schmitz et al.	241/194		
7,837,138	B2 *	11/2010	Schmitz et al.	241/194		
D631,488	S *	1/2011	Holland et al.	D15/21		
D637,632	S *	5/2011	Schmitz et al.	D15/123		
D643,049	S *	8/2011	Nickels et al.	D15/28		
8,033,490	B1 *	10/2011	Young et al.	241/194		
2009/0114751	A1 *	5/2009	Doppstadt et al.	241/197		
2009/0250538	A1 *	10/2009	Schmitz et al.	241/189.1		

* cited by examiner

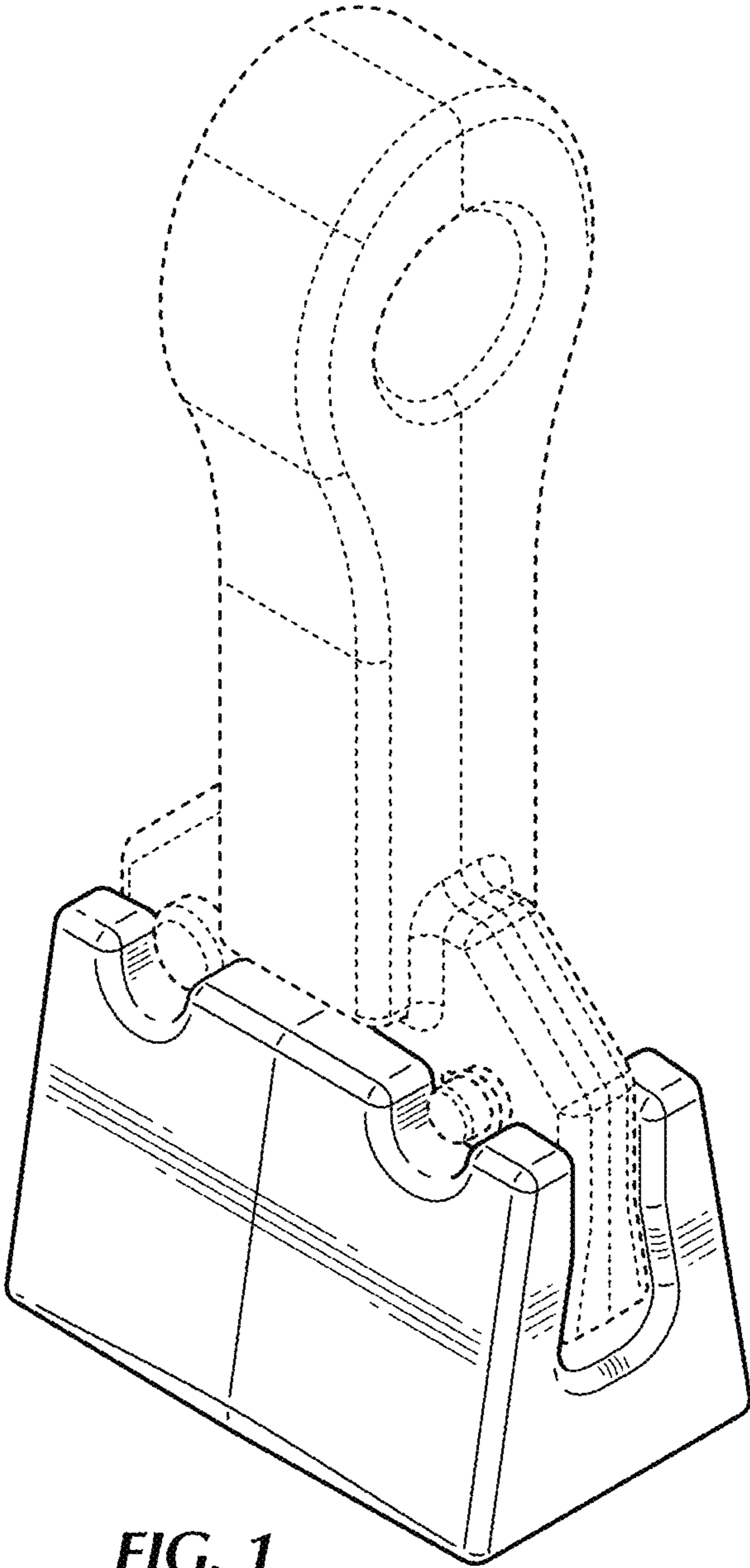


FIG. 1

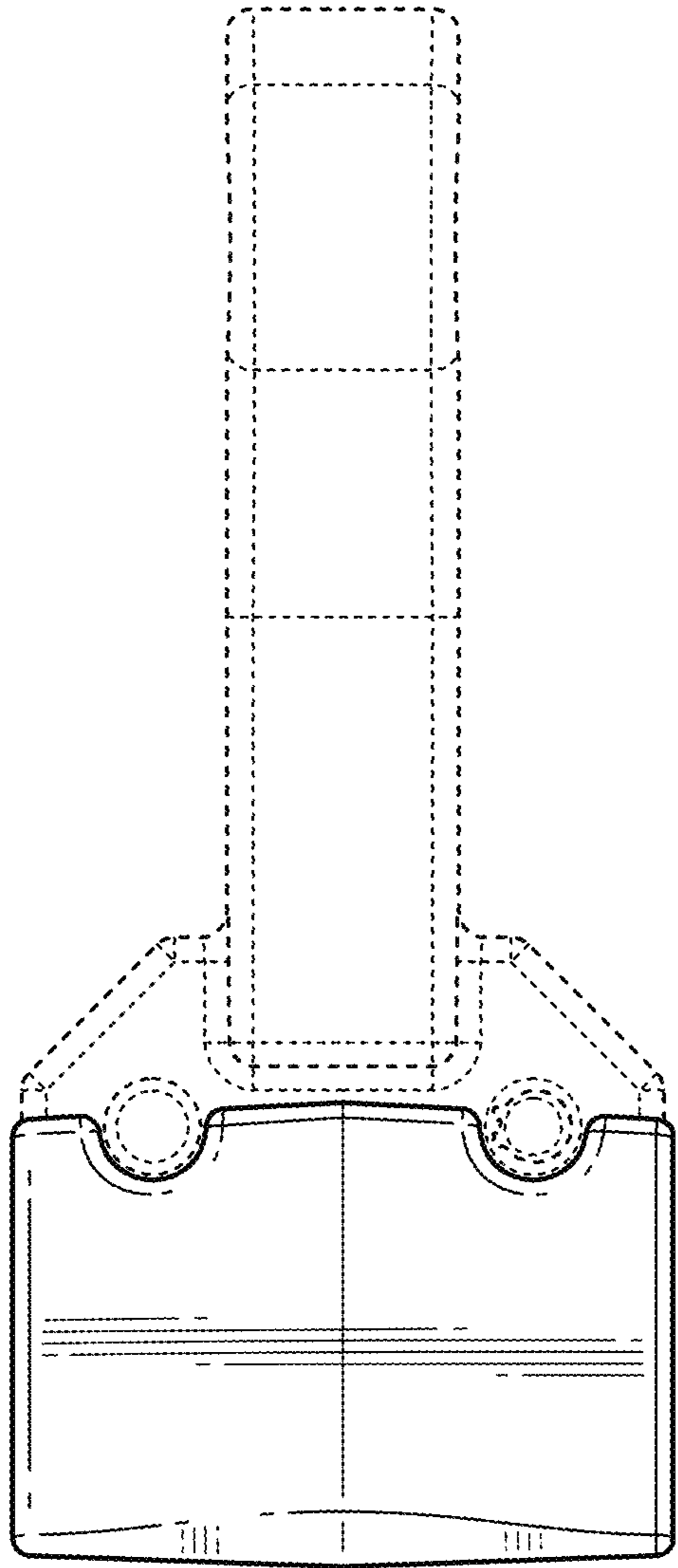


FIG. 2

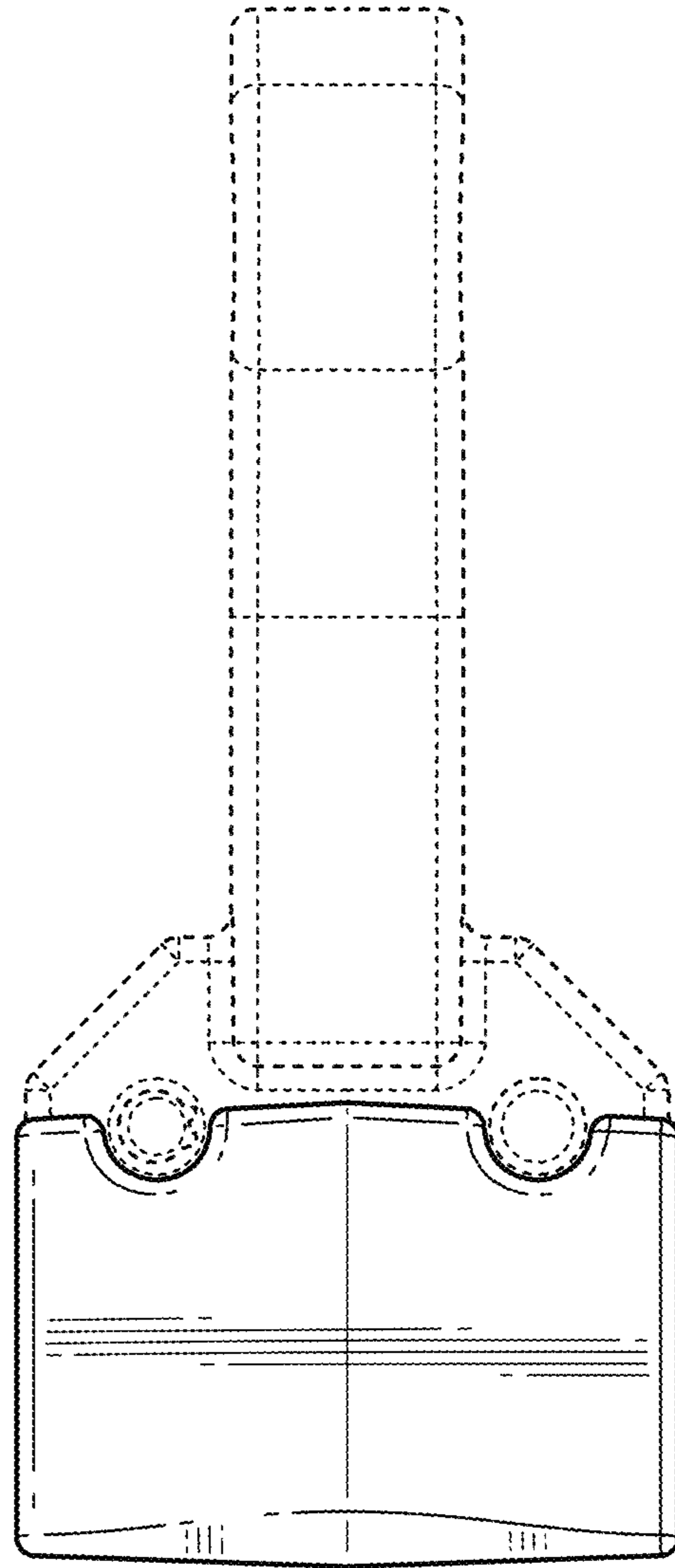


FIG. 3

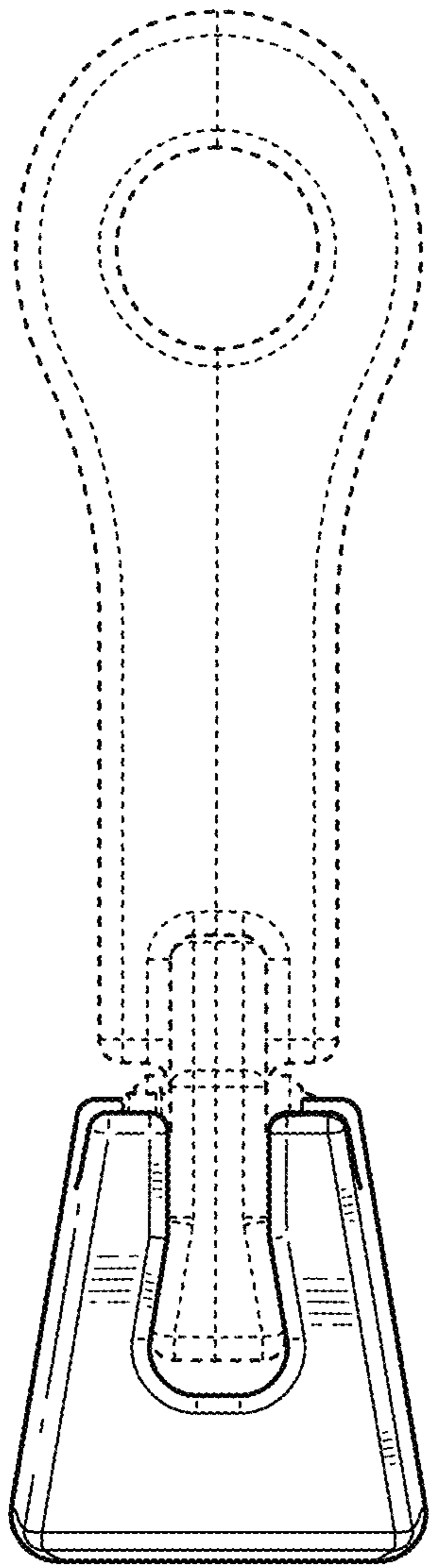


FIG. 4

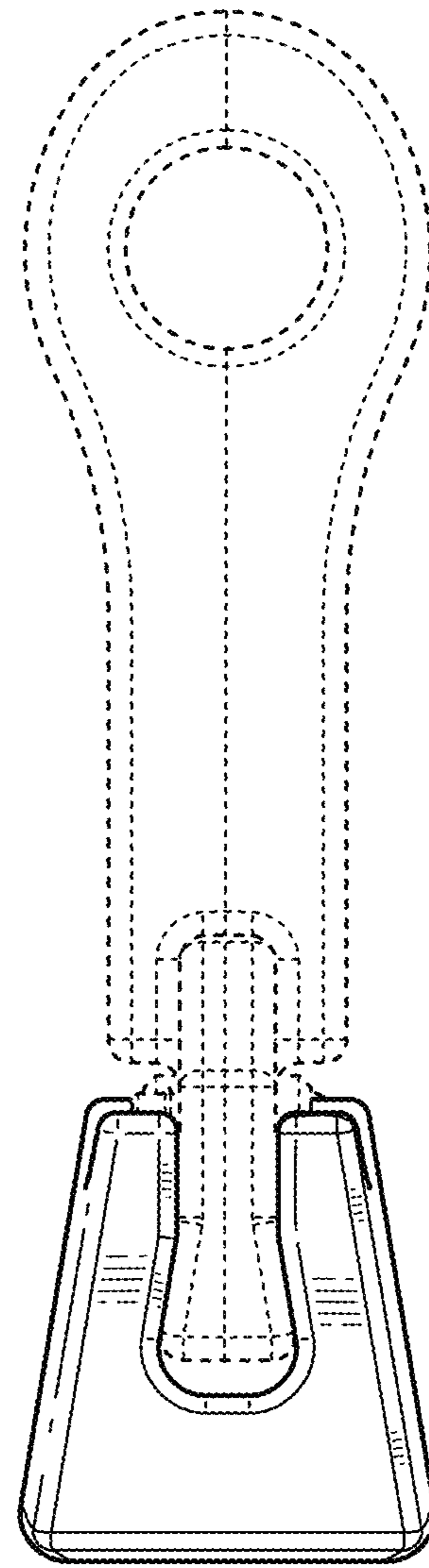


FIG. 5

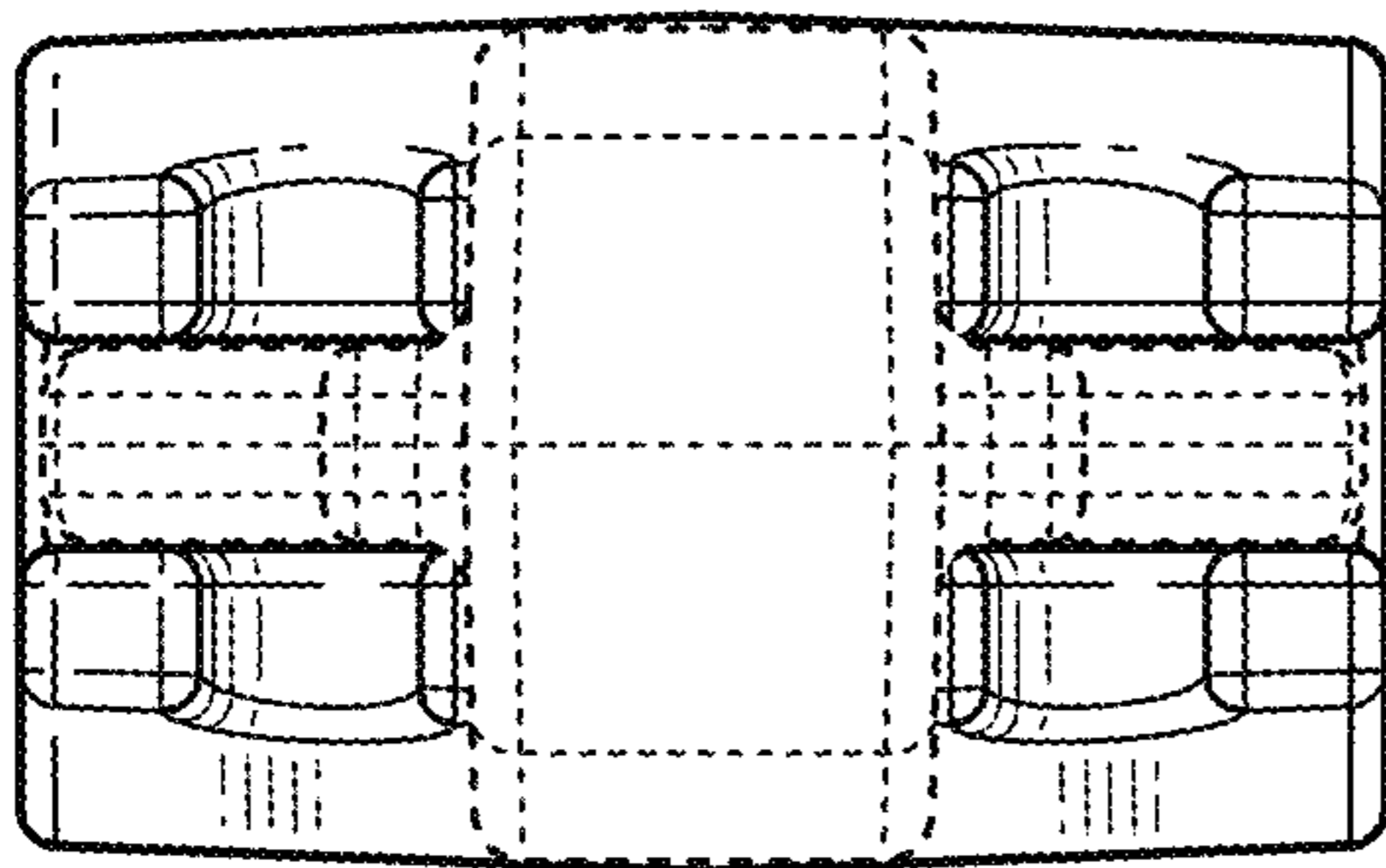


FIG. 6

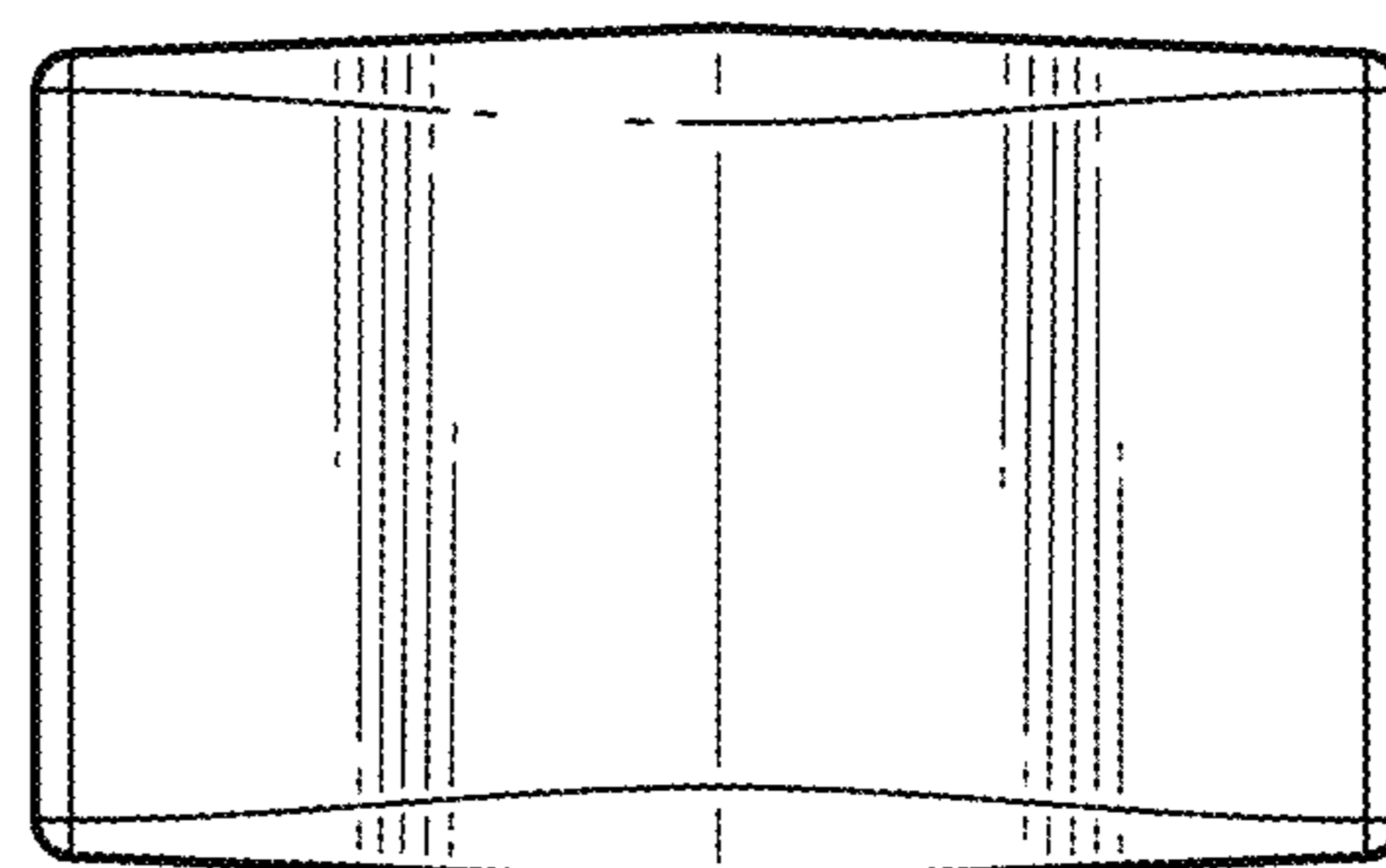


FIG. 7