



US00D700918S

(12) **United States Design Patent**  
**Small**

(10) **Patent No.:** **US D700,918 S**

(45) **Date of Patent:** **\*\* Mar. 11, 2014**

(54) **COTTON MODULE SPEAR IMPLEMENT**

(76) Inventor: **Byron Small**, Senath, MO (US)

(\*\*) Term: **14 Years**

(21) Appl. No.: **29/410,161**

(22) Filed: **Jan. 4, 2012**

**Related U.S. Application Data**

(63) Continuation of application No. 13/033,601, filed on Feb. 23, 2011, now abandoned.

(51) **LOC (10) Cl.** ..... **15-03**

(52) **U.S. Cl.**  
USPC ..... **D15/28**

(58) **Field of Classification Search**  
USPC ..... D15/10, 28, 32; 37/406, 403, 468;  
414/724, 912, 24.5, 721, 722, 685  
See application file for complete search history.

(56) **References Cited**

**U.S. PATENT DOCUMENTS**

D141,948	S *	8/1945	Michaels	.....	D15/32
2,652,939	A *	9/1953	Burch	.....	414/704
2,868,399	A *	1/1959	Fortier	.....	414/703
3,416,686	A *	12/1968	Penrod	.....	414/715
3,921,837	A *	11/1975	Vandewater	.....	414/24.5
D239,194	S *	3/1976	Borcharding	.....	D15/32
4,002,147	A *	1/1977	Feterl	.....	119/60
D243,326	S *	2/1977	Vandewater	.....	D15/28
4,023,690	A *	5/1977	Goode	.....	414/24.5
4,032,184	A *	6/1977	Blair	.....	294/207
D245,984	S *	10/1977	Priefert	.....	D15/32
4,120,405	A *	10/1978	Jones et al.	.....	414/24.5
D292,136	S *	9/1987	Burenga	.....	D34/35
4,926,617	A *	5/1990	Van Mill	.....	53/587
5,129,775	A *	7/1992	Coats et al.	.....	414/24.5
5,178,505	A *	1/1993	Smith	.....	414/24.5
5,352,080	A *	10/1994	Bakke	.....	414/24.5

D361,772	S *	8/1995	Hulsey	.....	D15/32
D370,684	S *	6/1996	Johnson	.....	D15/32
6,126,985	A *	10/2000	Cox	.....	426/636
7,182,568	B2 *	2/2007	McGinnes	.....	414/24.5
7,753,636	B2 *	7/2010	Hennig	.....	414/24.5
8,061,956	B2 *	11/2011	Burenga	.....	414/724
2004/0096307	A1	5/2004	McGinnes	.....	414/722
2005/0069405	A1	3/2005	Hachikian	.....	414/722
2009/0129895	A1 *	5/2009	Burenga	.....	414/24.5

**OTHER PUBLICATIONS**

[http://salesmanual.deere.com/sales/salesmanual/en\\_NA/frontier/2011/feature/cotton\\_bale\\_handler/](http://salesmanual.deere.com/sales/salesmanual/en_NA/frontier/2011/feature/cotton_bale_handler/)  
[http://www.hayspear.com/c=BeMviH9GI63N63dSWMHtDpSbt/product/BS\\_CLAMP\\_ON\\_4\\_SPEAR](http://www.hayspear.com/c=BeMviH9GI63N63dSWMHtDpSbt/product/BS_CLAMP_ON_4_SPEAR)  
<http://www.everythingattachments.com/Construction-Attachments-Wide-Frame-Bale-Spear-p/cal-ba>  
[http://static.zoovy.com/merchant/panrack/Hayspear\\_catalogue\\_e2.pdf](http://static.zoovy.com/merchant/panrack/Hayspear_catalogue_e2.pdf) (accessed Jan. 3, 2011).

\* cited by examiner

*Primary Examiner* — Mark Goodwin

(74) *Attorney, Agent, or Firm* — John Steckler Schwab

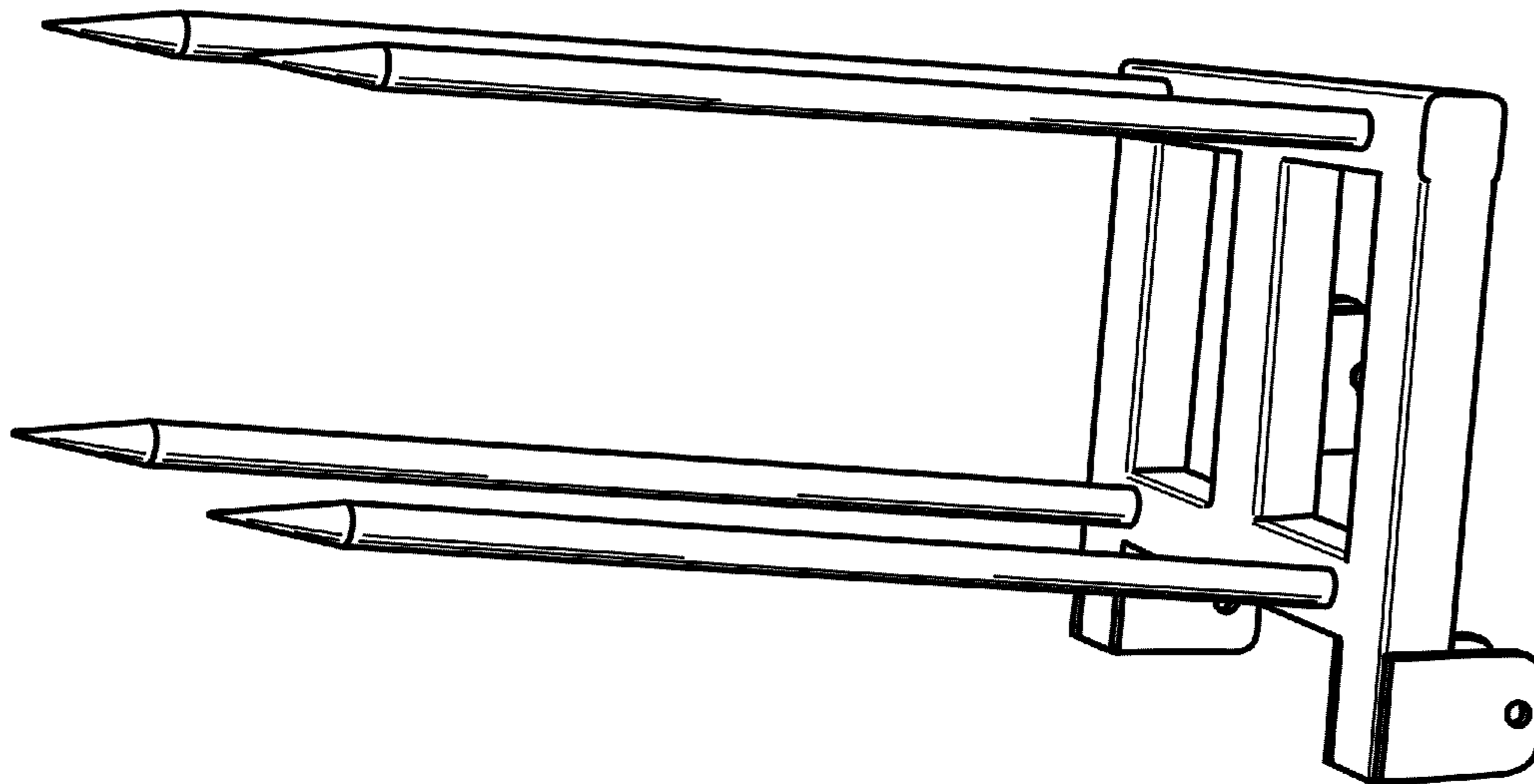
(57) **CLAIM**

The ornamental design for cotton module spear implement, as shown and described.

**DESCRIPTION**

FIG. 1 is a front perspective view of a cotton module spear implement showing my new design;  
 FIG. 2 is a rear perspective view thereof;  
 FIG. 3 is a left side view thereof, the right side view being a mirror image thereof;  
 FIG. 4 is a rear view thereof;  
 FIG. 5 is a front view thereof;  
 FIG. 6 is a top view thereof; and,  
 FIG. 7 is a bottom view thereof.

**1 Claim, 7 Drawing Sheets**



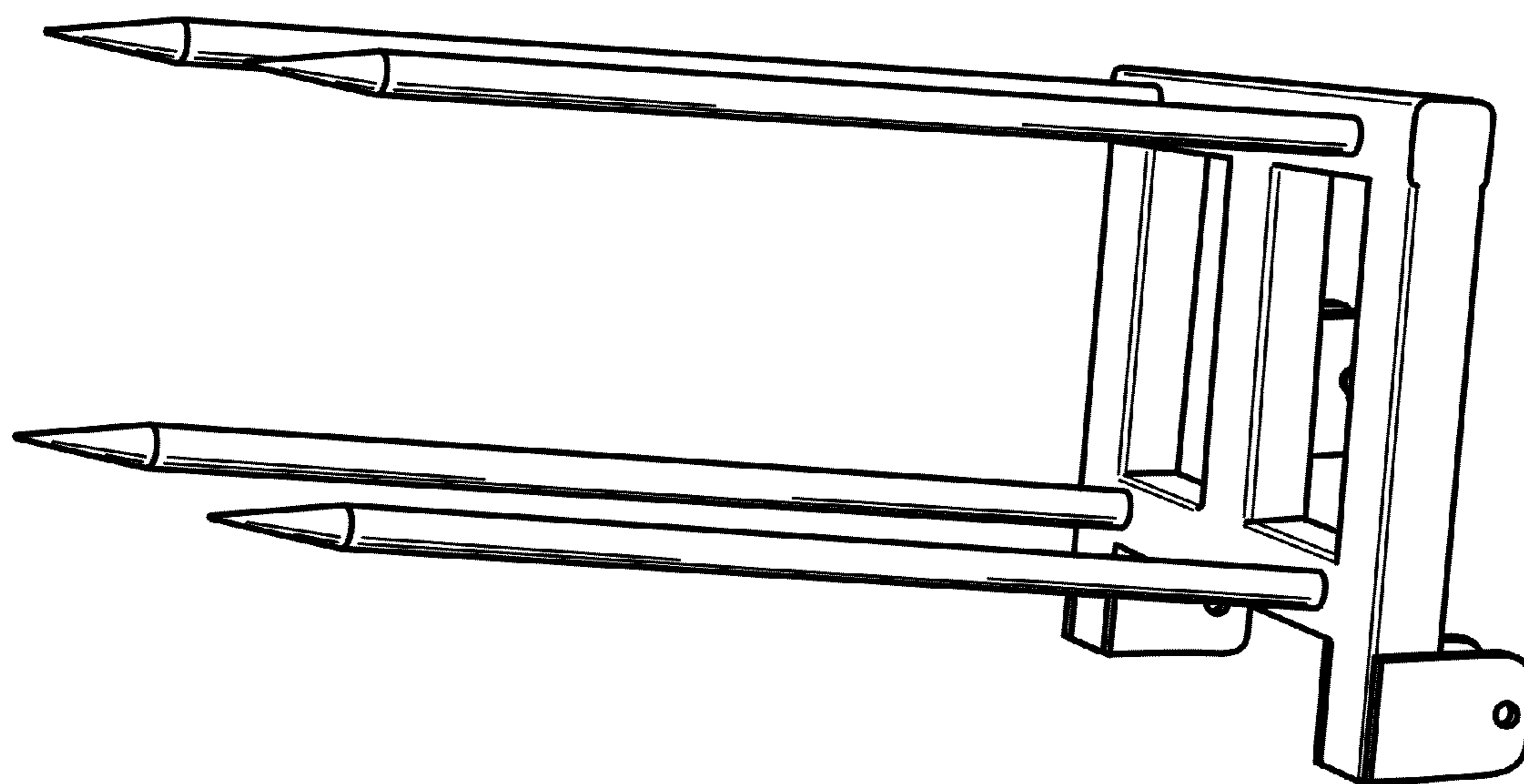


FIG. 1

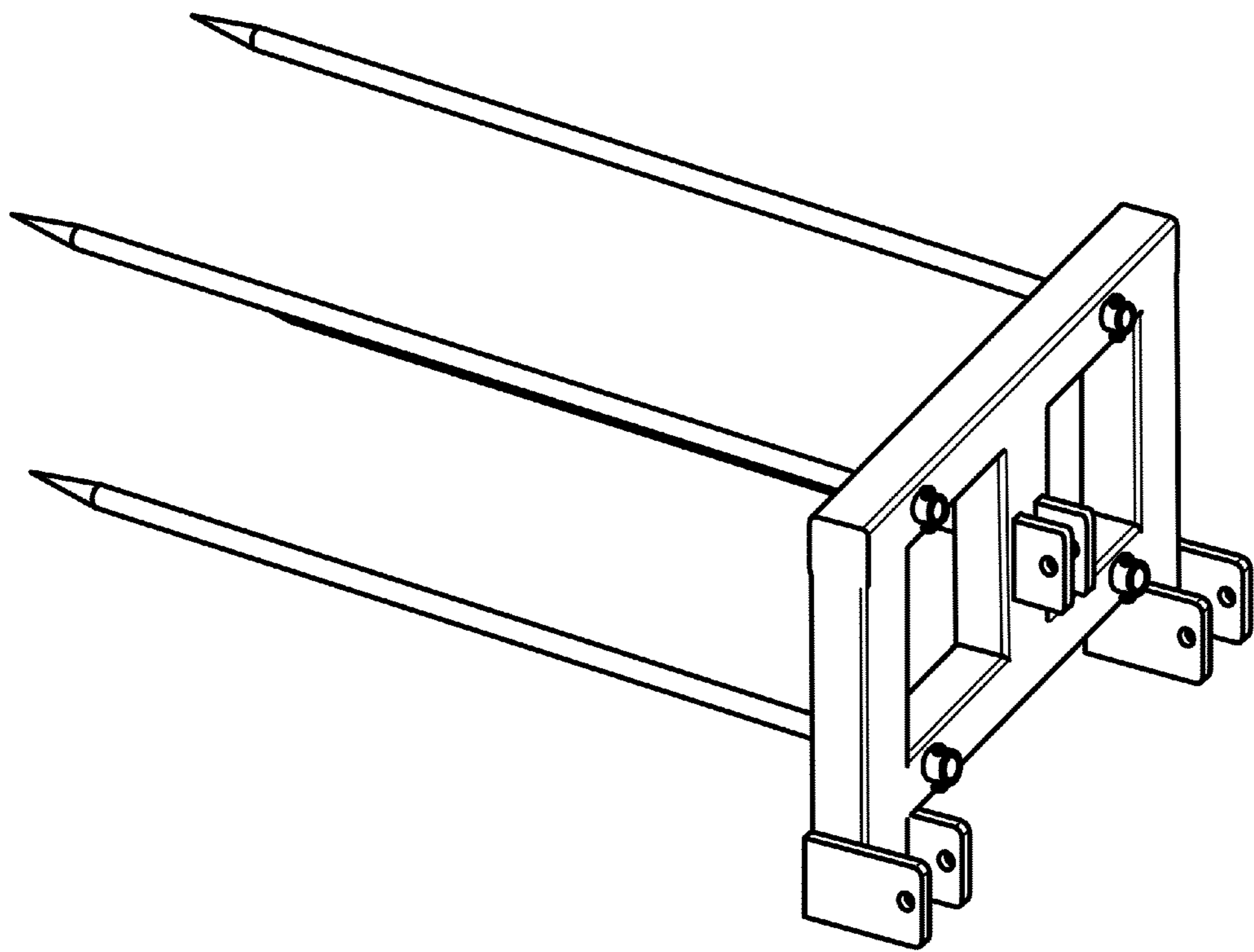


FIG. 2

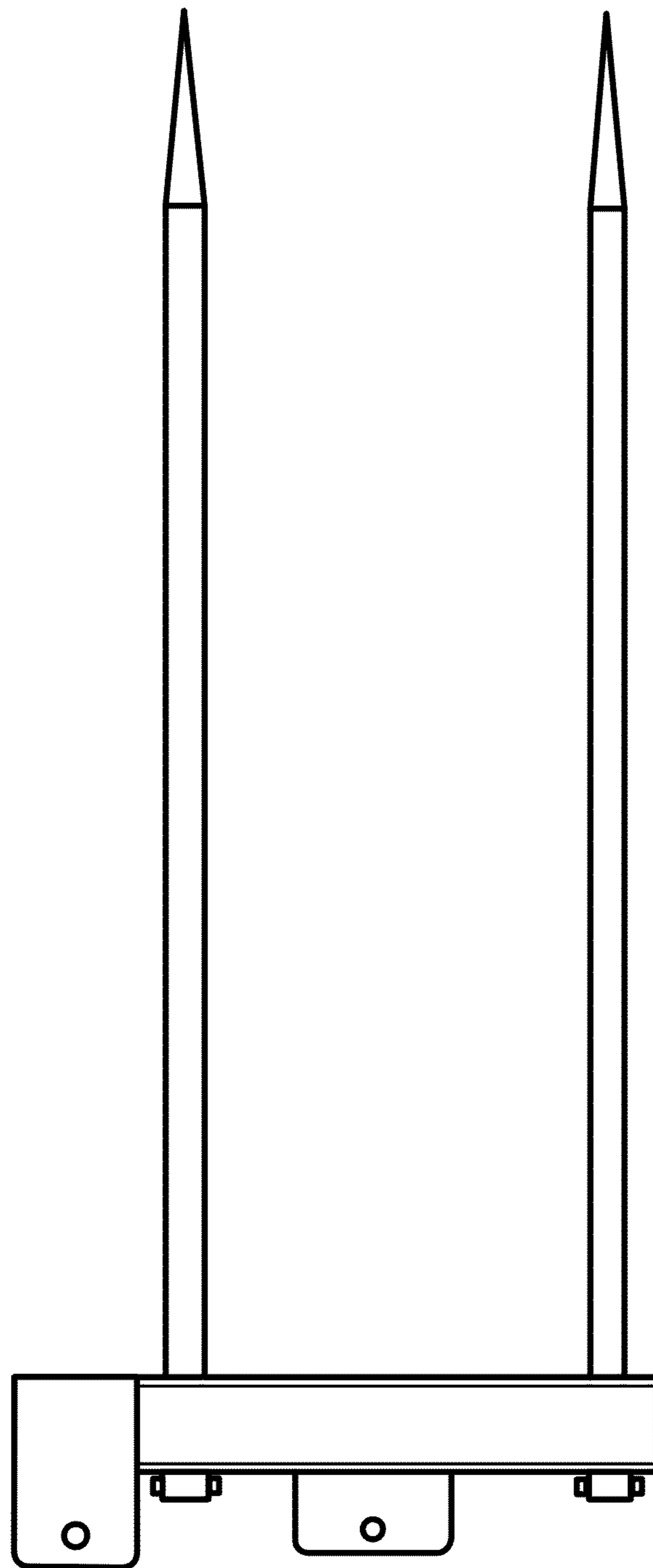


FIG. 3

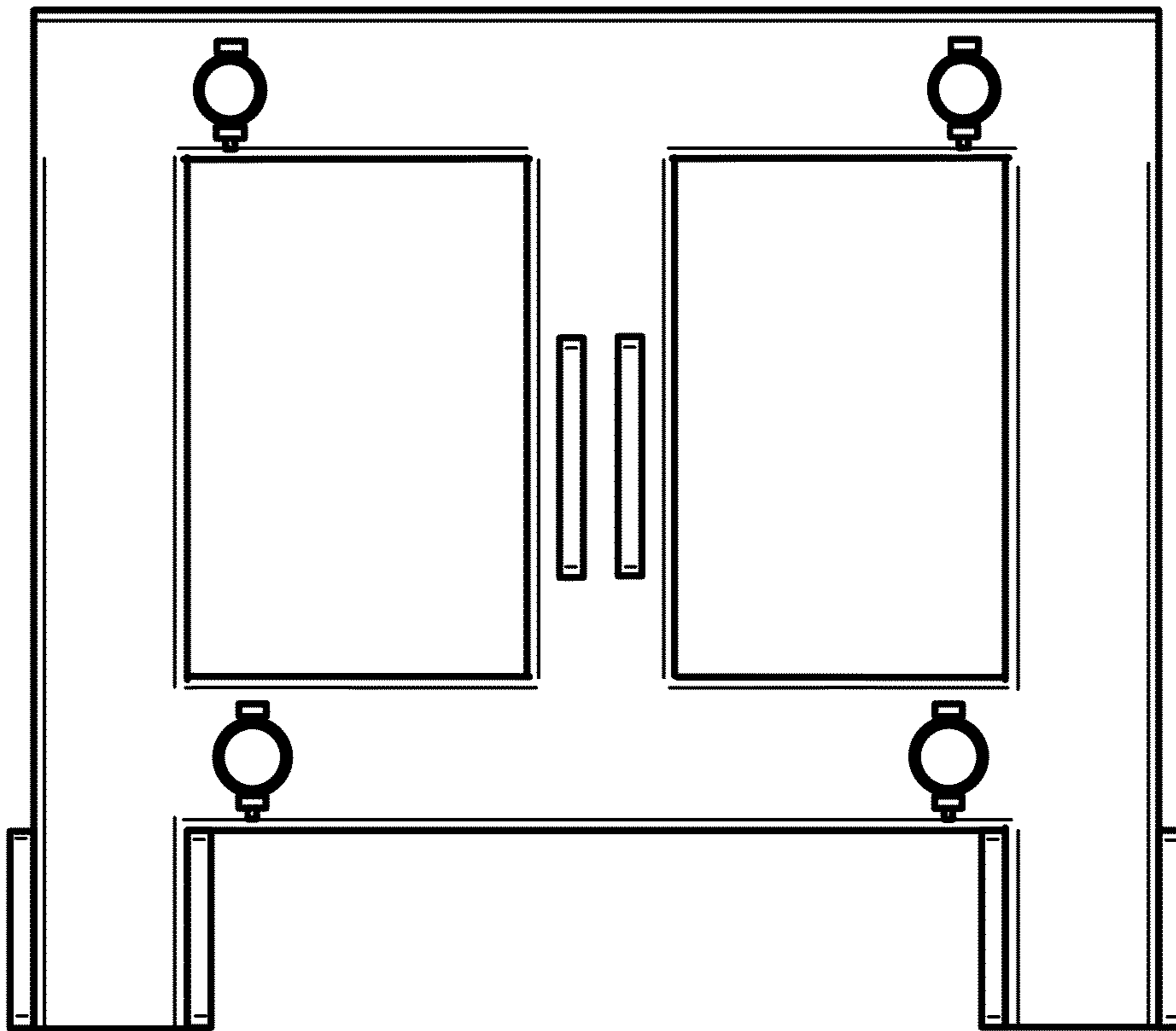


FIG. 4

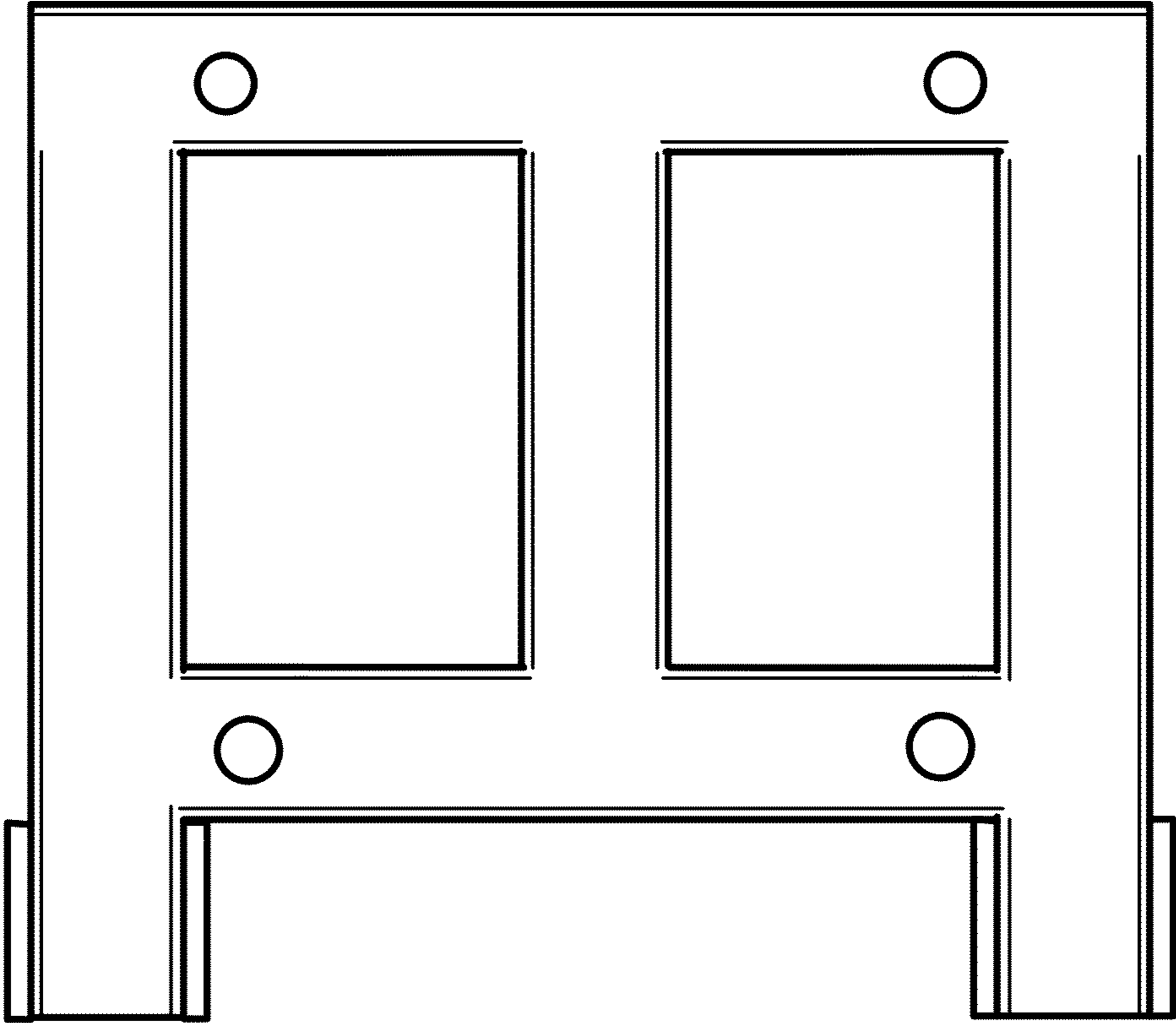


FIG. 5

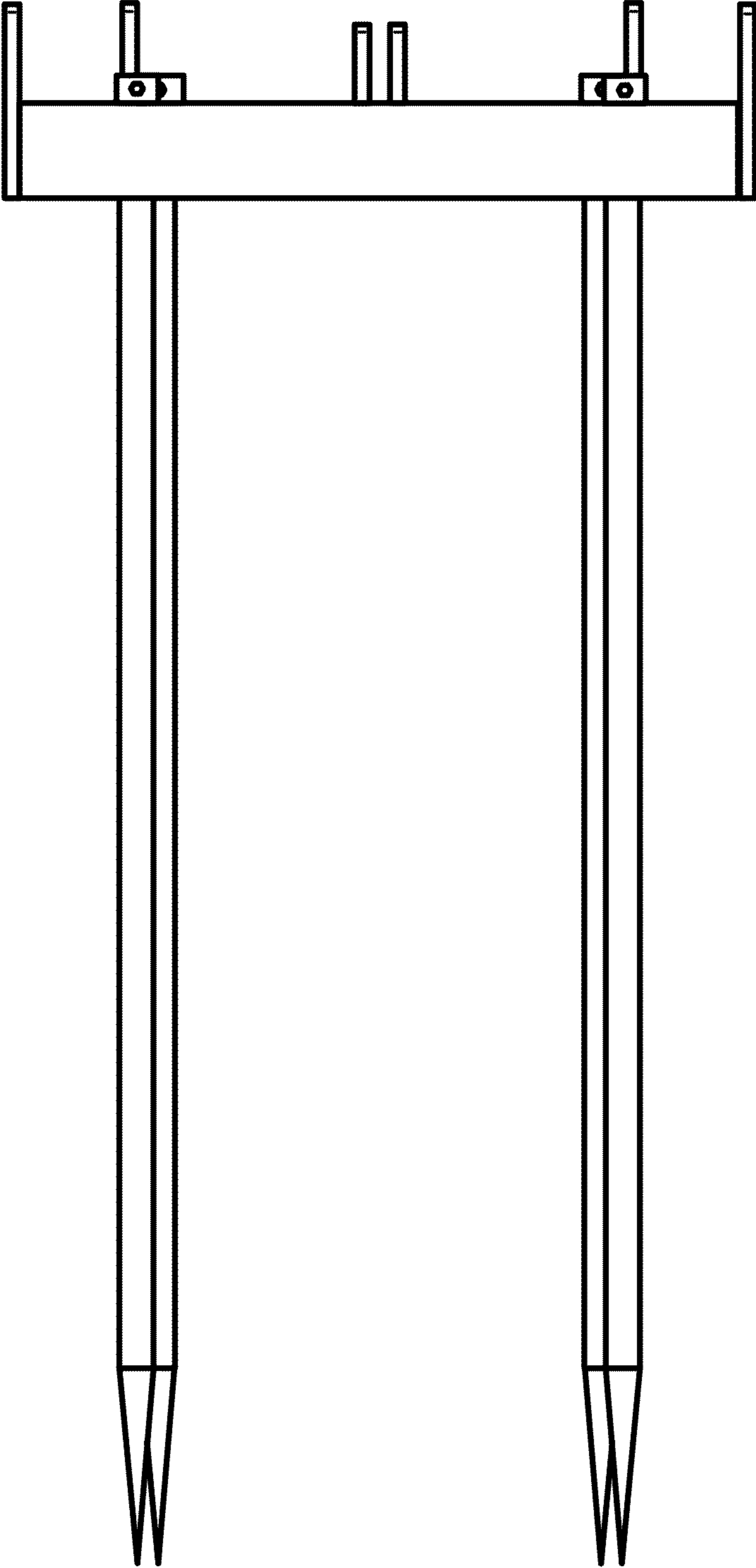


FIG. 6

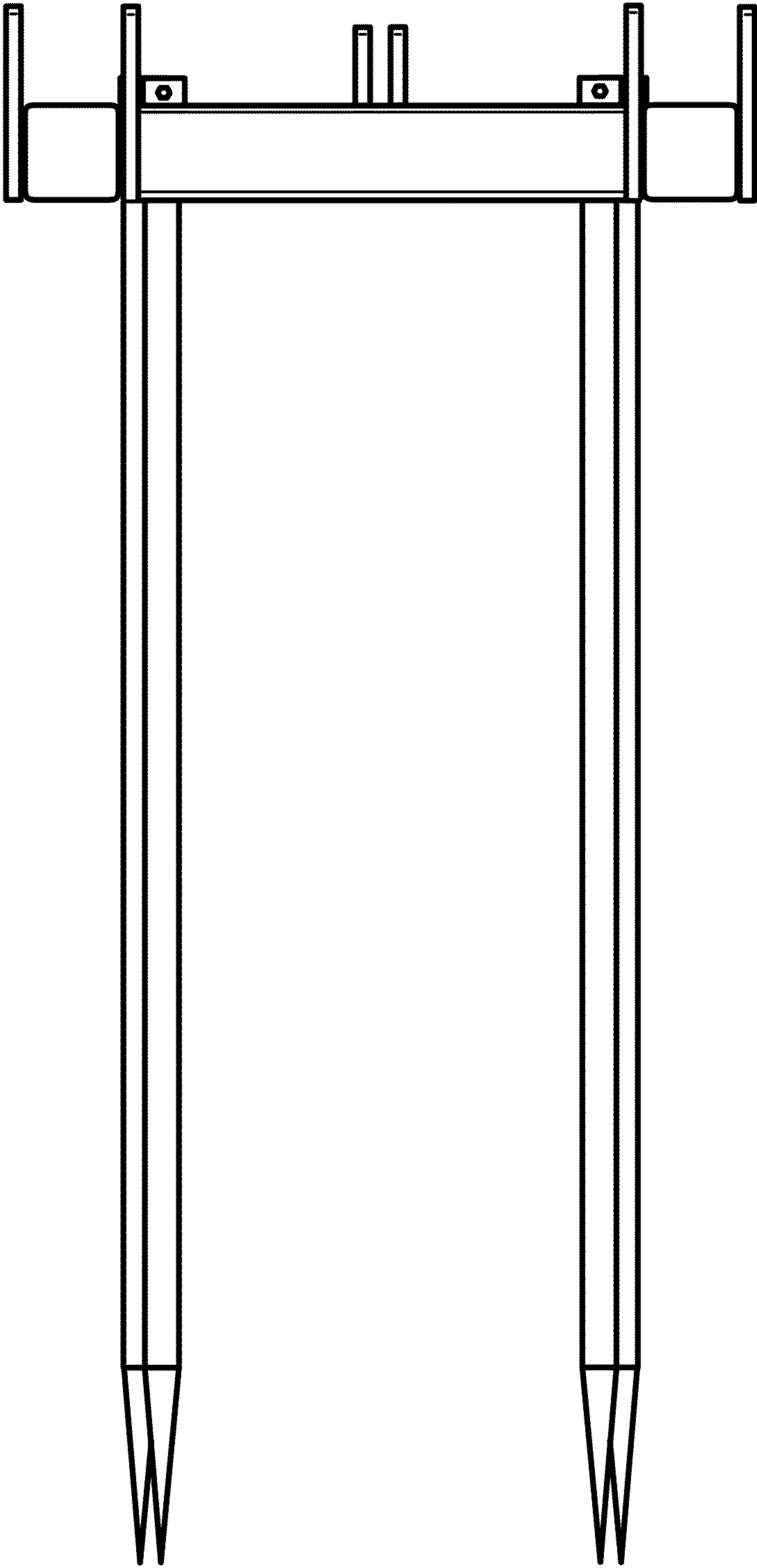


FIG. 7