

US00D700916S

(12) **United States Design Patent**
Kieffer et al.

(10) **Patent No.:** **US D700,916 S**
(45) **Date of Patent:** **** Mar. 11, 2014**

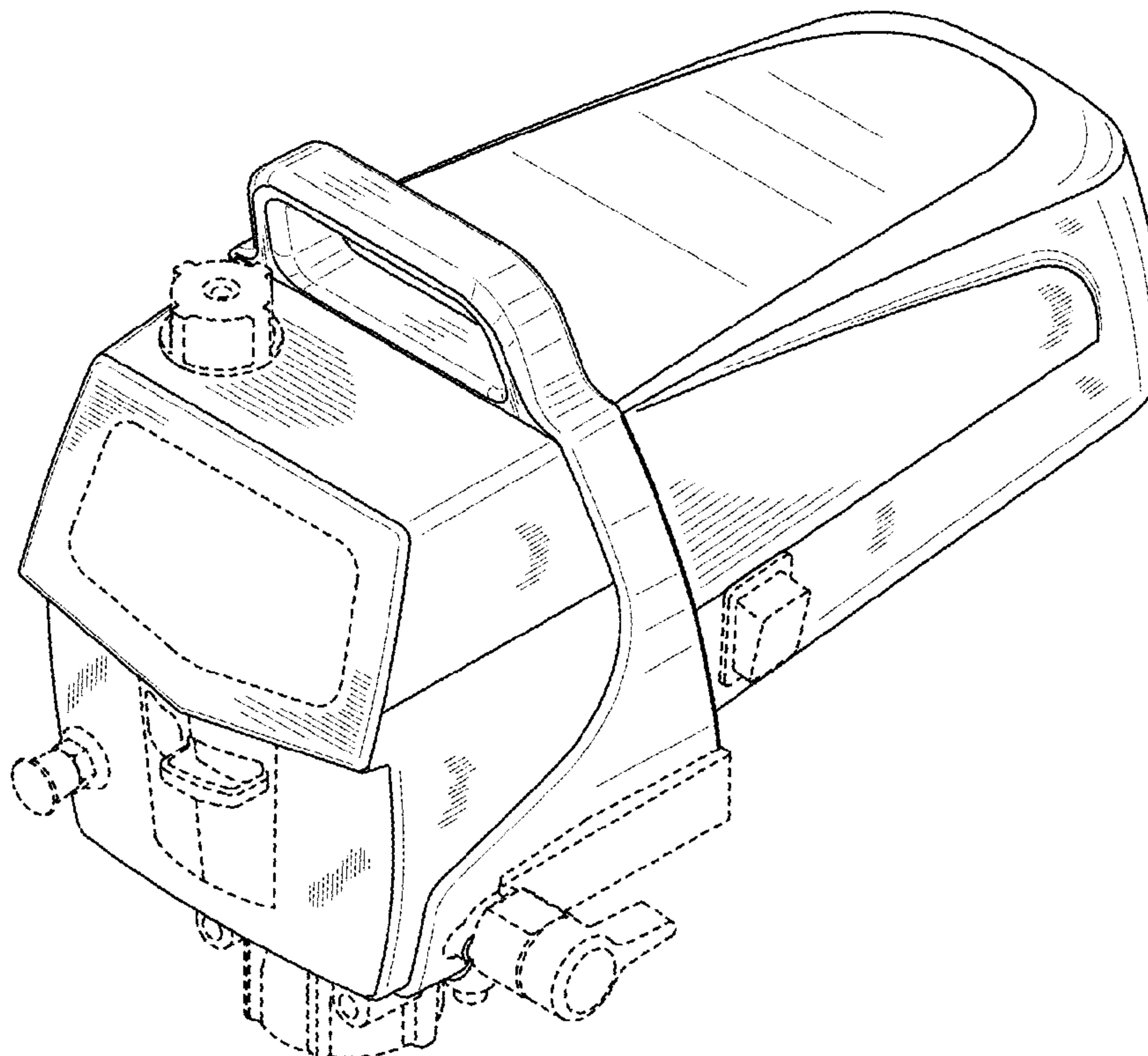
- (54) **PAINT SPRAY PUMP HOUSING**
- (71) Applicant: **Wagner Spray Tech Corporation**,
Plymouth, MN (US)
- (72) Inventors: **Joseph W. Kieffer**, Chanhassen, MN
(US); **Scott Robert Carpenter**, Rogers,
MN (US); **Robert Donald Cooper, Jr.**,
Elk River, MN (US)
- (73) Assignee: **Wagner Spray Tech Corporation**,
Plymouth, MN (US)
- (**) Term: **14 Years**
- (21) Appl. No.: **29/448,727**
- (22) Filed: **Mar. 13, 2013**
- (51) **LOC (10) Cl.** **15-02**
- (52) **U.S. Cl.**
USPC **D15/7**
- (58) **Field of Classification Search**
USPC D15/7-9; D23/231, 232, 225; 417/60,
417/235, 265, 321, 355, 358, 363, 359,
417/410.1, 415-416, 405, 900, 43, 554;
60/408, 412; 184/26-37; 415/140-147;
123/495, 509; 166/105.1, 105.2, 311
See application file for complete search history.

- (56) **References Cited**
U.S. PATENT DOCUMENTS
D557,708 S * 12/2007 Carpenter et al. D15/7
D572,273 S 7/2008 Carpenter et al.
D639,311 S * 6/2011 Peterson et al. D15/7
D648,352 S * 11/2011 Hsiao D15/7
D669,096 S * 10/2012 Katsura D15/7
* cited by examiner
Primary Examiner — Ralf Seifert
(74) *Attorney, Agent, or Firm* — Kelly, Holt & Christenson,
PLLC

(57) **CLAIM**
The ornamental design for a paint spray pump housing, as
shown and described.

DESCRIPTION
FIG. 1 is a perspective view of a first embodiment of a paint
spray pump housing;
FIG. 2 is a front view thereof;
FIG. 3 is a right side view thereof.
FIG. 4 is a left side view thereof.
FIG. 5 is a bottom view thereof;
FIG. 6 is a top view thereof; and,
FIG. 7 is a back view thereof.
The details shown in broken lines form no part of the claimed
design.

1 Claim, 7 Drawing Sheets



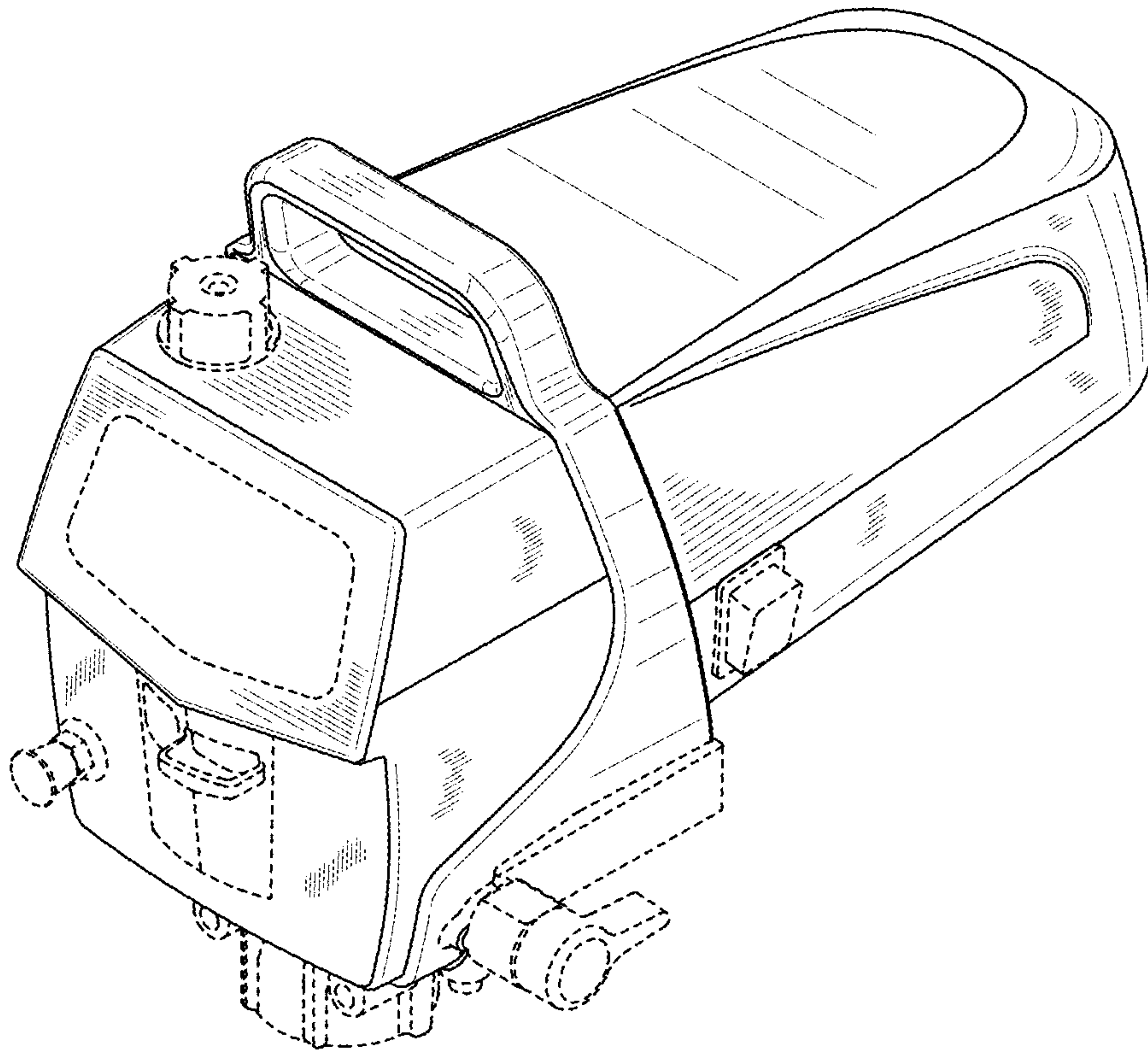


Fig. 1

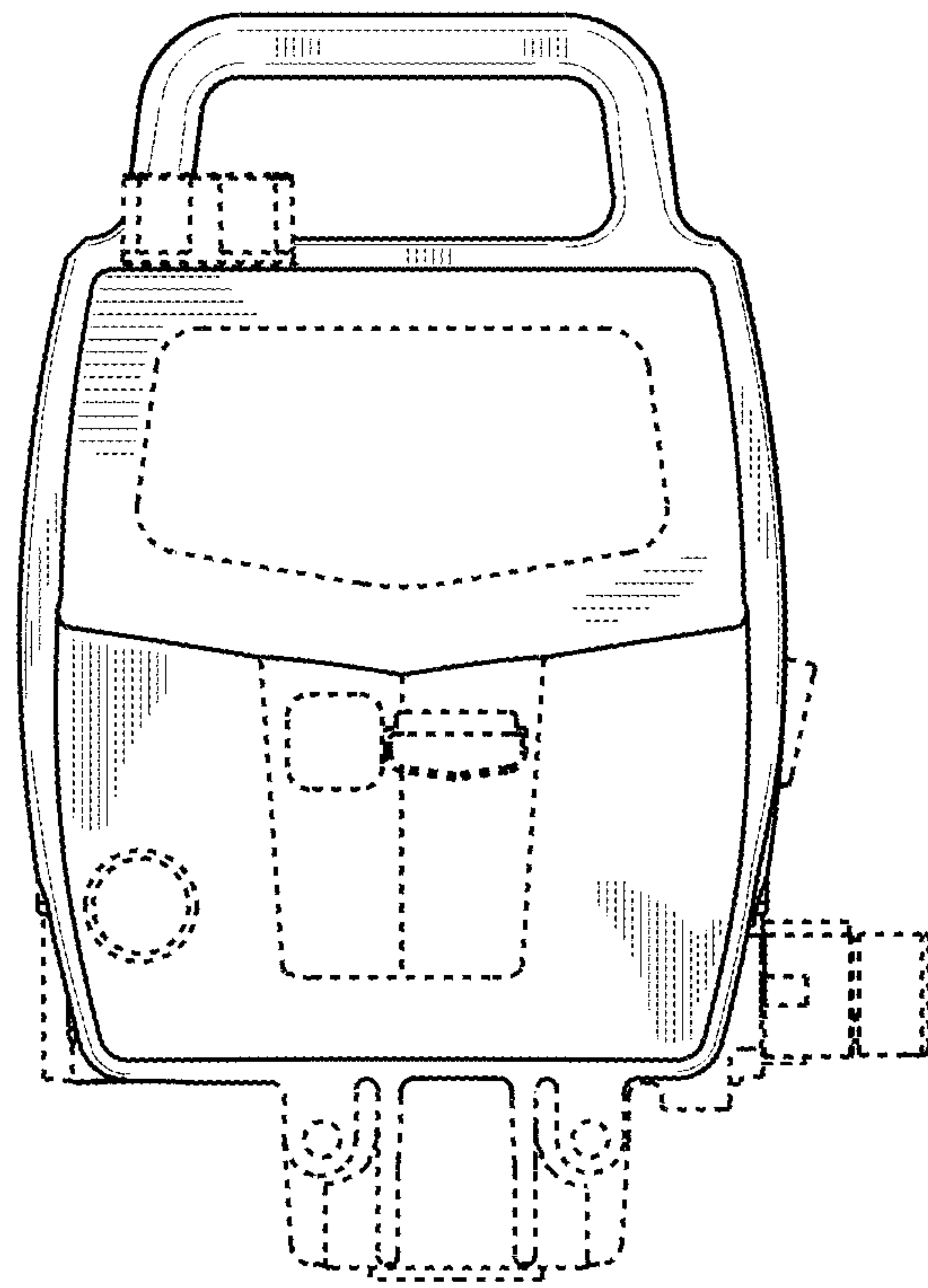


Fig. 2

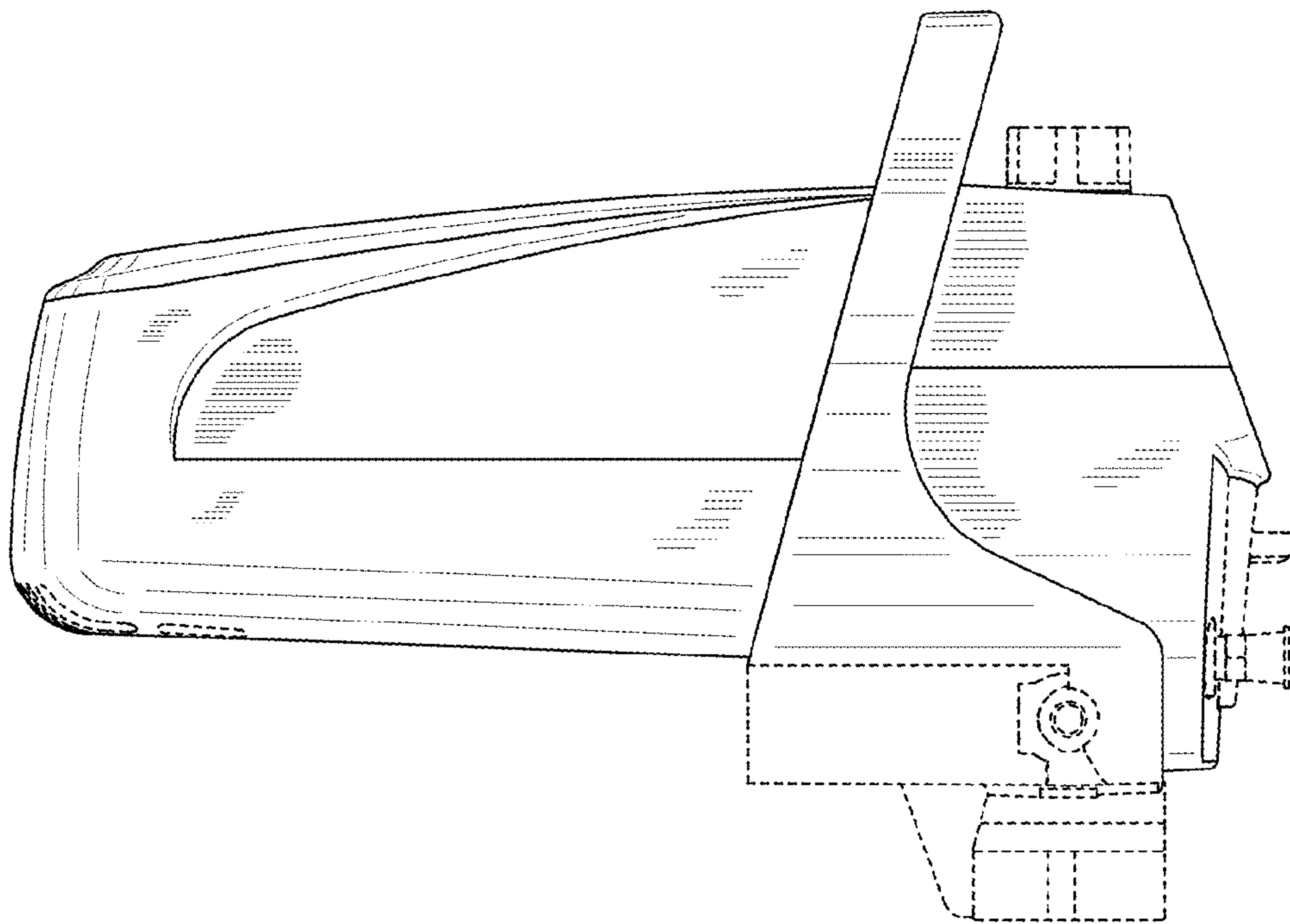


Fig. 3

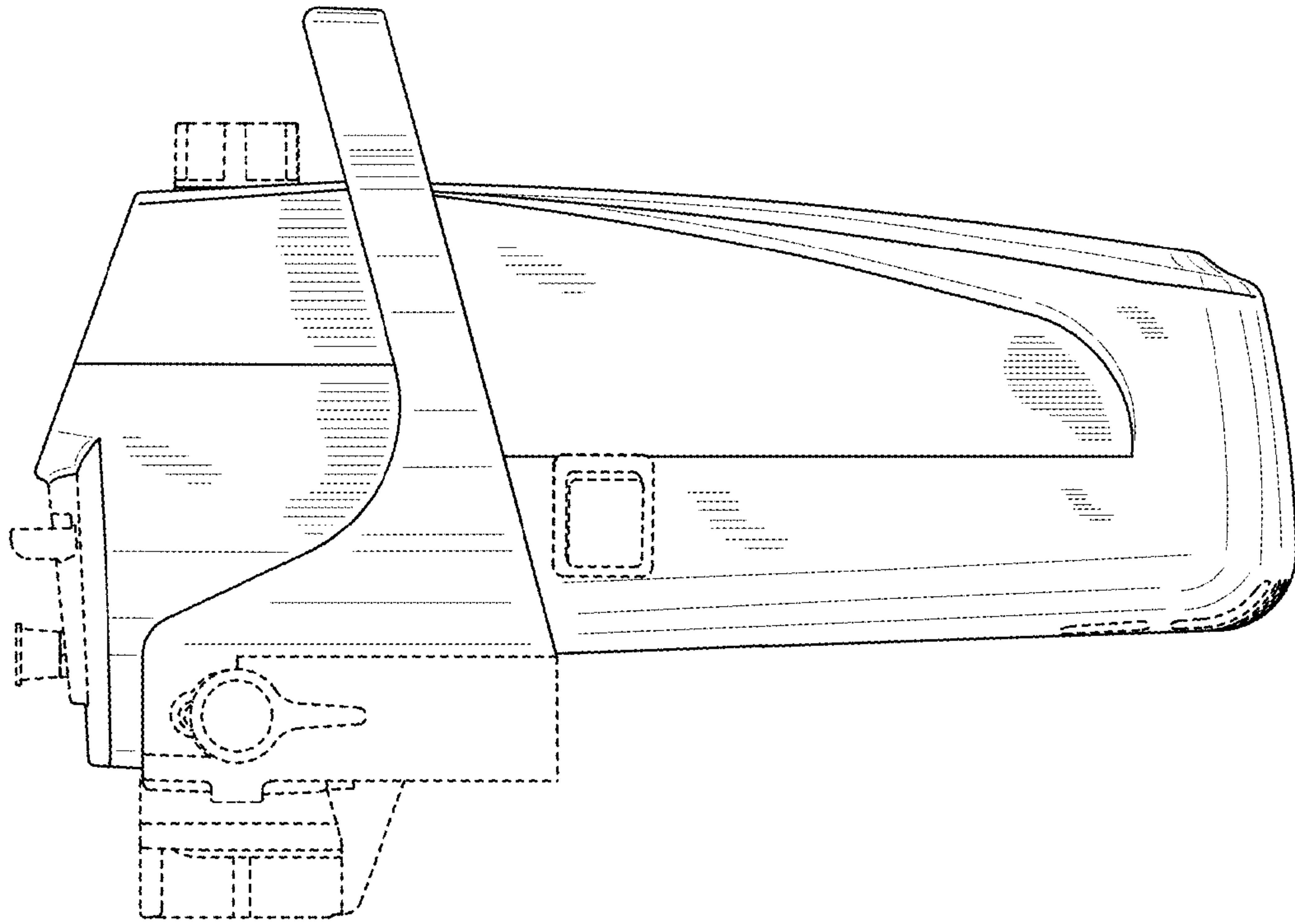


Fig. 4

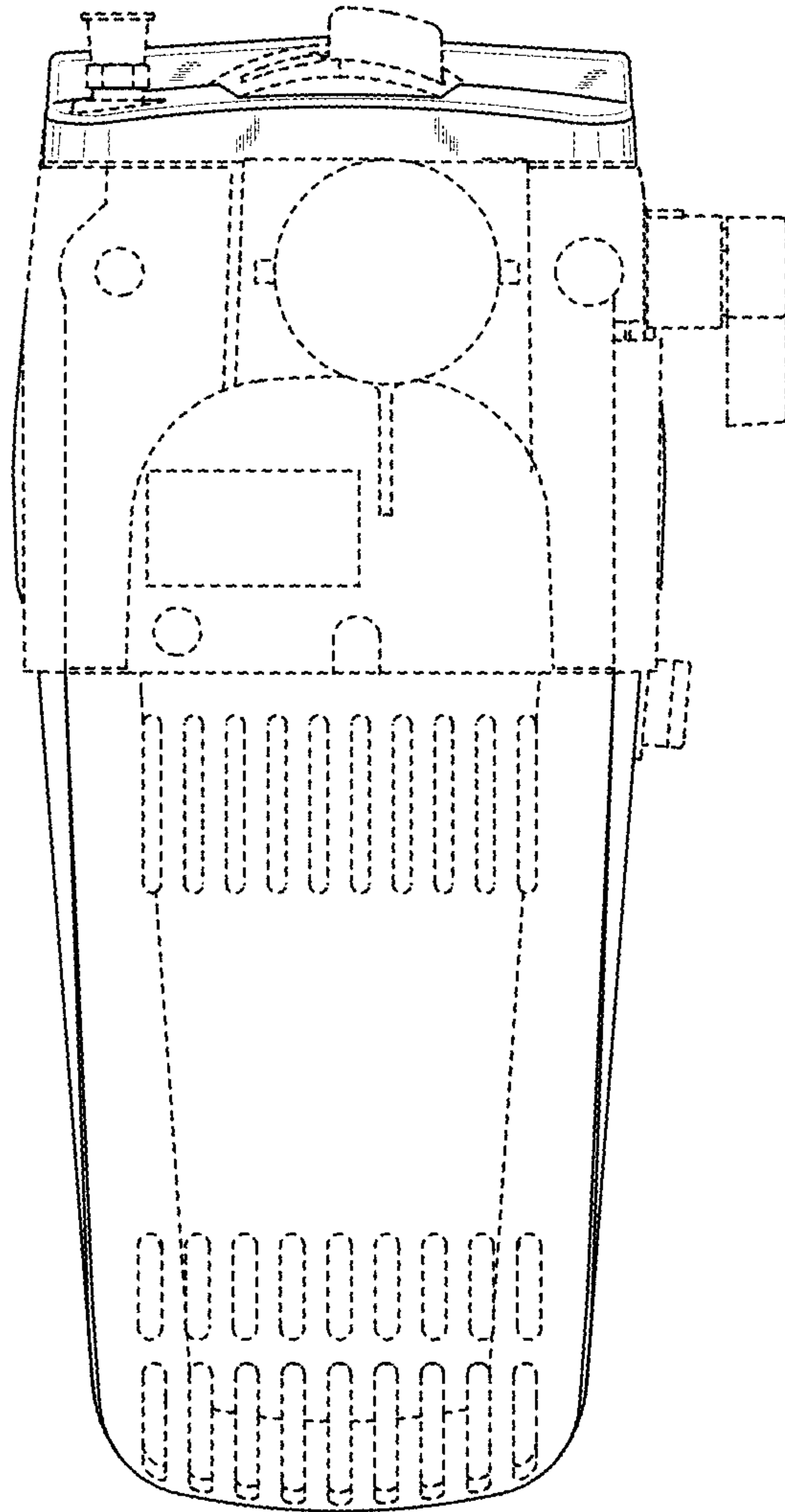


Fig. 5

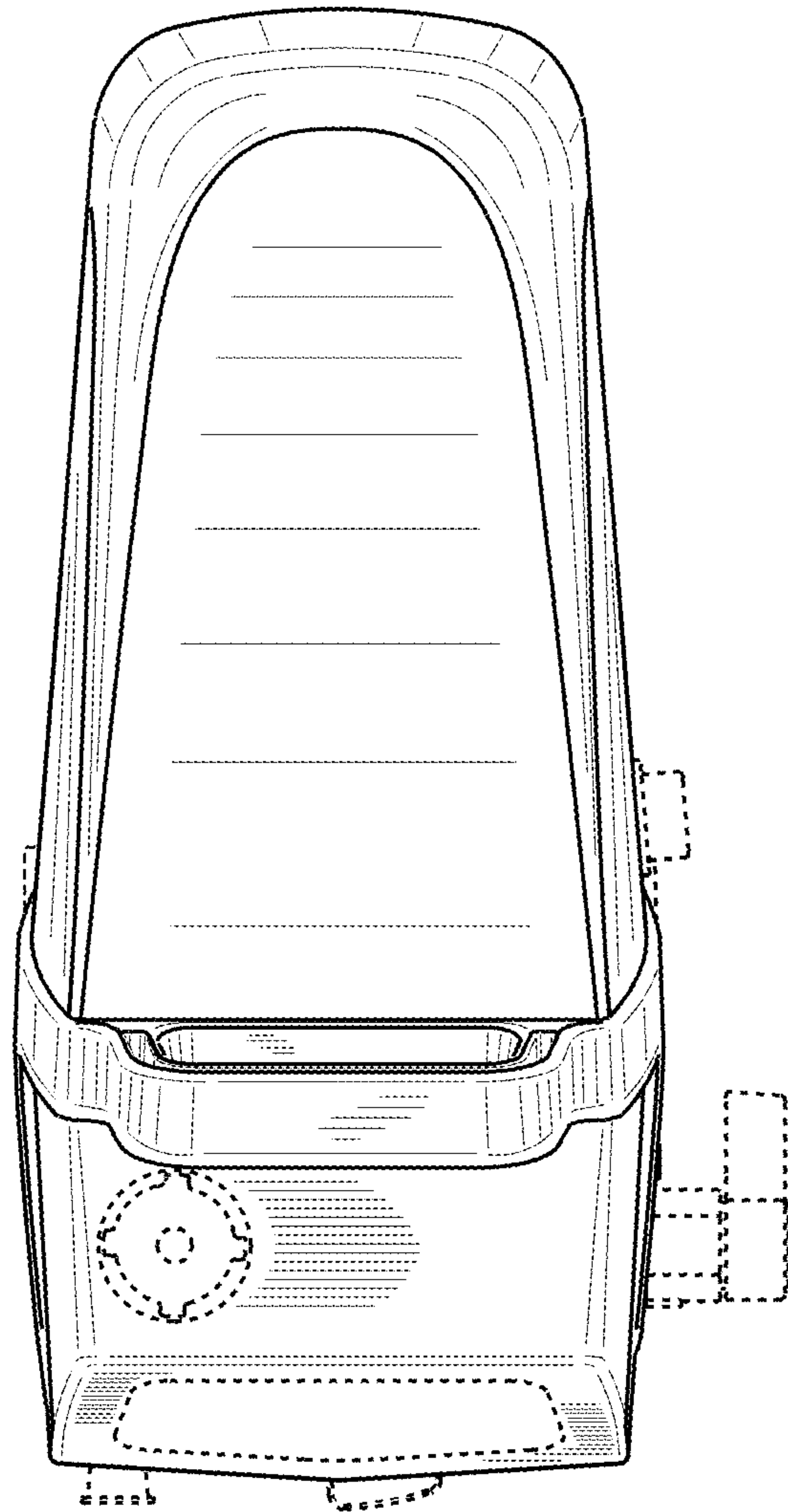


Fig. 6

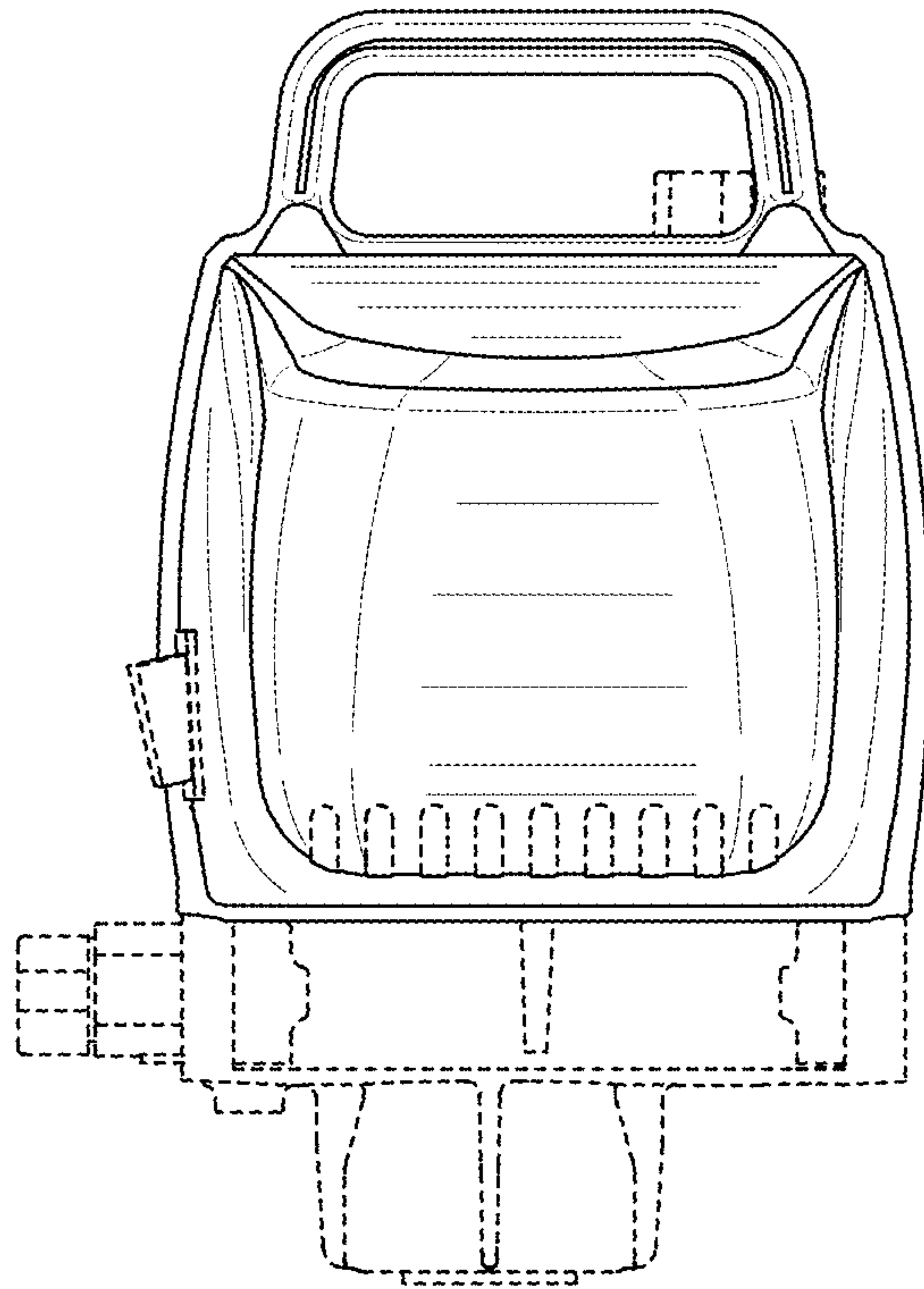


Fig. 7