



US00D700915S

(12) **United States Design Patent**
Damhuis et al.

(10) **Patent No.:** **US D700,915 S**
(45) **Date of Patent:** **** Mar. 11, 2014**

(54) **PUMP**

D625,740 S * 10/2010 Varini D15/7
D644,251 S * 8/2011 Serita D15/7

(75) Inventors: **Karen Elisa Damhuis**, Losser (NL);
Jacques Henk Willem Stevens,
Enschede (NL)

* cited by examiner

(73) Assignee: **Watson-Marlow Bredel B.V.**, Delden
(NL)

Primary Examiner — Ralf Seifert

(**) Term: **14 Years**

(74) *Attorney, Agent, or Firm* — MacMillan, Sobanski &
Todd, LLC

(21) Appl. No.: **29/403,258**

(57) **CLAIM**

(22) Filed: **Oct. 4, 2011**

The ornamental design for a pump, as shown.

(30) **Foreign Application Priority Data**

DESCRIPTION

Apr. 5, 2011 (EM) 001845991

(51) **LOC (10) Cl.** **15-02**

(52) **U.S. Cl.**
USPC **D15/7**

(58) **Field of Classification Search**
USPC D15/7-9; D23/231, 232, 225; 417/60,
417/235, 265, 321, 355, 358, 363, 359,
417/410.1, 415-416, 405, 900; 60/408,
60/412; 184/26-37; 415/140-147;
123/495, 509; D24/111

See application file for complete search history.

FIG. 1 is a perspective view of the top of a pump embodying
our design.

FIG. 2 is another perspective view of the top of a pump
embodying our design.

FIG. 3 is a top plan view thereof.

FIG. 4 is a right side elevational view thereof.

FIG. 5 is a rear side elevational view thereof.

FIG. 6 is a left side elevational view thereof; and,

FIG. 7 is a bottom plan view thereof.

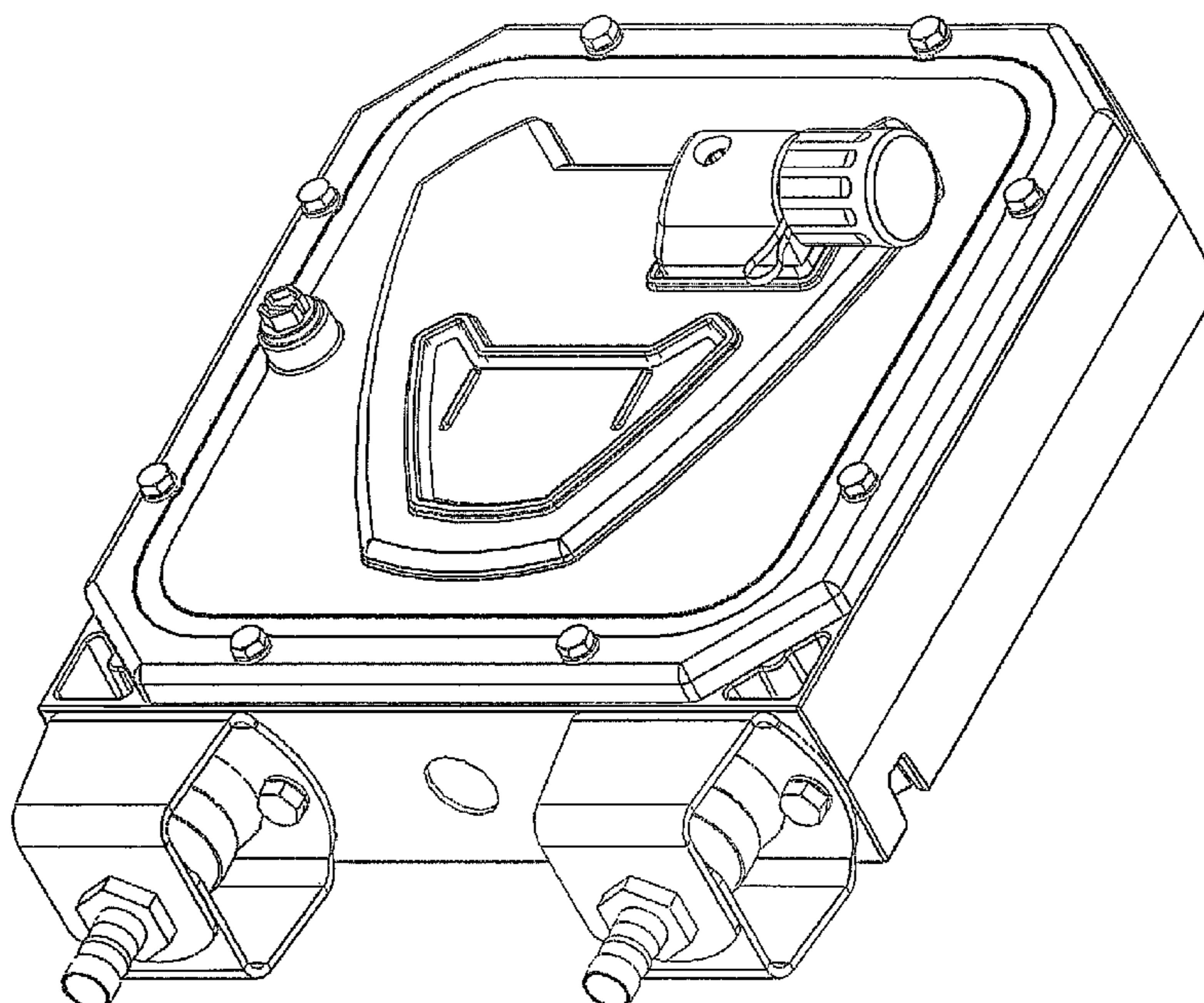
The broken lines in FIG. 7 are included for the purpose of
illustrating portions of the pump that form no part of the
claimed design.

(56) **References Cited**

U.S. PATENT DOCUMENTS

D482,370 S * 11/2003 Niwatsukino et al. D15/7
D484,146 S * 12/2003 Urano et al. D15/7

1 Claim, 7 Drawing Sheets



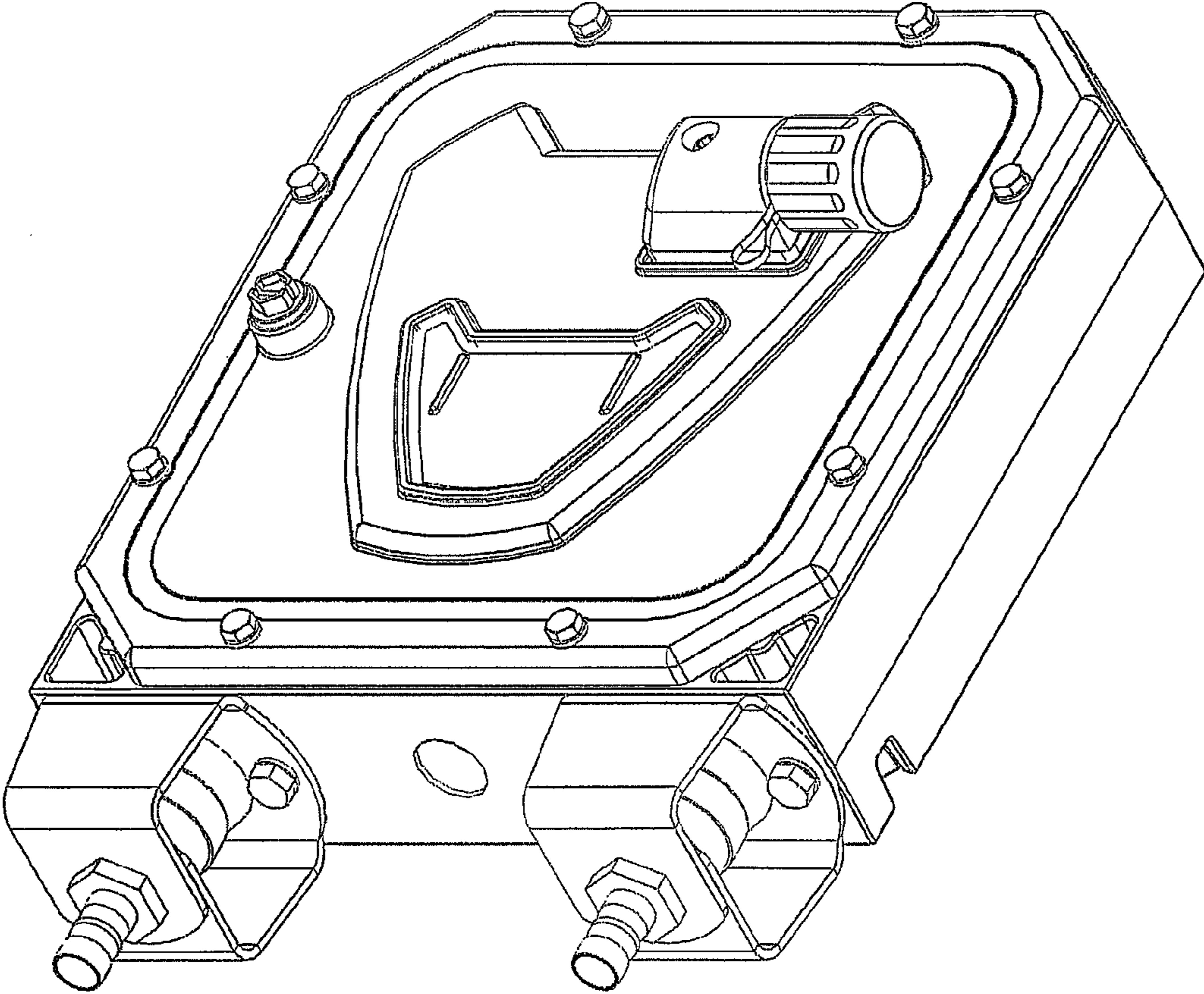


FIG. 1

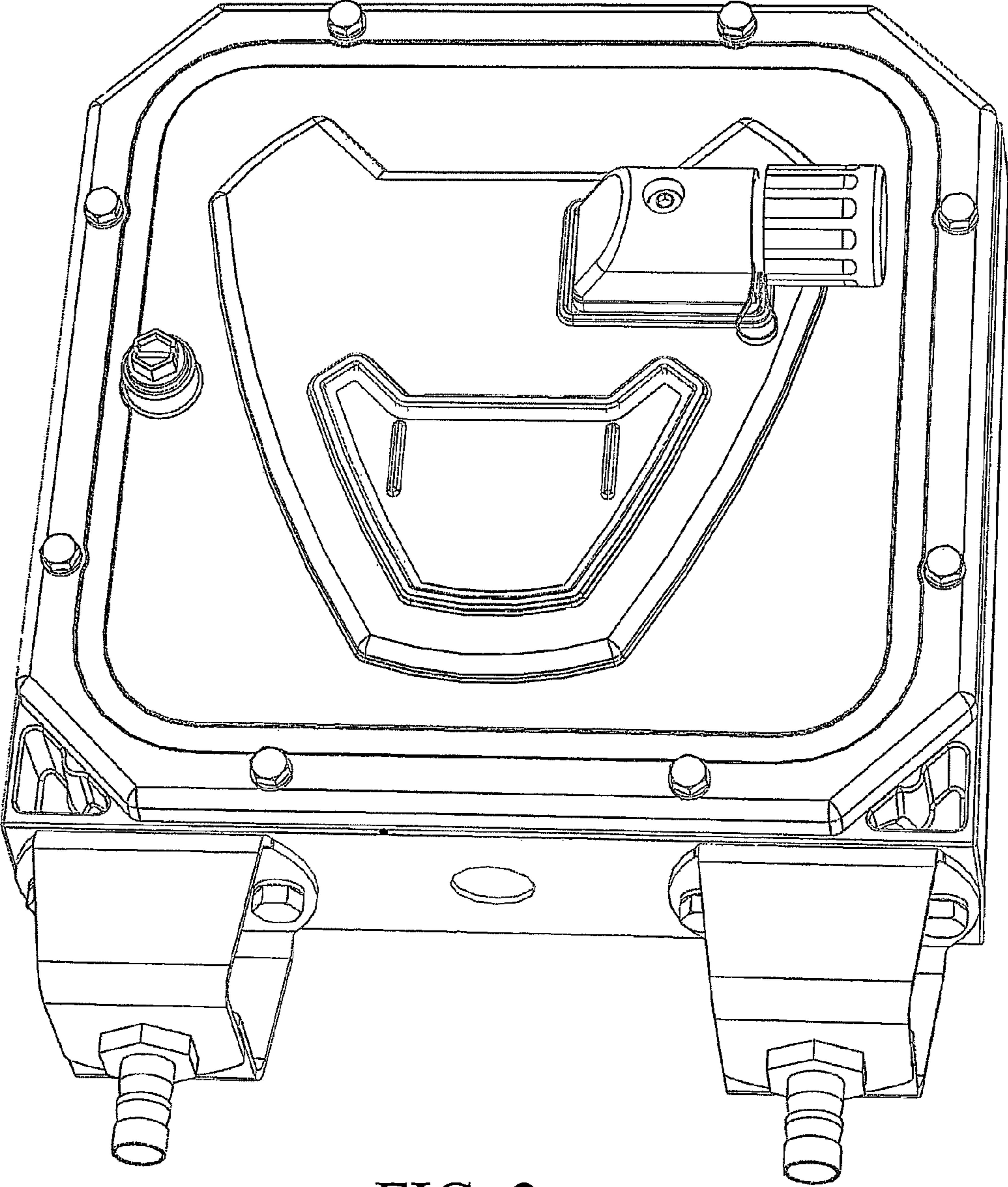


FIG. 2

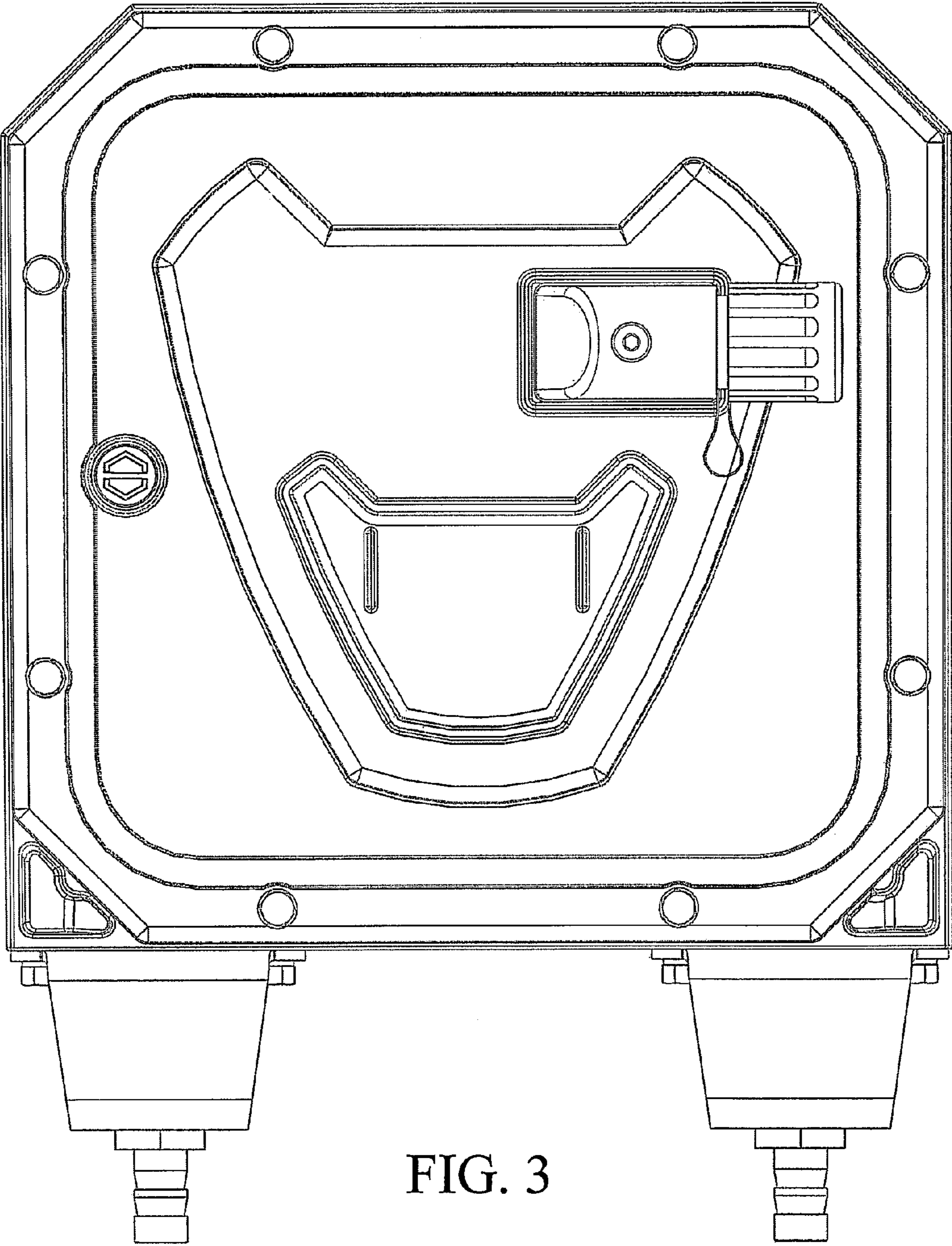


FIG. 3

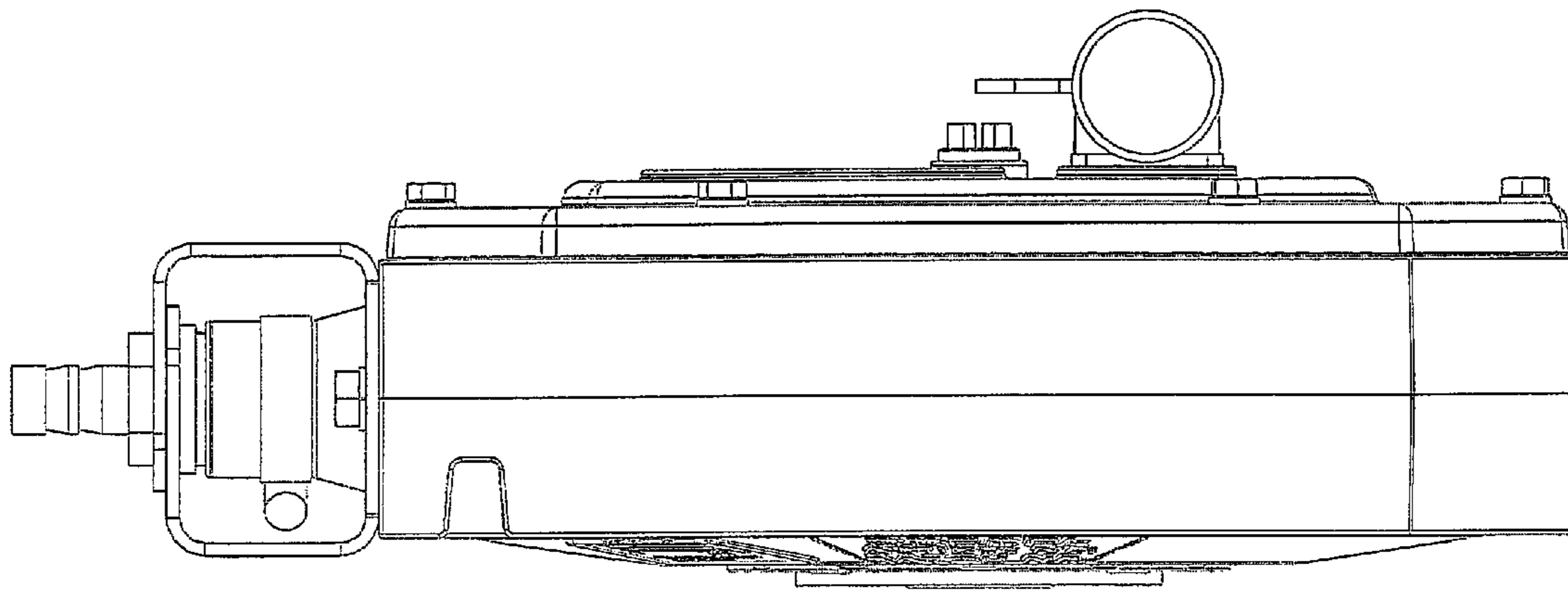


FIG. 4

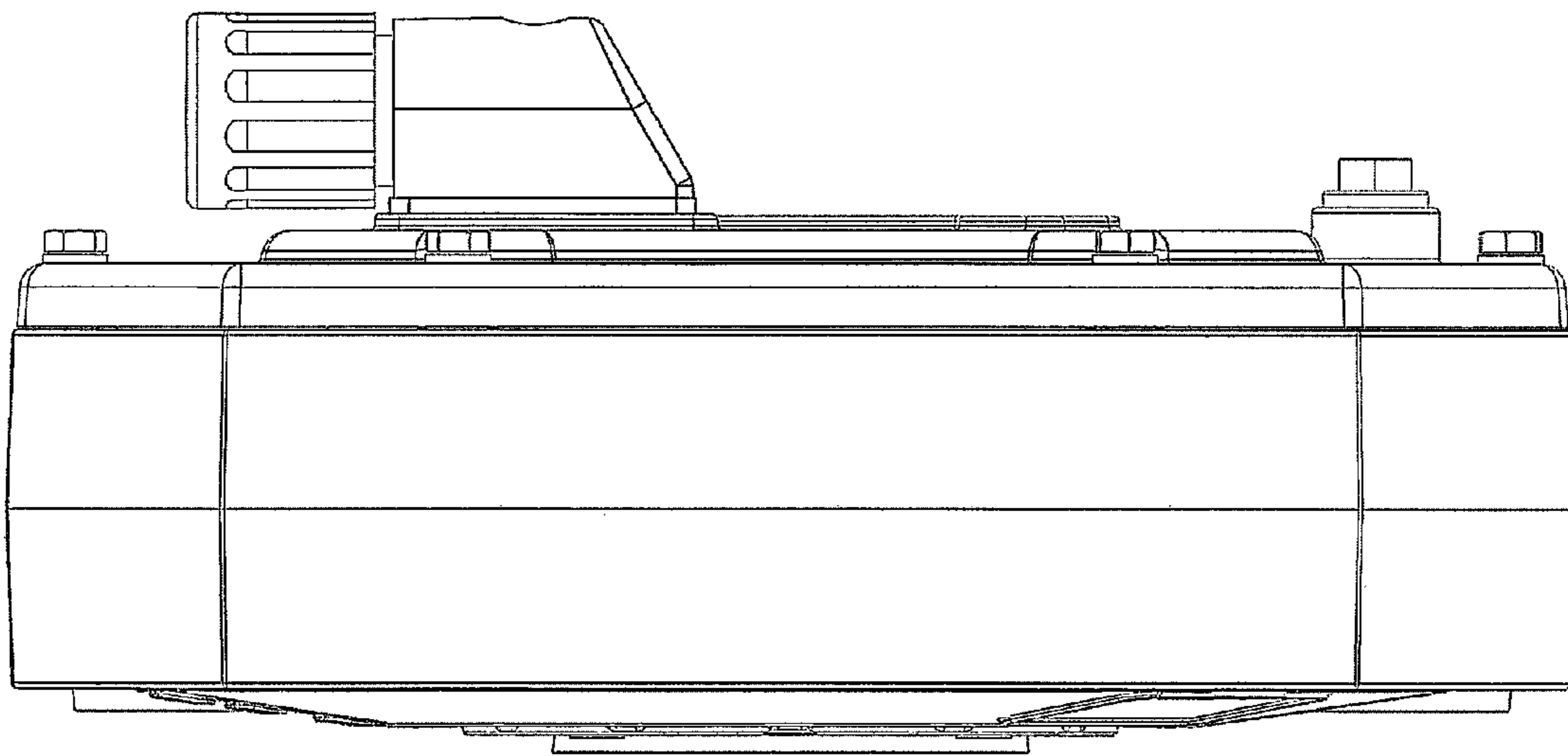


FIG. 5

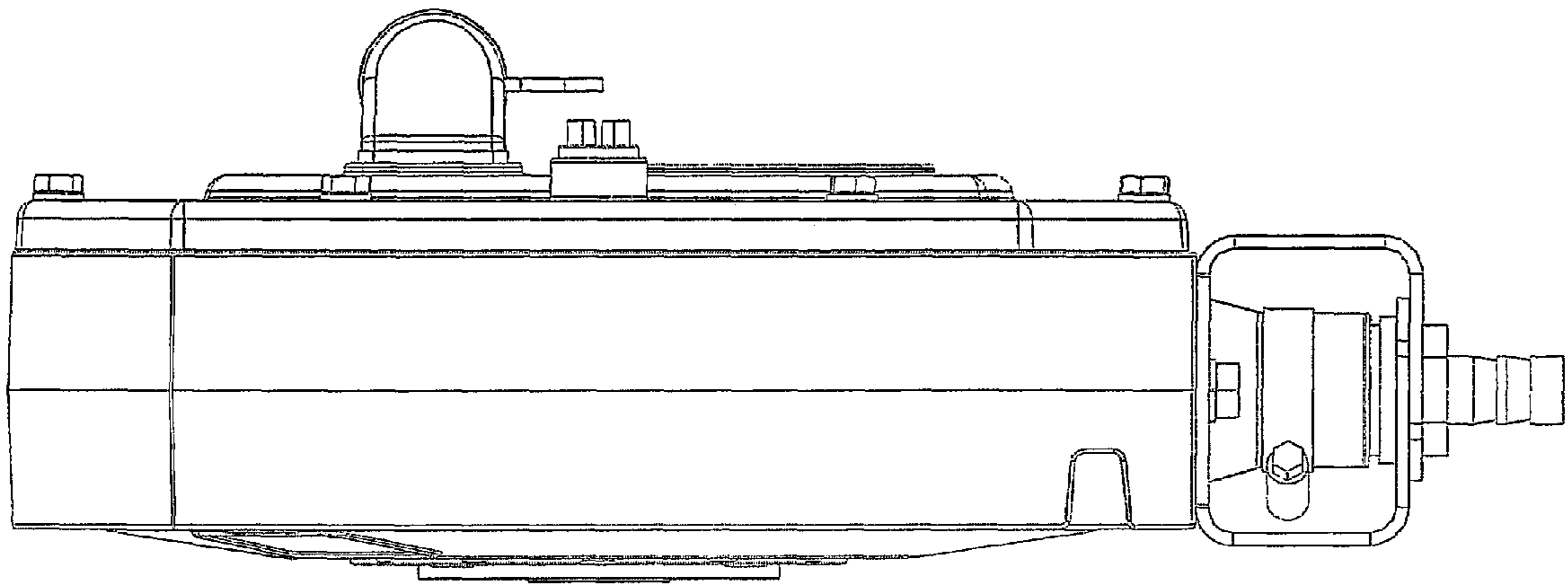


FIG. 6

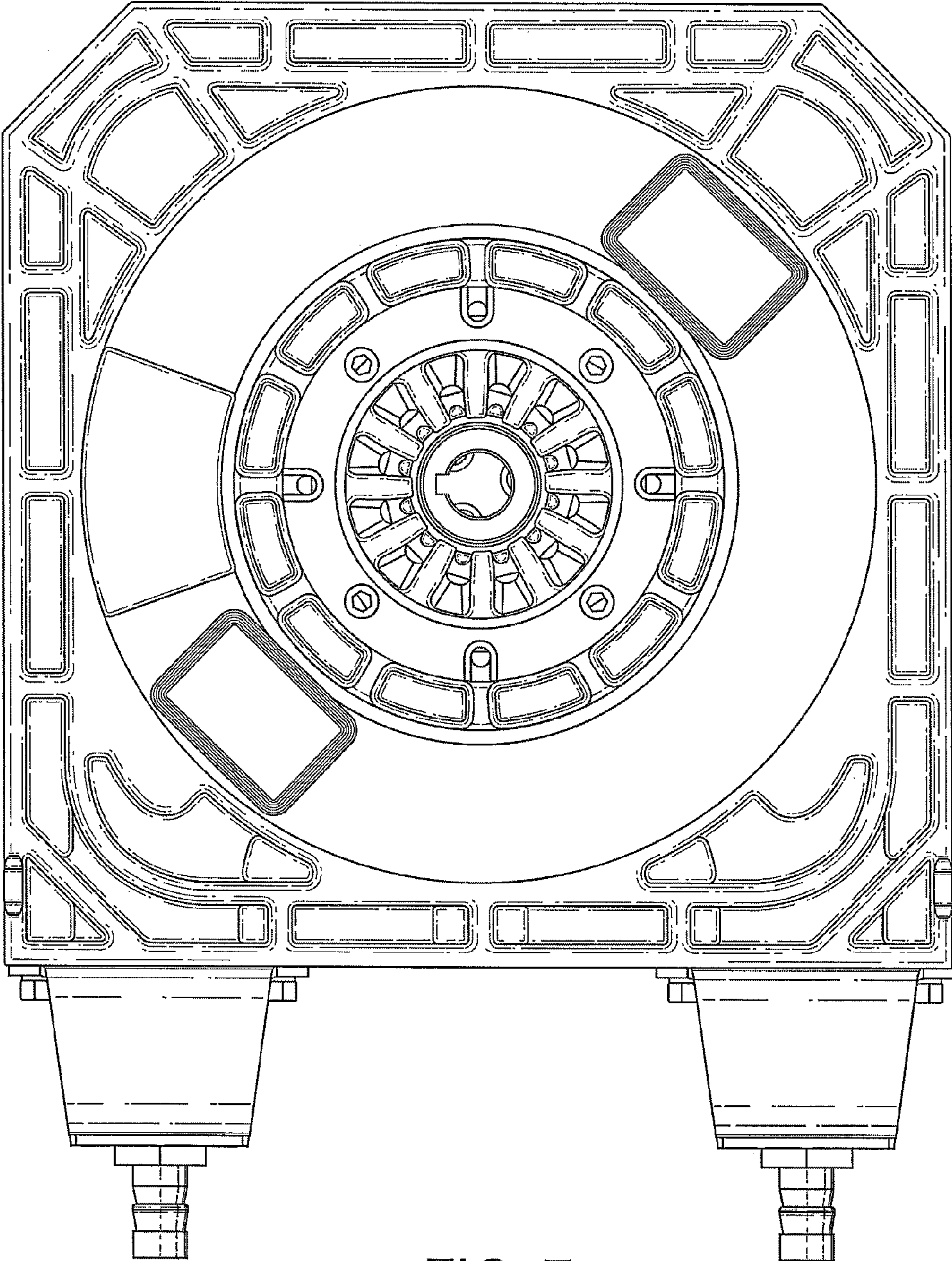


FIG. 7