



US00D700911S

(12) **United States Design Patent**
Jung

(10) **Patent No.:** **US D700,911 S**
(45) **Date of Patent:** **** Mar. 11, 2014**

(54) **DISPLAY SCREEN OR PORTION THEREOF WITH GRAPHICAL USER INTERFACE**

(75) Inventor: **Yong-Chae Jung**, Seoul (KR)

(73) Assignee: **Samsung Electronics Co., Ltd.**, Suwon-si (KR)

(**) Term: **14 Years**

(21) Appl. No.: **29/419,529**

(22) Filed: **Apr. 30, 2012**

(30) **Foreign Application Priority Data**

Nov. 25, 2011 (KR) 30-2011-0049899

(51) **LOC (10) Cl.** **14-04**

(52) **U.S. Cl.**
USPC **D14/485**

(58) **Field of Classification Search**
USPC D14/485-495; 715/703, 706, 715, 716, 715/719, 727, 728, 730, 752, 756, 758, 771, 715/773, 779, 780, 809, 810, 821, 825, 828, 715/835, 838, 839, 840, 864, 972, 975
See application file for complete search history.

(56) **References Cited**

U.S. PATENT DOCUMENTS

D550,684 S * 9/2007 Byeon et al. D14/486
D552,624 S * 10/2007 Pieratt et al. D14/492

D563,425 S * 3/2008 O'Donnell et al. D14/493
D568,902 S * 5/2008 O'Donnell et al. D14/492
D591,763 S * 5/2009 Lee D14/486
D593,572 S * 6/2009 Kwag D14/486
D596,642 S * 7/2009 Rehling et al. D14/485
D607,468 S * 1/2010 Ho D14/486
D614,656 S * 4/2010 Pell et al. D14/492
D617,804 S * 6/2010 Hirsch D14/485
D666,627 S * 9/2012 Lee et al. D14/486
D666,632 S * 9/2012 Spears et al. D14/492
2008/0174568 A1 * 7/2008 Kim 345/173

* cited by examiner

Primary Examiner — Angela J Lee

(74) *Attorney, Agent, or Firm* — NSIP Law

(57) **CLAIM**

The ornamental design for a display screen or portion thereof with graphical user interface, as shown and described.

DESCRIPTION

FIG. 1 is a front view of a display screen or portion thereof with graphical user interface showing my new design; and, FIG. 2 is a front view of the display screen or portion thereof with graphical user interface, in which a mobile terminal in broken lines is provided to illustrate an example environment. The broken line drawing of the mobile terminal, and the text/words, numbers, symbols, and otherwise images shown in broken lines in the display screen or portion thereof with graphical user interface of FIGS. 1 and 2 are for illustrative purposes only and form no part of the claimed design.

1 Claim, 2 Drawing Sheets

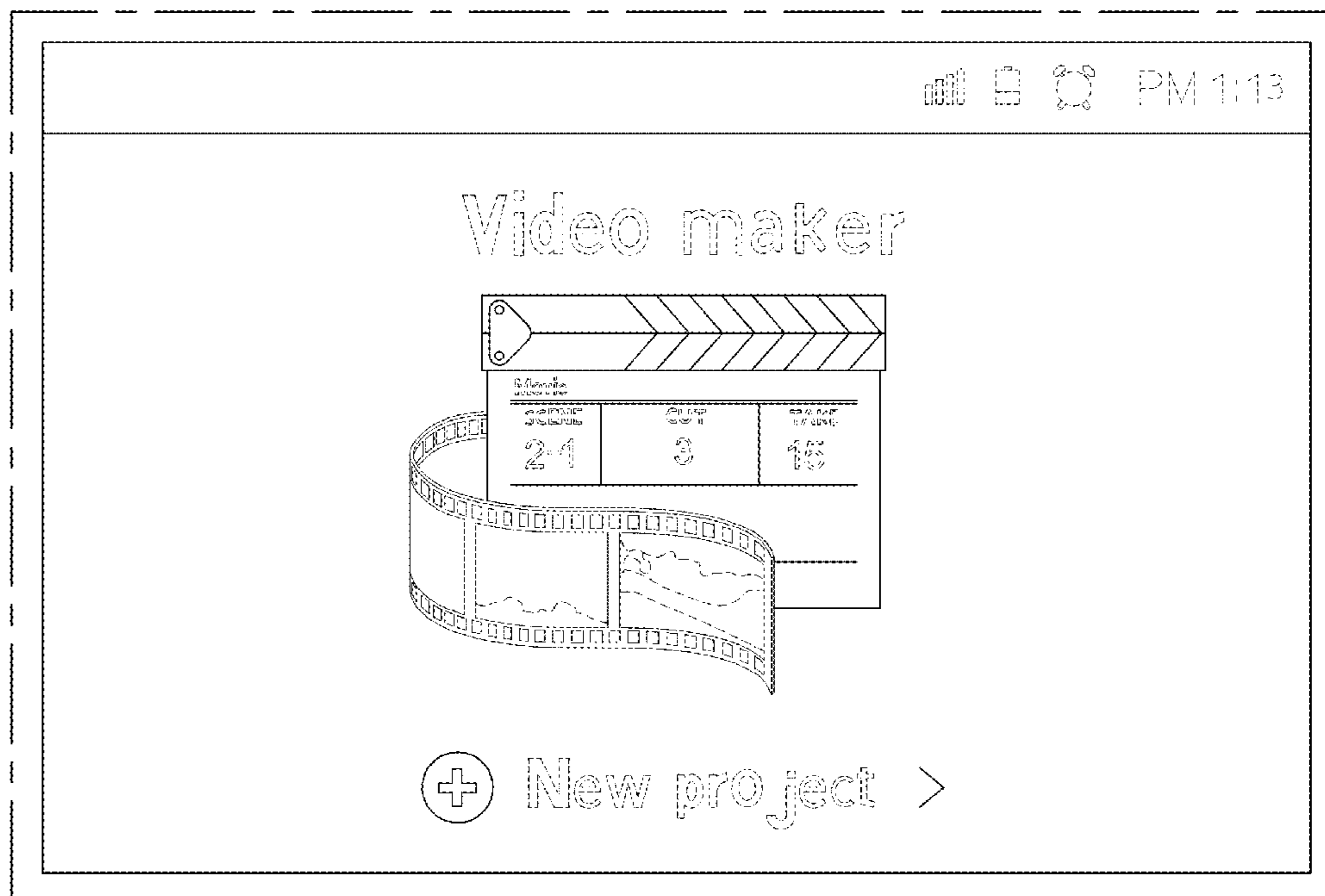


FIG. 1

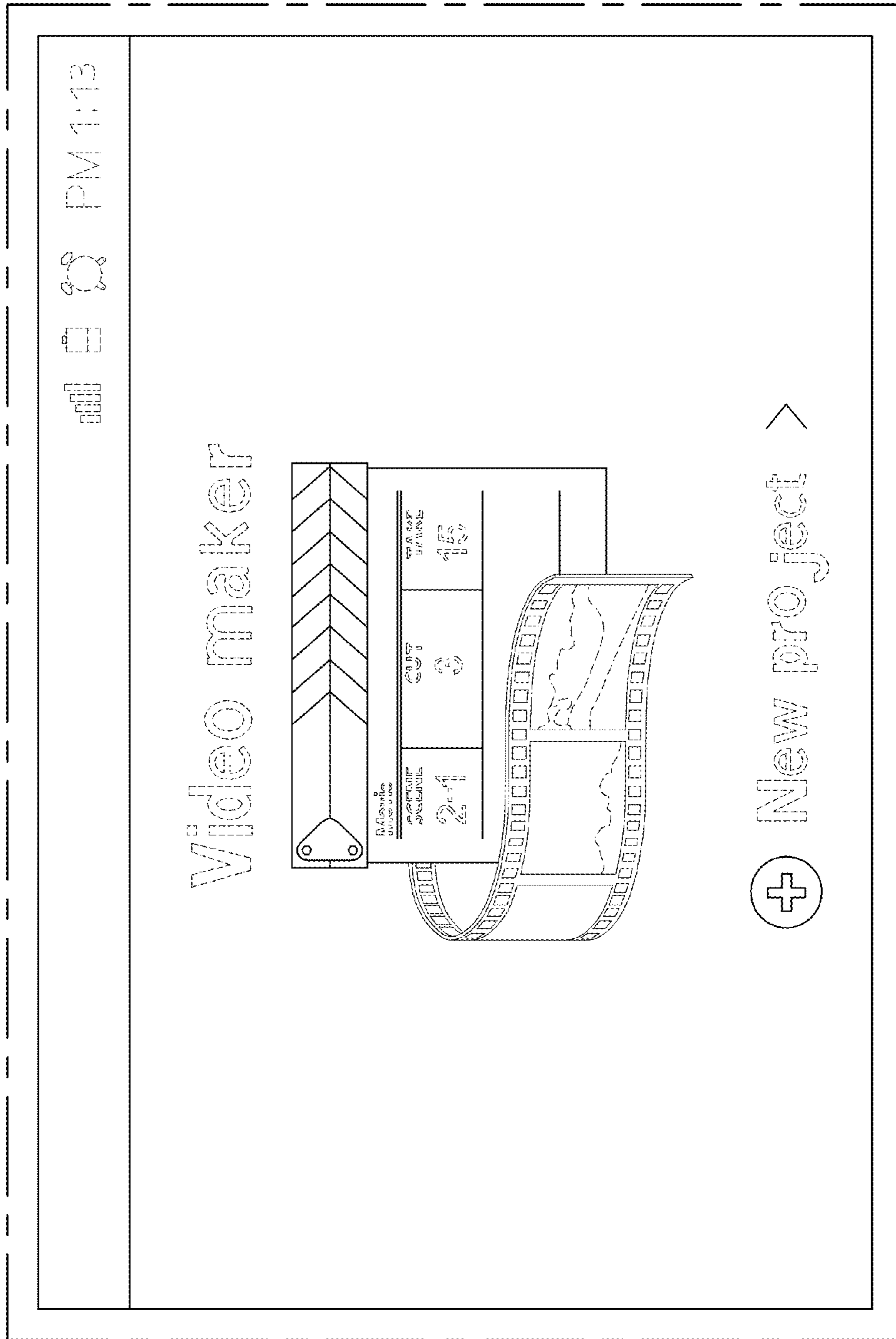


FIG. 2

